



US00D783292S

(12) **United States Design Patent**
Chang

(10) **Patent No.:** **US D783,292 S**

(45) **Date of Patent:** **** Apr. 11, 2017**

- (54) **HAIRBRUSH**
- (71) Applicant: **ZUNA CORPORATION**, Seoul (KR)
- (72) Inventor: **Kyeh Bong Chang**, Seoul (KR)
- (73) Assignee: **ZUNA CORPORATION**, Seoul (KR)
- (**) Term: **15 Years**
- (21) Appl. No.: **29/557,654**
- (22) Filed: **Mar. 10, 2016**
- (51) **LOC (10) Cl.** **04-02**
- (52) **U.S. Cl.**
USPC **D4/128**
- (58) **Field of Classification Search**
USPC D4/100, 127, 128, 129, 130, 131, 132,
D4/133, 134, 135, 136, 137, 138, 199;
15/143.1, 159.1, 160, 186, 187, 188,
15/207.2
CPC .. A46B 7/04; A46B 9/10; A46B 3/005; A46B
15/002; A46B 15/0051; A46B 2200/104;
A45B 5/00; A46D 1/00
See application file for complete search history.

- 2,496,010 A * 1/1950 Lotters A46B 15/00
15/172
 - 2,854,684 A * 10/1958 Hardman A46B 3/12
15/143.1
 - 3,314,096 A * 4/1967 Berliner A46B 7/04
132/107
 - D260,563 S * 9/1981 Walsh, Jr. 15/160
 - 4,500,939 A * 2/1985 Gueret A46B 3/005
15/187
 - D283,852 S * 5/1986 Hsu D4/136
 - D288,989 S * 3/1987 Camardello D4/138
 - D384,058 S * 9/1997 Pinon D4/121
 - 6,308,717 B1 * 10/2001 Vrtaric A46B 9/023
132/129
 - D460,271 S * 7/2002 Denebeim D4/124
- (Continued)

FOREIGN PATENT DOCUMENTS

- EM 001731795-0002 * 8/2010
- Primary Examiner* — Karen E Eldridge Powers
- (74) *Attorney, Agent, or Firm* — IPLA P.A.; James E. Bame

(57) **CLAIM**

The ornamental design for a hairbrush, as shown and described.

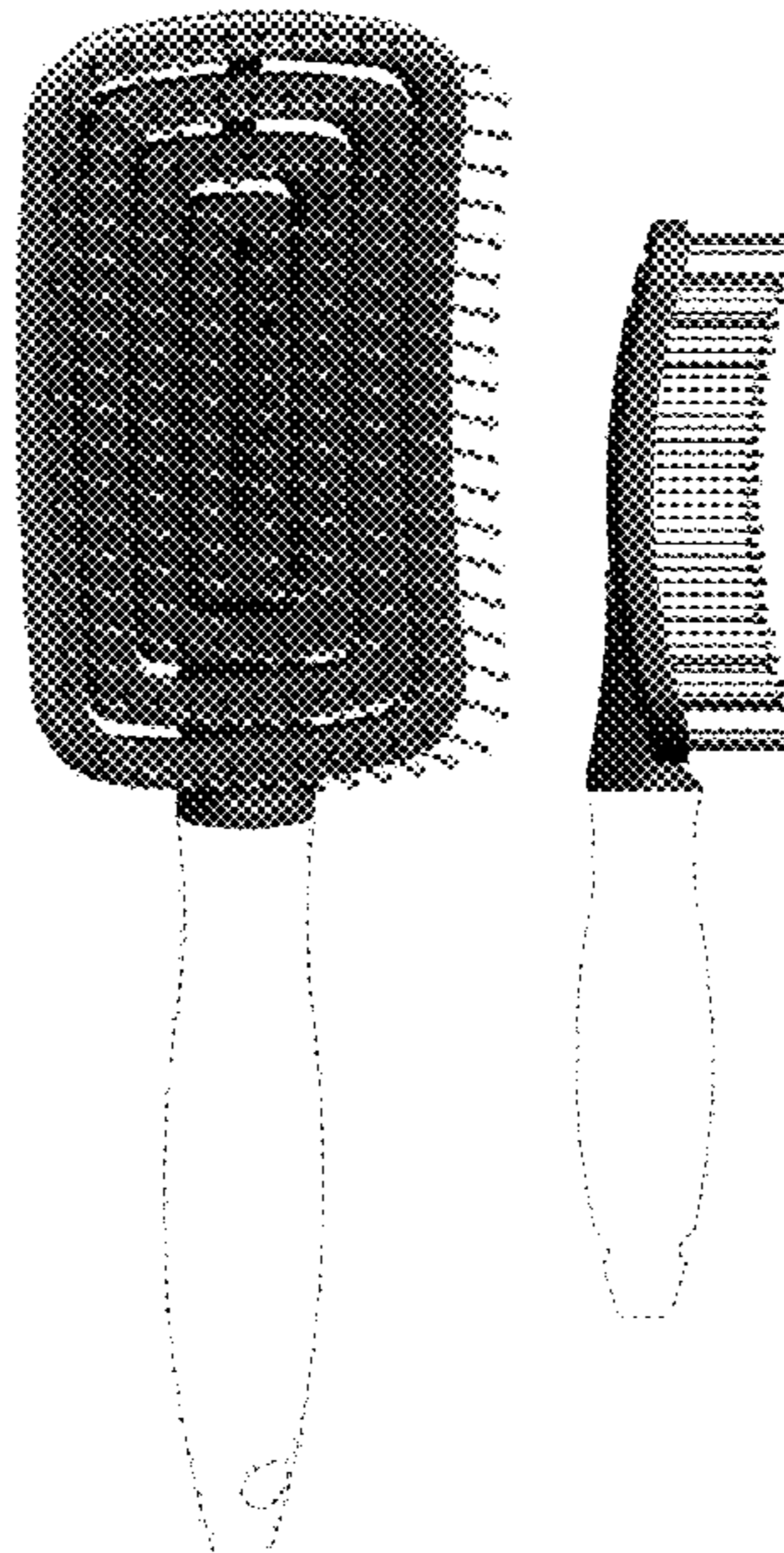
DESCRIPTION

FIG. 1 is a perspective view of my new design;
 FIG. 2 is a front elevational view thereof;
 FIG. 3 is a rear elevational view thereof;
 FIG. 4 is a side elevational view thereof, the opposite side being a mirror image;
 FIG. 5 is a top plan view thereof; and,
 FIG. 6 is a bottom plan view thereof.
 In the drawings, the broken lines depict environmental subject matter only and form no part of the claimed design.

1 Claim, 3 Drawing Sheets

(56) **References Cited**
U.S. PATENT DOCUMENTS

- D26,973 S * 4/1897 Shepherd D4/134
- D29,167 S * 8/1898 Shepherd D4/127
- 614,335 A * 11/1898 Newman A46B 7/04
15/176.5
- 825,910 A * 7/1906 Kleinsorgen A46B 7/06
15/201
- D97,424 S * 11/1935 Wewetzer D4/134
- 2,122,090 A * 6/1938 Creighton A46B 5/00
15/244.1
- 2,267,498 A * 12/1941 Foliot A46B 11/0013
15/105



(56)

References Cited

U.S. PATENT DOCUMENTS

6,618,893 B1 * 9/2003 Wang A46B 3/20
132/152
D509,962 S * 9/2005 Kampel D4/133
D543,704 S * 6/2007 Leung D4/133
7,316,045 B2 * 1/2008 Koke A46B 17/06
132/119
7,797,782 B2 * 9/2010 Davis A45D 24/00
15/143.1
7,845,360 B2 * 12/2010 Walters A45D 24/22
132/108
8,020,244 B2 * 9/2011 Mashiko A46B 5/0095
15/167.1
8,826,918 B2 * 9/2014 Hornbach A45D 44/02
132/200
8,857,005 B2 * 10/2014 Shim A46B 15/00
132/119
D739,660 S * 9/2015 Rennette D4/138
D749,326 S * 2/2016 Rennette D4/121
D774,780 S * 12/2016 Sullivan D4/136
2009/0114238 A1 * 5/2009 Hornbach A46B 15/0085
132/210
2013/0131559 A1 * 5/2013 Vandenbelt A61N 5/0617
601/2

* cited by examiner

FIG. 1

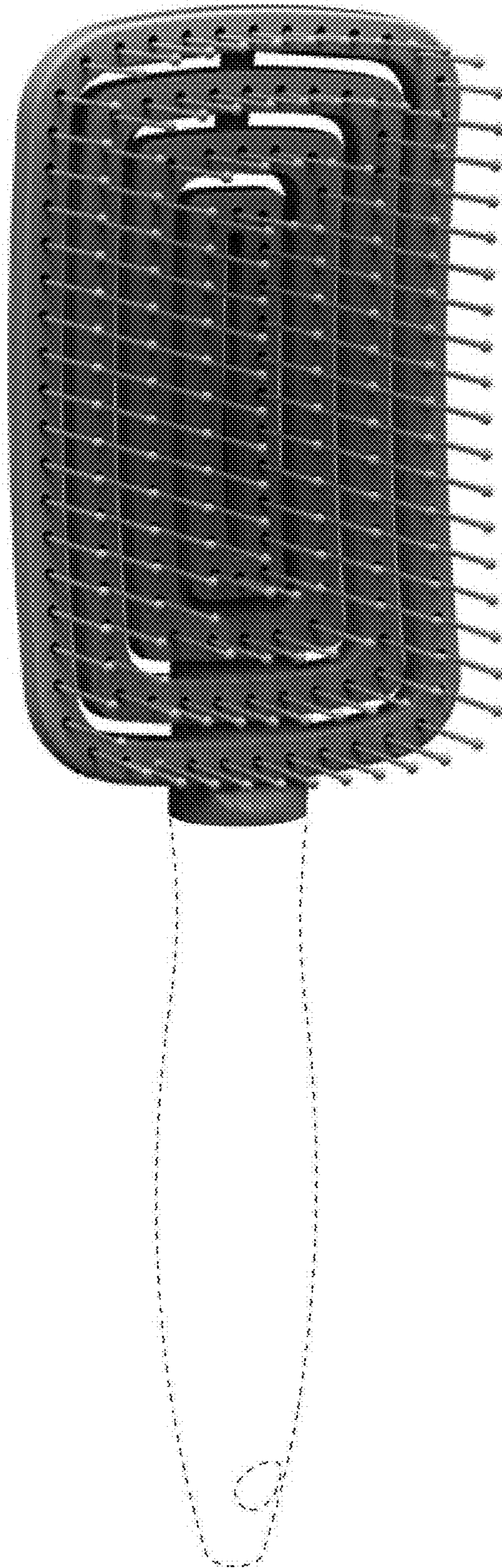


FIG. 2

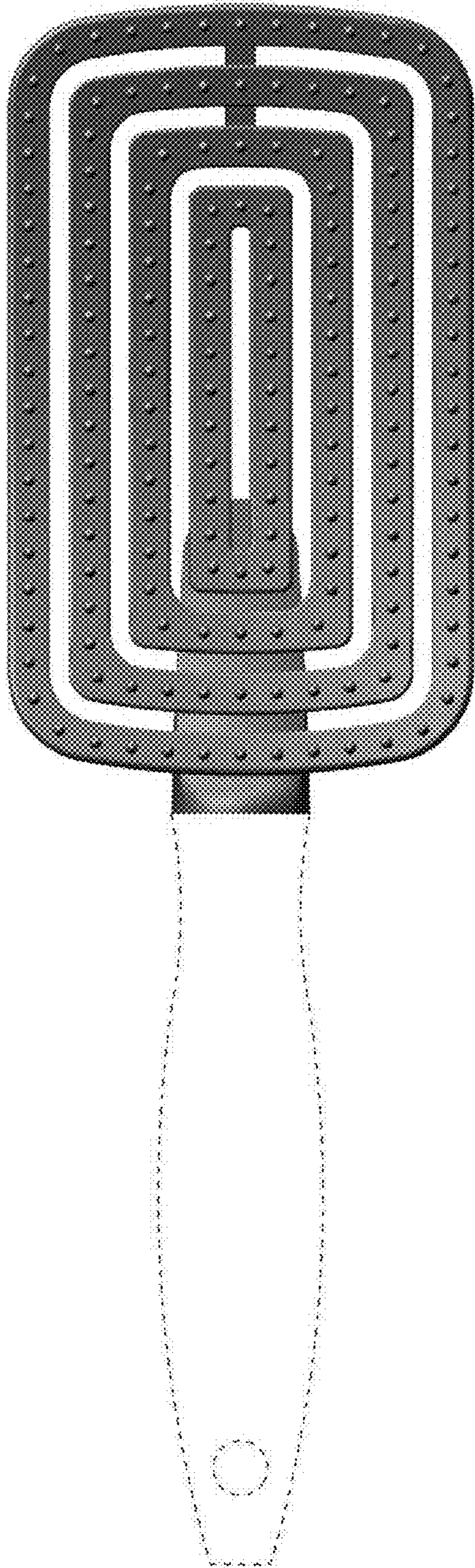


FIG. 3

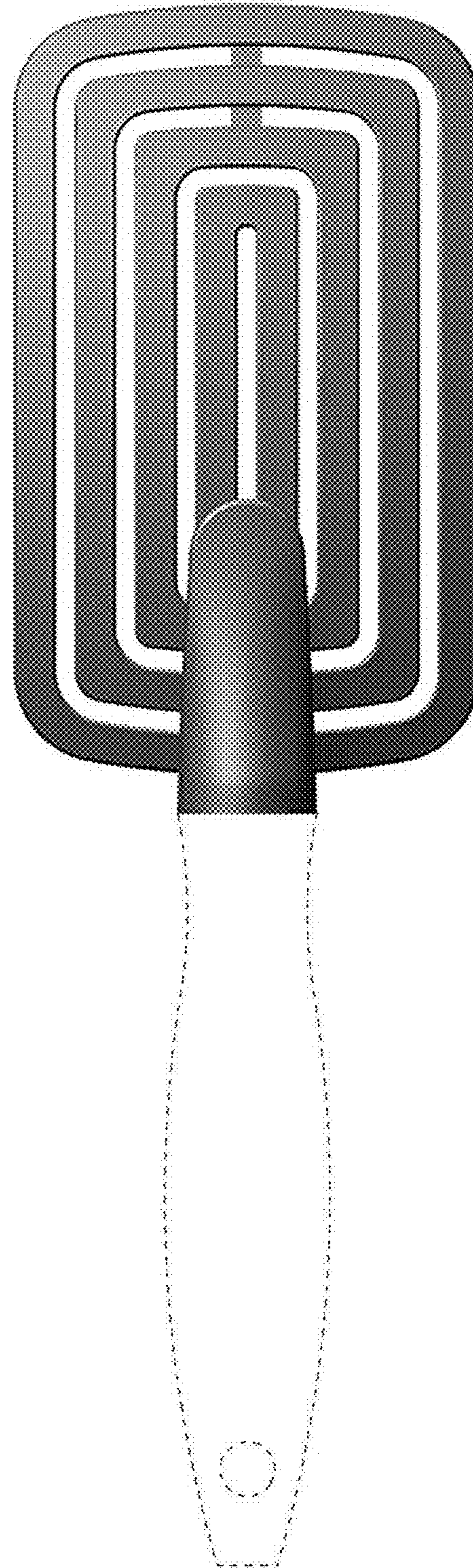


FIG. 4

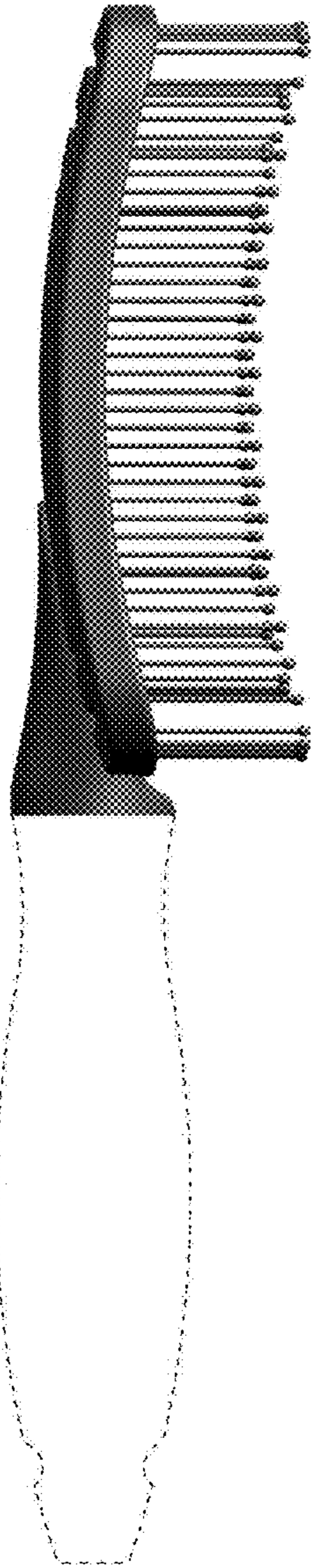


FIG. 5

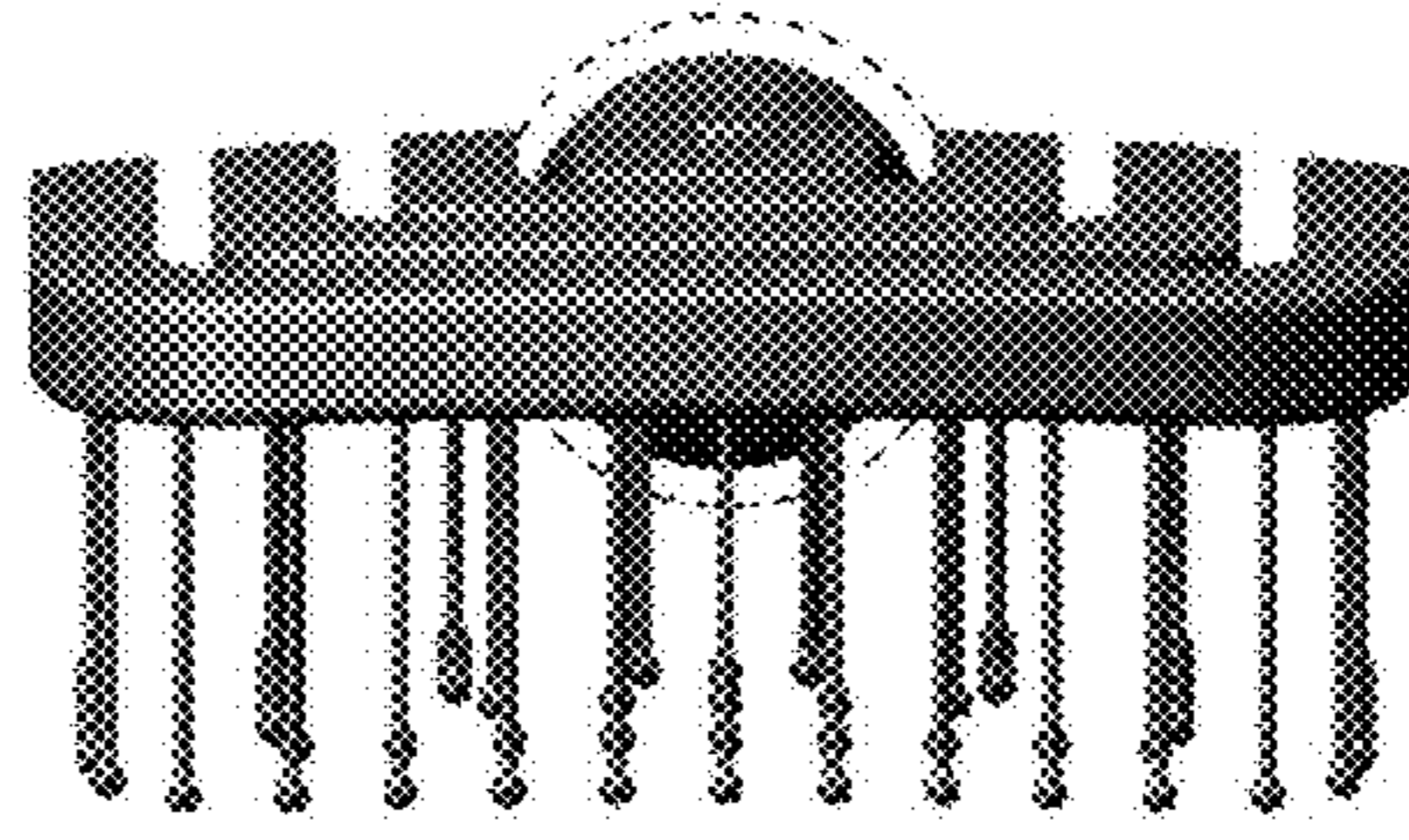


FIG. 6

