



US00D783291S

(12) **United States Design Patent**
Lin

(10) **Patent No.:** **US D783,291 S**

(45) **Date of Patent:** **** Apr. 11, 2017**

(54) **COSMETIC BRUSH**

(71) Applicant: **Yuju Lin**, Shenzhen (CN)

(72) Inventor: **Yuju Lin**, Shenzhen (CN)

(**) Term: **15 Years**

(21) Appl. No.: **29/568,176**

(22) Filed: **Jun. 15, 2016**

(51) **LOC (10) Cl.** **04-02**

(52) **U.S. Cl.**
USPC **D4/127**

(58) **Field of Classification Search**
USPC D4/102, 114, 116, 121, 127, 128, 131,
D4/132, 133, 134, 135, 138, 199; D28/7
CPC A46B 9/021; A46B 5/021; A46B 5/0095;
A46B 2200/1046; A46B 15/0087; A46B
5/00; A46B 3/02; A46B 3/12; A46D 1/00
See application file for complete search history.

(56) **References Cited**

U.S. PATENT DOCUMENTS

- D306,493 S * 3/1990 Pessis D28/7
- 4,917,132 A * 4/1990 Tuchman A45D 33/26
132/316
- 4,998,315 A * 3/1991 Pessis A45D 40/265
132/320
- D626,338 S * 11/2010 Ajootian D4/135
- D632,089 S * 2/2011 Limongi D4/135

- 8,104,132 B2 * 1/2012 Mink A45D 40/262
15/160
- D749,858 S * 2/2016 Snook D4/135
- 2004/0003478 A1 * 1/2004 Mink A46B 9/028
15/160

FOREIGN PATENT DOCUMENTS

- CN 201030106533.0 * 8/2010
- CN 201530022507.2 * 2/2016
- CN 2016300006617.4 * 6/2016

* cited by examiner

Primary Examiner — Karen E Eldridge Powers
(74) *Attorney, Agent, or Firm* — Matthias Scholl, PC;
Matthias Scholl

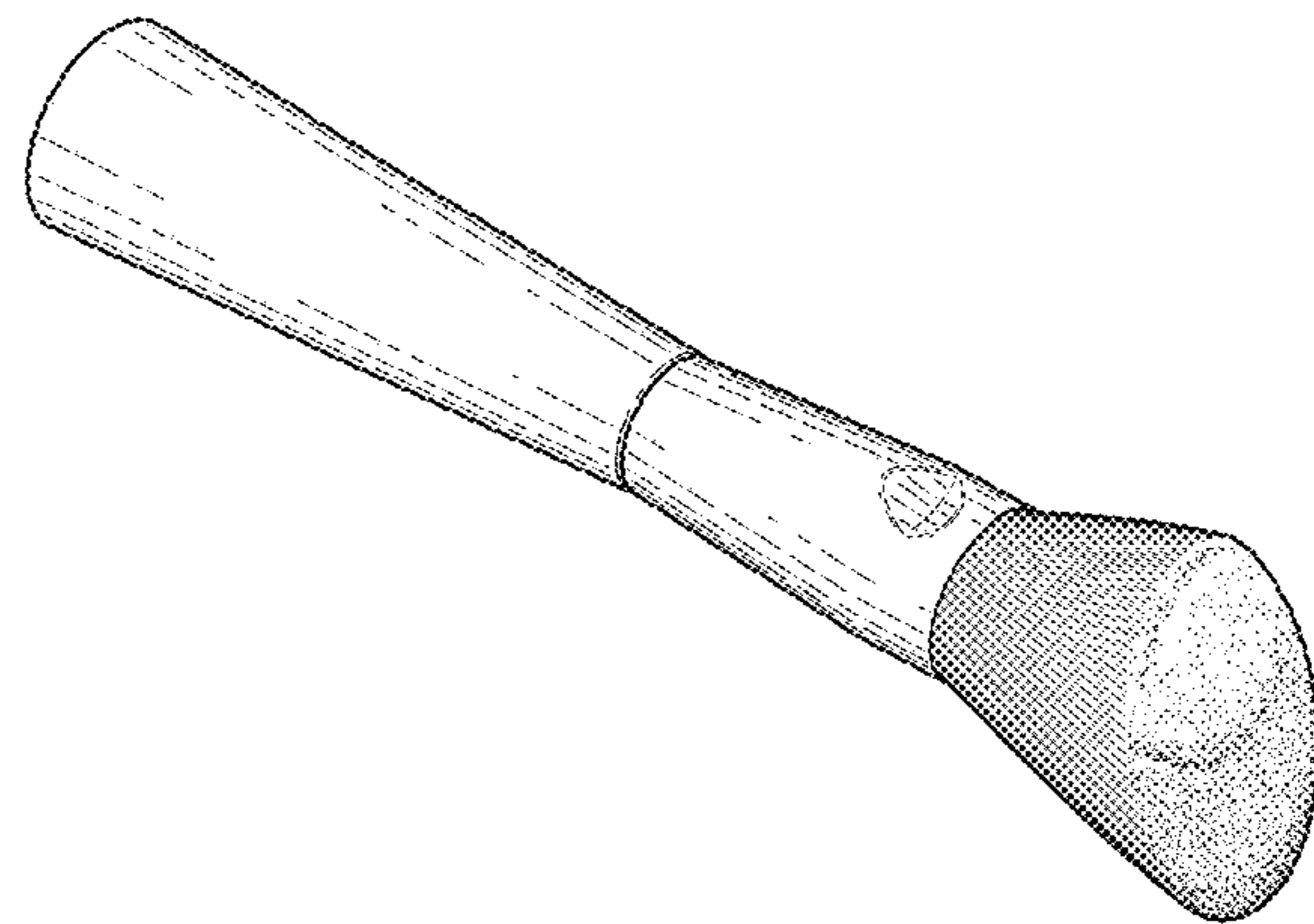
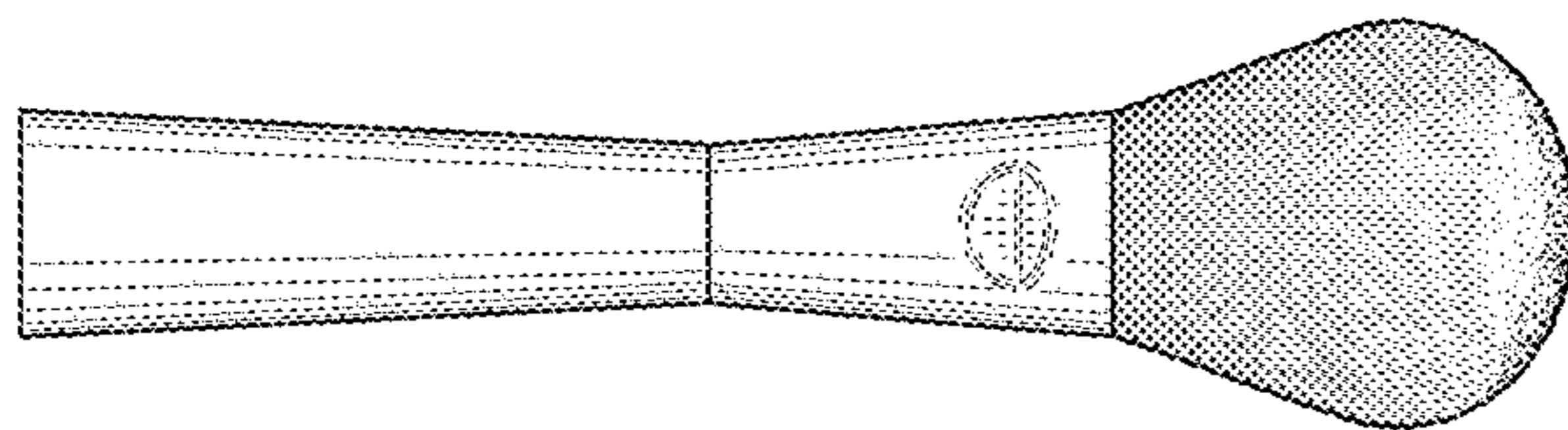
(57) **CLAIM**

The ornamental design for a cosmetic brush, as shown and described.

DESCRIPTION

FIG. 1 is a front elevational view of a cosmetic brush;
FIG. 2 is a rear elevational view thereof;
FIG. 3 is a left side elevational view thereof;
FIG. 4 is a right side elevational view thereof;
FIG. 5 is a top plan view thereof;
FIG. 6 is a bottom plan view thereof; and,
FIG. 7 is a perspective view thereof.

1 Claim, 7 Drawing Sheets



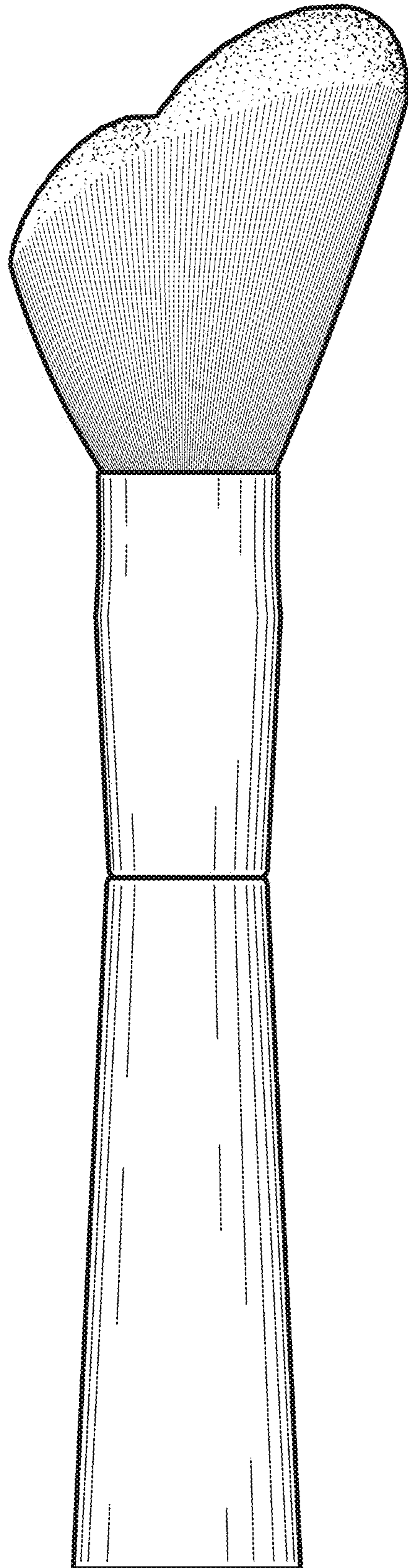


FIG. 1

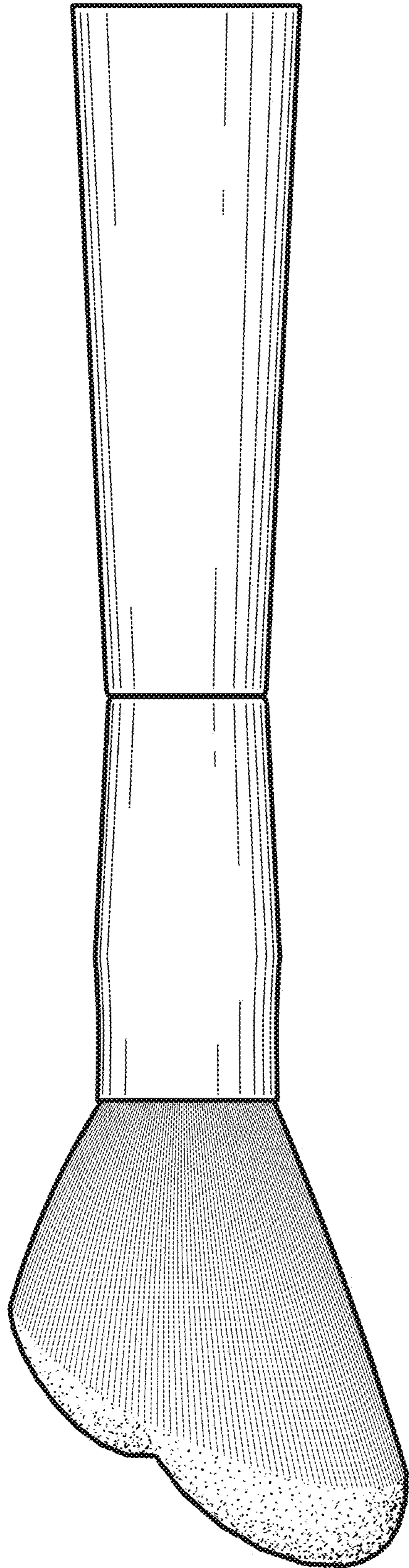


FIG. 2

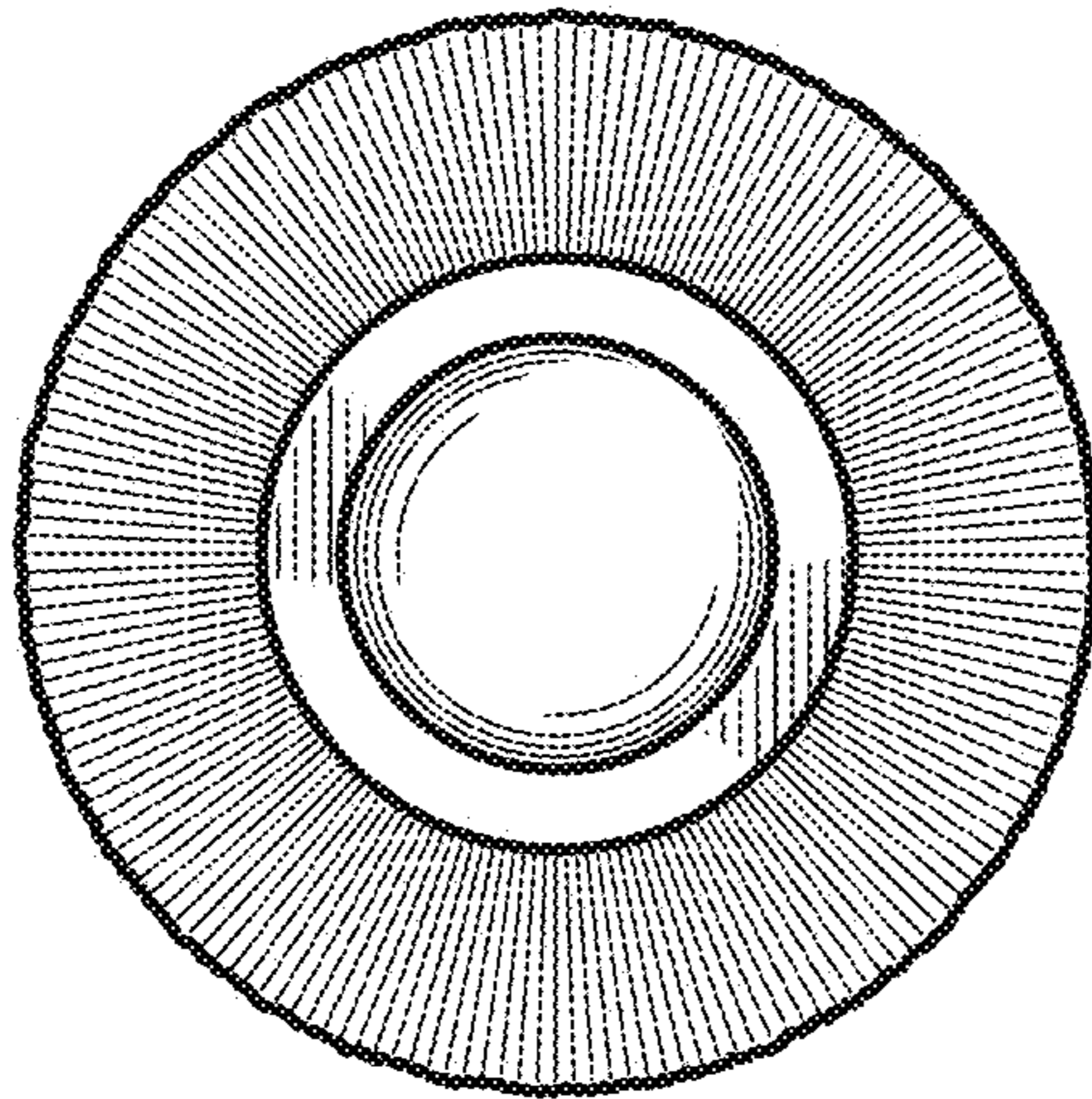


FIG. 3

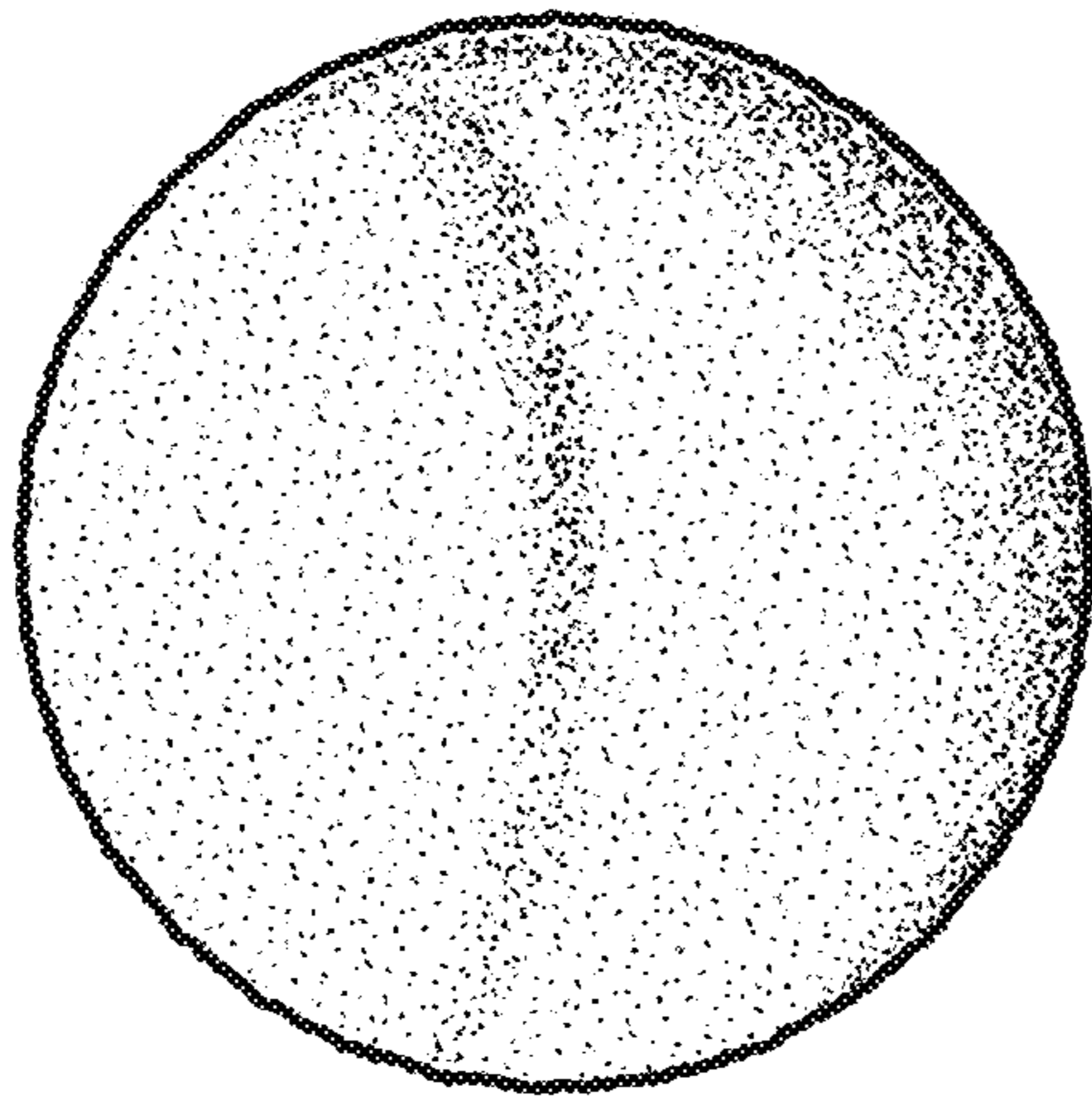


FIG. 4

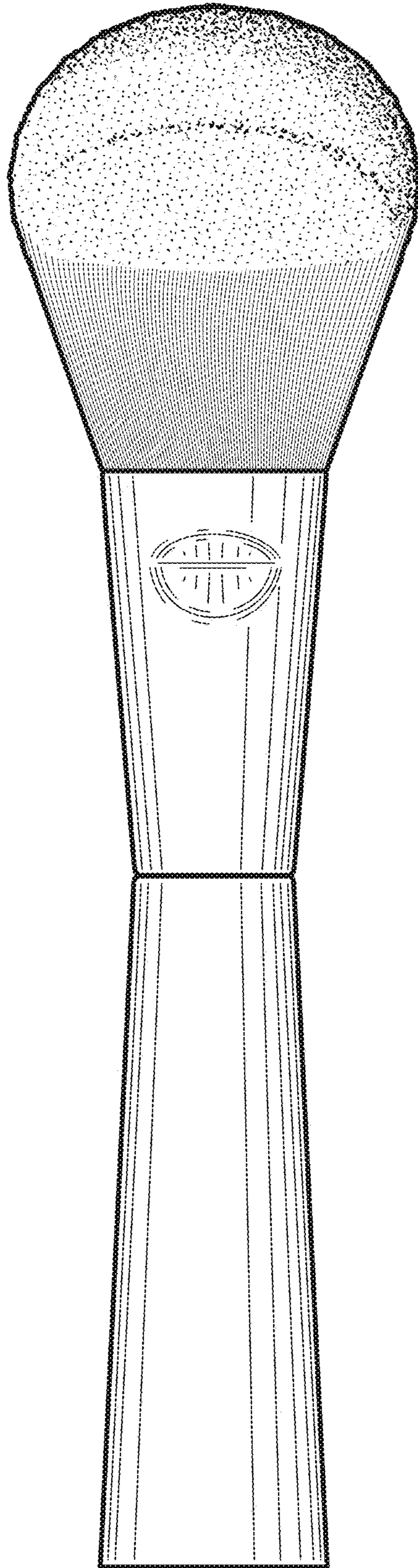


FIG. 5

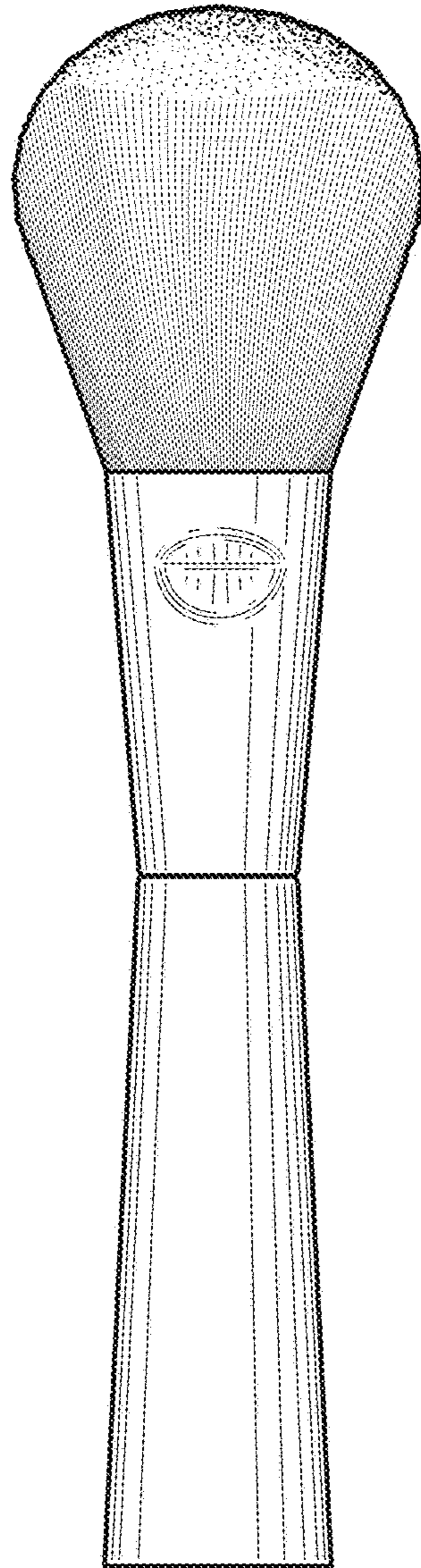


FIG. 6

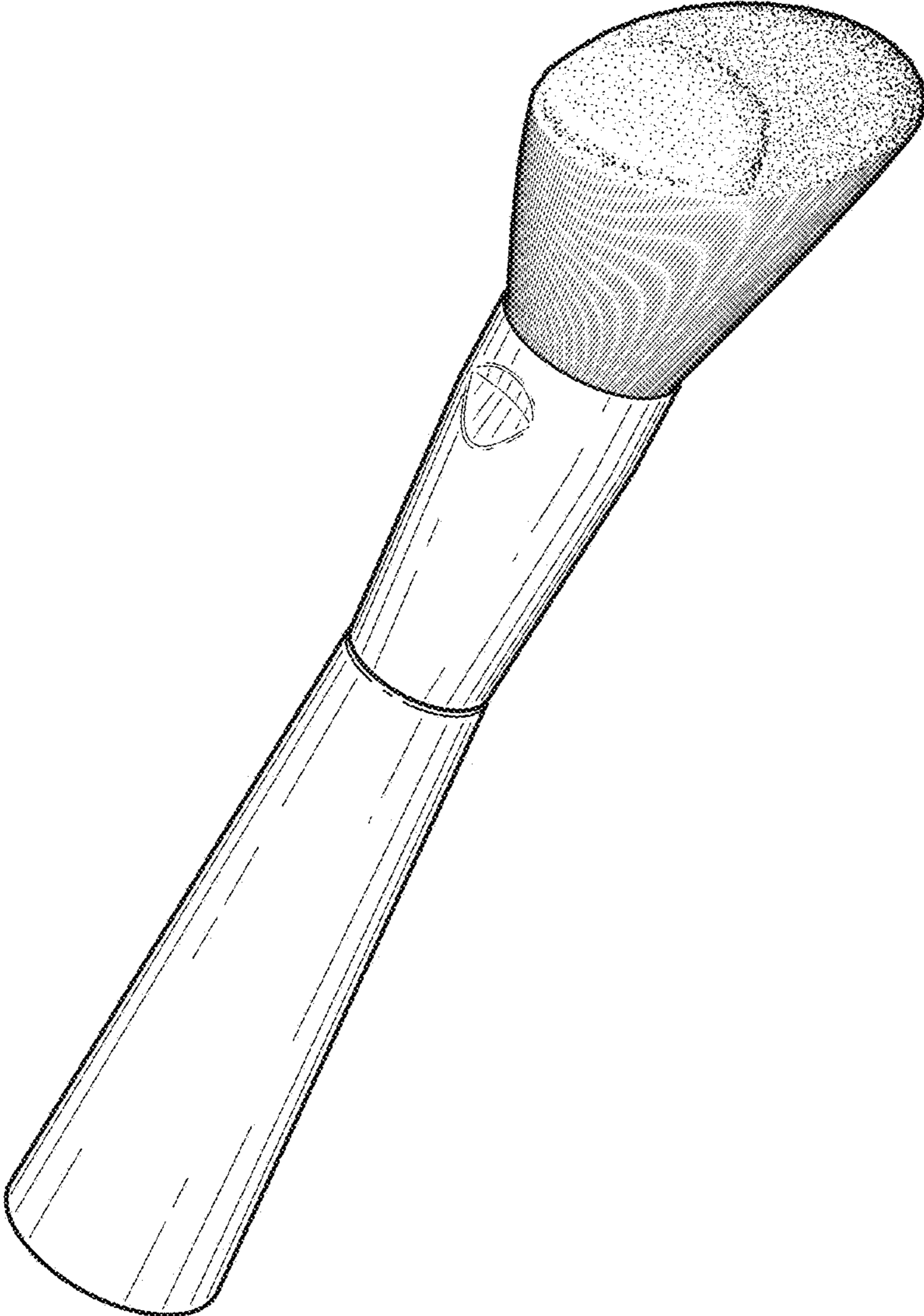


FIG. 7