



US00D783288S

(12) **United States Design Patent** (10) **Patent No.:** **US D783,288 S**
Starck (45) **Date of Patent:** **** Apr. 11, 2017**

(54) **TOTE BAG**

(71) Applicant: **Philippe Starck**, Cascais (PT)

(72) Inventor: **Philippe Starck**, Cascais (PT)

(**) Term: **14 Years**

(21) Appl. No.: **29/511,687**

(22) Filed: **Dec. 12, 2014**

(30) **Foreign Application Priority Data**

Jun. 12, 2014 (WO) DM/83794

(51) **LOC (10) Cl.** **03-03**

(52) **U.S. Cl.**

USPC **D3/315; D3/283**

(58) **Field of Classification Search**

USPC D3/315, 279, 283, 285, 289, 301

CPC ... A45C 13/103; A45C 13/262; A45C 13/385;
A45C 5/14; A45C 2003/008; A45C
2005/035

See application file for complete search history.

(56) **References Cited**

U.S. PATENT DOCUMENTS

D362,548 S * 9/1995 King D3/276

D387,625 S * 12/1997 Kai Fai D3/279

D444,297 S 7/2001 Starck

D444,298 S 7/2001 Starck

D444,945 S 7/2001 Starck

D447,863 S 9/2001 Starck

D448,928 S 10/2001 Starck

6,604,617 B2 * 8/2003 Davis A45C 5/02
190/107

6,883,654 B2 * 4/2005 Godshaw A45C 7/0054
190/107

D645,662 S * 9/2011 Perez D3/216

D647,301 S * 10/2011 Sosnovsky D3/283

D648,533 S * 11/2011 Sosnovsky D3/283

D648,938 S * 11/2011 Meersschaert D3/279

D679,090 S * 4/2013 Du D3/279

D680,739 S * 4/2013 Hock D3/289

D685,575 S * 7/2013 Cullen D3/272

D688,455 S * 8/2013 Boldetti D3/279

D688,457 S * 8/2013 Harris D3/285

D688,458 S * 8/2013 Harris D3/285

D719,353 S * 12/2014 Tan D3/315

D723,277 S * 3/2015 Van Migem D3/315

D723,278 S * 3/2015 Van Migem D3/315

2005/0034947 A1 * 2/2005 Nykoluk A45C 13/385
190/18 A

2006/0254952 A1 * 11/2006 Trevino A45C 5/06
206/581

2012/0006640 A1 * 1/2012 Santy A45C 5/14
190/18 A

* cited by examiner

Primary Examiner — Charles Hanson
(74) *Attorney, Agent, or Firm* — Avery N. Goldstein;
Blue Filament Law PLLC

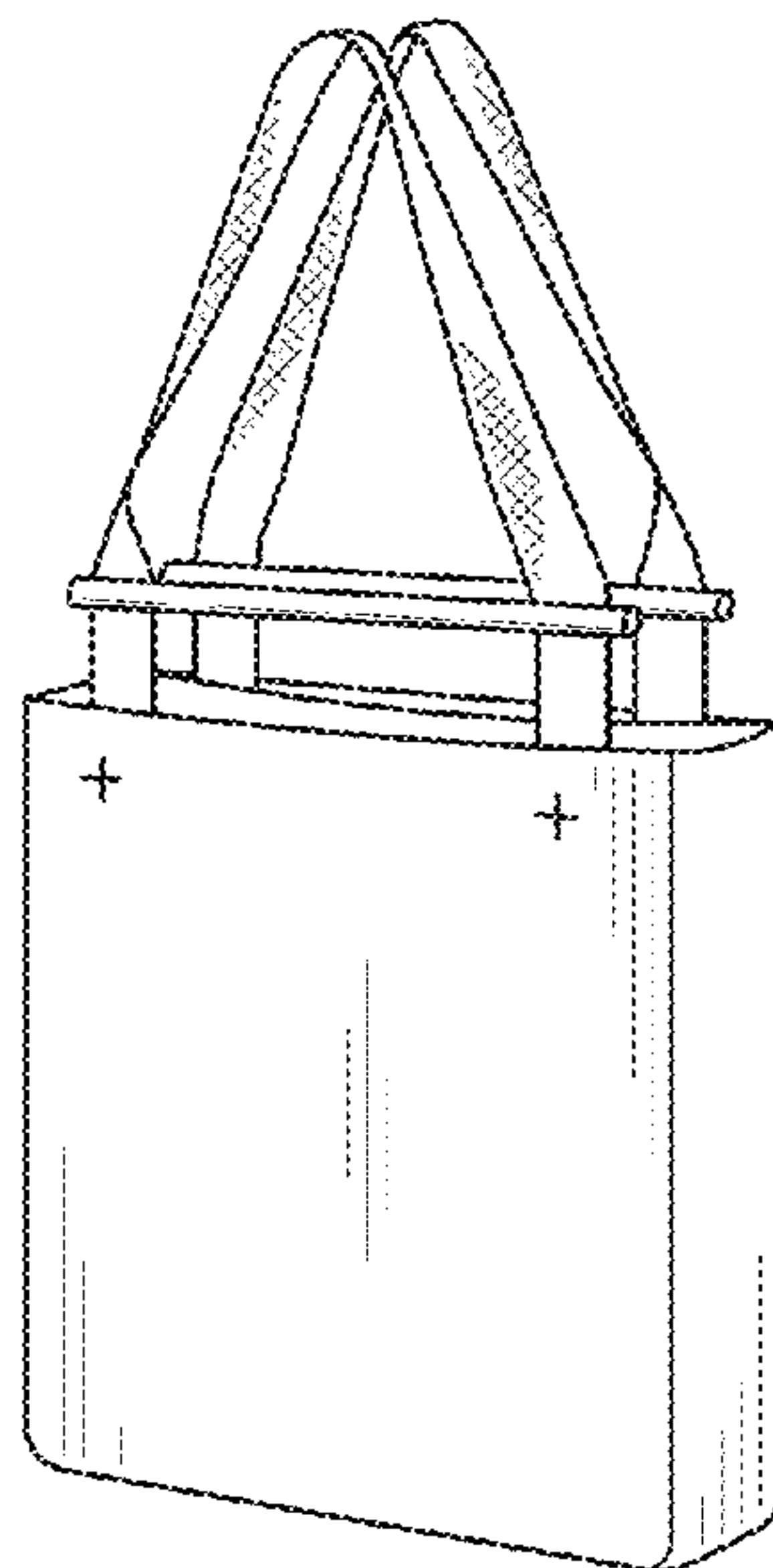
(57) **CLAIM**

The ornamental design for a tote bag, as shown and described.

DESCRIPTION

FIG. 1 is a front perspective view of a tote bag;
FIG. 2 is a front view of the tote bag depicted in FIG. 1,
where an opposing back side view is a mirror image of that
depicted in FIG. 2;
FIG. 3 is a top view of the tote bag depicted in FIG. 1 with
handles in an open position; and,
FIG. 4 is a side view of the tote bag depicted in FIG. 1 where
an opposing side view is a mirror image of that depicted in
FIG. 4.

1 Claim, 2 Drawing Sheets



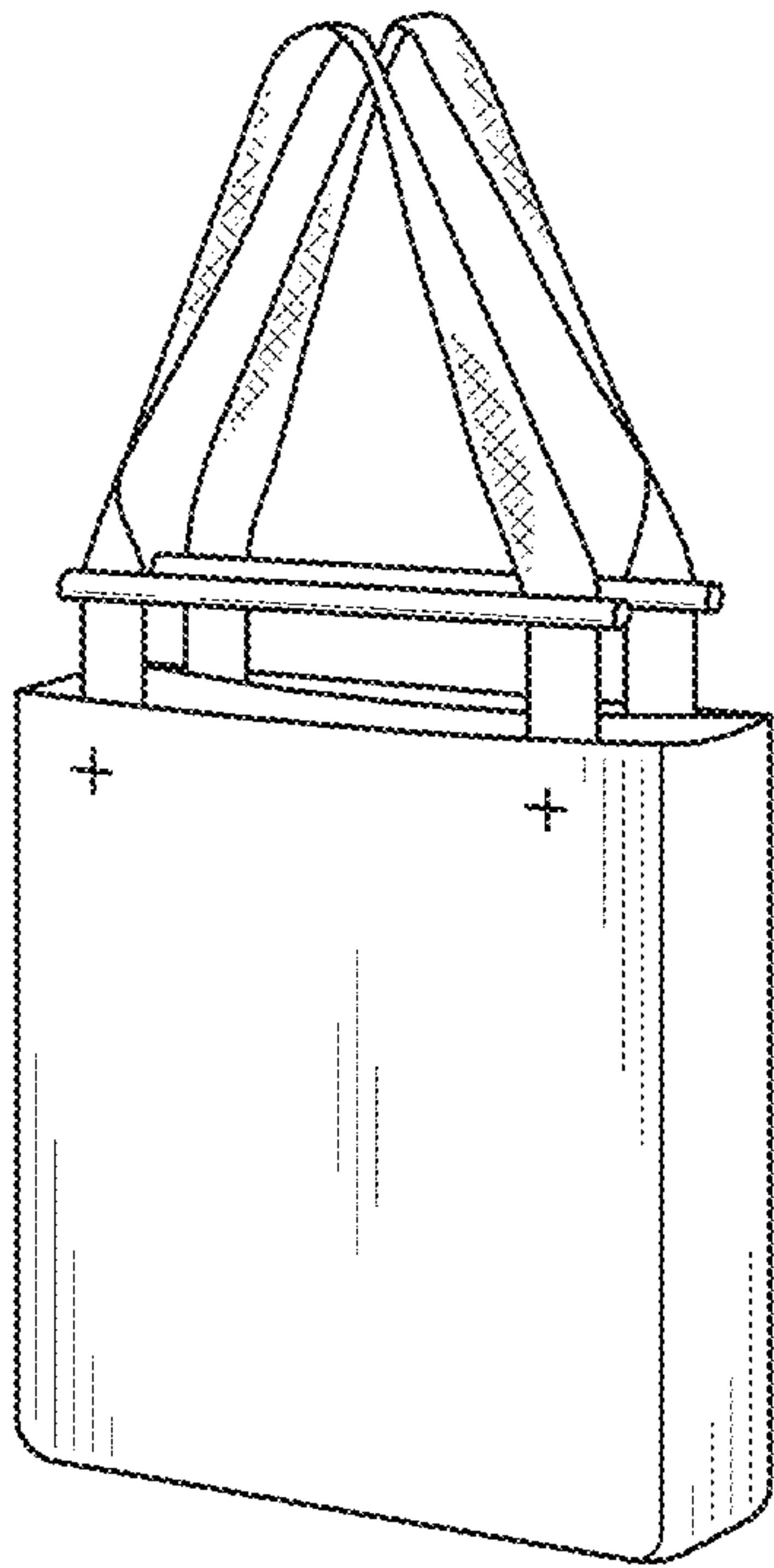


FIG. 1

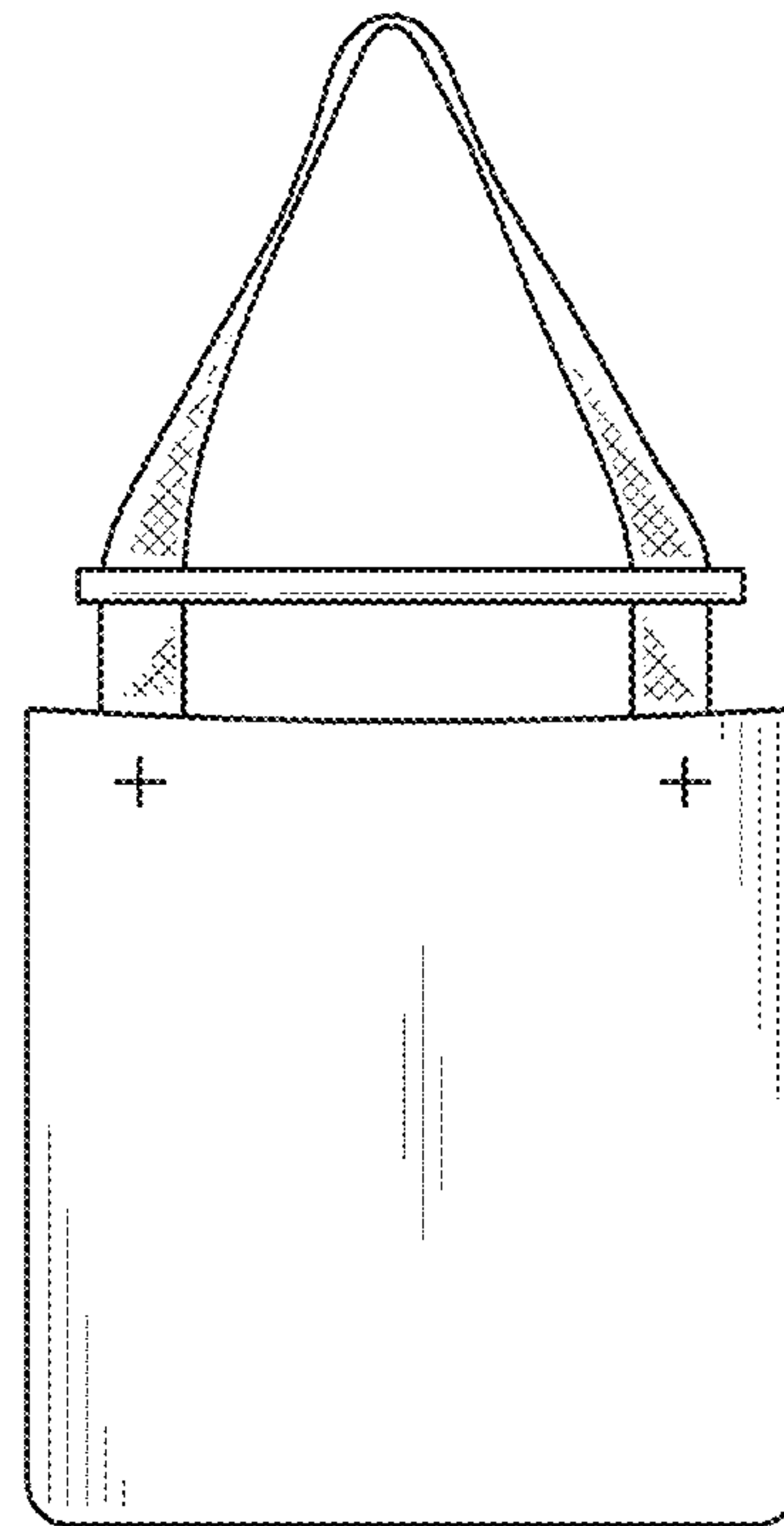


FIG. 2

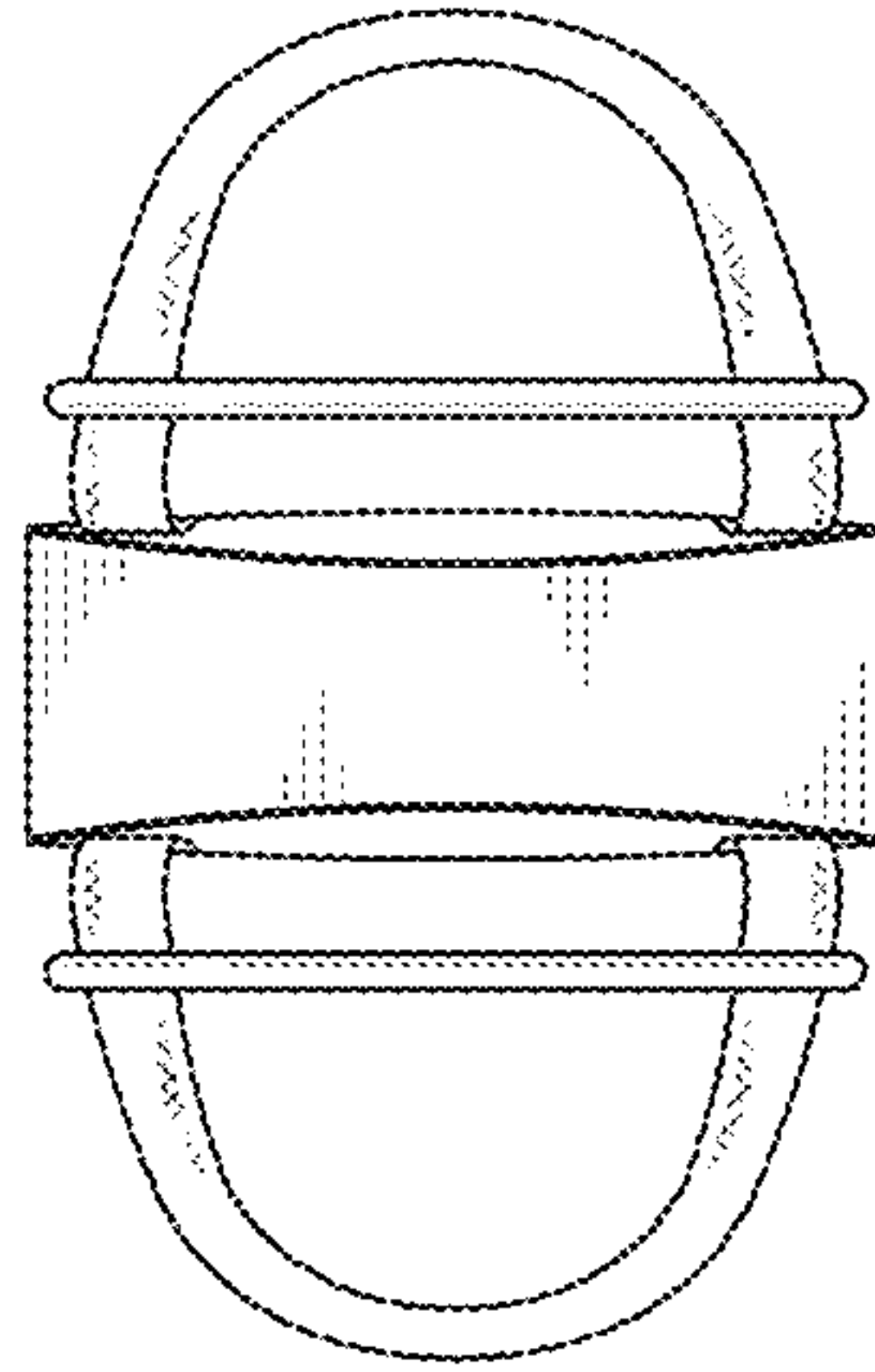


FIG. 3

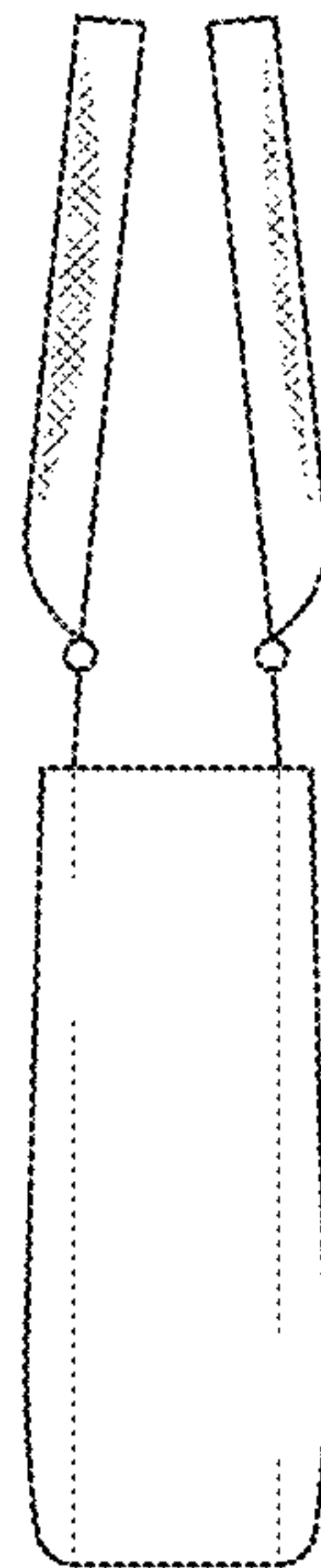


FIG. 4