



US00D783287S

(12) **United States Design Patent**
Swartzel

(10) **Patent No.:** **US D783,287 S**
(45) **Date of Patent:** **** Apr. 11, 2017**

(54) **CONVERTIBLE ORGANIZER**

(71) Applicant: **Thirty-One Gifts LLC**, Columbus, OH
(US)

(72) Inventor: **Elizabeth Ann Swartzel**, Columbus,
OH (US)

(73) Assignee: **Thirty-One Gifts LLC**, Columbus, OH
(US)

(**) Term: **15 Years**

(21) Appl. No.: **29/549,423**

(22) Filed: **Dec. 22, 2015**

(51) **LOC (10) Cl.** **03-01**

(52) **U.S. Cl.**
USPC **D3/305**

(58) **Field of Classification Search**
USPC D3/20, 26, 304, 307-311, 315, 318-319,
D3/321-322; D7/601, 701
(Continued)

(56) **References Cited**

U.S. PATENT DOCUMENTS

3,063,595 A * 11/1962 Smith B65D 11/1853
206/173
3,547,339 A * 12/1970 Bruce B65D 5/46184
229/117.09

(Continued)

Primary Examiner — Kelley Donnelly

(74) *Attorney, Agent, or Firm* — Porter Wright Morris &
Aurthur LLP

(57) **CLAIM**

The ornamental design for a convertible organizer, as shown
and described.

DESCRIPTION

FIG. 1 is a top/front perspective view of a convertible
organizer in a collapsed configuration according to my new
design;

FIG. 2 is a top/front perspective view thereof in an expanded
configuration with a bottom panel folded;

FIG. 3 is a top/front perspective view thereof in the
expanded configuration with the bottom panel extended;

FIG. 4 is a top/rear perspective view thereof in the expanded
configuration with the bottom panel extended;

FIG. 5 is a front view thereof in the collapsed configuration;

FIG. 6 is a front view thereof in the expanded configuration;

FIG. 7 is a rear view thereof in the collapsed configuration;

FIG. 8 is a rear view thereof in the expanded configuration;

FIG. 9 is a right-side view thereof in the collapsed configu-
ration;

FIG. 10 is a right-side view thereof in the expanded con-
figuration;

FIG. 11 is a left-side view thereof in the collapsed configu-
ration;

FIG. 12 is a left-side view thereof in the expanded configu-
ration;

FIG. 13 is a top view thereof in the collapsed configuration;

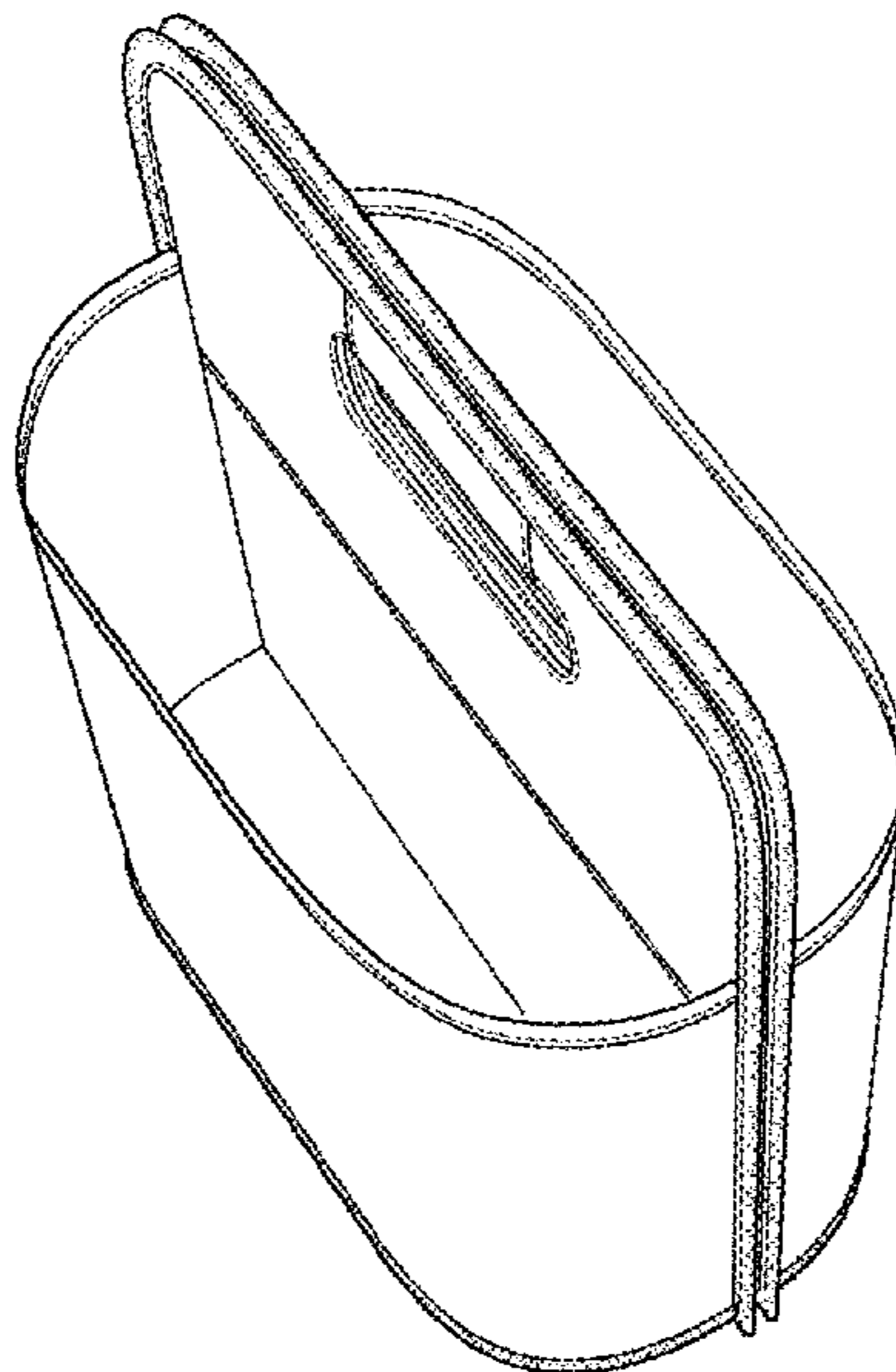
FIG. 14 is a top view thereof in the expanded configuration
with the bottom panel folded;

FIG. 15 is a top view thereof in the expanded configuration
with the bottom panel extended;

FIG. 16 is a bottom view thereof in the collapsed configu-
ration; and,
FIG. 17 is a bottom view thereof in the expanded configu-
ration.

The broken lines in the figures indicate stitching and form a
part of the claimed design.

1 Claim, 11 Drawing Sheets



(58) **Field of Classification Search**

CPC A45C 1/024; A45C 3/06; B65D 29/00;
B65D 37/00

See application file for complete search history.

(56) **References Cited**

U.S. PATENT DOCUMENTS

D386,616 S * 11/1997 Nimer D3/308
5,848,695 A * 12/1998 Harris B65D 71/0014
206/170
D484,011 S * 12/2003 Strobel D3/309
D591,950 S * 5/2009 Kim D3/239
D602,530 S * 10/2009 Thompson D19/90
D649,786 S * 12/2011 Lipfert D3/308
D690,109 S * 9/2013 Shupp D3/309
D695,346 S * 12/2013 Kong D19/78
D699,437 S * 2/2014 Del Solar D3/315
D714,059 S * 9/2014 Blackwell D3/304
D752,345 S * 3/2016 Szucs D3/305
2006/0124492 A1 * 6/2006 Godshaw A45C 11/20
206/428
2007/0017828 A1 * 1/2007 Cuomo B65D 71/0014
206/162
2007/0223842 A1 * 9/2007 Sabounjian D06F 95/002
383/2
2008/0230416 A1 * 9/2008 Brouard B25H 3/02
206/372

* cited by examiner

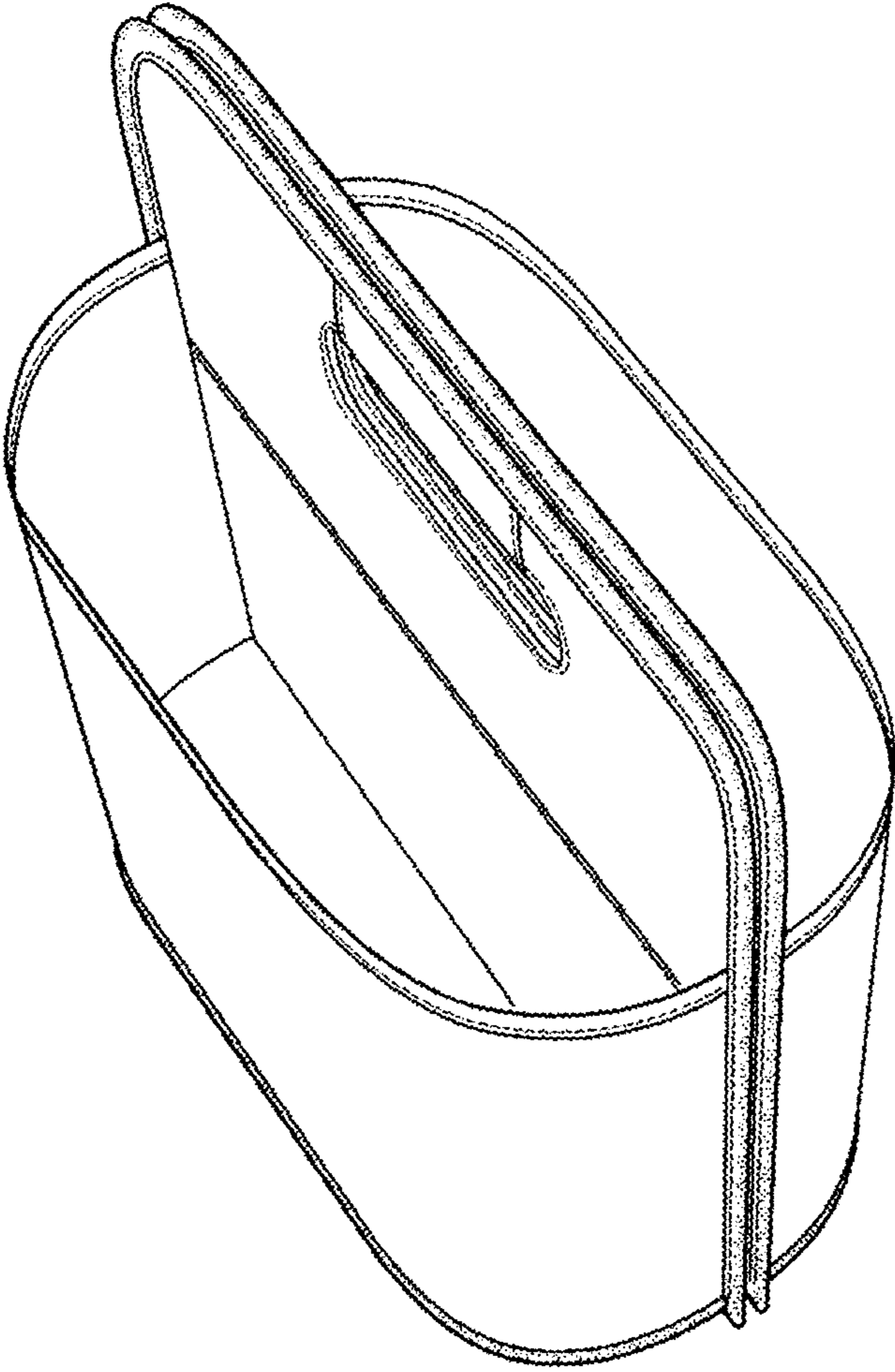


Fig. 1

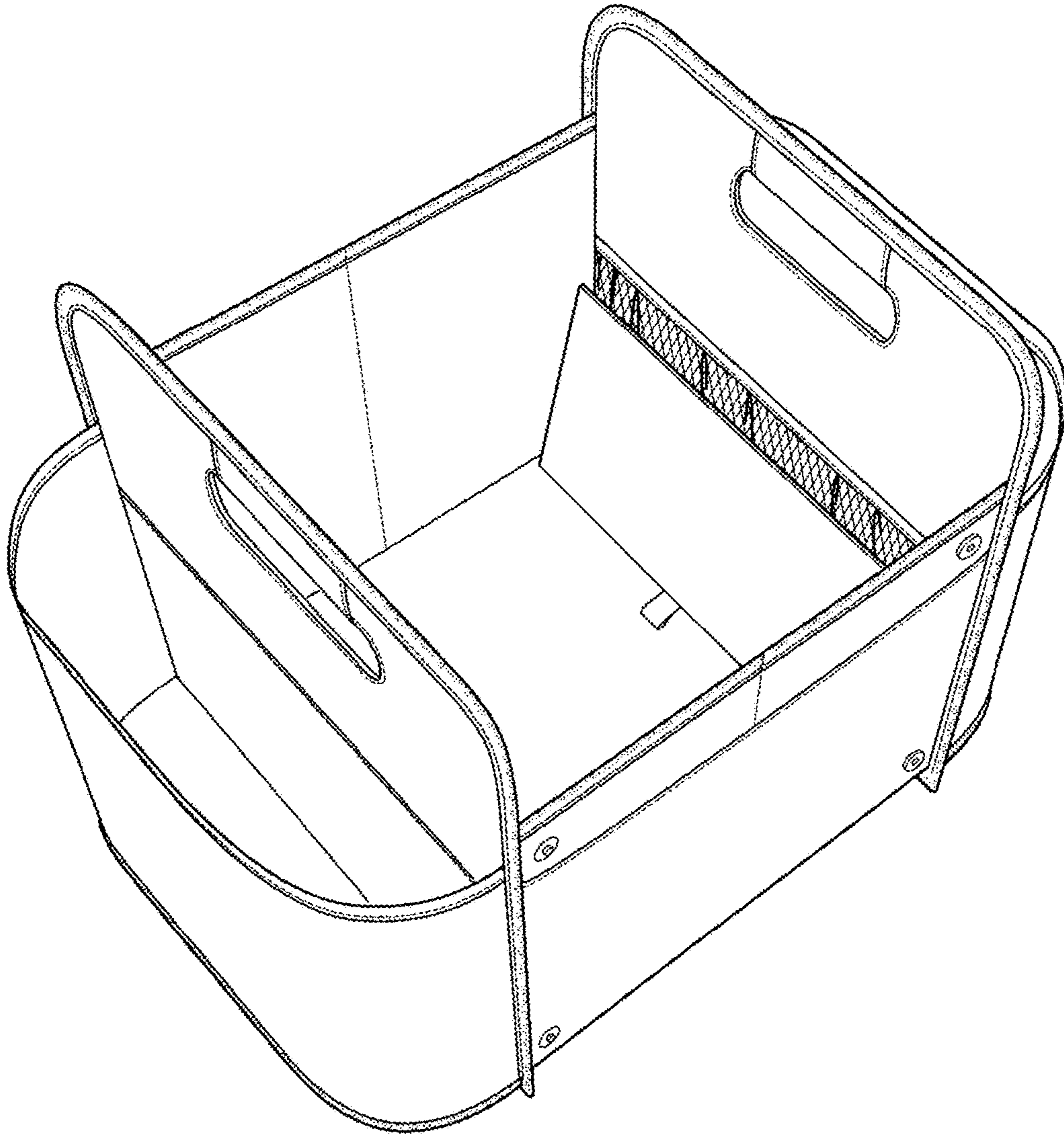


Fig. 2

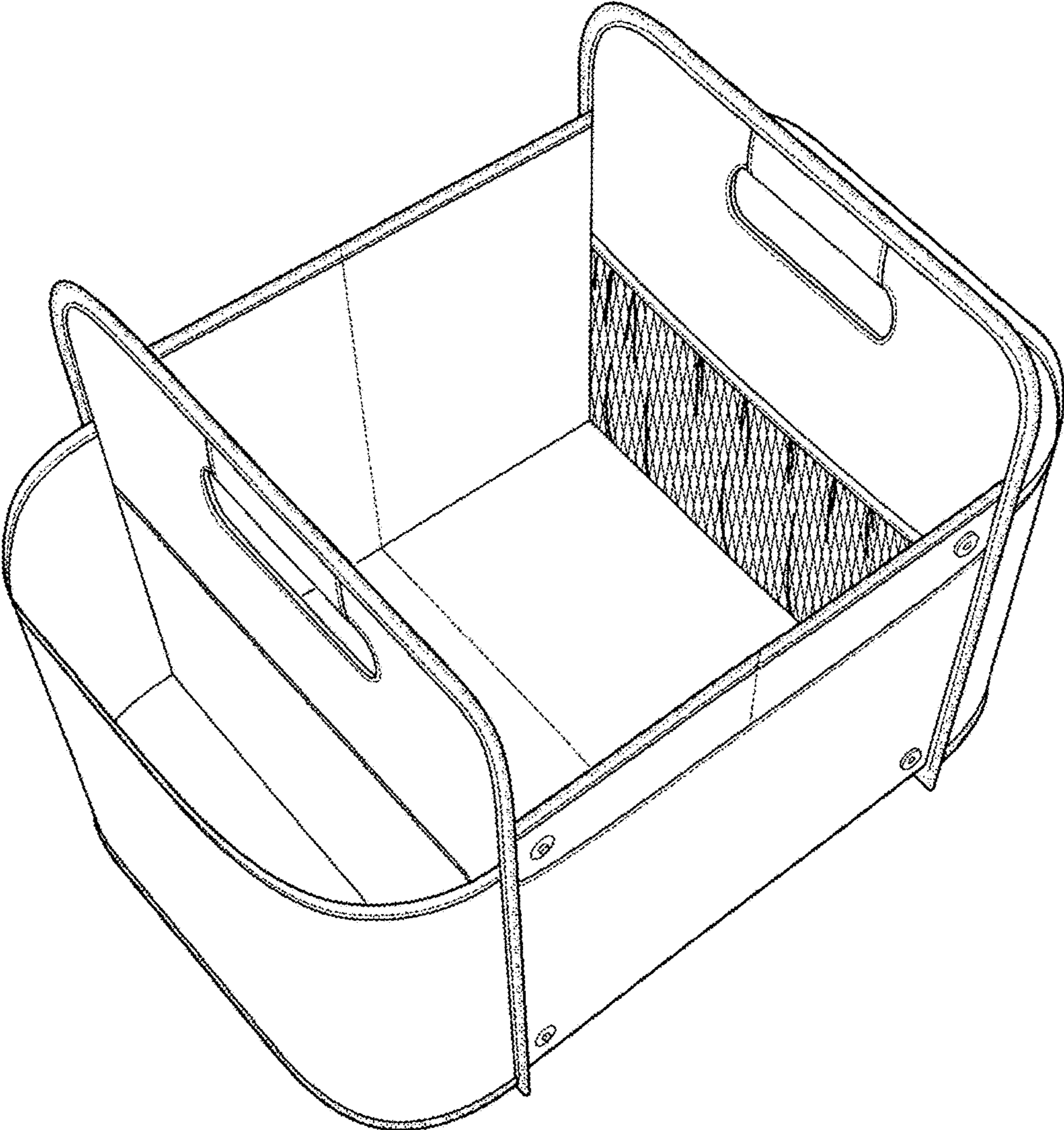


Fig. 3

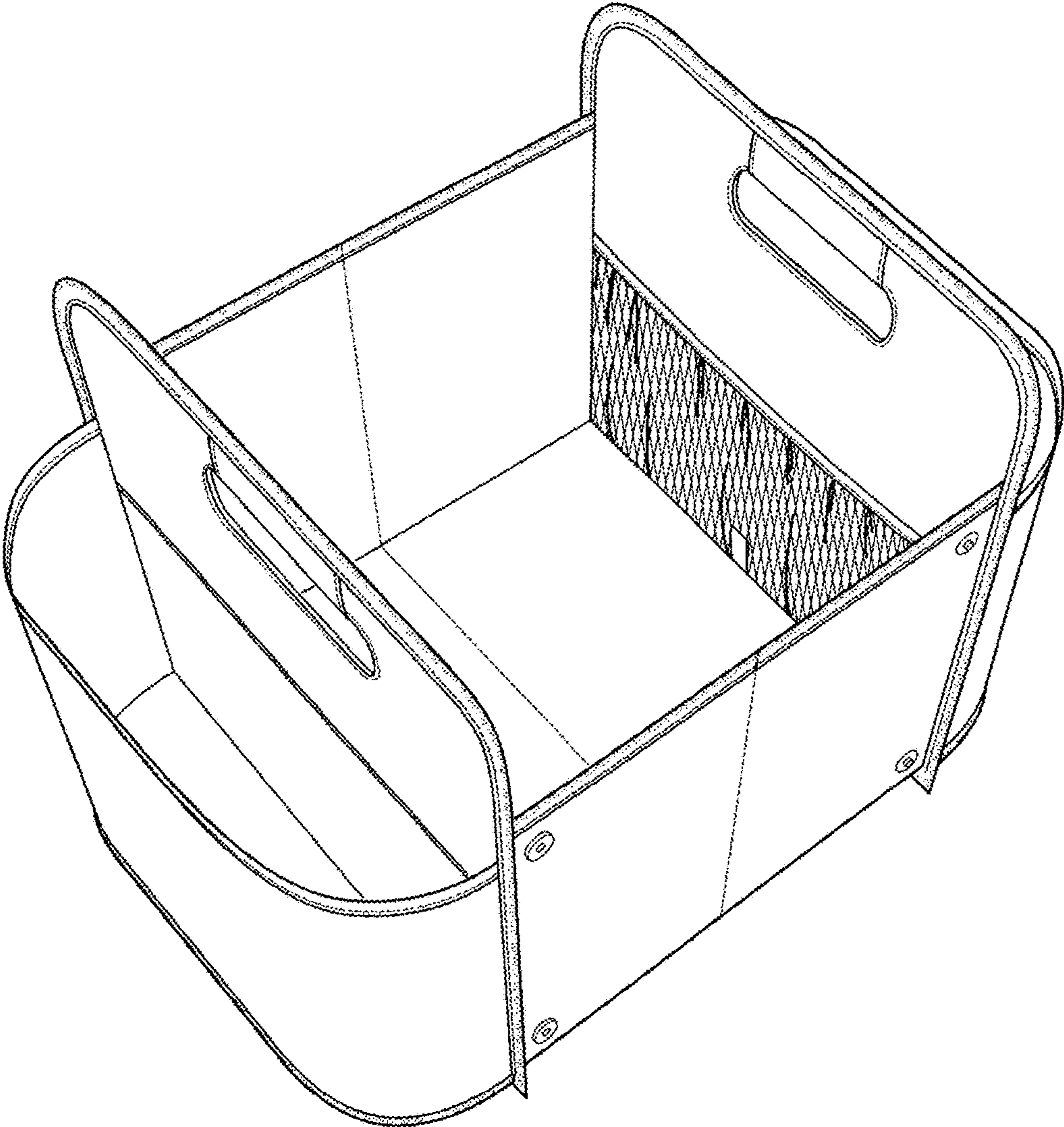


Fig. 4

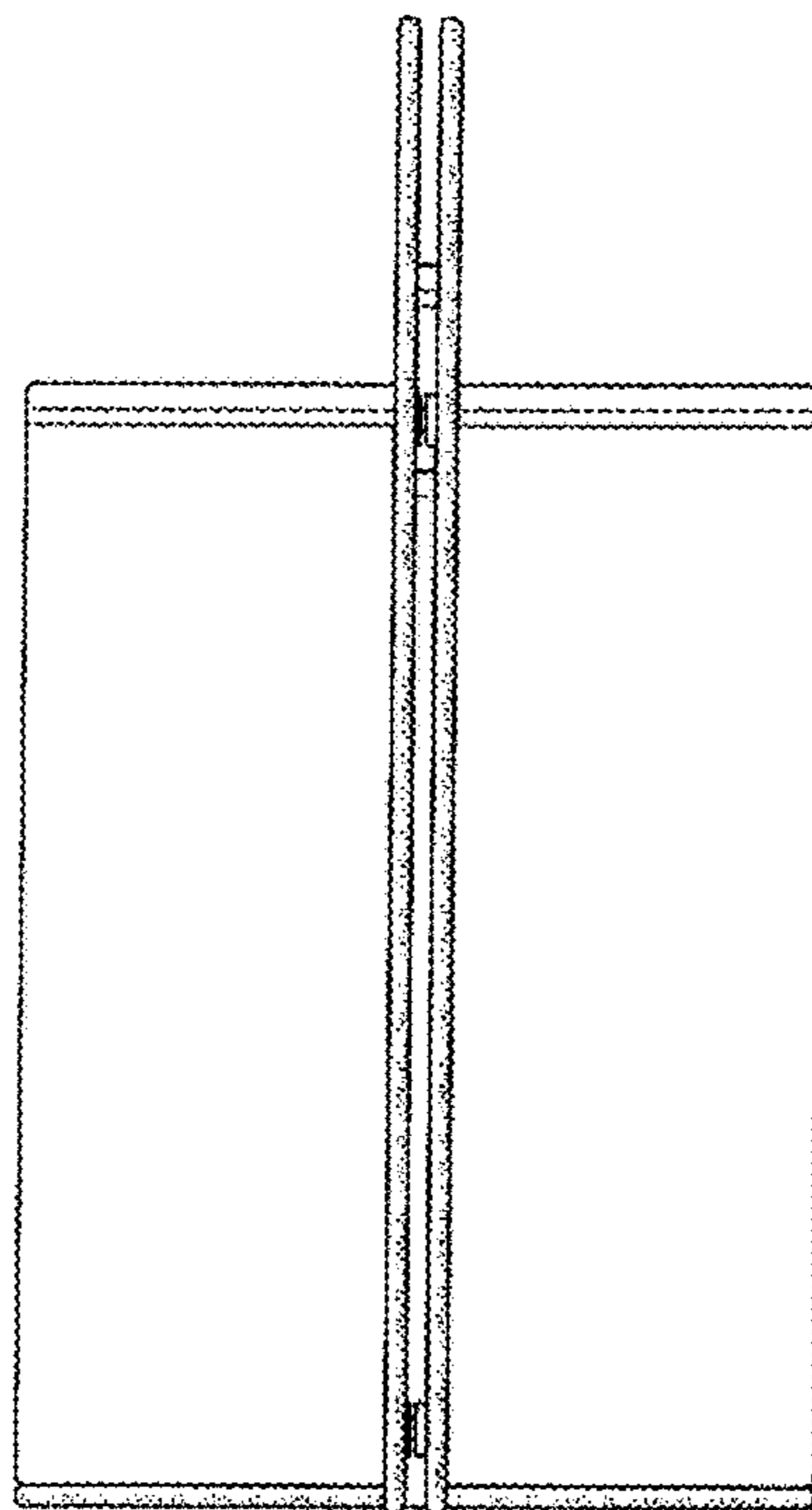


FIG. 5

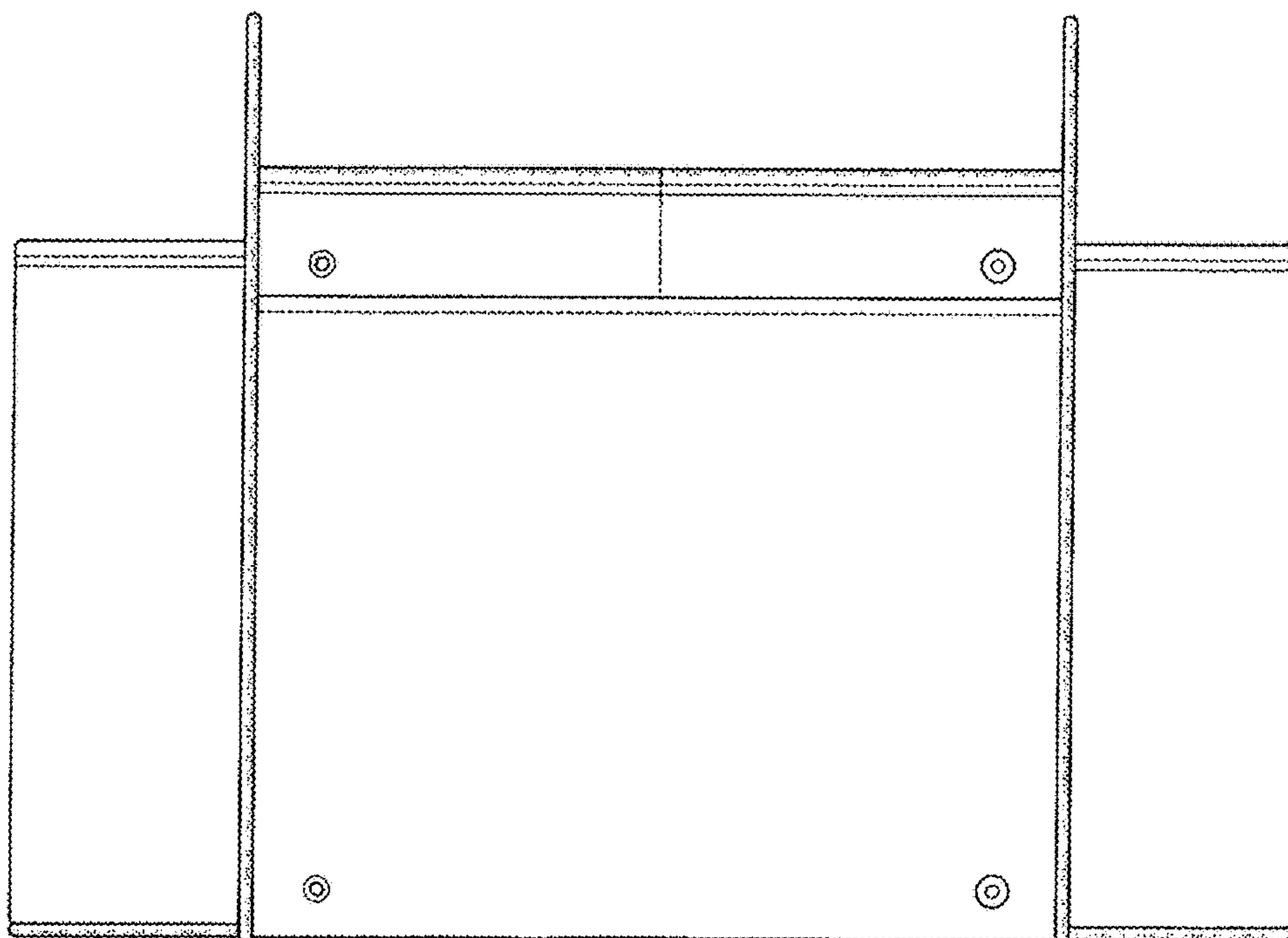


FIG. 6

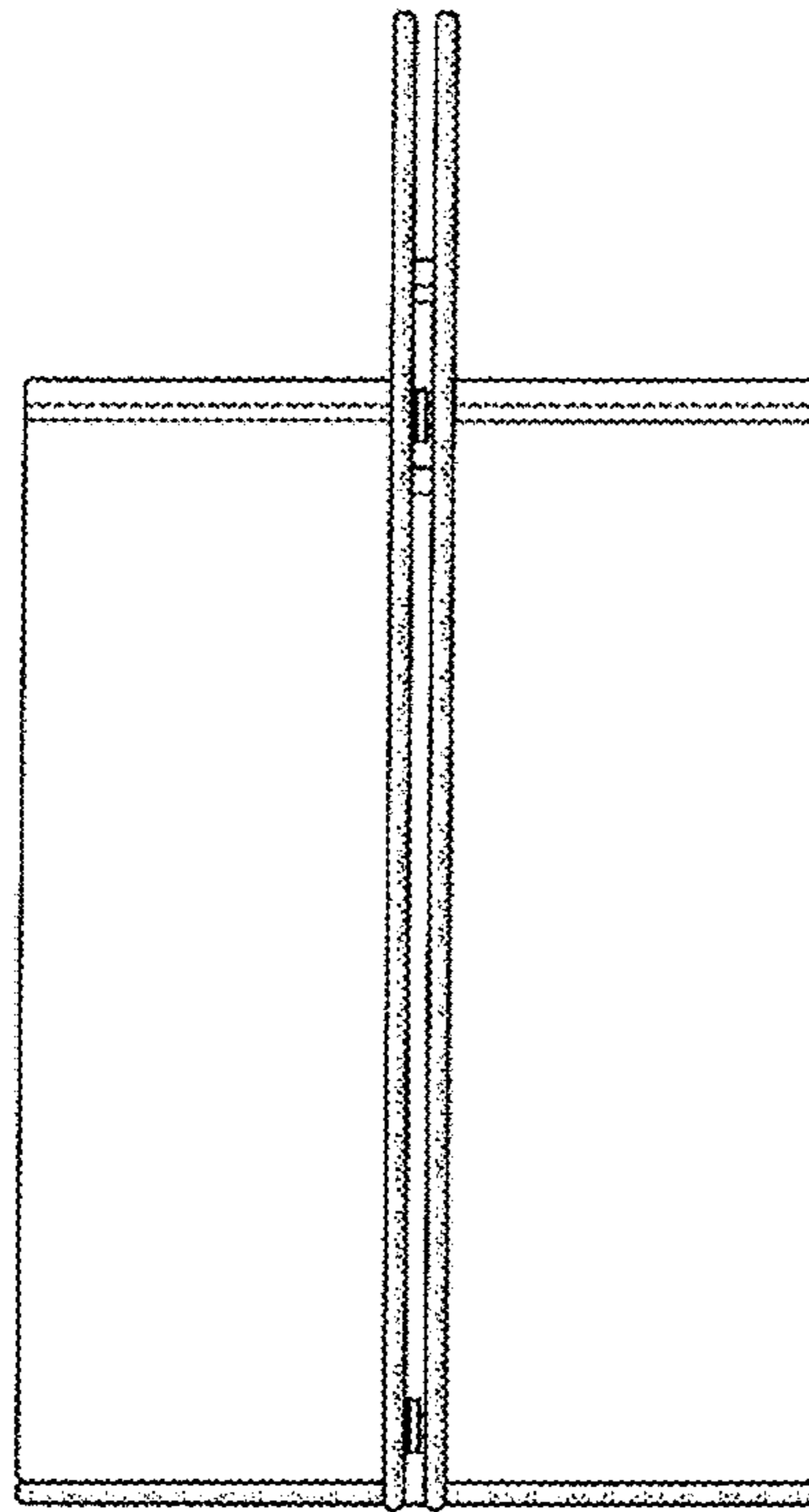


FIG. 7

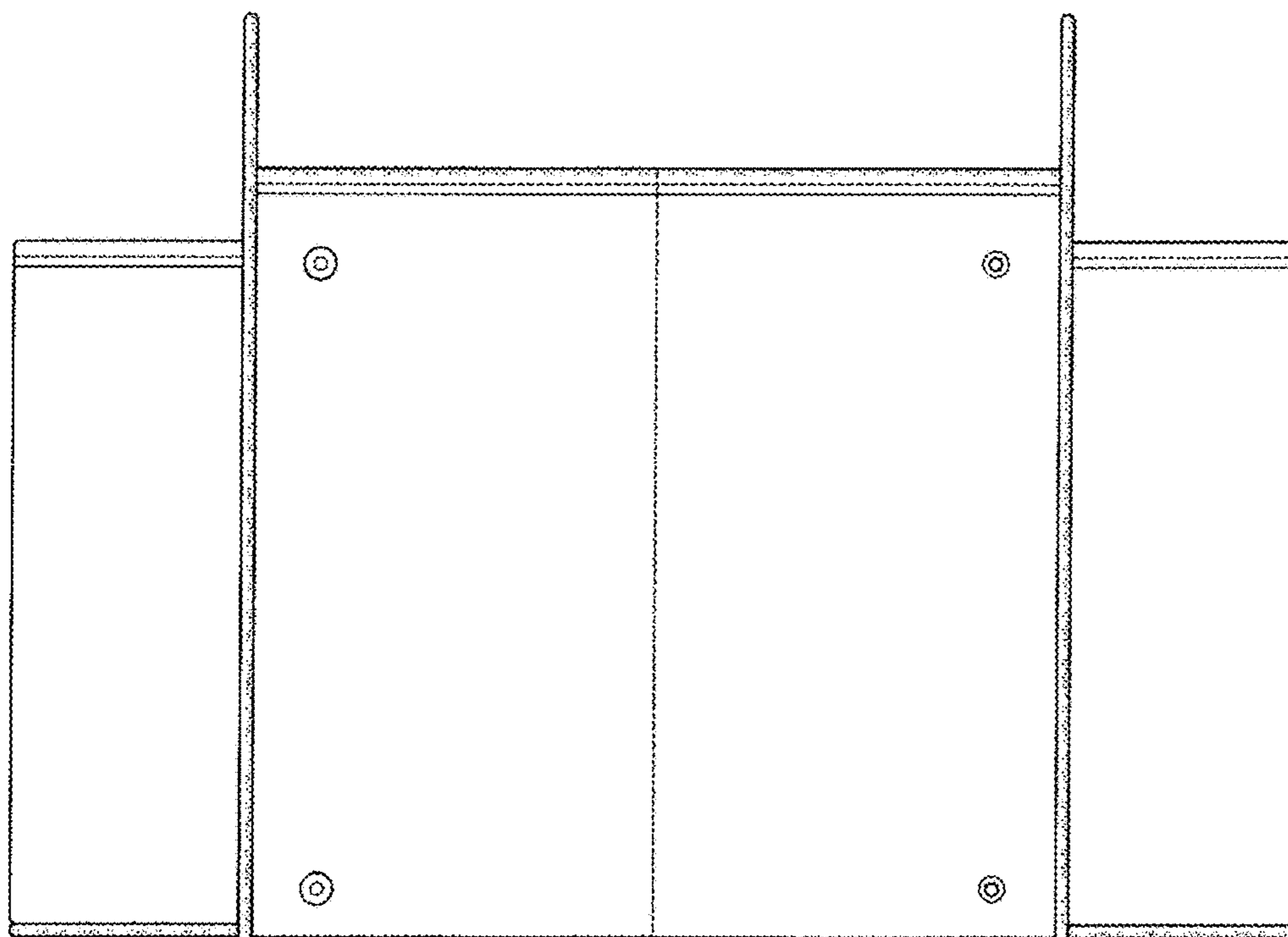


FIG. 8

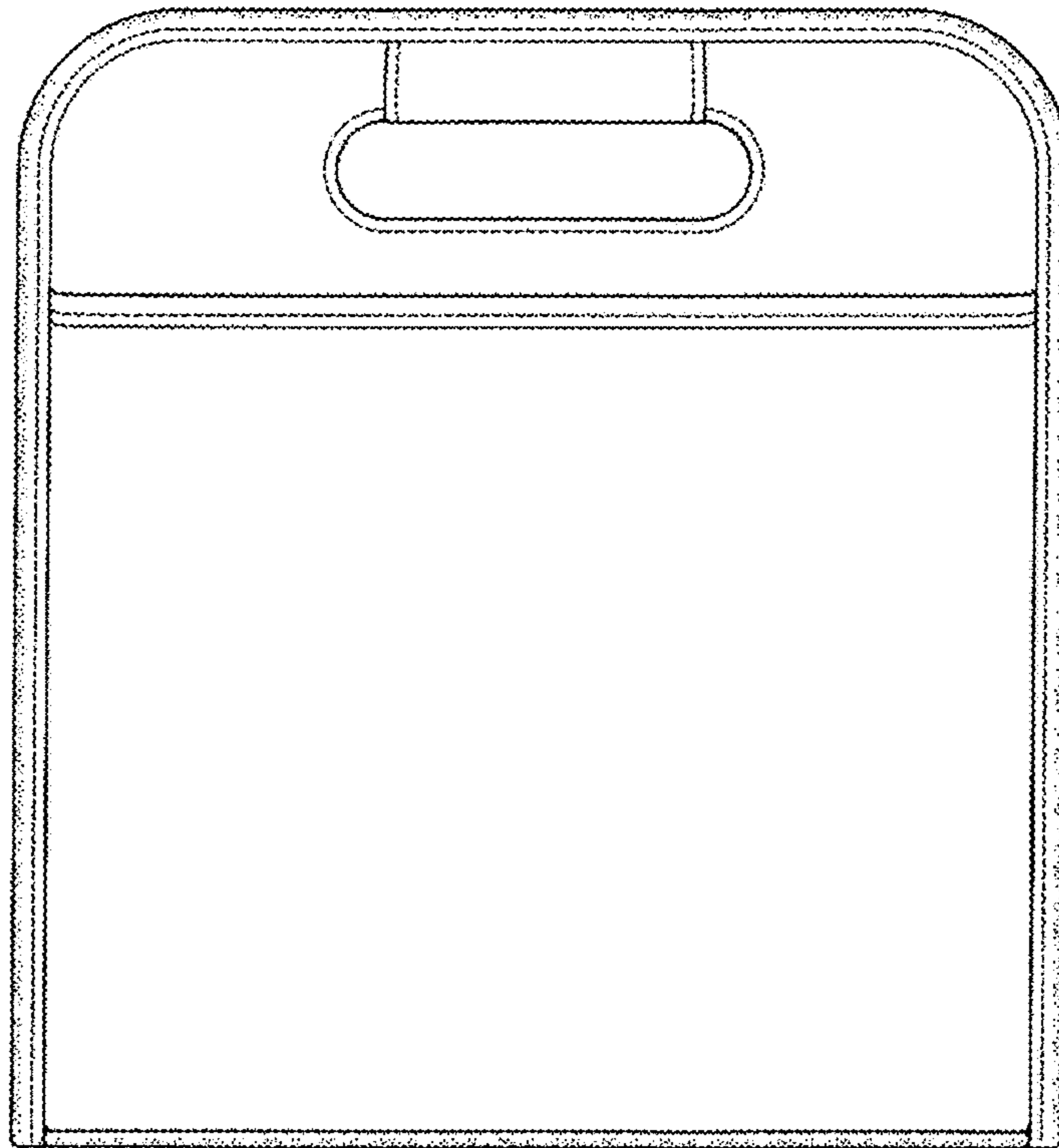


FIG. 9

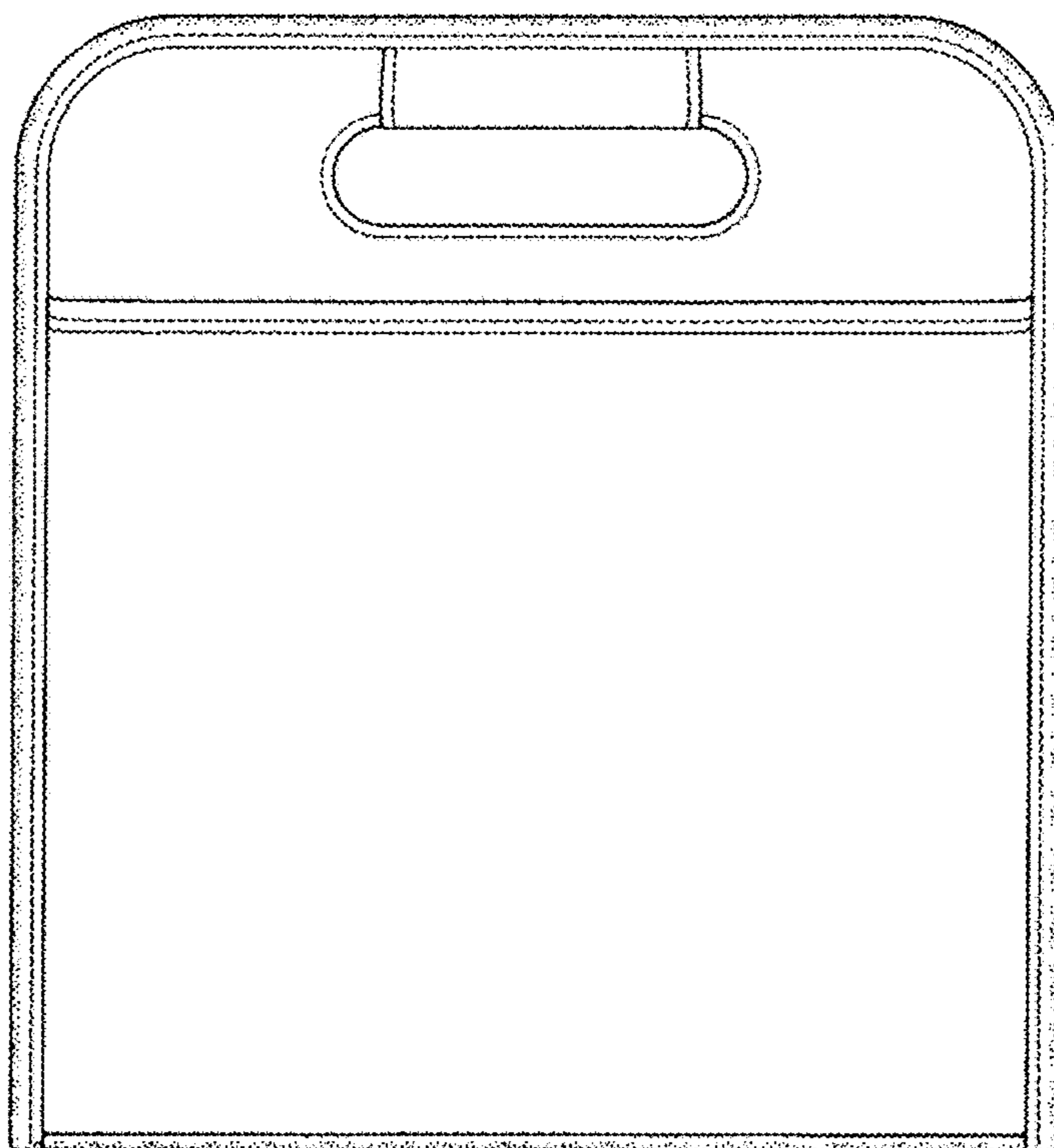


FIG. 10

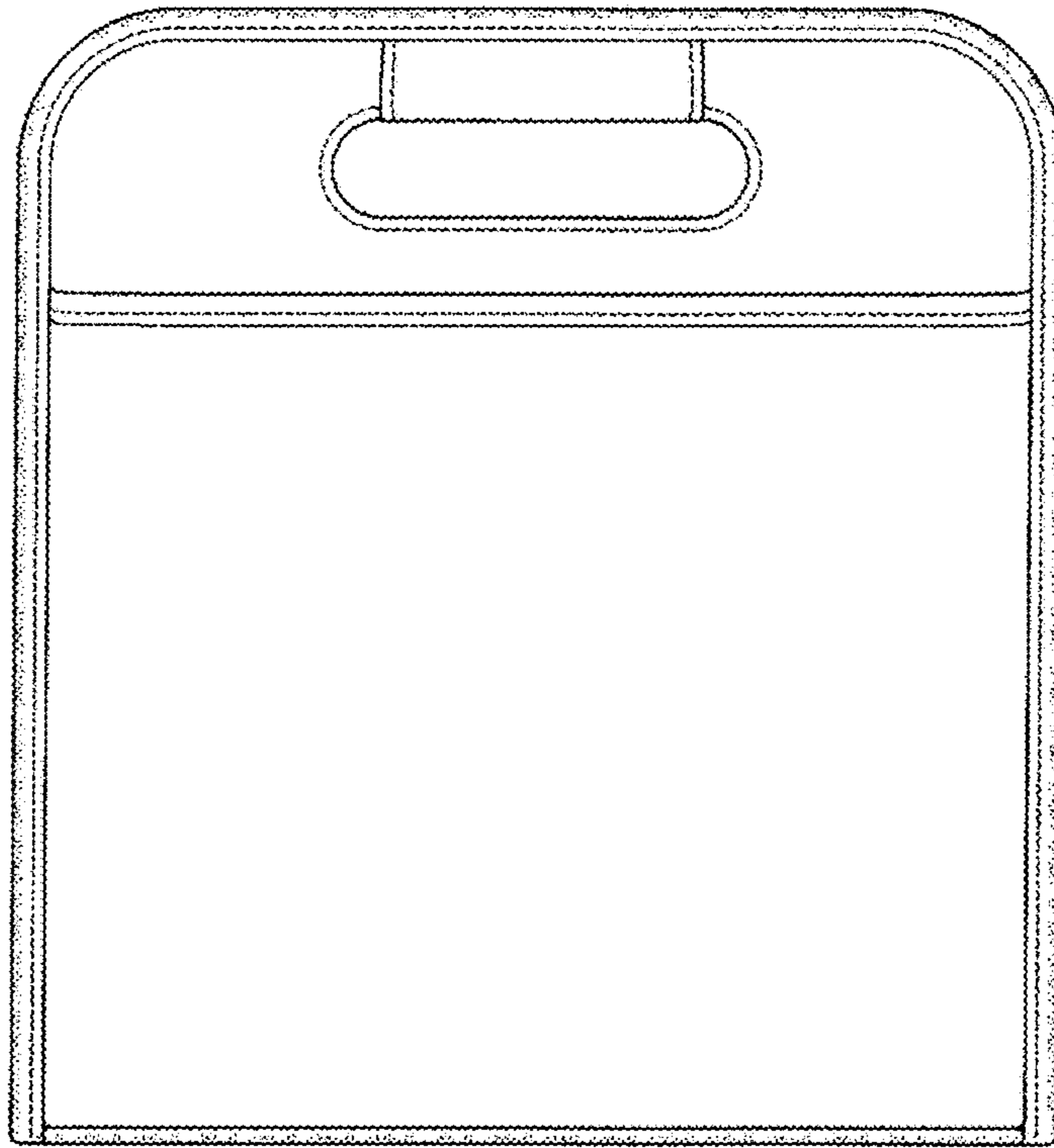


FIG. 11

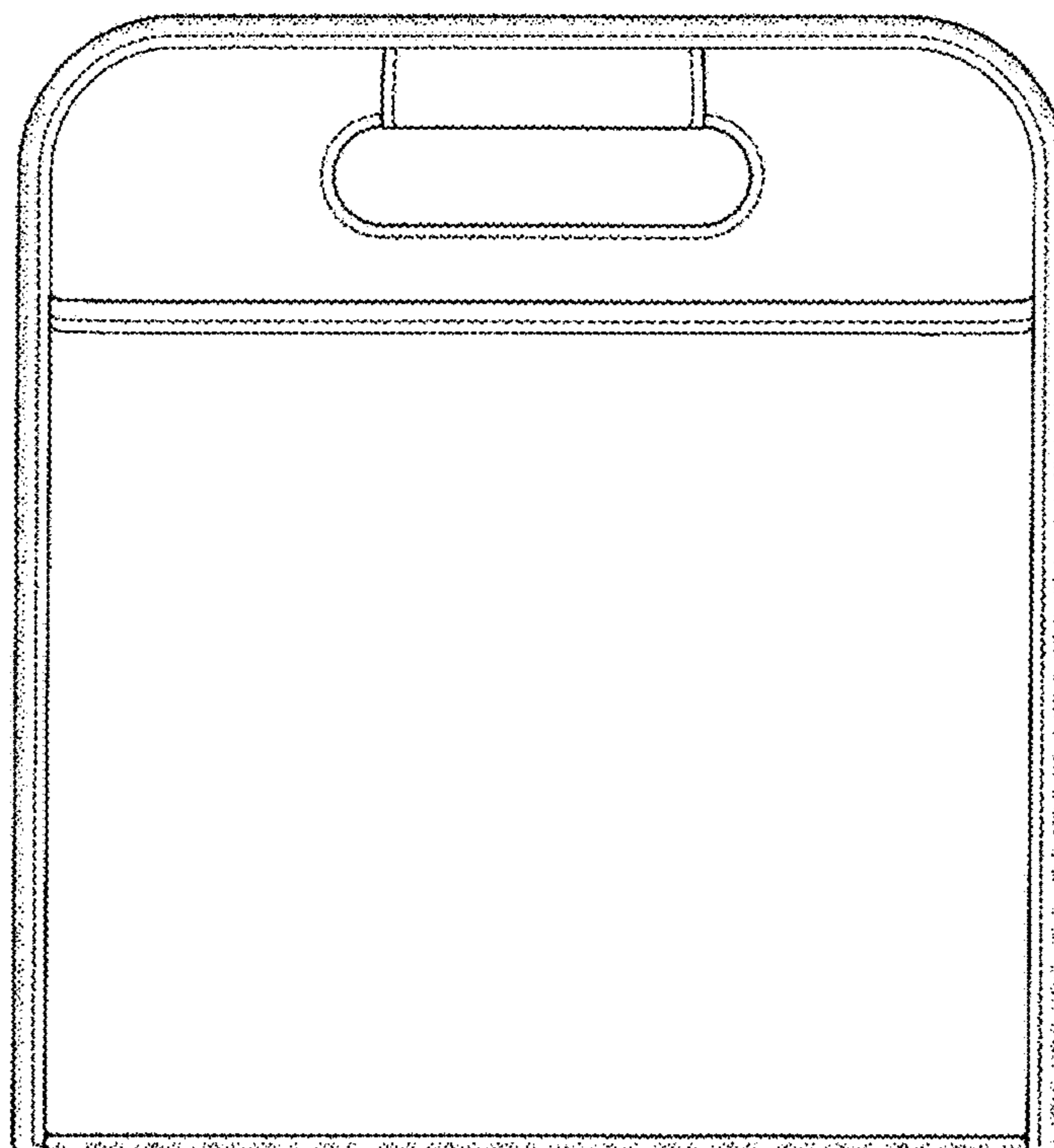


FIG. 12

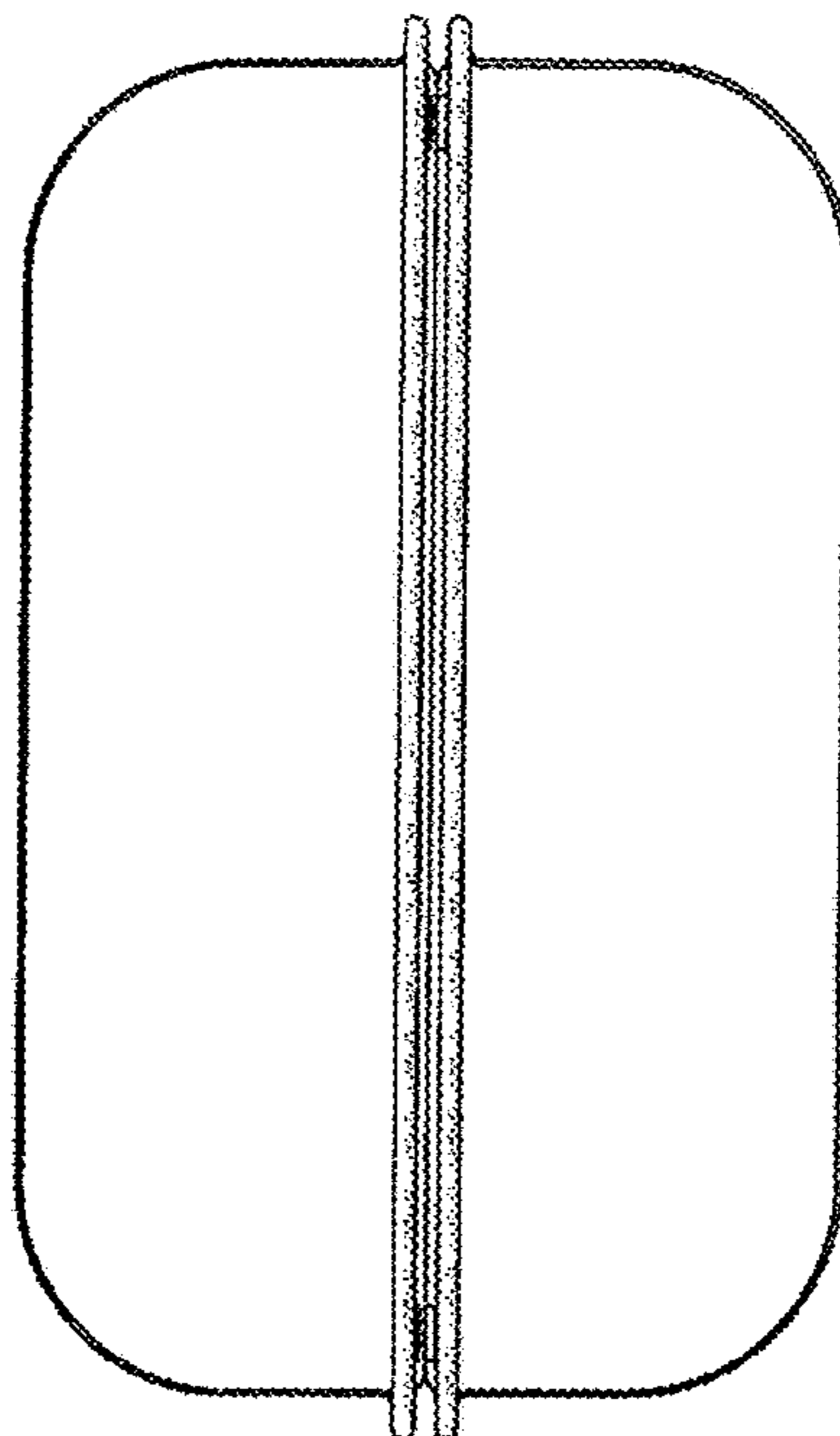


FIG. 13

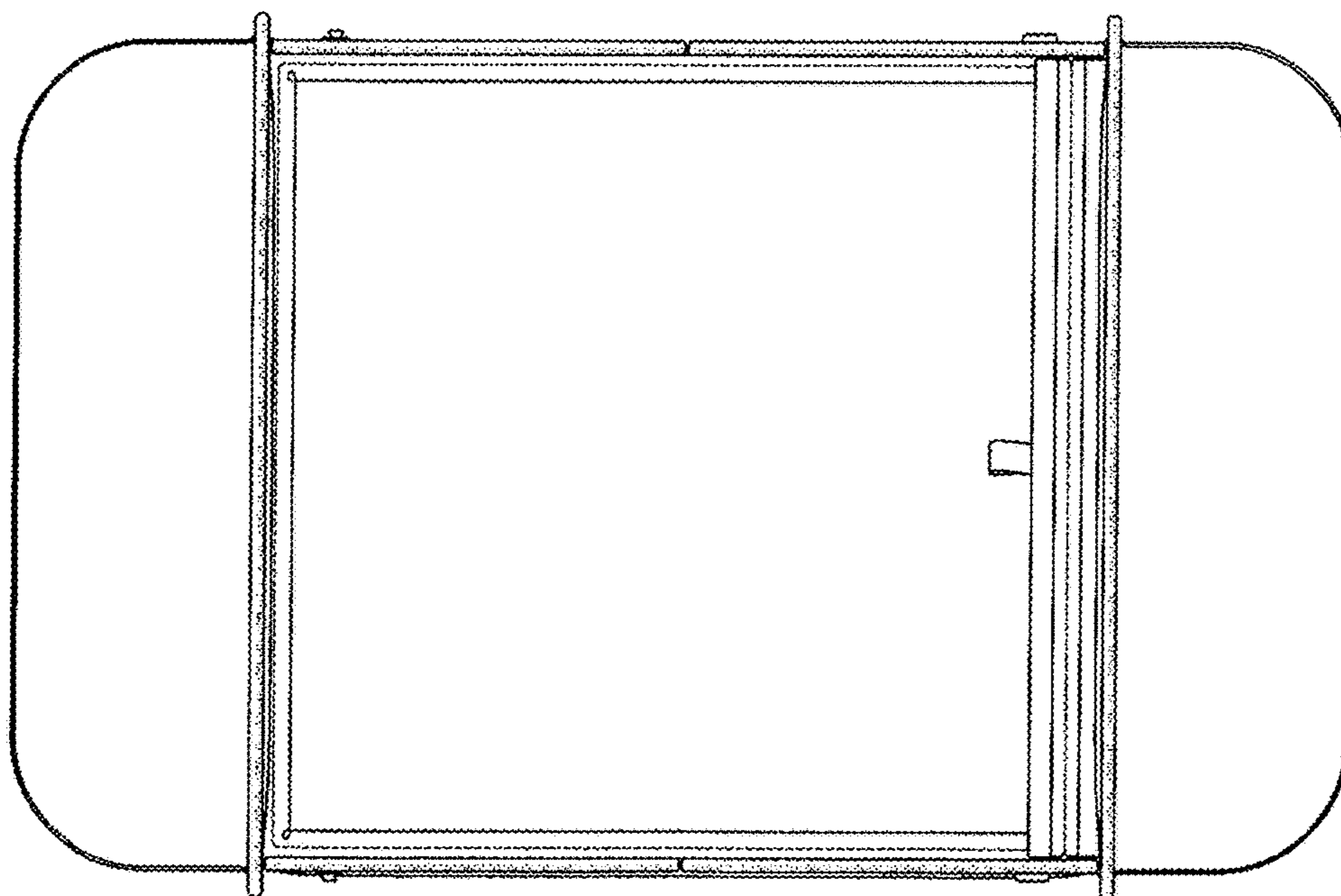


FIG. 14

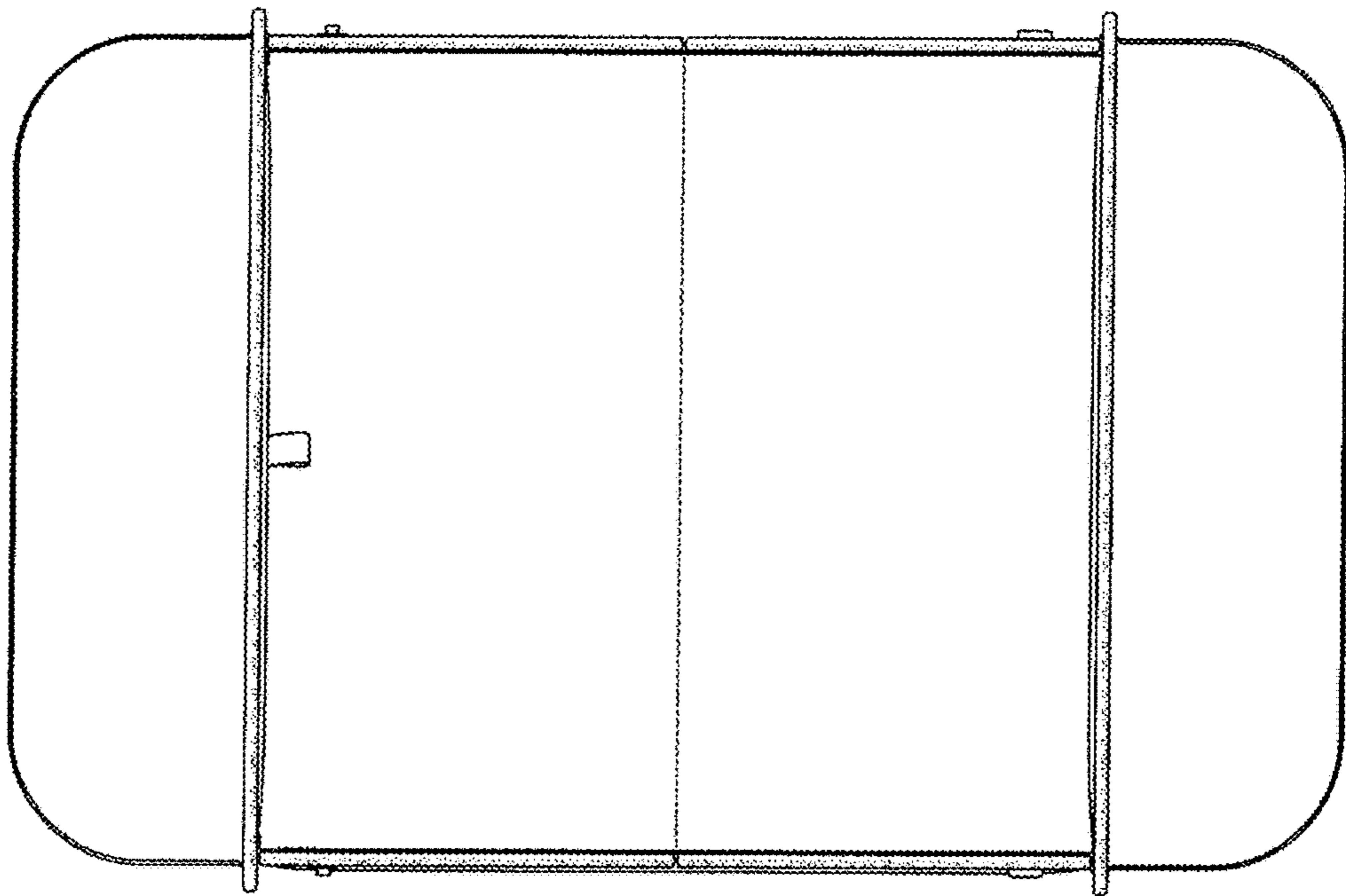


FIG. 15

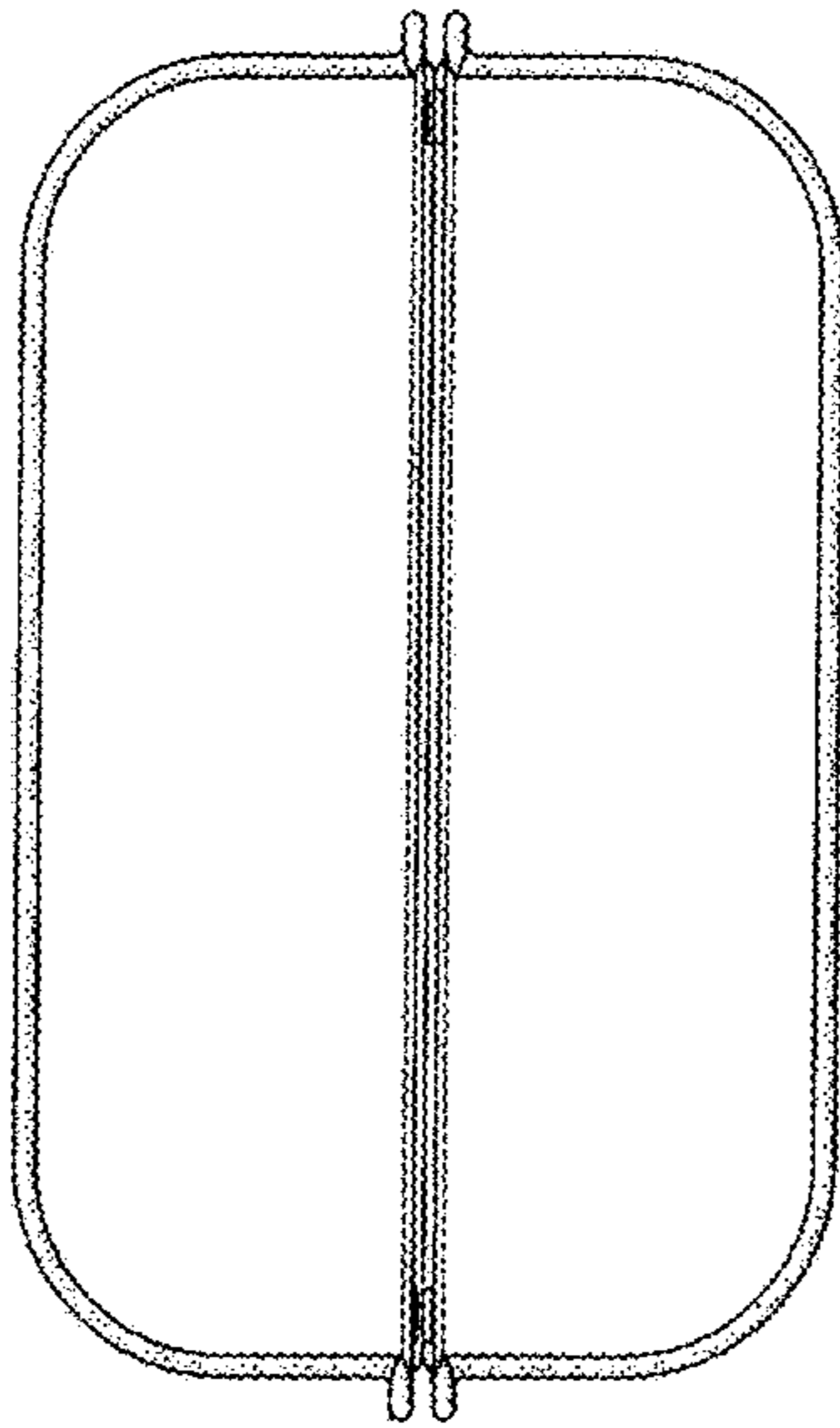


FIG. 16

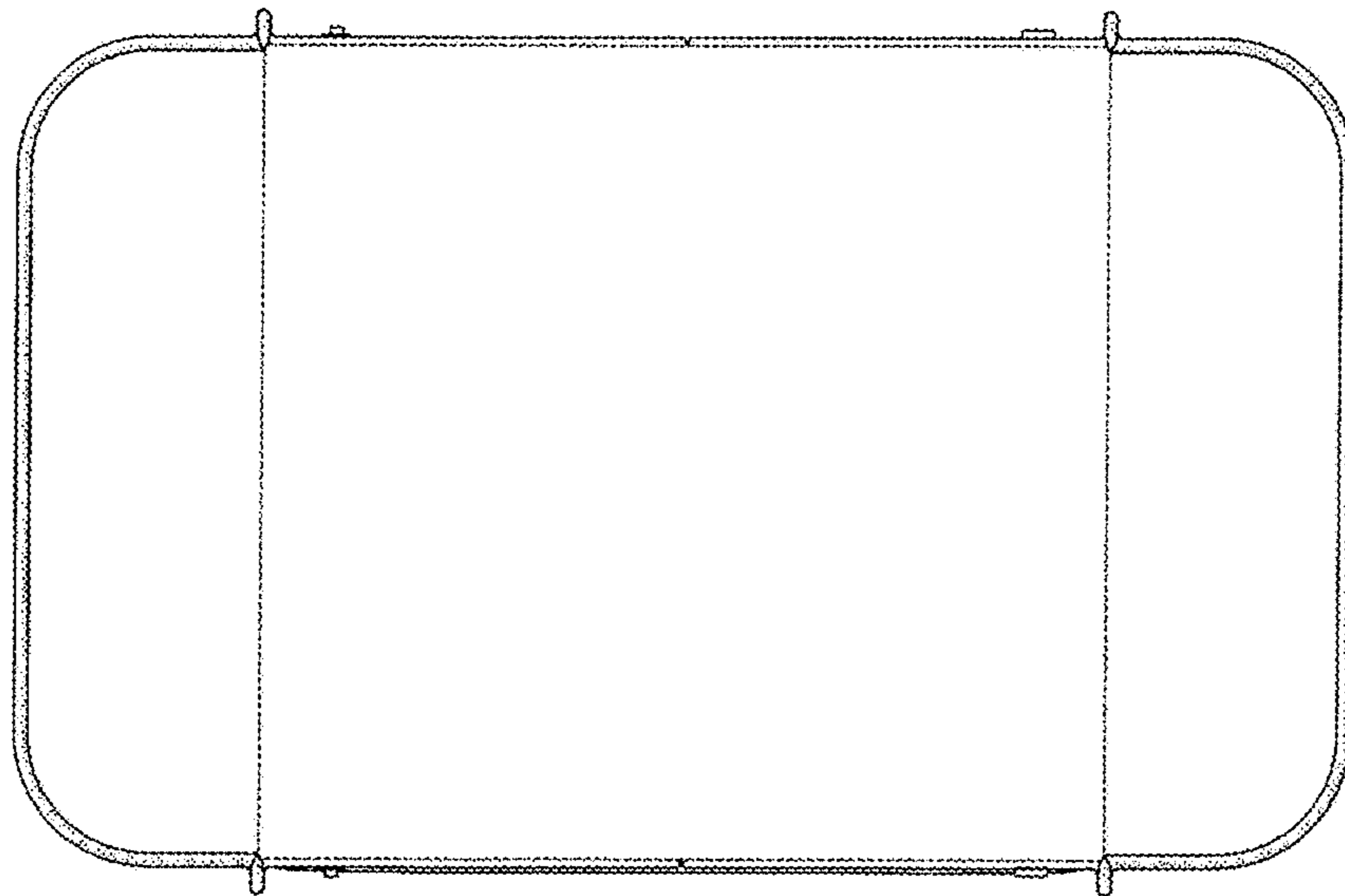


FIG. 17