



US00D783286S

(12) **United States Design Patent**
Silverman

(10) **Patent No.:** **US D783,286 S**

(45) **Date of Patent:** **** Apr. 11, 2017**

(54) **STORAGE BOX**

(71) Applicant: **Clifford Silverman**, Waukegan, IL (US)

(72) Inventor: **Clifford Silverman**, Waukegan, IL (US)

(**) Term: **15 Years**

(21) Appl. No.: **29/558,682**

(22) Filed: **Mar. 21, 2016**

(51) **LOC (10) Cl.** **03-01**

(52) **U.S. Cl.**
USPC **D3/304**

(58) **Field of Classification Search**
USPC D3/304-315; D6/512, 672, 675
CPC ... B65D 1/00; B65D 5/46072; B65D 81/3813
See application file for complete search history.

(56) **References Cited**

U.S. PATENT DOCUMENTS

| | | | | |
|----------------|--------|---------|-------|-------------------------|
| D309,970 S * | 8/1990 | Embree | | D3/304 |
| D420,798 S * | 2/2000 | Belokin | | D3/201 |
| 6,571,967 B2 * | 6/2003 | Belokin | | A47F 7/283 211/71.01 |
| D493,309 S * | 7/2004 | Moss | | D6/705 |

| | | | | |
|-------------------|---------|---------|-------|------------------------|
| D681,983 S * | 5/2013 | Cramer | | D6/513 |
| D681,984 S * | 5/2013 | Cramer | | D6/513 |
| D730,080 S * | 5/2015 | Henn | | D6/574 |
| D735,996 S * | 8/2015 | Fath | | D3/305 |
| D761,369 S * | 7/2016 | Elsea | | D21/782 |
| 2008/0272078 A1 * | 11/2008 | Belokin | | A47F 5/08 211/126.1 |

* cited by examiner

Primary Examiner — Kelley Donnelly

(74) *Attorney, Agent, or Firm* — Justin Lampel

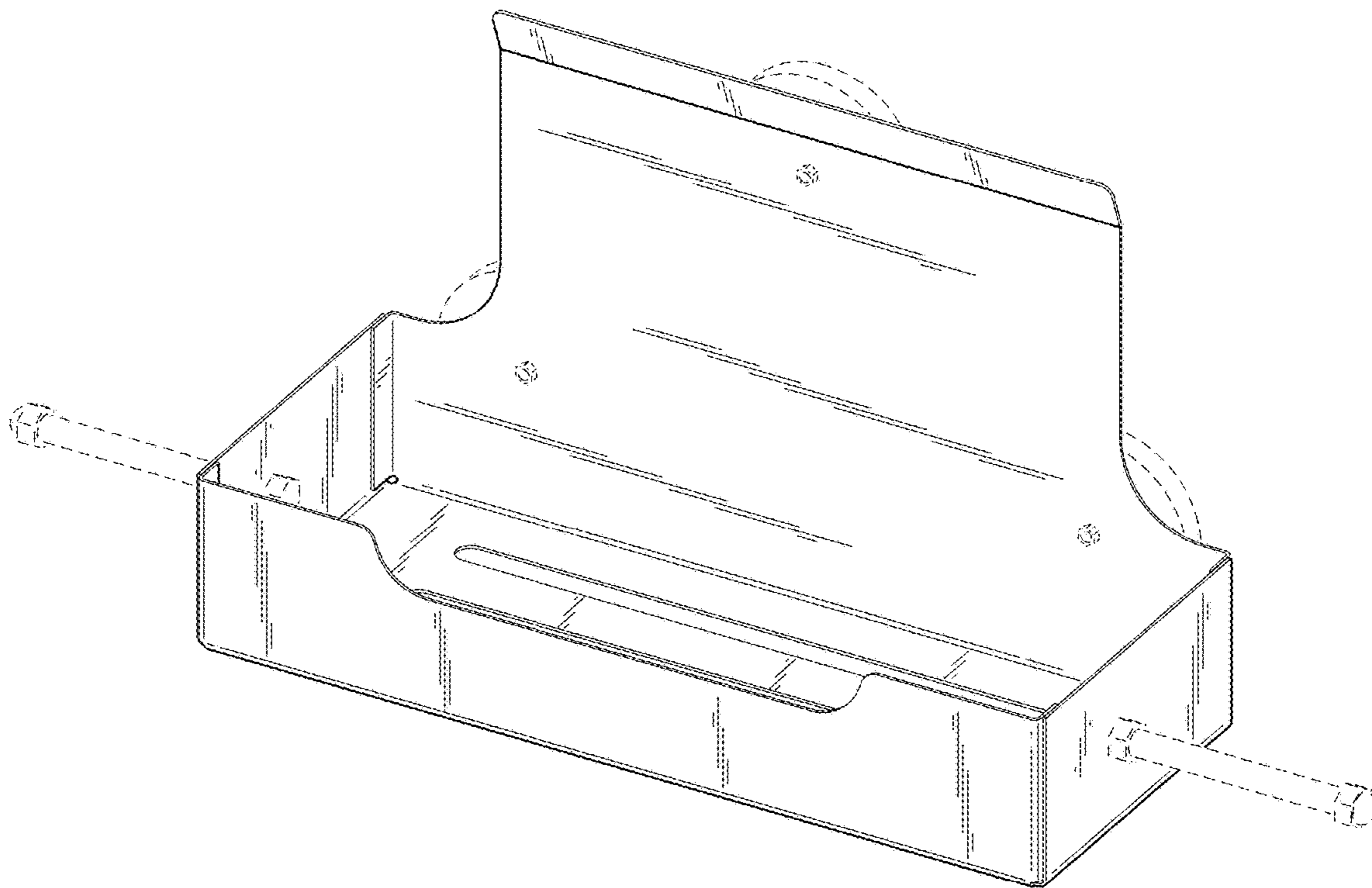
(57) **CLAIM**

The ornamental design for a storage box, as shown and described.

DESCRIPTION

FIG. 1 is a perspective view of the storage box; FIG. 2 is a front view of the storage box; FIG. 3 is a back view of the storage box; FIG. 4 is a side view of the storage box; FIG. 5 is a top view of the storage box; FIG. 6 is a bottom view of the storage box; and, FIG. 7 is a perspective view of the storage box with a removable box secured within the same. The broken line showing is for illustrative purposes only and forms no part of the claimed design.

1 Claim, 6 Drawing Sheets



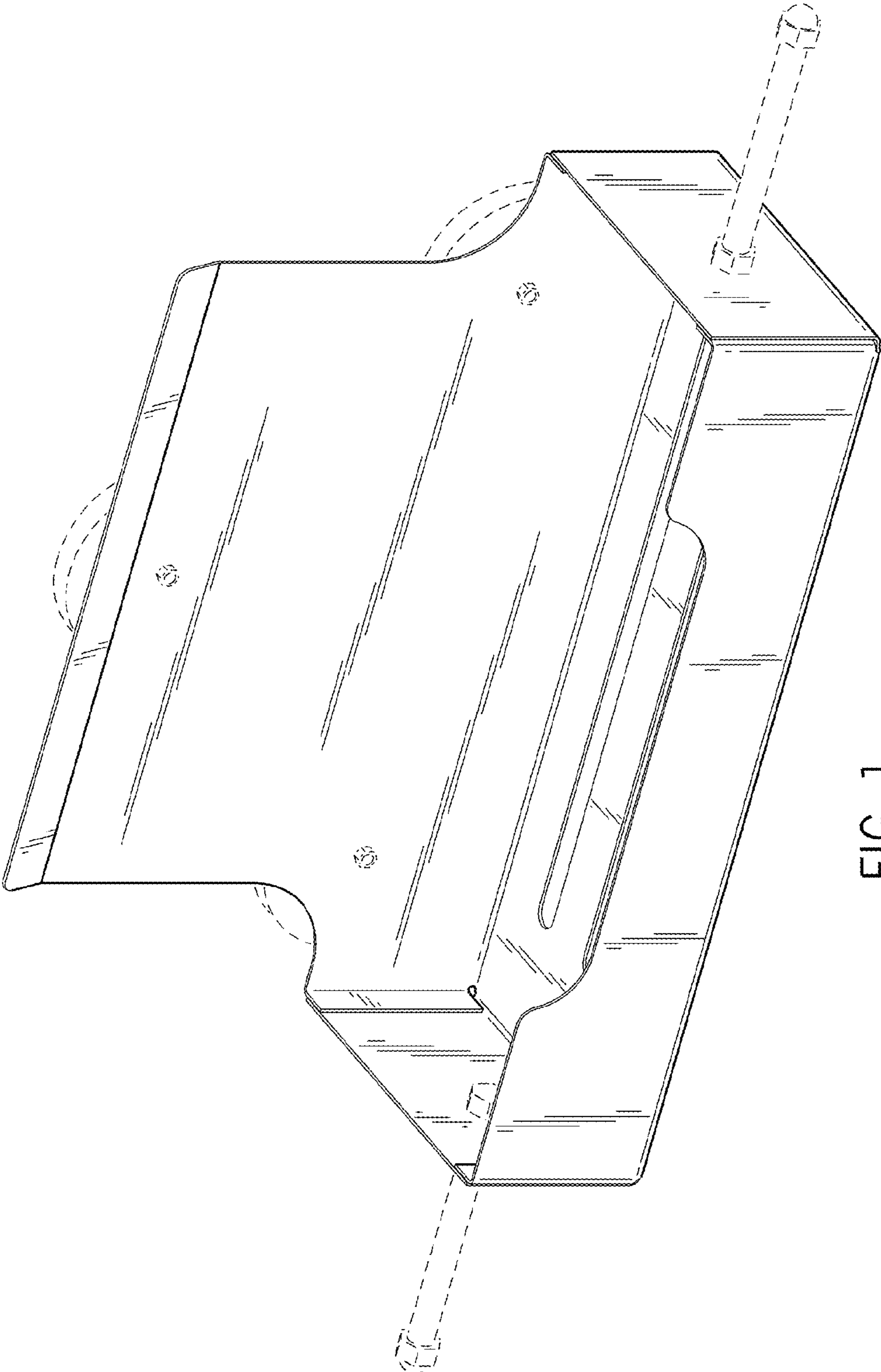


FIG. 1

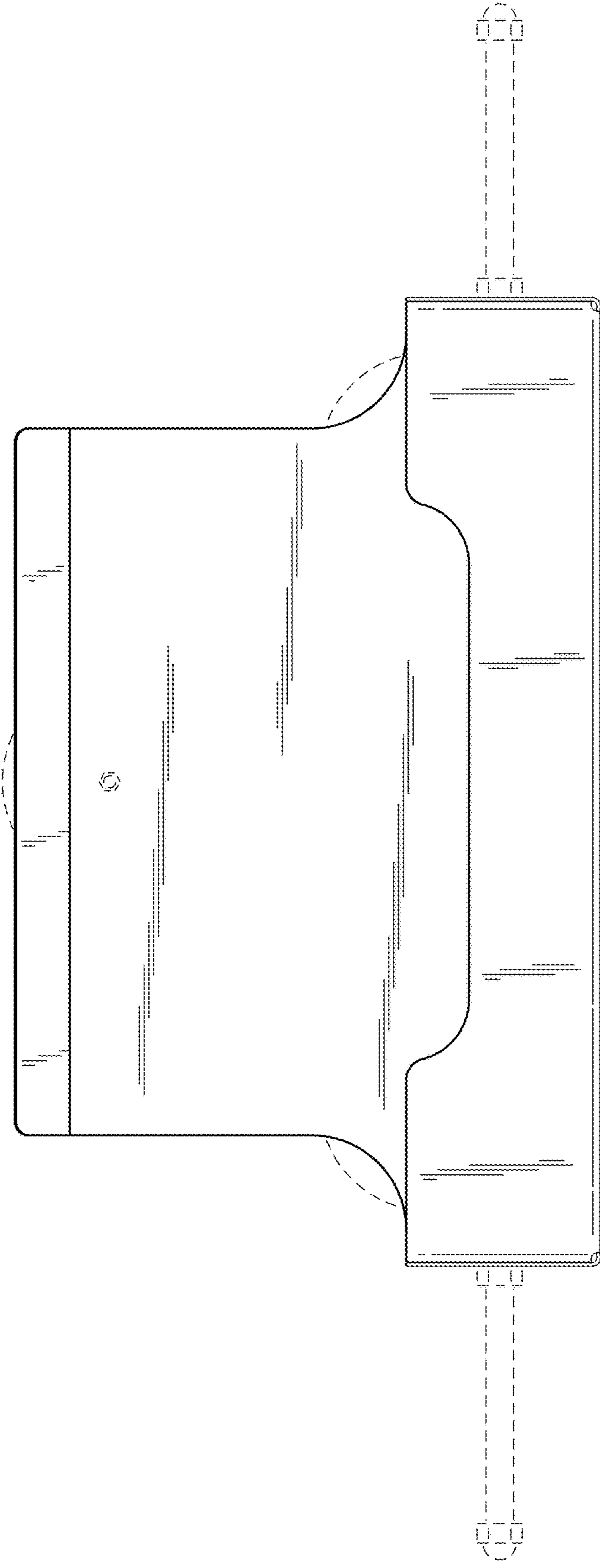


FIG. 2

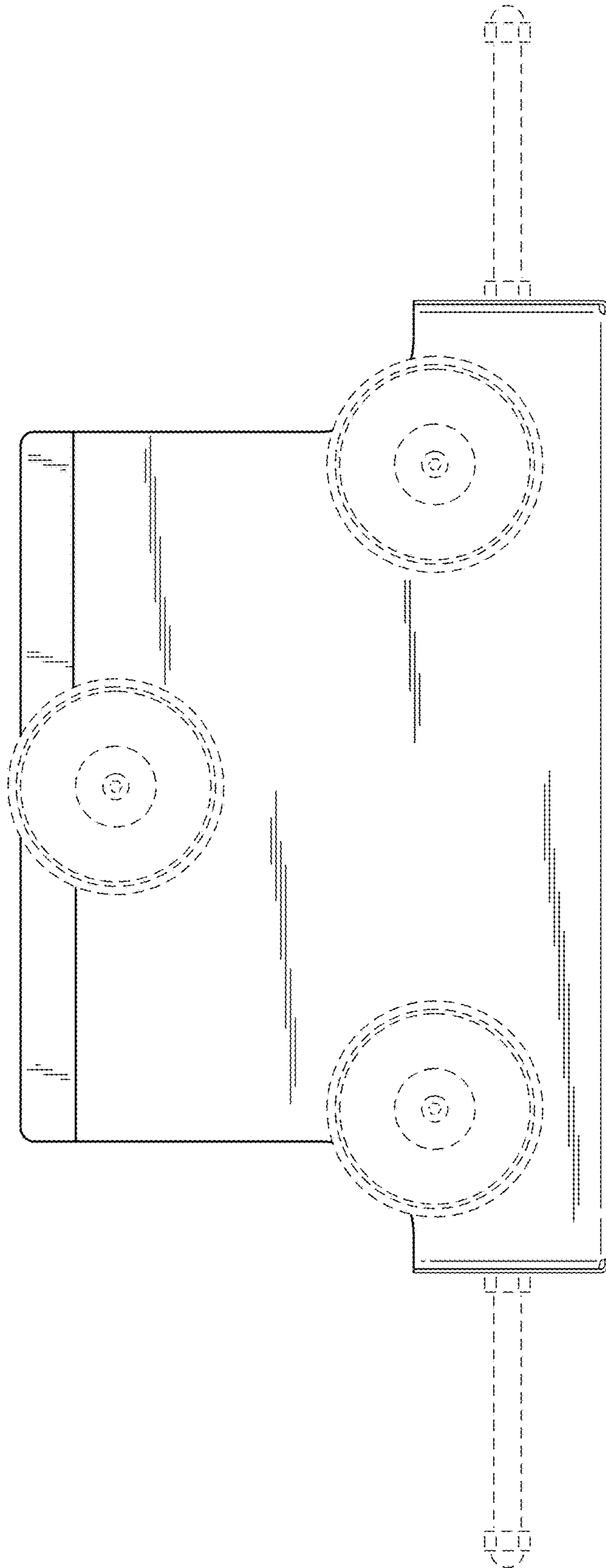


FIG. 3

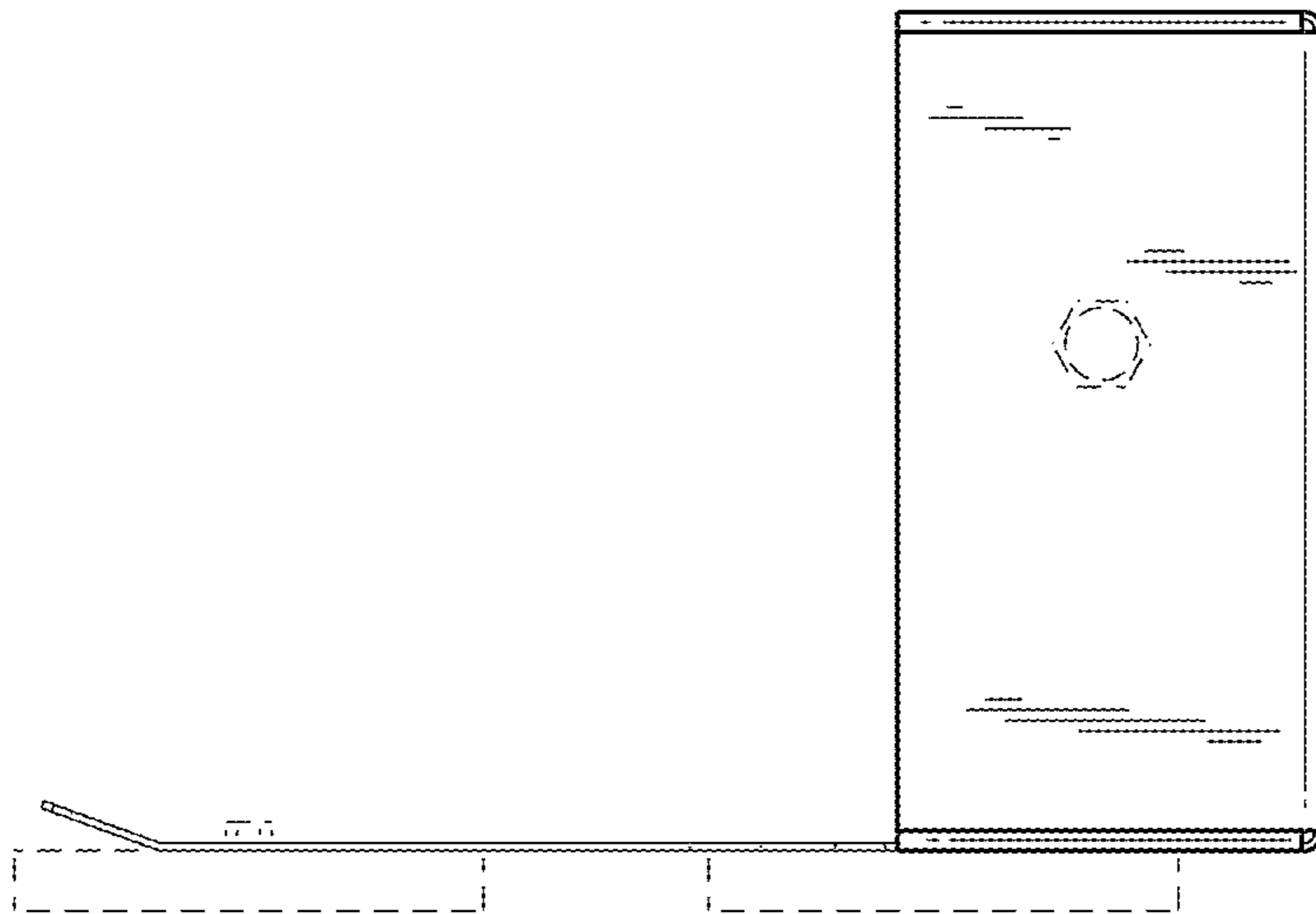
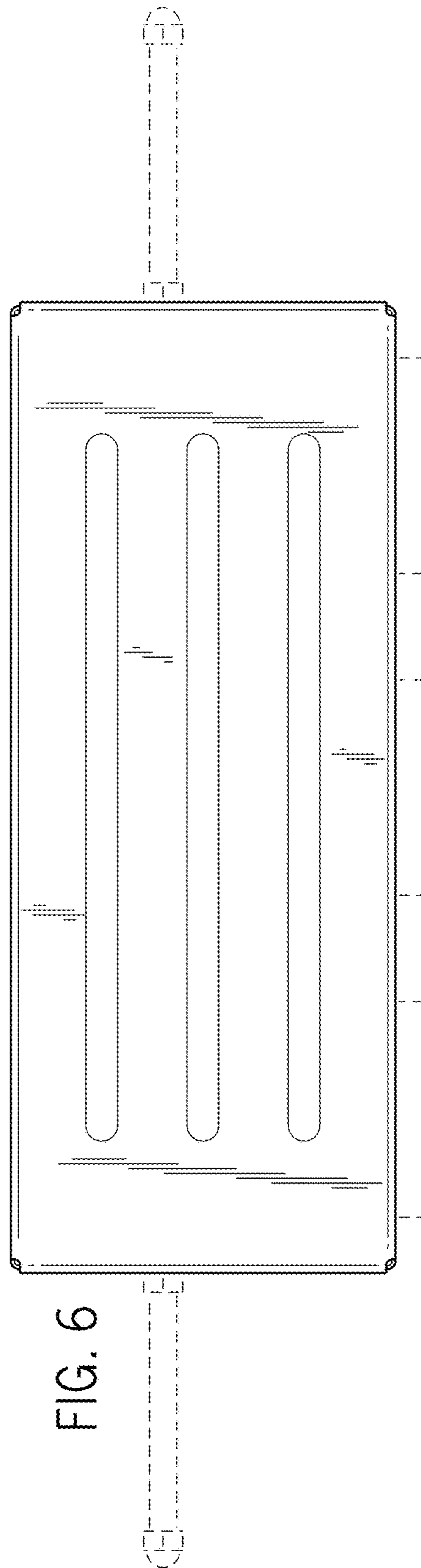
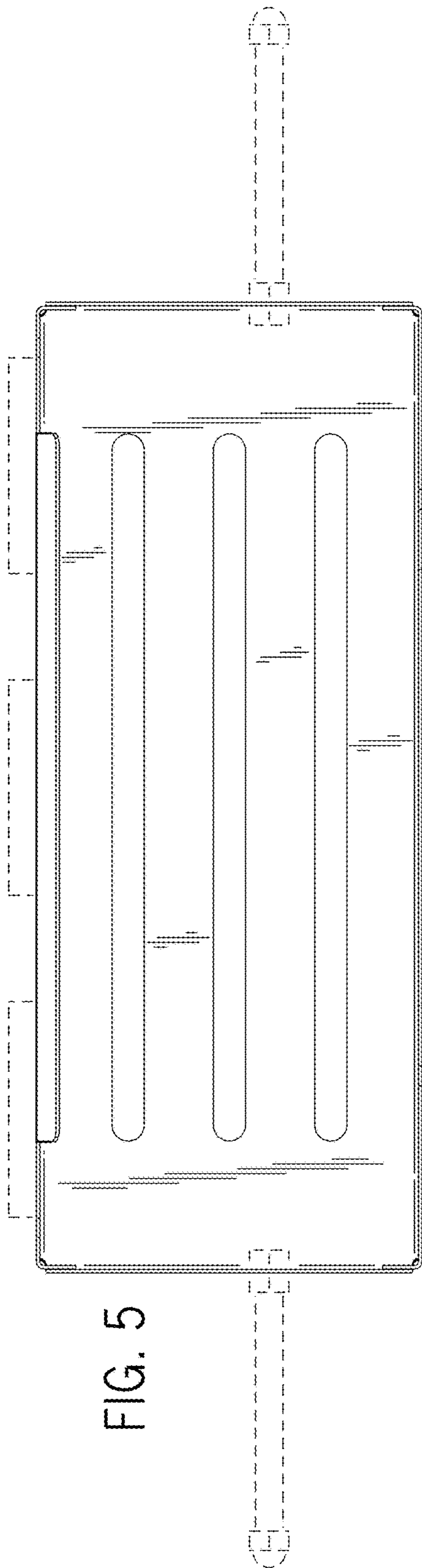


FIG. 4



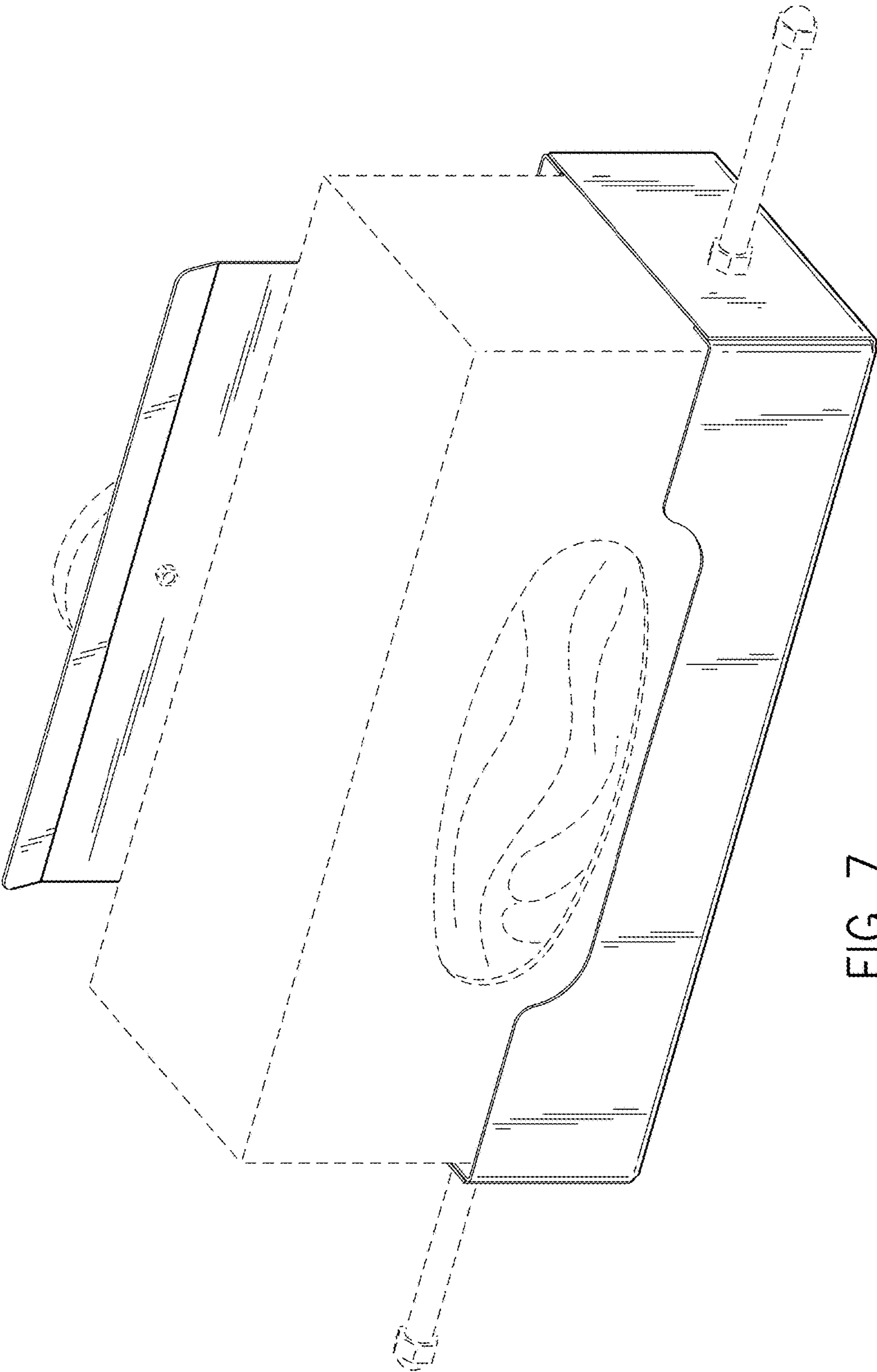


FIG. 7