



US00D783285S

(12) **United States Design Patent**
Hecht et al.

(10) **Patent No.:** **US D783,285 S**
(45) **Date of Patent:** **** Apr. 11, 2017**

- (54) **STORAGE COMPONENT**
- (71) Applicant: **Herman Miller, Inc.**, Zeeland, MI (US)
- (72) Inventors: **Sam Hecht**, London (GB); **Kimberlee Colin**, London (GB); **Philipp Von Lintel**, London (GB); **Ippei Matsumoto**, London (GB)
- (73) Assignee: **Herman Miller, Inc.**, Zeeland, MI (US)
- (**) Term: **15 Years**
- (21) Appl. No.: **29/555,054**
- (22) Filed: **Feb. 18, 2016**

- D308,450 S * 6/1990 Harris D6/406.6
- D308,497 S * 6/1990 Roche D12/133
- D323,435 S * 1/1992 Palacios D2/861
- D323,447 S * 1/1992 Booz D7/705
- D324,192 S * 2/1992 Waltel, Jr. D11/164
- 5,215,205 A 6/1993 Behlman
- D346,741 S 5/1994 McIntyre
- D359,862 S * 7/1995 Rousch D12/419
- D381,515 S * 7/1997 Haynes D24/224
- D417,786 S * 12/1999 Hwang D3/304
- D422,389 S 4/2000 Gay
- D423,531 S 4/2000 Becker
- D425,703 S 5/2000 Ohayon
- D434,802 S 12/2000 Chang
- D442,830 S * 5/2001 Raucci D7/553.5
- D479,930 S 9/2003 Cook et al.
- D483,071 S 12/2003 Chen
- D490,978 S 6/2004 Breyer
- D510,481 S 10/2005 Hodgson

(Continued)

Related U.S. Application Data

- (62) Division of application No. 29/538,619, filed on Sep. 4, 2015, now Pat. No. Des. 752,865, which is a division of application No. 29/457,260, filed on Jun. 7, 2013, now abandoned.
- (51) **LOC (10) Cl.** **03-01**
- (52) **U.S. Cl.**
USPC **D3/304**
- (58) **Field of Classification Search**
USPC D3/304, 307-314, 315; D9/432, 741, 75, D9/77; D6/512, 515, 569
CPC A45C 13/083; A47F 1/04; B65D 71/0003; B65D 2543/00222; B65D 2543/00296
See application file for complete search history.

References Cited

U.S. PATENT DOCUMENTS

- D160,744 S 10/1950 Rizzuto
- D232,524 S 8/1974 Schy

Primary Examiner — Kelley Donnelly

(74) *Attorney, Agent, or Firm* — Michael Best & Friedrich LLP

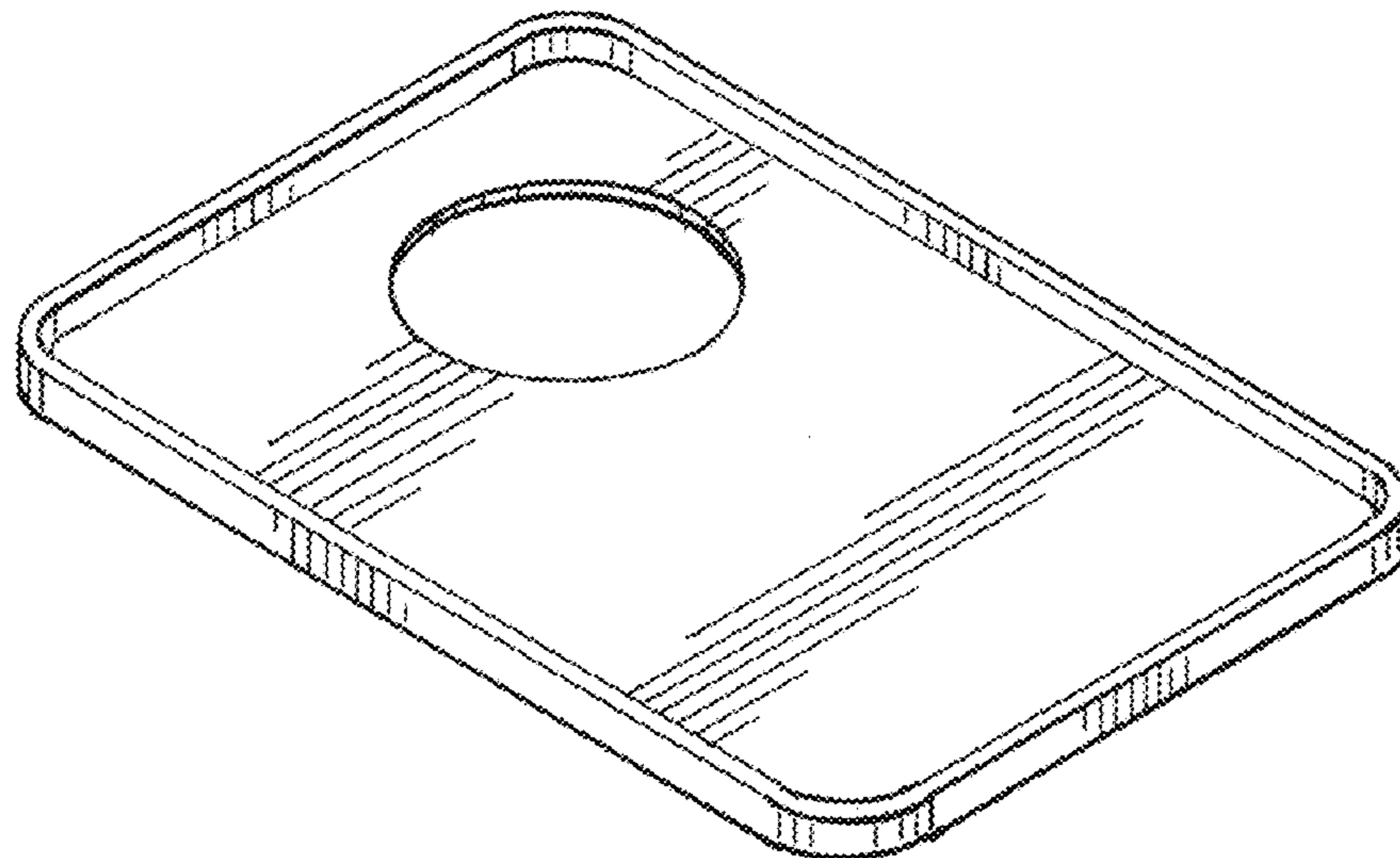
(57) **CLAIM**

We claim the ornamental design for a storage component, as shown and described.

DESCRIPTION

FIG. 1 is a perspective view of a storage component. FIG. 2 is a side view of the storage component. FIG. 3 is an end view of the storage component. FIG. 4 is a top view of the storage component; and, FIG. 5 is a bottom view of the storage component. The broken lines shown in the Figures are for environmental purposes only and do not form any part of the claimed design.

1 Claim, 1 Drawing Sheet



(56)

References Cited

U.S. PATENT DOCUMENTS

D515,114 S *	2/2006	Grobleben	D15/89	D660,892 S	5/2012	Tomlinson	
D519,278 S	4/2006	Boerma		D662,218 S	6/2012	Pittman	
D525,032 S	7/2006	Jones		D662,821 S	7/2012	Ouzts et al.	
D547,064 S	7/2007	Snell		D667,302 S *	9/2012	Jones	D9/456
D573,656 S	7/2008	Wamsley		D676,468 S	2/2013	Lee	
D591,111 S	4/2009	Rzeczkowski		D691,855 S	10/2013	Dabney-Wiggs	
D601,343 S *	10/2009	Franczyk	D3/313	D699,035 S *	2/2014	Hazen	D3/313
D618,821 S	6/2010	Larsen		D699,076 S	2/2014	Harris et al.	
D637,636 S	5/2011	Liao		D710,404 S	8/2014	Park	
D637,648 S	5/2011	Ringl		D712,204 S	9/2014	Hatcher et al.	
D641,385 S	7/2011	Armstrong		D712,750 S	9/2014	Glenn	
D650,397 S	12/2011	Hartsfield, Jr.		D714,840 S	10/2014	Yang et al.	
D651,651 S	1/2012	Beukema et al.		D728,941 S *	5/2015	Stoeckmann	D3/313
D653,049 S	1/2012	Goldszer		D745,581 S	12/2015	Jeon	
D653,767 S	2/2012	Lovshe		D746,637 S *	1/2016	Mairinger	D7/553.2
D654,693 S	2/2012	Freeman		D747,373 S	1/2016	Lee	
D656,970 S	4/2012	Merritt		D751,318 S	3/2016	Kraemer	
D658,407 S	5/2012	Pung		D756,560 S *	5/2016	Ghiotti	D27/186
D659,399 S *	5/2012	Kraemer	D3/304	D760,400 S	6/2016	Grune	
D660,723 S	5/2012	Akana et al.		D766,664 S *	9/2016	Wilson	D7/553.2
				D766,665 S *	9/2016	Shames	D7/554.2
				D771,384 S *	11/2016	Aldredge	D3/313

* cited by examiner

FIG. 1

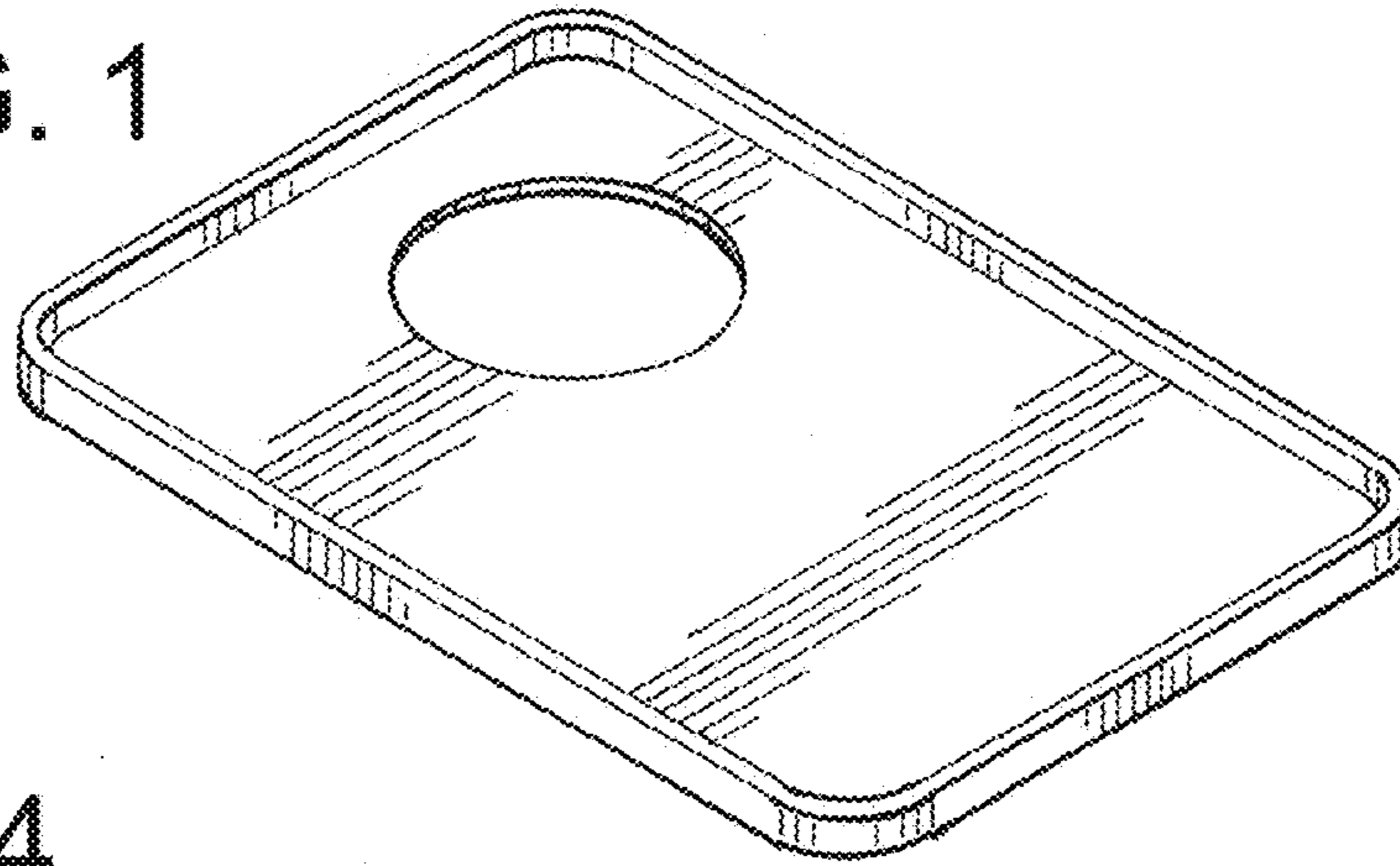


FIG. 4

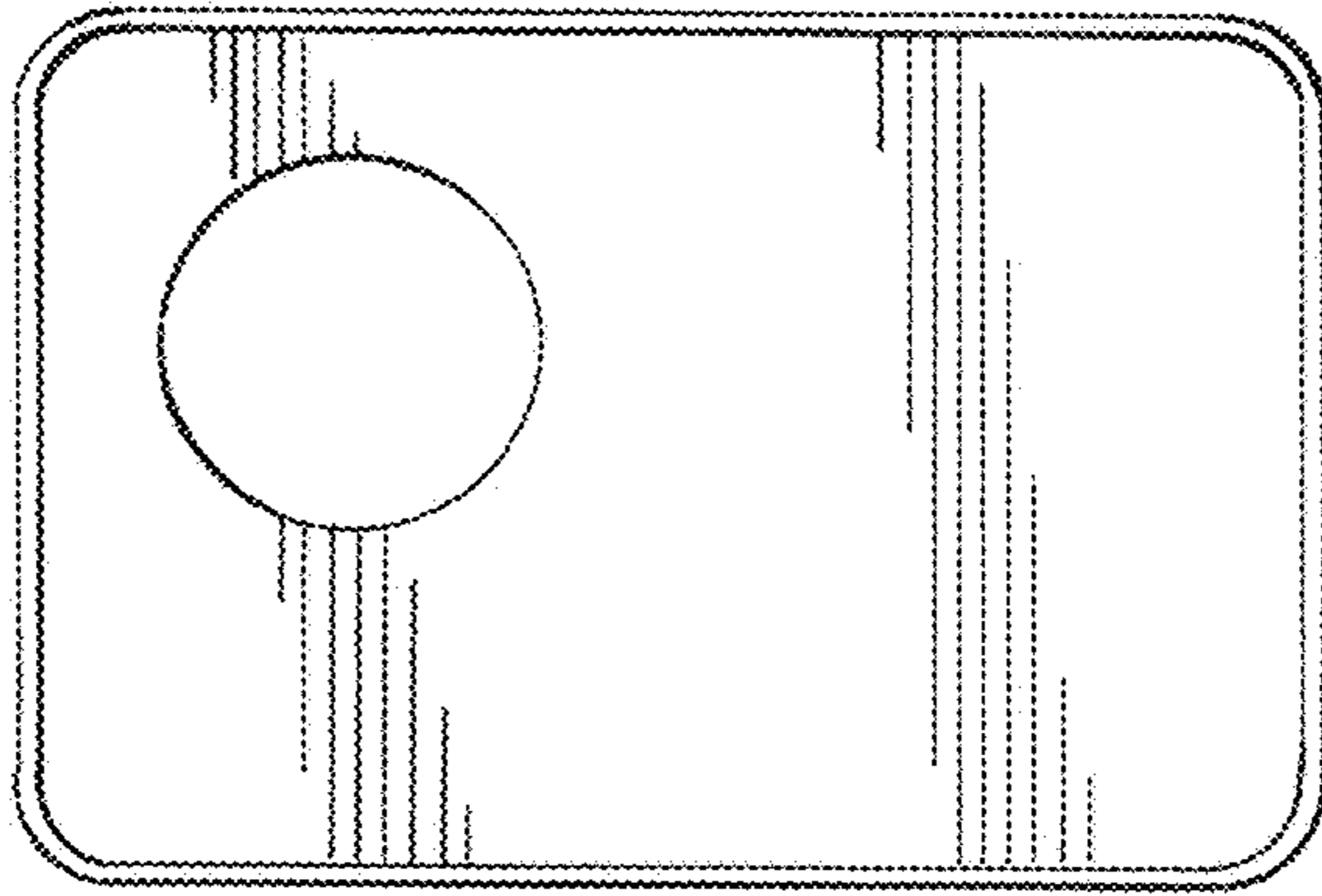


FIG. 2

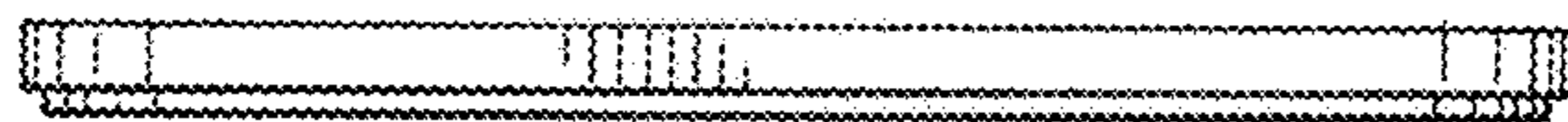


FIG. 3



FIG. 5

