



US00D783284S

(12) **United States Design Patent**
Hecht et al.

(10) **Patent No.:** **US D783,284 S**

(45) **Date of Patent:** **** Apr. 11, 2017**

- (54) **STORAGE COMPONENT**
- (71) Applicant: **Herman Miller, Inc.**, Zeeland, MI (US)
- (72) Inventors: **Sam Hecht**, London (GB); **Kimberlee Colin**, London (GB); **Philipp Von Lintel**, London (GB); **Ippei Matsumoto**, London (GB)
- (73) Assignee: **Herman Miller, Inc.**, Zeeland, MI (US)
- (**) Term: **15 Years**
- (21) Appl. No.: **29/555,053**
- (22) Filed: **Feb. 18, 2016**

D308,450 S *	6/1990	Harris	D6/406.6
D308,497 S	6/1990	Roche		
D323,435 S	1/1992	Palacios		
D323,447 S	1/1992	Booz		
D324,192 S *	2/1992	Waltel, Jr.	D11/164
5,215,205 A	6/1993	Behlman		
D346,741 S	5/1994	McIntyre		
D359,862 S *	7/1995	Rousch	D12/419
D381,515 S *	7/1997	Haynes	D24/224
D417,786 S *	12/1999	Hwang	D3/304
D422,389 S	4/2000	Gay		
D423,531 S	4/2000	Becker		
D425,703 S	5/2000	Ohayon		
D434,802 S	12/2000	Chang		
D442,830 S *	5/2001	Raucci	D7/553.5
D479,930 S	9/2003	Cook et al.		
D483,071 S	12/2003	Chen		

(Continued)

Related U.S. Application Data

- (62) Division of application No. 29/538,619, filed on Sep. 4, 2015, now Pat. No. Des. 752,865, which is a division of application No. 29/457,260, filed on Jun. 7, 2013, now abandoned.
- (51) **LOC (10) Cl.** **03-01**
- (52) **U.S. Cl.**
USPC **D3/304**
- (58) **Field of Classification Search**
USPC D3/304, 307-314, 315; D9/432, 741, 75, D9/77; D6/512, 515, 569
CPC A45C 13/083; A47F 1/04; B65D 71/0003; B65D 2543/00222; B65D 2543/00296
See application file for complete search history.

References Cited

U.S. PATENT DOCUMENTS

D160,744 S	10/1950	Rizzuto
D232,524 S	8/1974	Schy

Primary Examiner — Kelley Donnelly

(74) *Attorney, Agent, or Firm* — Michael Best & Friedrich LLP

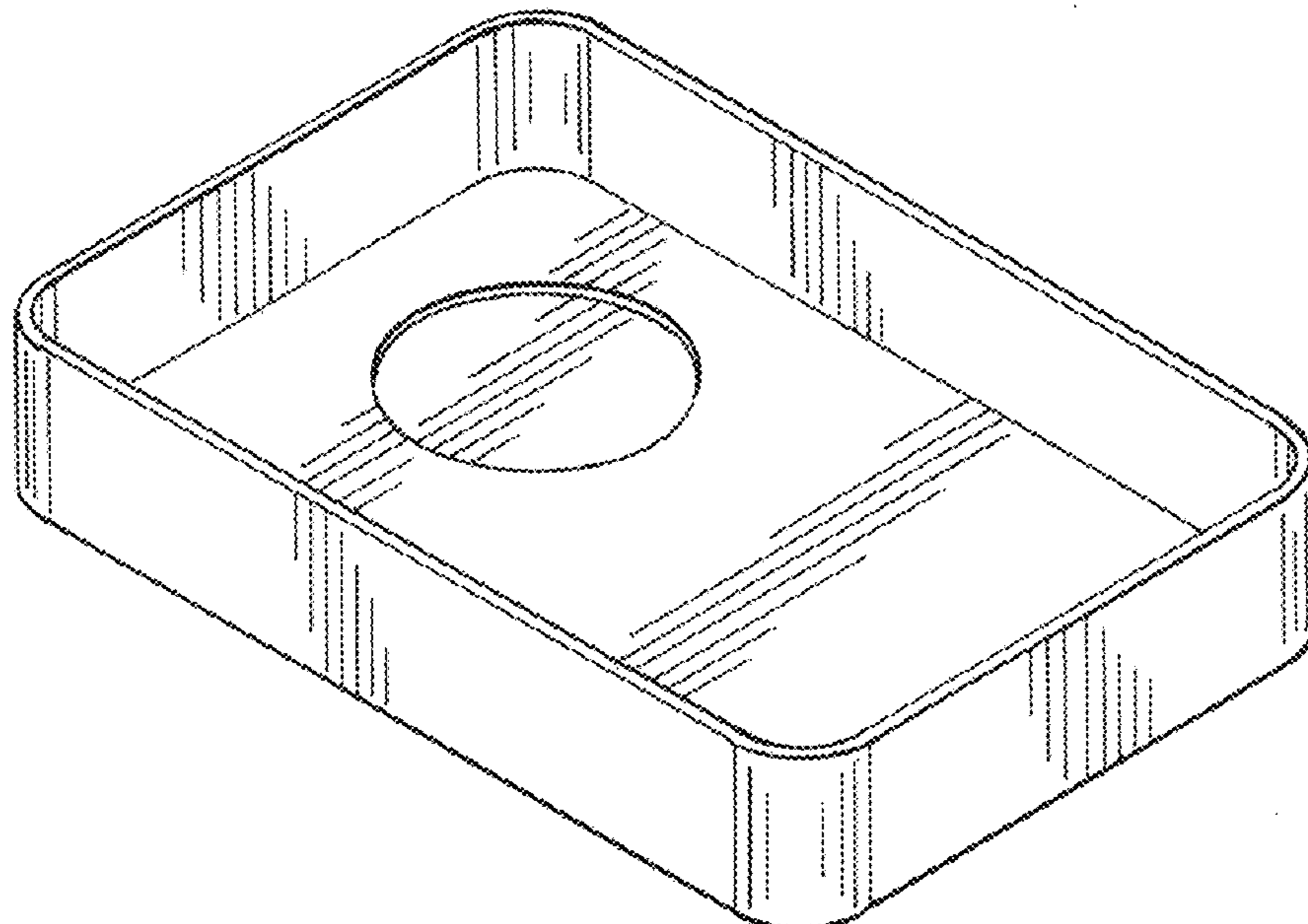
(57) **CLAIM**

We claim the ornamental design for a storage component, as shown and described.

DESCRIPTION

FIG. 1 is a perspective view of a storage component. FIG. 2 is right side view of the storage component, with a left side view being a mirror image thereof. FIG. 3 is a front view of the storage component, with a rear view being a mirror image thereof. FIG. 4 is a top view of the storage component; and, FIG. 5 is a bottom view of the storage component. The broken lines shown in the Figures are for environmental purposes only and do not form any part of the claimed design.

1 Claim, 1 Drawing Sheet



(56)

References Cited

U.S. PATENT DOCUMENTS

D490,978 S	6/2004	Breyer	
D510,481 S	10/2005	Hodgson	
D515,114 S *	2/2006	Grobleben	D15/89
D519,278 S	4/2006	Boerma	
D525,032 S	7/2006	Jones	
D547,064 S	7/2007	Snell	
D573,656 S	7/2008	Wamsley	
D591,111 S	4/2009	Rzeczkowski	
D601,343 S *	10/2009	Franczyk	D3/313
D618,821 S	6/2010	Larsen	
D637,636 S	5/2011	Liao	
D637,648 S	5/2011	Ringl	
D641,385 S	7/2011	Armstrong	
D650,397 S	12/2011	Hartsfield, Jr.	
D651,651 S	1/2012	Beukema et al.	
D653,049 S	1/2012	Goldszer	
D653,767 S	2/2012	Lovshe	
D654,693 S	2/2012	Freeman	
D656,970 S	4/2012	Merritt	
D658,407 S	5/2012	Pung	
D659,399 S *	5/2012	Kraemer	D3/304
D660,723 S	5/2012	Akana et al.	
D660,892 S	5/2012	Tomlinson	
D662,218 S	6/2012	Pittman	
D662,821 S	7/2012	Ouzts et al.	
D667,302 S	9/2012	Jones et al.	
D676,468 S	2/2013	Lee	
D691,855 S	10/2013	Dabney-Wiggs	
D699,035 S *	2/2014	Hazen	D3/313
D699,076 S	2/2014	Harris et al.	
D710,404 S	8/2014	Park	
D712,204 S	9/2014	Hatcher et al.	
D712,750 S	9/2014	Glenn	
D714,840 S	10/2014	Yang et al.	
D728,941 S *	5/2015	Stoeckmann	D3/313
D745,581 S	12/2015	Jeon	
D746,637 S	1/2016	Mairinger	
D747,373 S	1/2016	Lee	
D751,318 S	3/2016	Kraemer	
D756,560 S *	5/2016	Ghiotti	D27/186
D760,400 S	6/2016	Grune	
D766,664 S *	9/2016	Wilson	D7/553.2
D766,665 S *	9/2016	Shames	D7/554.2
D771,384 S	11/2016	Aldredge et al.	

* cited by examiner

FIG. 1

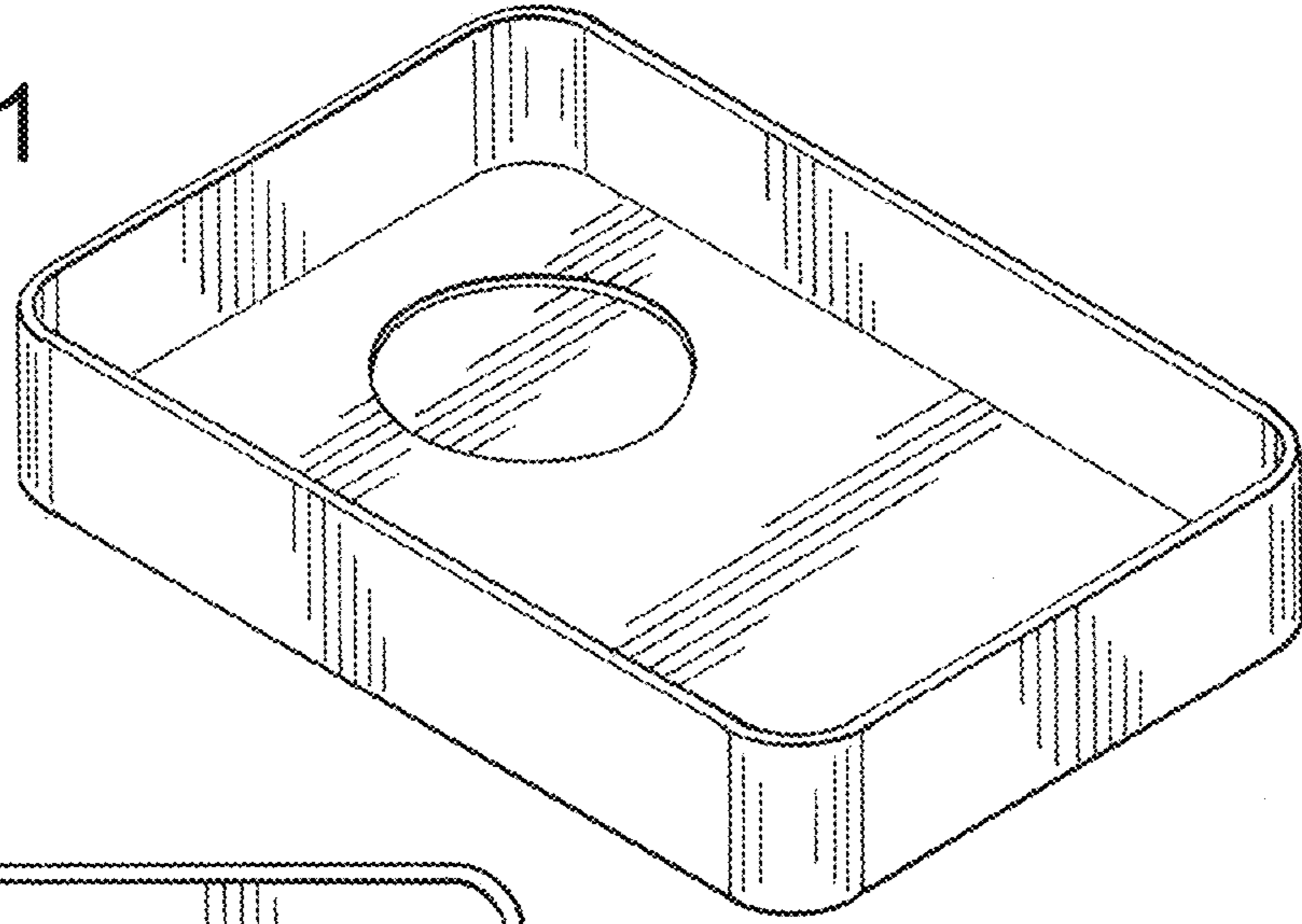


FIG. 4

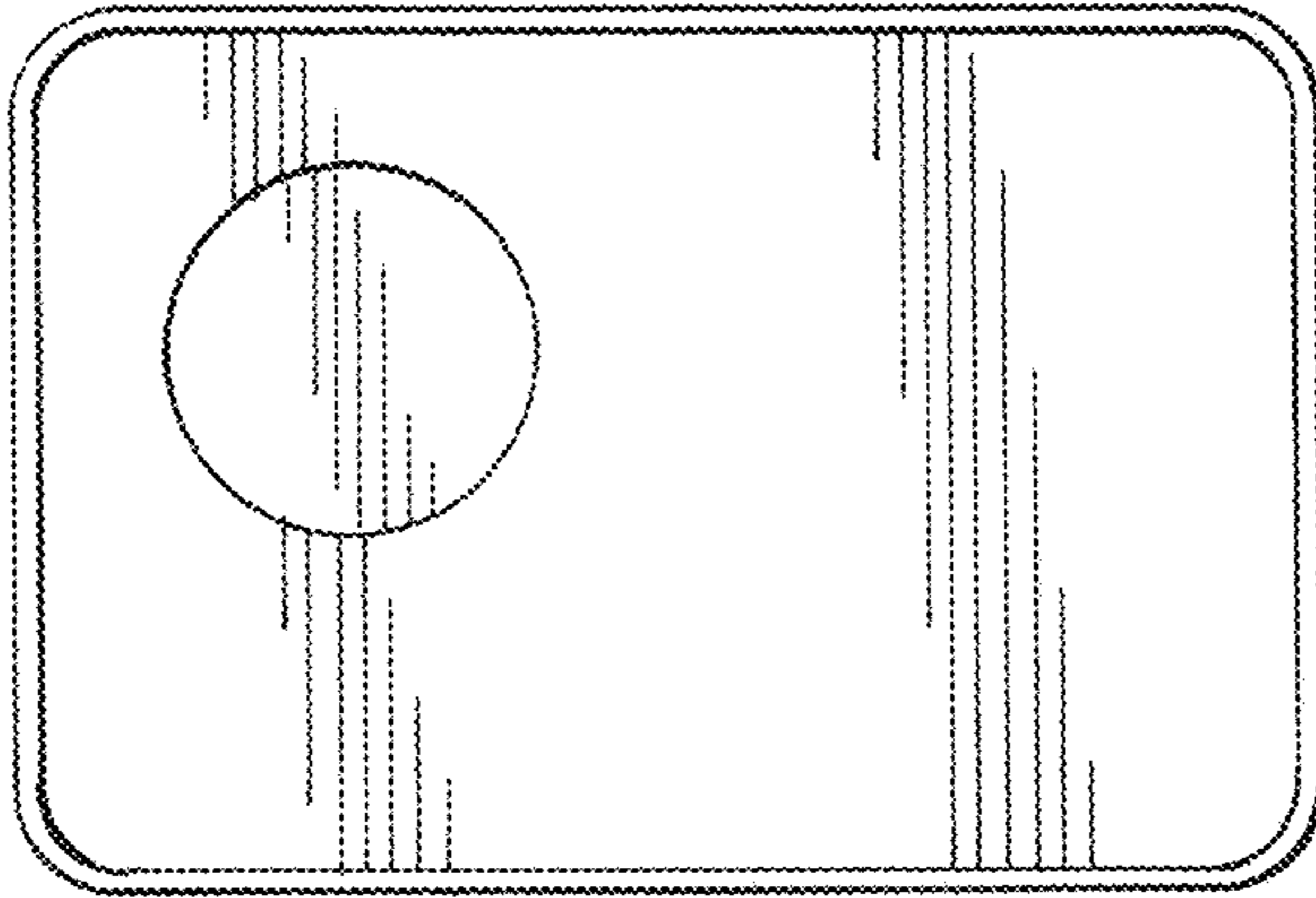


FIG. 2

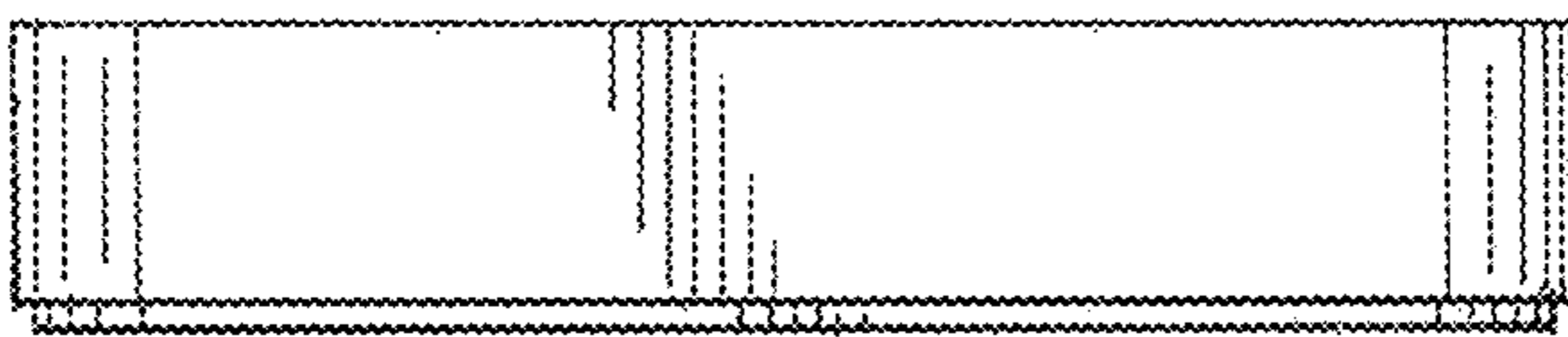


FIG. 3

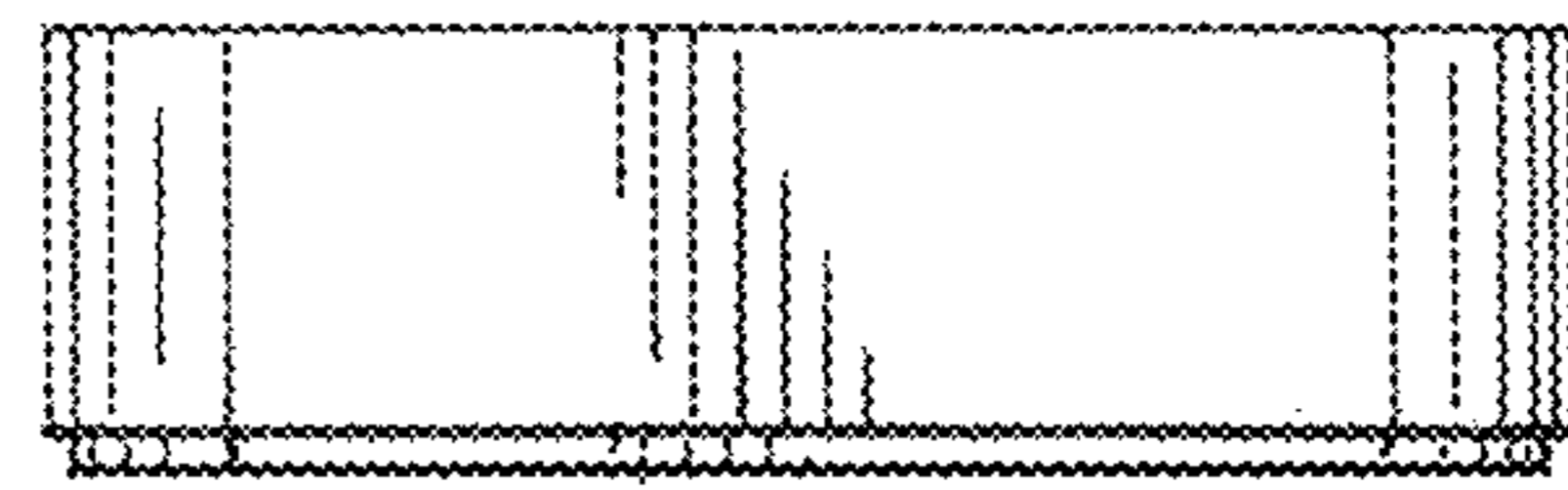


FIG. 5

