



US00D783283S

(12) **United States Design Patent**
McComb et al.

(10) **Patent No.:** **US D783,283 S**

(45) **Date of Patent:** **** *Apr. 11, 2017**

(54) **UNDERWATER CUTTING ROD CONTAINER**

D574,605 S * 8/2008 Schroeder et al. D3/201
D660,591 S * 5/2012 Okulla et al. D3/294
D677,047 S * 3/2013 Watson D3/203.5

(71) Applicant: **BROCO, INC.**, Rancho Cucamonga,
CA (US)

* cited by examiner

(72) Inventors: **David Dean McComb**, Highland, CA
(US); **George Ray Hirvela**, Riverside,
CA (US)

Primary Examiner — Robert M Spear

(73) Assignee: **Broco, Inc.**, Rancho Cucamonga, CA
(US)

(74) *Attorney, Agent, or Firm* — Knobbe Martens Olson
& Bear LLP

(*) Notice: This patent is subject to a terminal dis-
claimer.

(57) **CLAIM**

(**) Term: **14 Years**

The ornamental design for an underwater cutting rod con-
tainer, as shown and described.

(21) Appl. No.: **29/443,195**

(22) Filed: **Jan. 14, 2013**

(51) **LOC (10) Cl.** **03-01**

(52) **U.S. Cl.**

USPC **D3/302**

(58) **Field of Classification Search**

USPC 220/276, 318, 367.1, 780, 784, 795, 8;
134/143; 206/5; D3/30.1, 201, 203.5,
D3/205, 206, 271.1, 273, 276, 294;
D19/77; D27/186

CPC A45C 11/04; A45C 11/005; A45C 11/043;
A45F 2200/0541; G02C 5/006

See application file for complete search history.

DESCRIPTION

FIG. 1 is a perspective view of a underwater cutting rod
container of the present invention;

FIG. 2 is a front elevational view of the container of FIG. 1;

FIG. 3 is a first side elevational view of the container of FIG.
1;

FIG. 4 is a second side elevational view the container of
FIG. 1;

FIG. 5 is a back side elevational view of the container of
FIG. 1;

FIG. 6 is a bottom view of the container of FIG. 1; and,

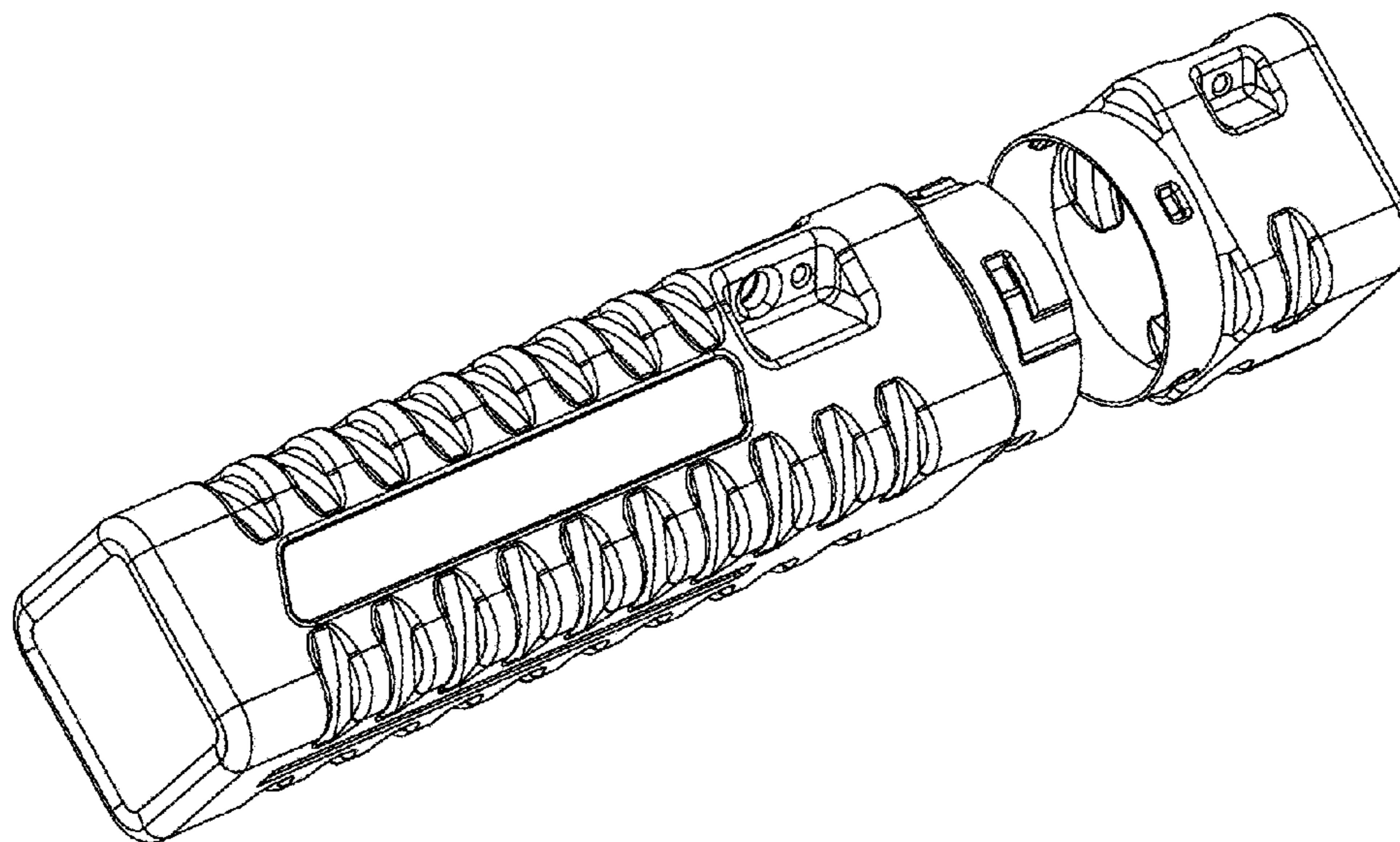
FIG. 7 is a top view of the container of FIG. 1.

(56) **References Cited**

U.S. PATENT DOCUMENTS

3,524,455 A * 8/1970 Hoogesteger et al. 134/143
D276,285 S * 11/1984 Tober et al. D3/300
D417,949 S * 12/1999 Fantinelli D3/206
D517,315 S * 3/2006 Amin D3/273
D535,476 S * 1/2007 Pennington D3/271.1

1 Claim, 6 Drawing Sheets



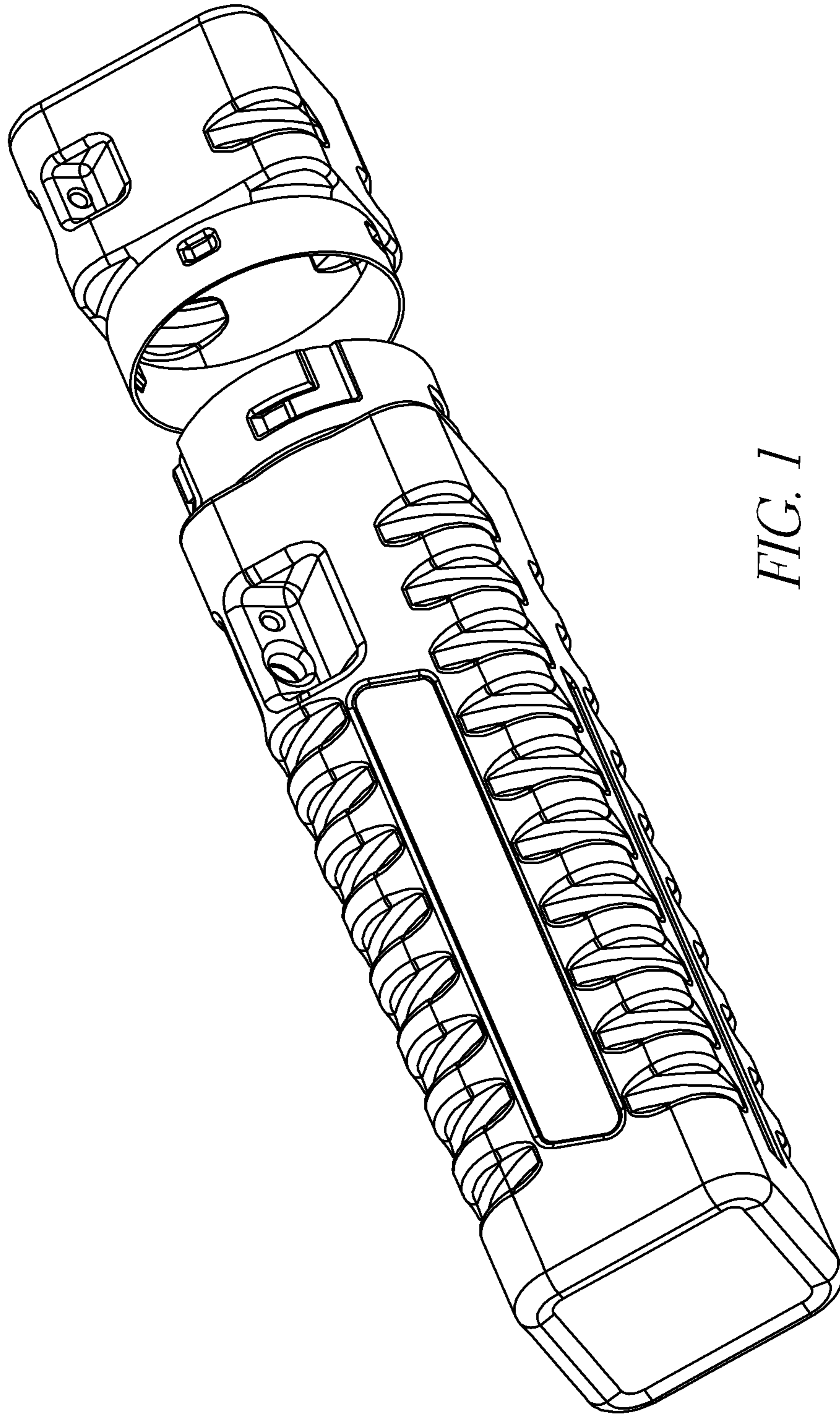


FIG. 1

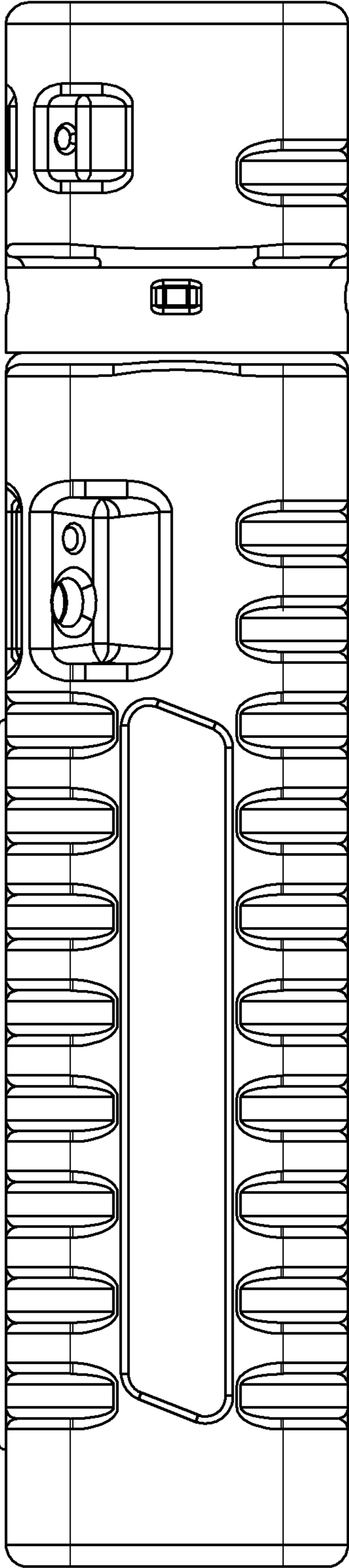


FIG. 2

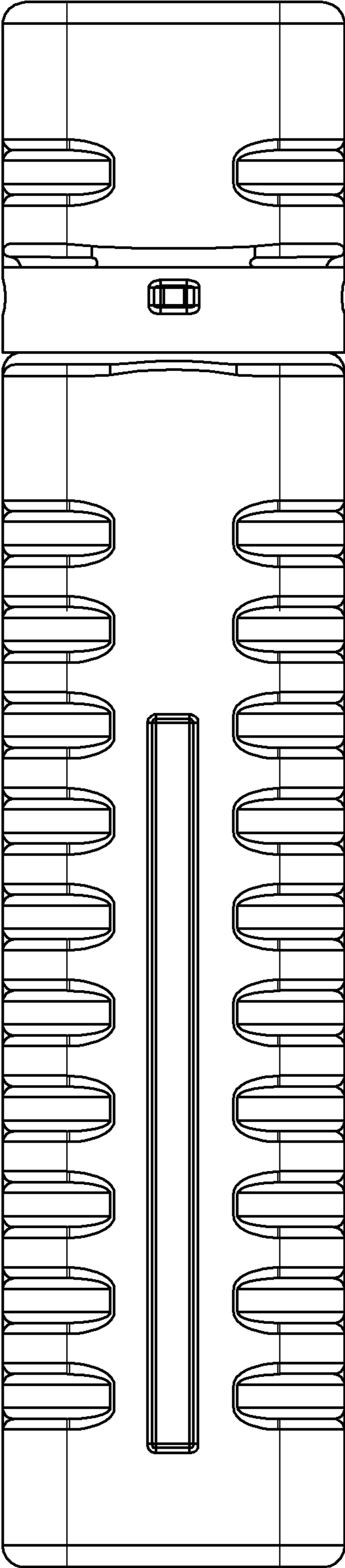


FIG. 3

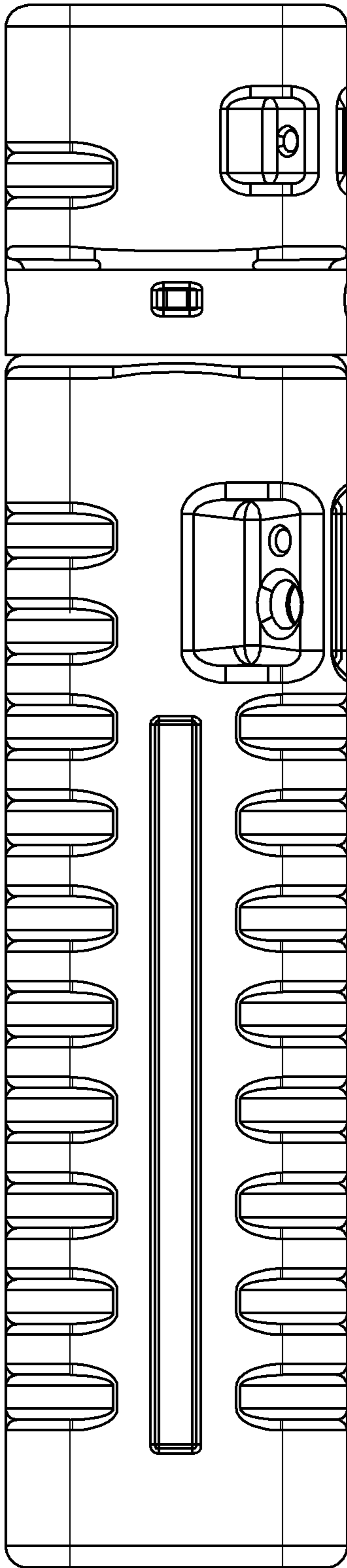


FIG. 4

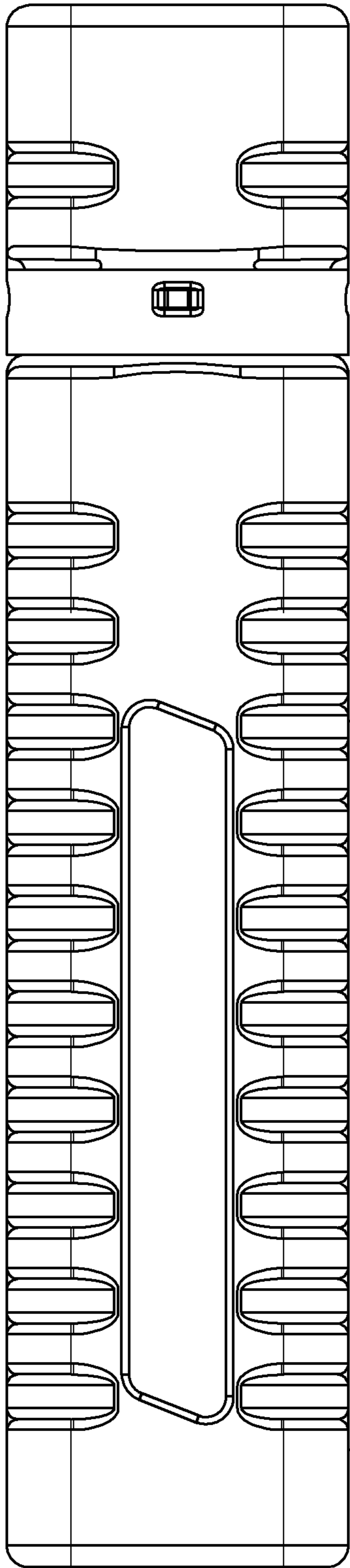


FIG. 5

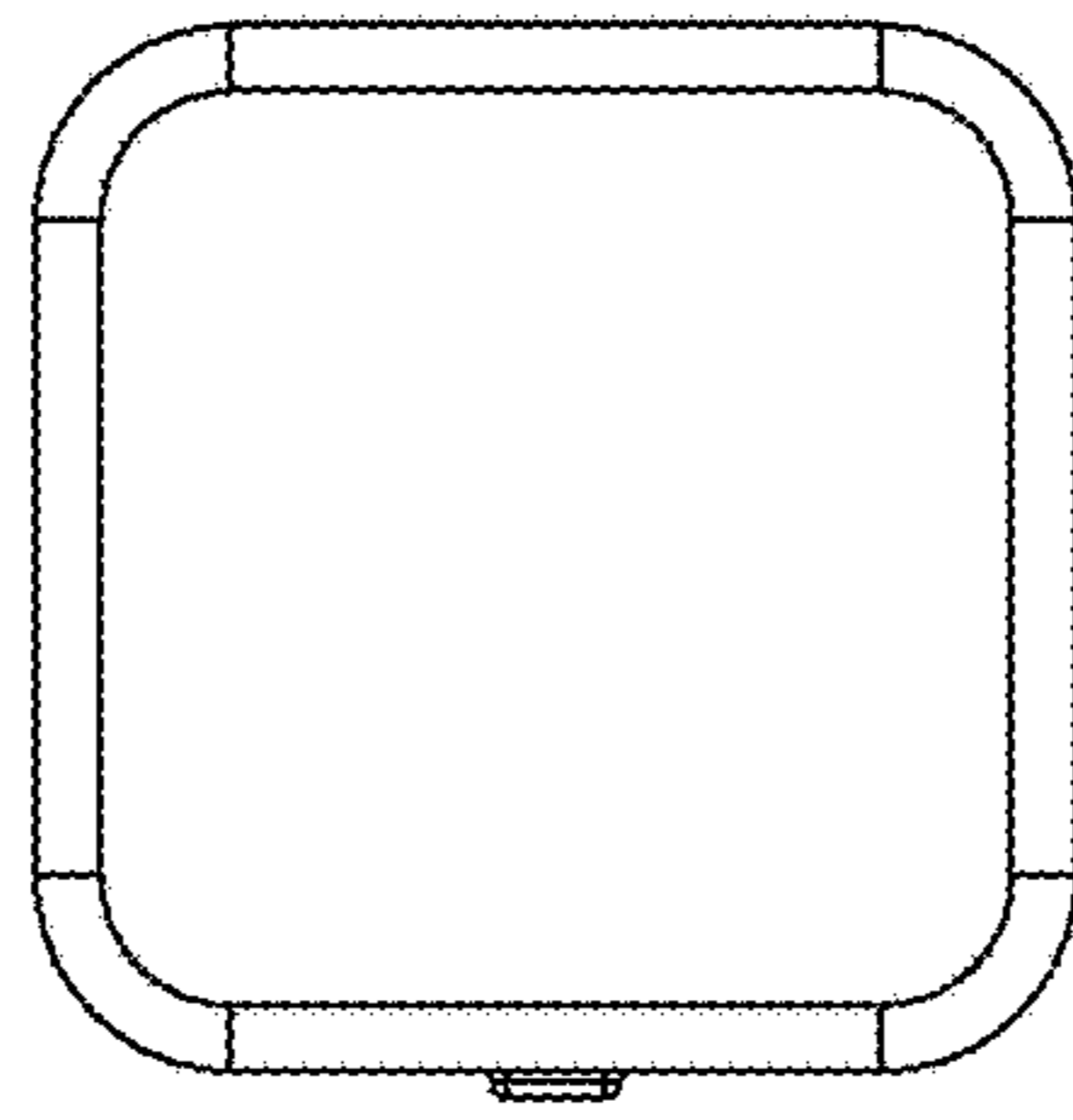


FIG. 7

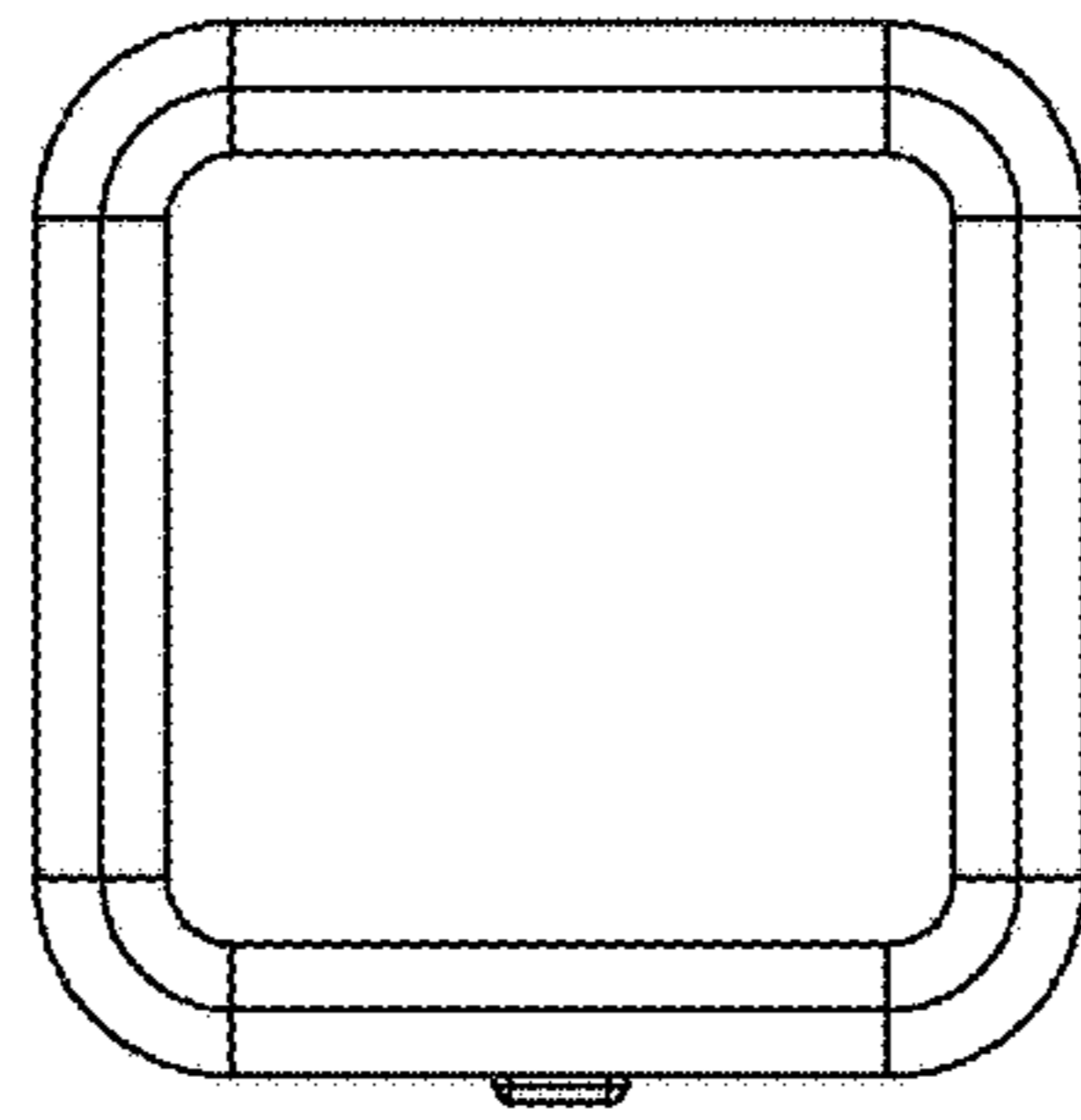


FIG. 6