



US00D783281S

(12) **United States Design Patent** (10) **Patent No.:** **US D783,281 S**
Hamernik (45) **Date of Patent:** **** Apr. 11, 2017**

(54) **AMMO BUCKET**
(71) Applicant: **Michael Hamernik**, San Fernando, CA (US)
(72) Inventor: **Michael Hamernik**, San Fernando, CA (US)
(73) Assignee: **Hollywood Polymer Technology, Inc.**, San Fernando, CA (US)

(**) Term: **15 Years**
(21) Appl. No.: **29/544,992**

(22) Filed: **Nov. 9, 2015**
(51) **LOC (10) Cl.** **03-01**
(52) **U.S. Cl.**
USPC **D3/262**
(58) **Field of Classification Search**
USPC D3/201, 221, 225, 262, 272, 276, 315, D3/291; D7/605-607
CPC B65D 45/22; B65D 45/02; B65D 45/32; B65D 1/00; B65D 13/00; B65D 15/00; B65D 2543/00194; B65D 21/0201; F42B 39/00-39/30
See application file for complete search history.

(56) **References Cited**
U.S. PATENT DOCUMENTS
1,120,244 A * 12/1914 Sachtleben F42B 39/00 206/3
2,486,949 A * 11/1949 Hutchison F42B 39/00 206/3
3,039,650 A * 6/1962 Hoffmann B65D 21/0202 206/3
3,757,933 A * 9/1973 Banta F42B 39/20 206/3
D239,249 S * 3/1976 Branscum D7/605

D281,695 S * 12/1985 Ryan, Jr. D7/605
D283,480 S * 4/1986 Bailey D7/605
D290,080 S * 6/1987 Carlson D7/605
(Continued)

OTHER PUBLICATIONS

Muth, Douglas (Sep. 3, 2007). Ammo Box photo [flickr.com]. Retrieved Jan. 14, 2016, from <https://www.flickr.com/photos/dmuth/1315574208/>.

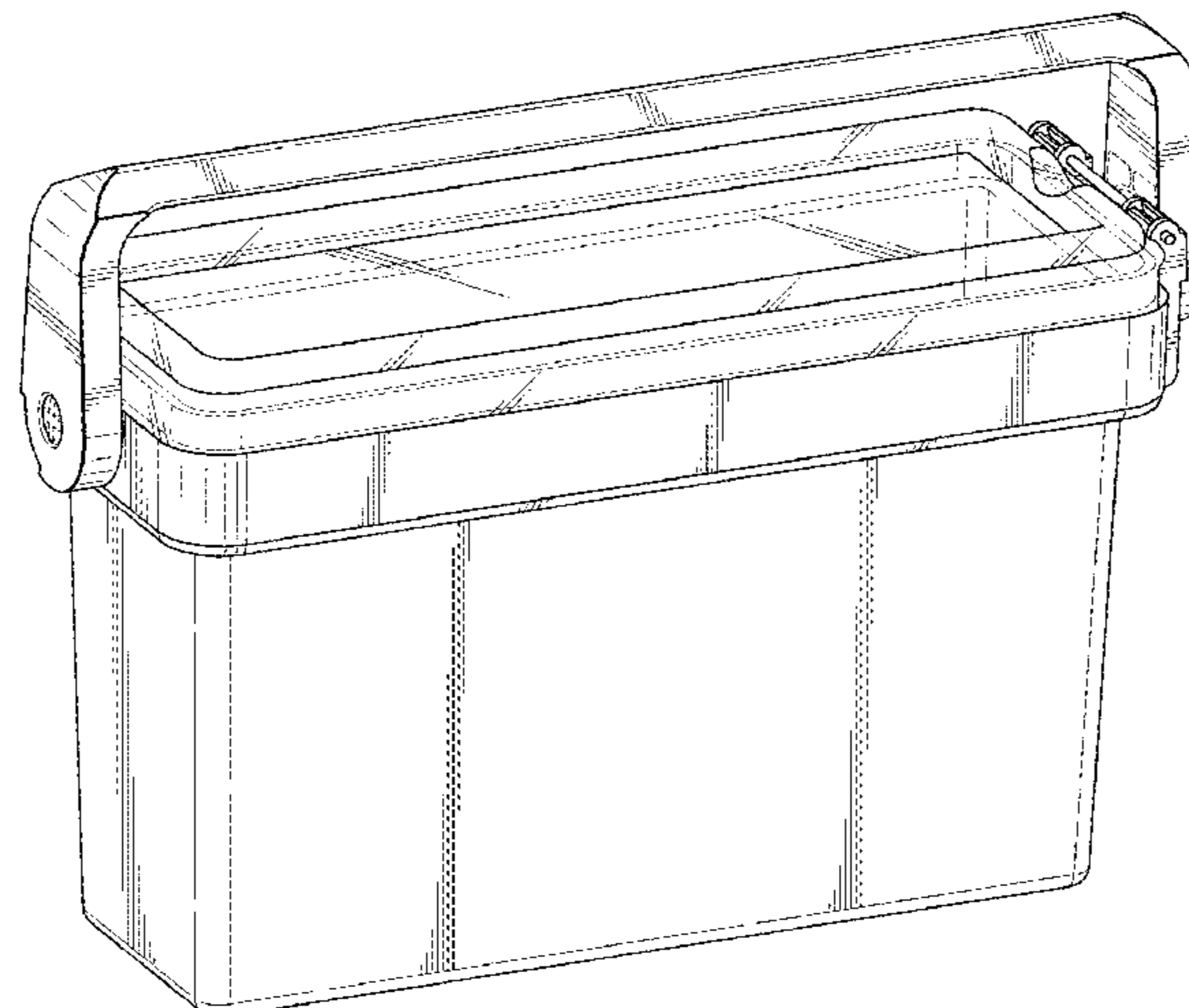
Primary Examiner — Mitchell Siegel
(74) *Attorney, Agent, or Firm* — Brooks Acordia IP Law, PC

(57) **CLAIM**
The ornamental design for a ammo bucket, as shown and described.

DESCRIPTION

FIG. 1 is a perspective view of an ammo bucket showing our new design;
FIG. 2 is a front elevational view of the embodiment of FIG. 1;
FIG. 3 is top plan view of the embodiment of FIG. 1;
FIG. 4 is a back side elevational view of the embodiment of FIG. 1;
FIG. 5 is a bottom plan view of the embodiment of FIG. 1;
FIG. 6 is a left side elevational view of the embodiment of FIG. 1;
FIG. 7 is a right side elevational view of the embodiment of FIG. 1; and,
FIG. 8 is a bottom perspective view of the embodiment of FIG. 1.
Surface shading is used to shade FIGS. 1-8 to show clearly the character and contour of all surfaces of the 3-dimensional aspects of the design and form a part of the design sought to be protected. Oblique line shading is used to show transparent or translucent surfaces.

1 Claim, 4 Drawing Sheets



(56)

References Cited

U.S. PATENT DOCUMENTS

D305,714 S *	1/1990	Carlson	D7/605
D305,851 S *	2/1990	Carlson	D7/605
D312,173 S *	11/1990	Smith	D22/112
D325,324 S *	4/1992	Kahl	D7/605
D325,853 S *	5/1992	Kahl	D7/605
D337,232 S *	7/1993	Kahl	D7/605
D340,167 S *	10/1993	Kahl	D7/605
5,329,787 A *	7/1994	Friday	F25D 3/08
			62/372
D349,215 S *	8/1994	Mercado	D7/605
D353,305 S *	12/1994	Miller	D7/605
D353,306 S *	12/1994	Miller	D7/605
D369,722 S *	5/1996	Lopez, Jr.	D7/605
D600,443 S *	9/2009	Hinds	D3/262
D712,141 S *	9/2014	Minneman	D3/262
D741,597 S *	10/2015	Minneman	D3/262
D758,726 S *	6/2016	Minneman	D3/262

* cited by examiner

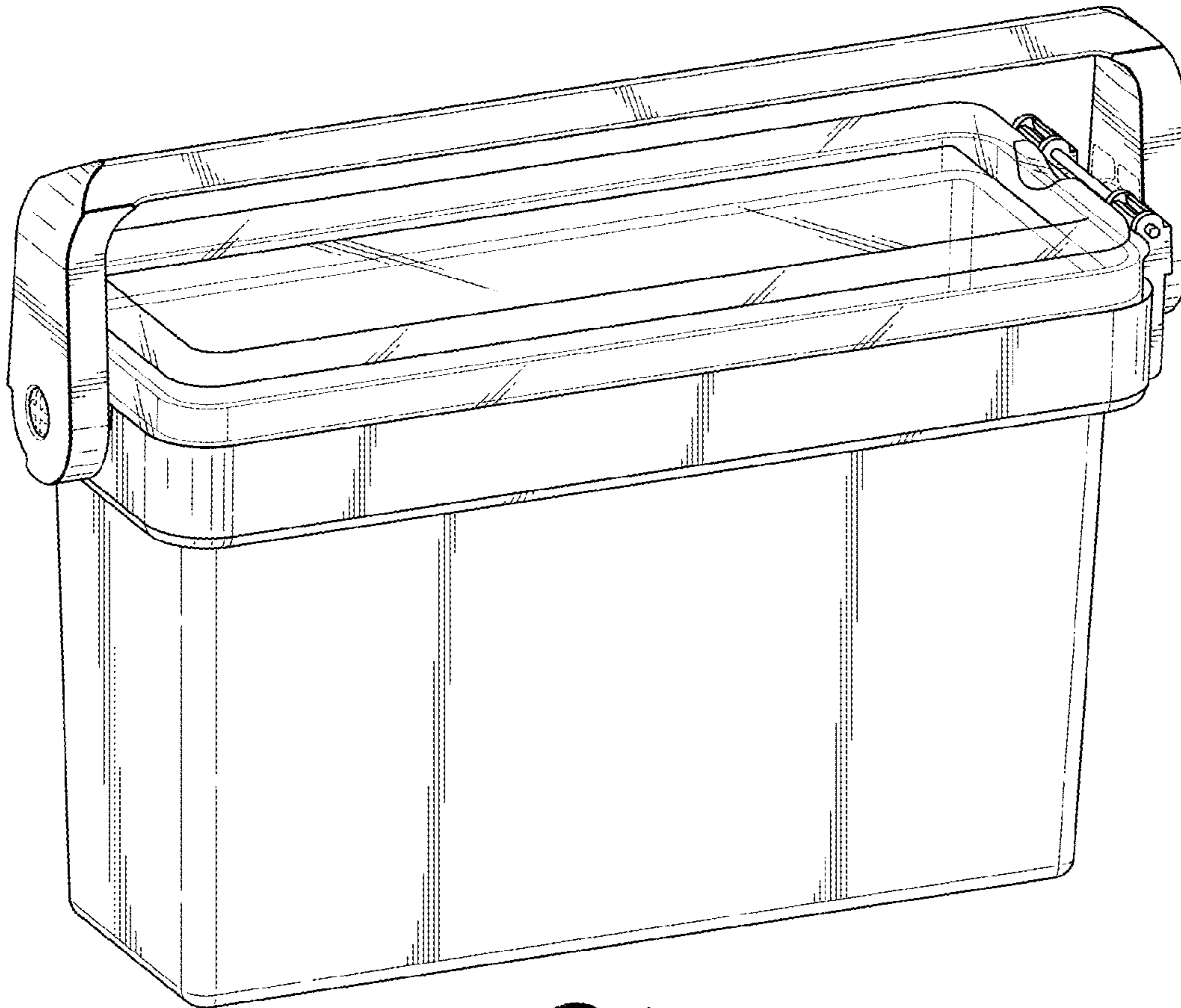


FIG. 1

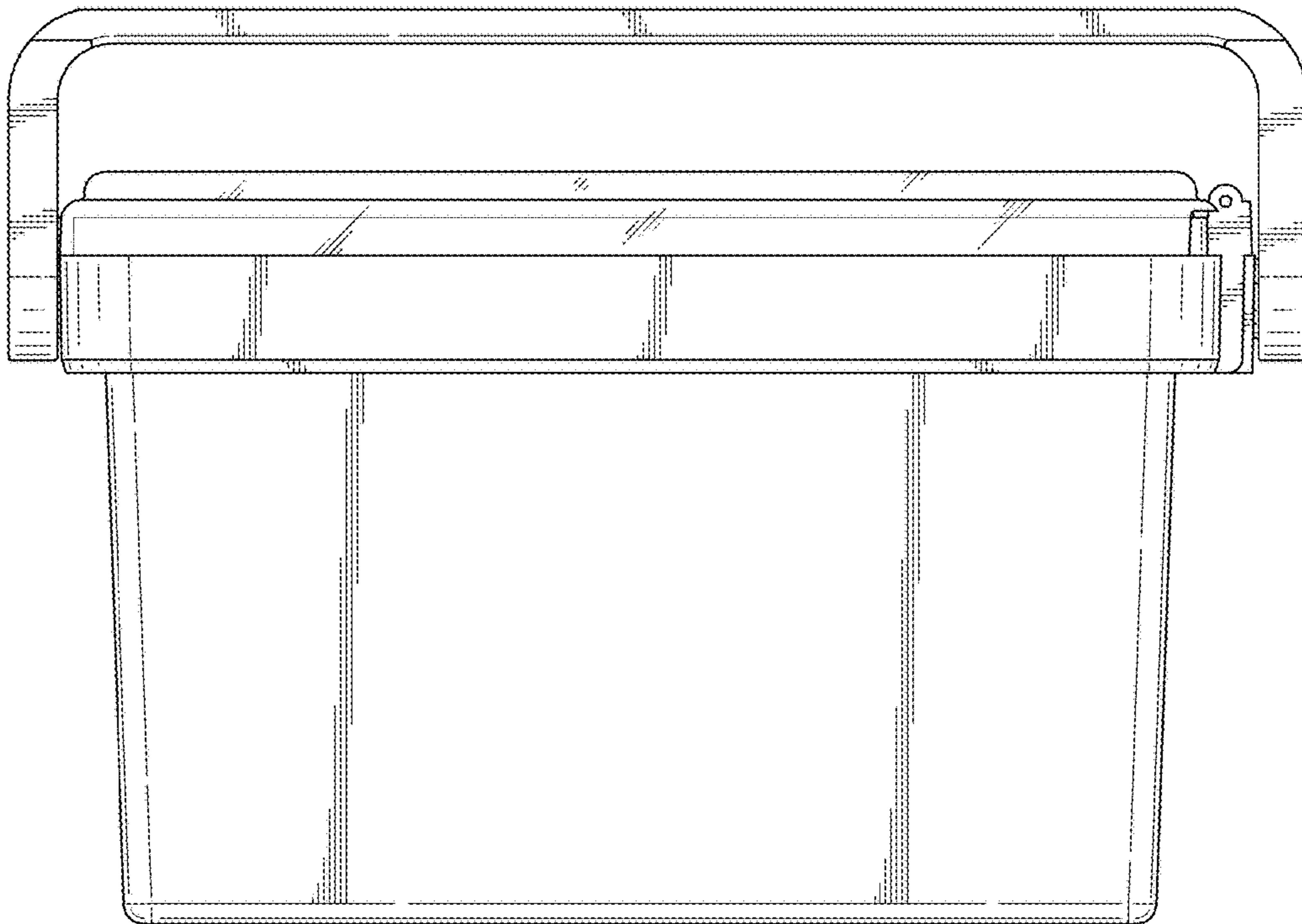


FIG. 2

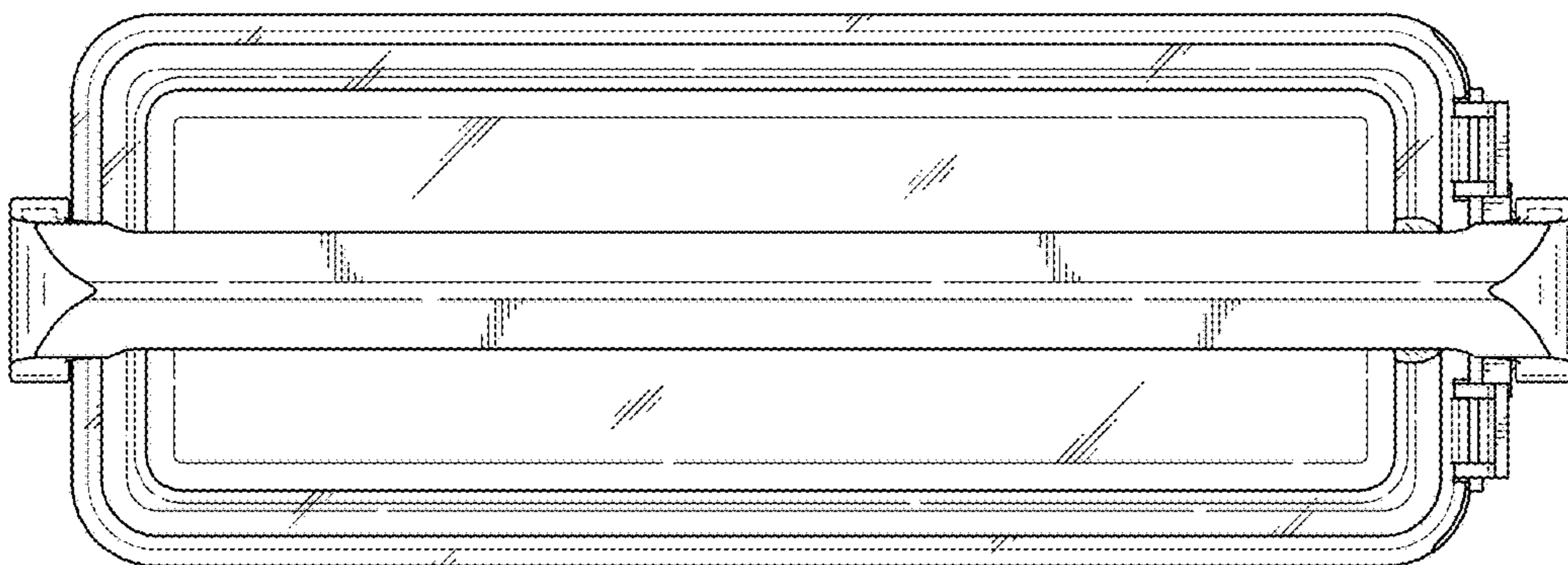


FIG. 3

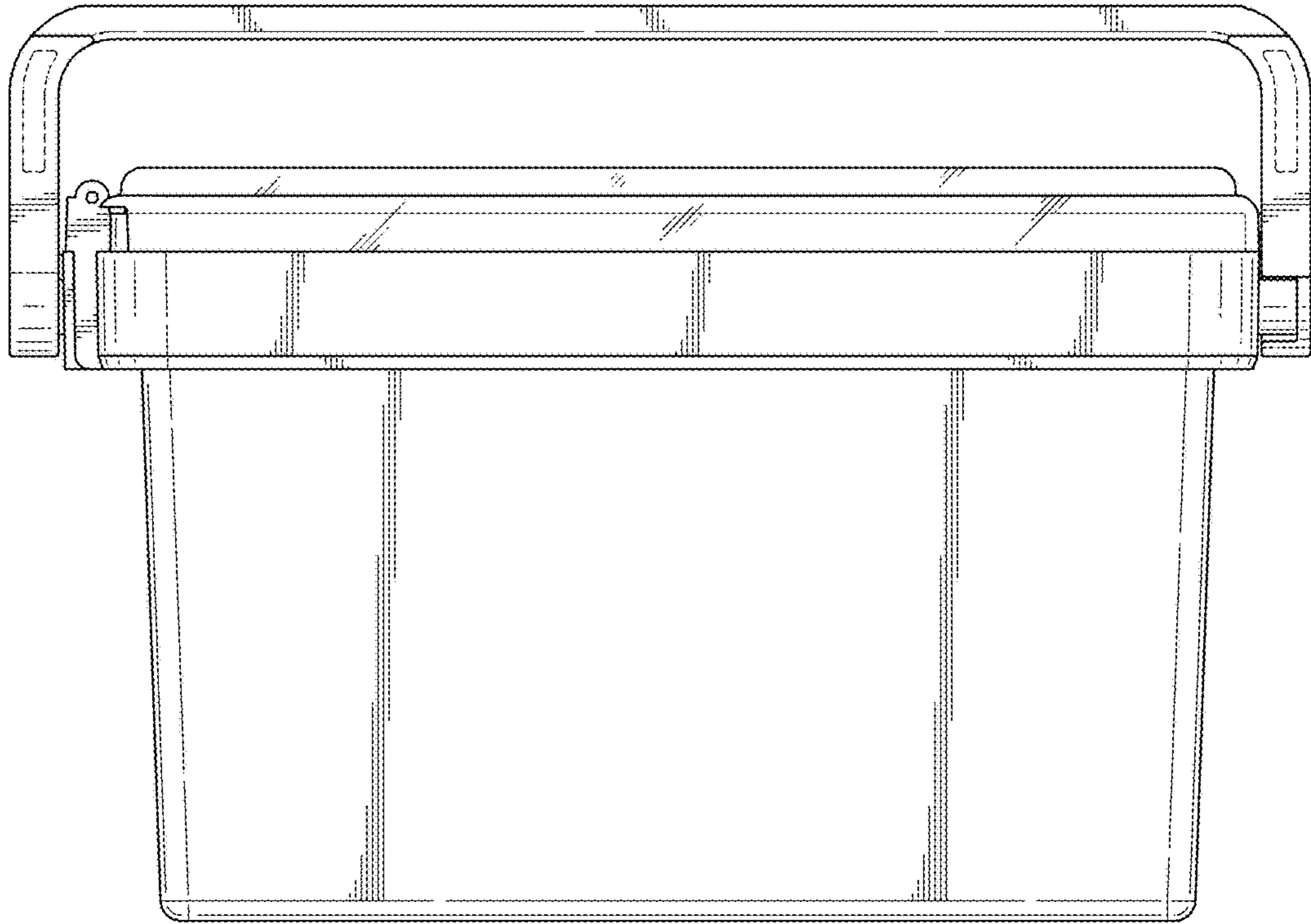


FIG. 4

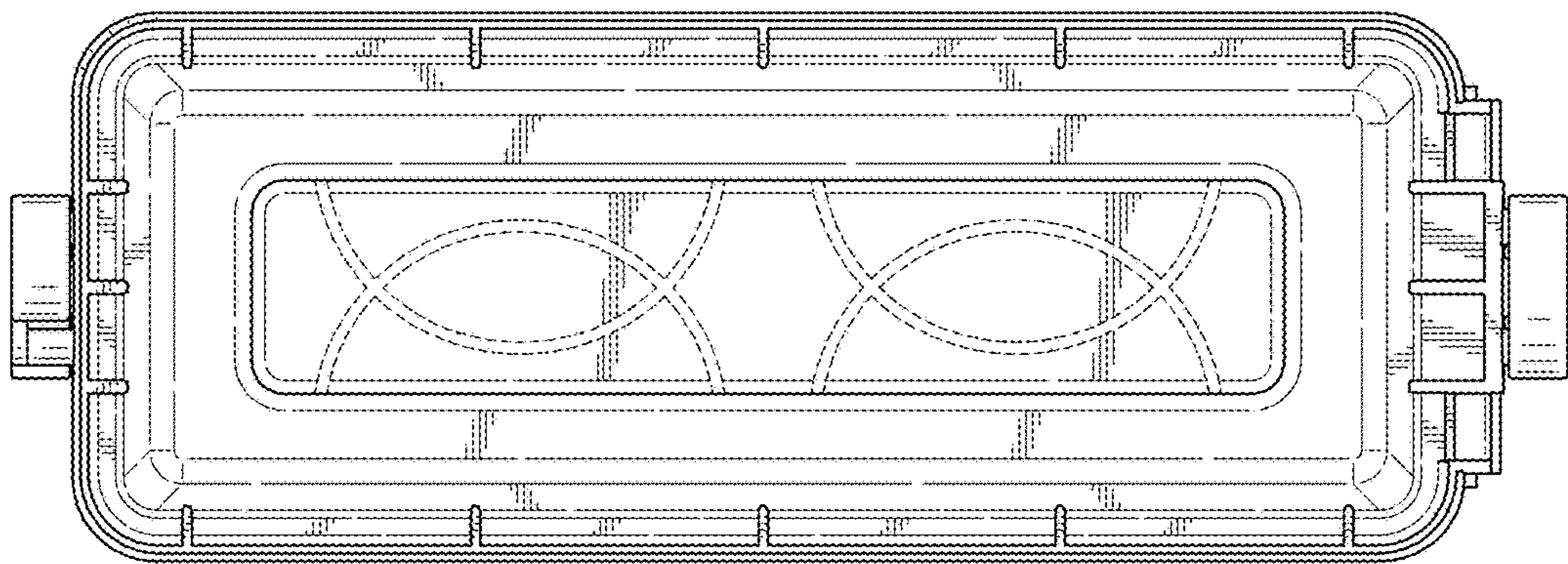


FIG. 5

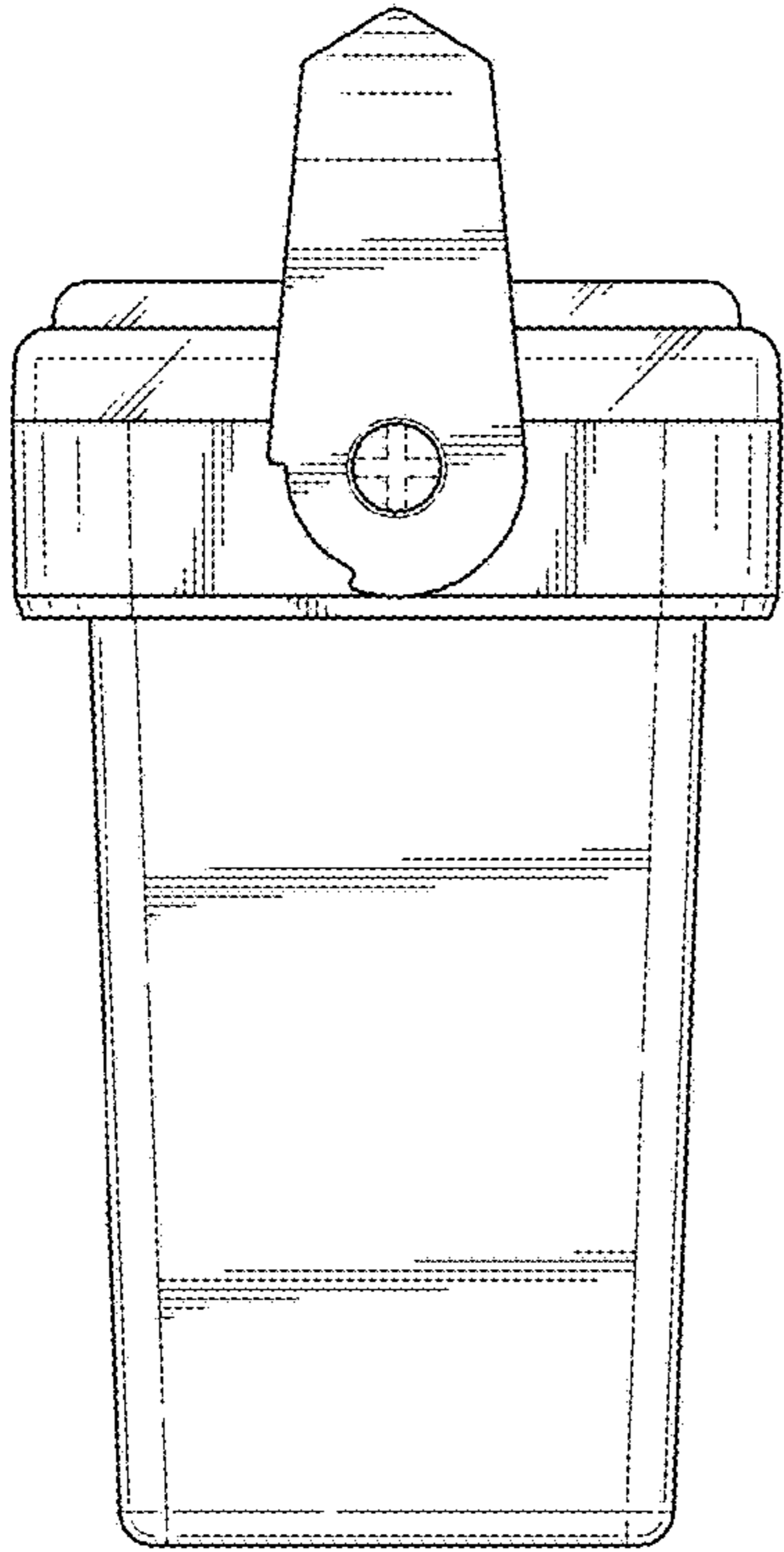


FIG. 6

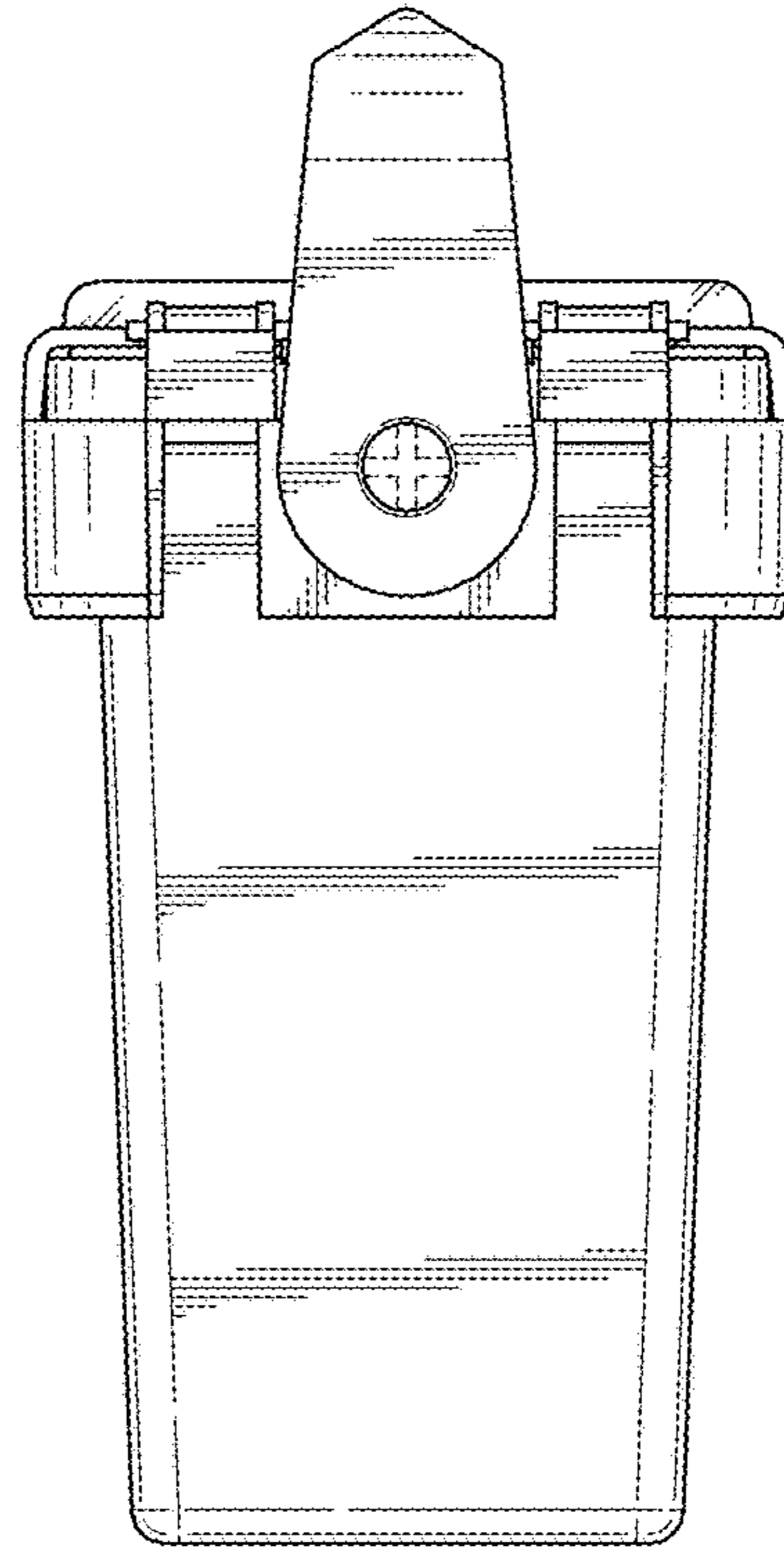


FIG. 7

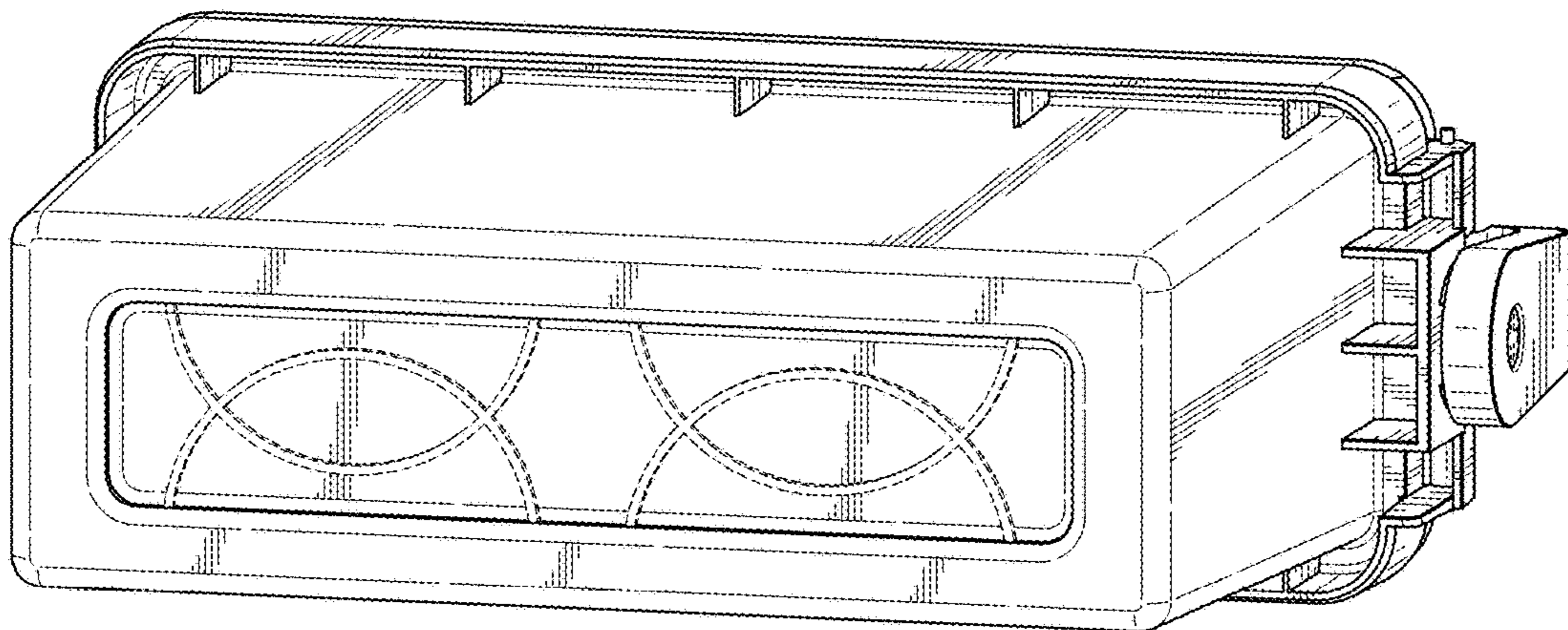


FIG. 8