



US00D783276S

(12) **United States Design Patent** (10) **Patent No.:** **US D783,276 S**
Murri (45) **Date of Patent:** **** Apr. 11, 2017**

(54) **HANDBAG**
(71) Applicant: **GIVENCHY**, Paris (FR)
(72) Inventor: **Francesca Murri**, Milan (IT)
(73) Assignee: **GIVENCHY**, Paris (FR)
(**) Term: **15 Years**
(21) Appl. No.: **29/546,802**
(22) Filed: **Nov. 25, 2015**

D370,341 S * 6/1996 Azar D3/233
5,725,039 A * 3/1998 Macinai A45C 3/08
150/104
D404,912 S * 2/1999 Addi D3/232
D418,975 S * 1/2000 Nastasi D3/232
D582,669 S * 12/2008 Javits, Jr. D3/243
D583,557 S * 12/2008 Siegel D3/234
D639,049 S * 6/2011 Lucido D3/232
D644,430 S * 9/2011 Neeson D3/234
D658,370 S * 5/2012 Wang D3/243
D659,387 S * 5/2012 Lucido D3/232
D668,451 S * 10/2012 Katoh D3/232
D690,099 S * 9/2013 Melamed D3/232
D695,516 S * 12/2013 Kallon D3/232
D696,859 S * 1/2014 Lucido D3/232

(30) **Foreign Application Priority Data**

May 27, 2015 (FR) 15 2566

(51) **LOC (10) Cl.** **03-01**
(52) **U.S. Cl.**
USPC **D3/243**

(58) **Field of Classification Search**
USPC D3/215–217, 226, 227, 232–234,
D3/238–246, 254, 257, 270, 271.1, 271.9,
D3/272, 274–276, 283, 285, 287, 289,
D3/291, 294, 299, 303, 324, 326, 900,
D3/902, 903
CPC A45C 1/00; A45C 3/06; A45C 2007/004;
A45C 3/08; A45C 7/00; A45C 9/10
See application file for complete search history.

(56) **References Cited**

U.S. PATENT DOCUMENTS

D39,618 S * 10/1908 Merzbach D3/243
1,042,934 A * 10/1912 Levy A45C 3/06
150/106
D140,717 S * 4/1945 Rath D3/245
D142,706 S * 10/1945 Deutz D3/243
D163,726 S * 6/1951 Wiggin 150/108
D260,053 S * 8/1981 Siegel D3/243
D260,198 S * 8/1981 Siegel D3/243
D264,019 S * 4/1982 Schimmel D3/243

* cited by examiner

Primary Examiner — Susan E Krakower

Assistant Examiner — Lisa A Grabenstetter

(74) *Attorney, Agent, or Firm* — Finnegan, Henderson,
Farabow, Garrett & Dunner, L.L.P.

(57) **CLAIM**

The ornamental design for a handbag, as shown and described.

DESCRIPTION

FIG. 1 is a front perspective view of a handbag, showing my new design;

FIG. 2 is a front elevation view thereof;

FIG. 3 is a rear elevation view thereof;

FIG. 4 is a left side view thereof;

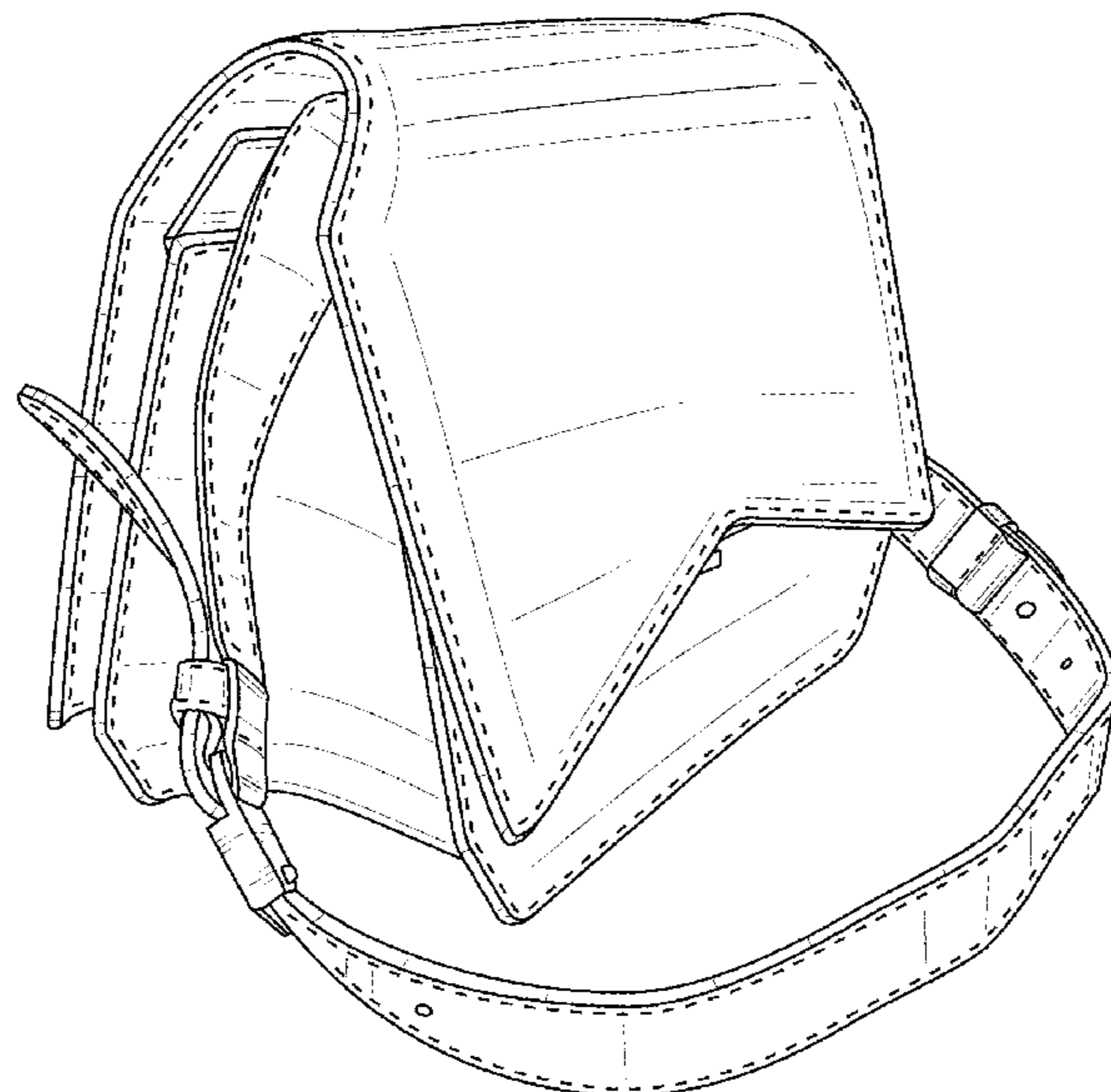
FIG. 5 is a right side view thereof;

FIG. 6 is a top view thereof; and,

FIG. 7 is a bottom view thereof.

The broken lines shown in the drawings represent stitching and form part of the claimed design. The interior of the handbag is not shown and forms no part of the claimed design.

1 Claim, 7 Drawing Sheets



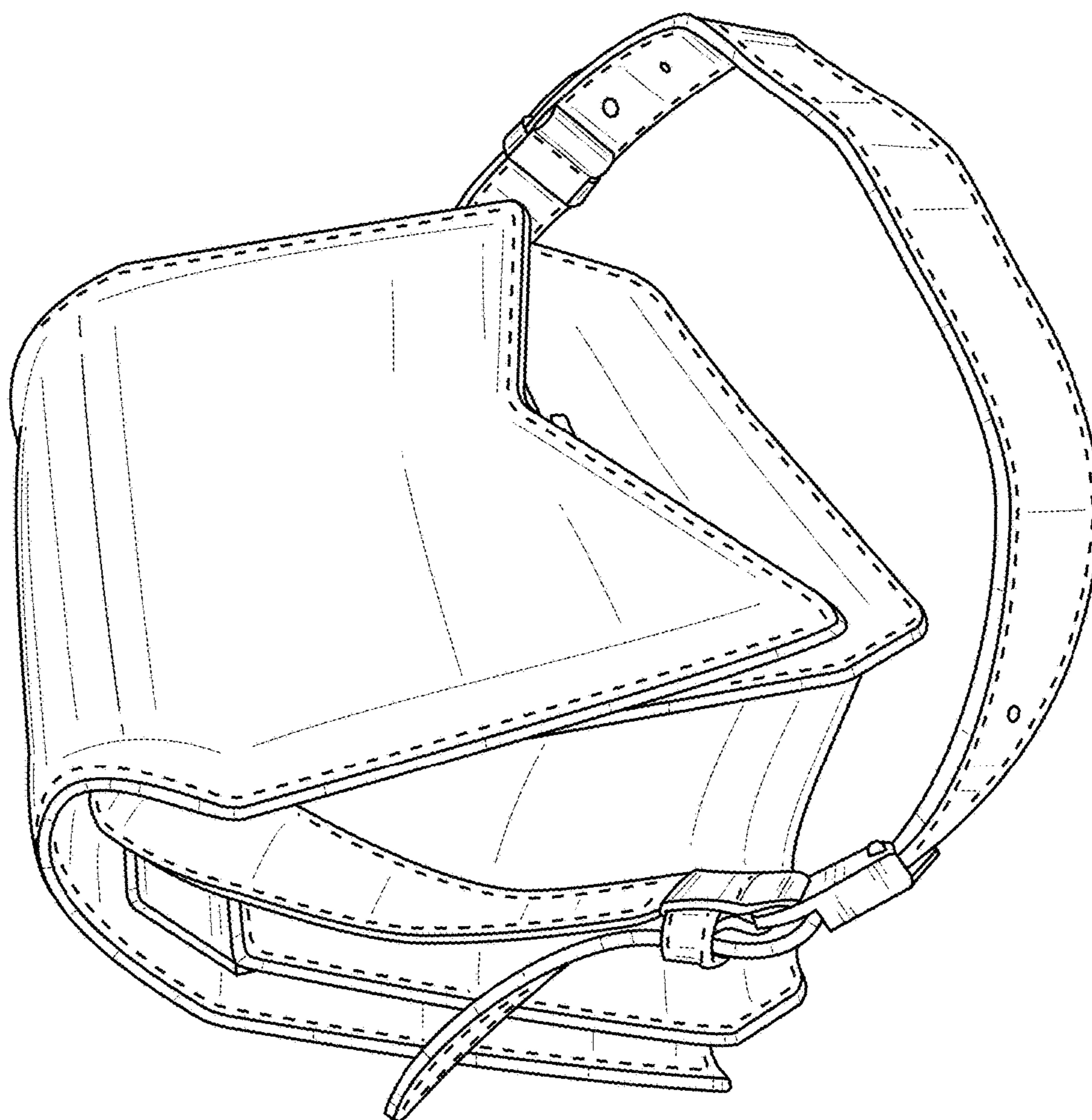


FIG. 1

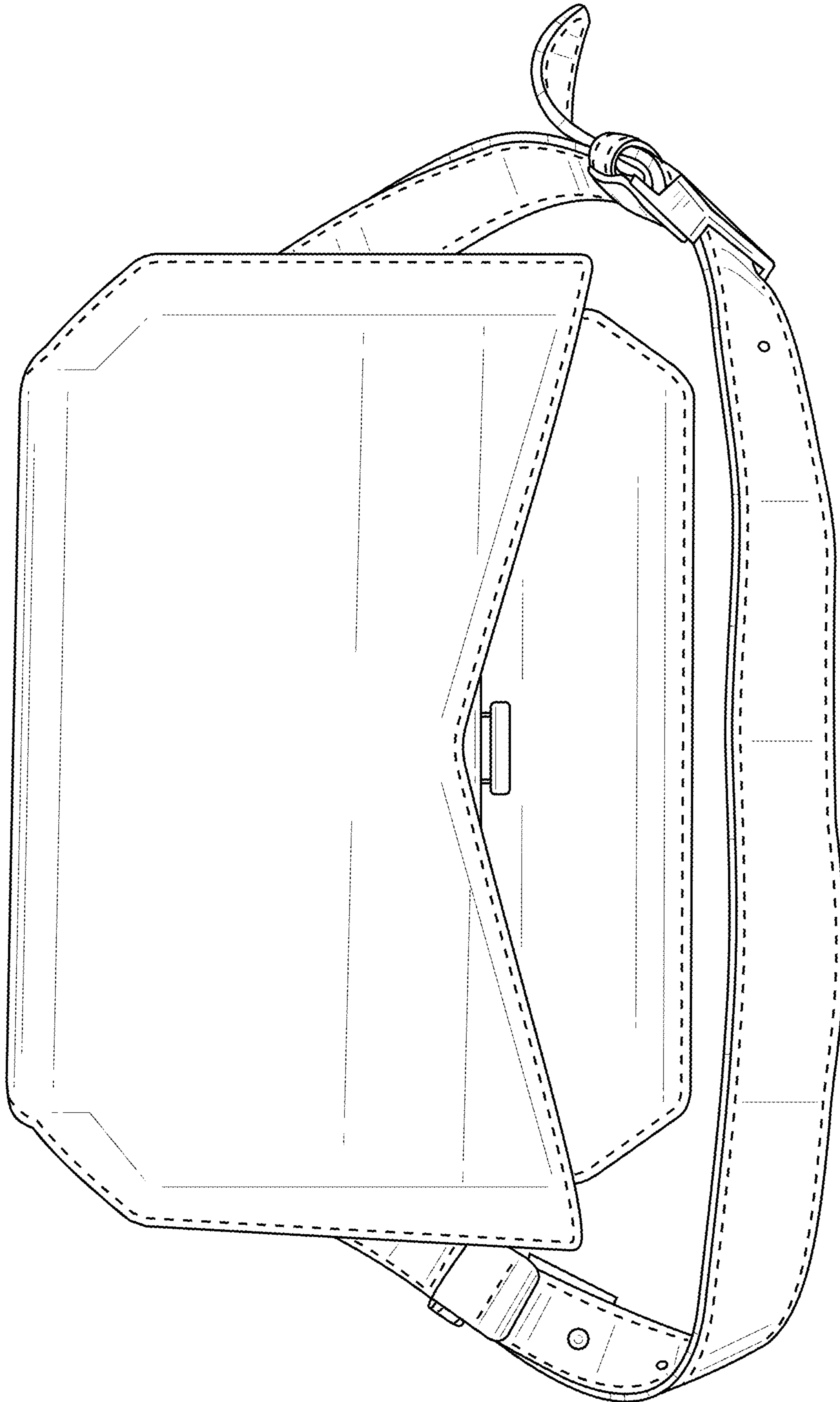


FIG. 2

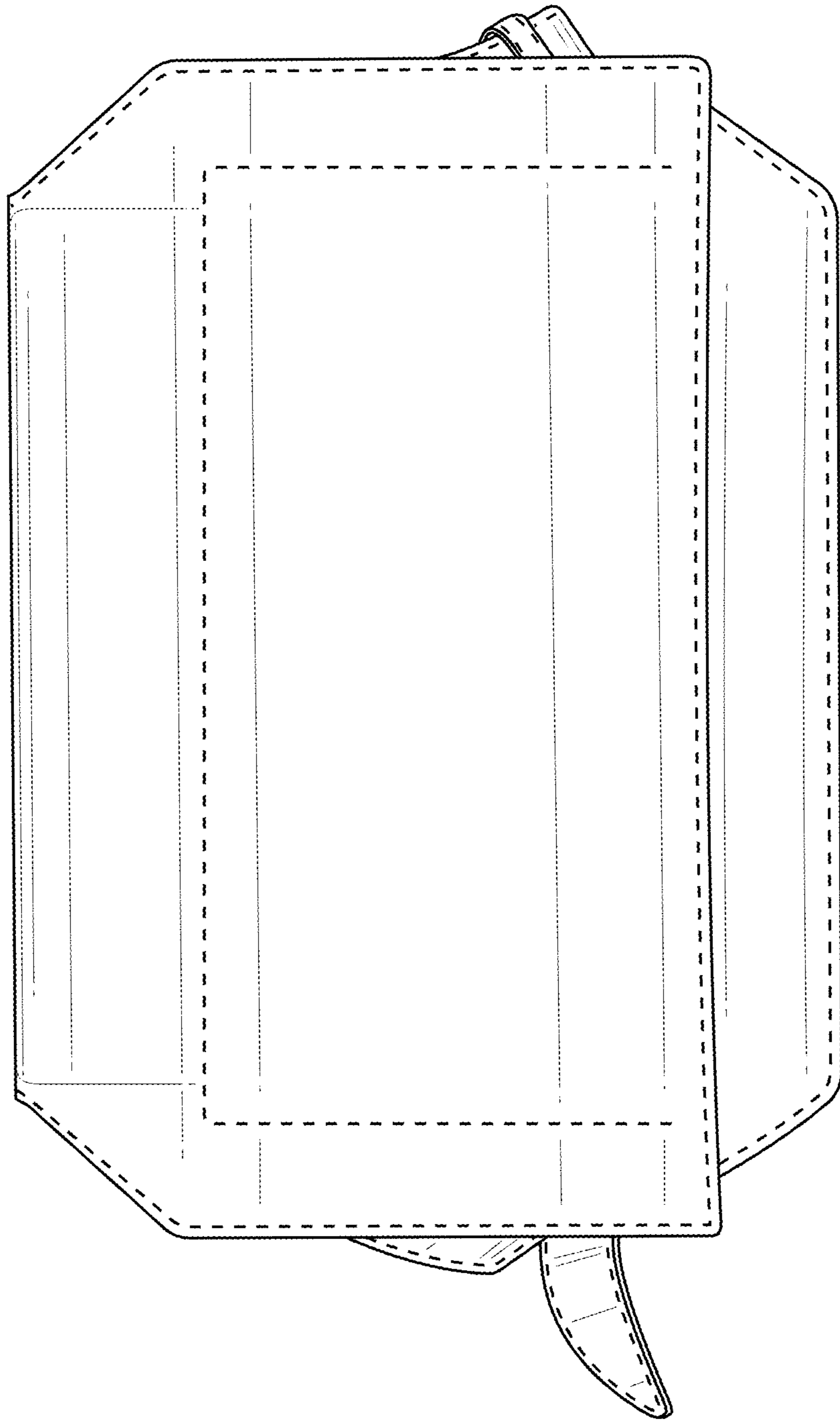


FIG. 3

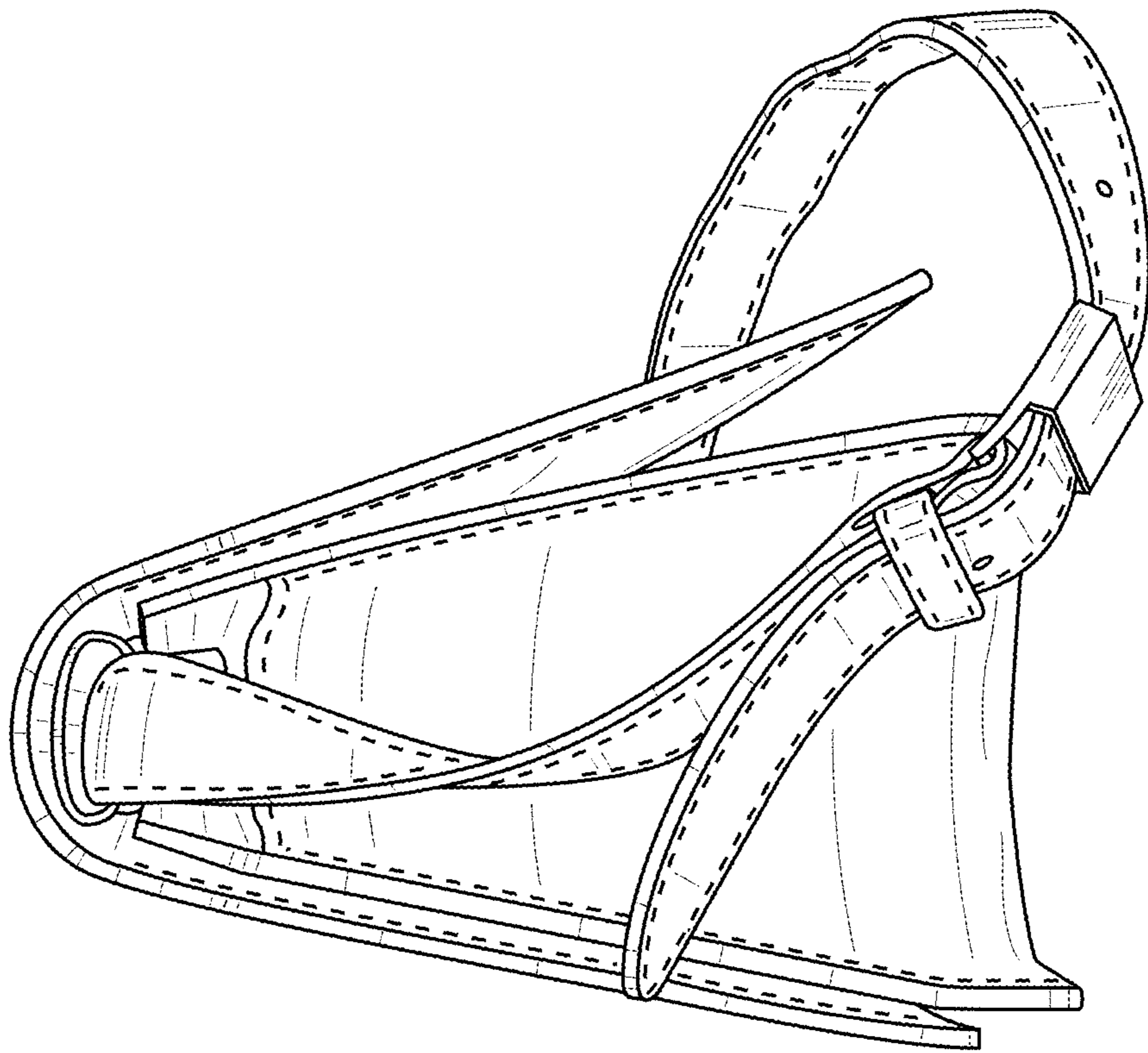


FIG. 4

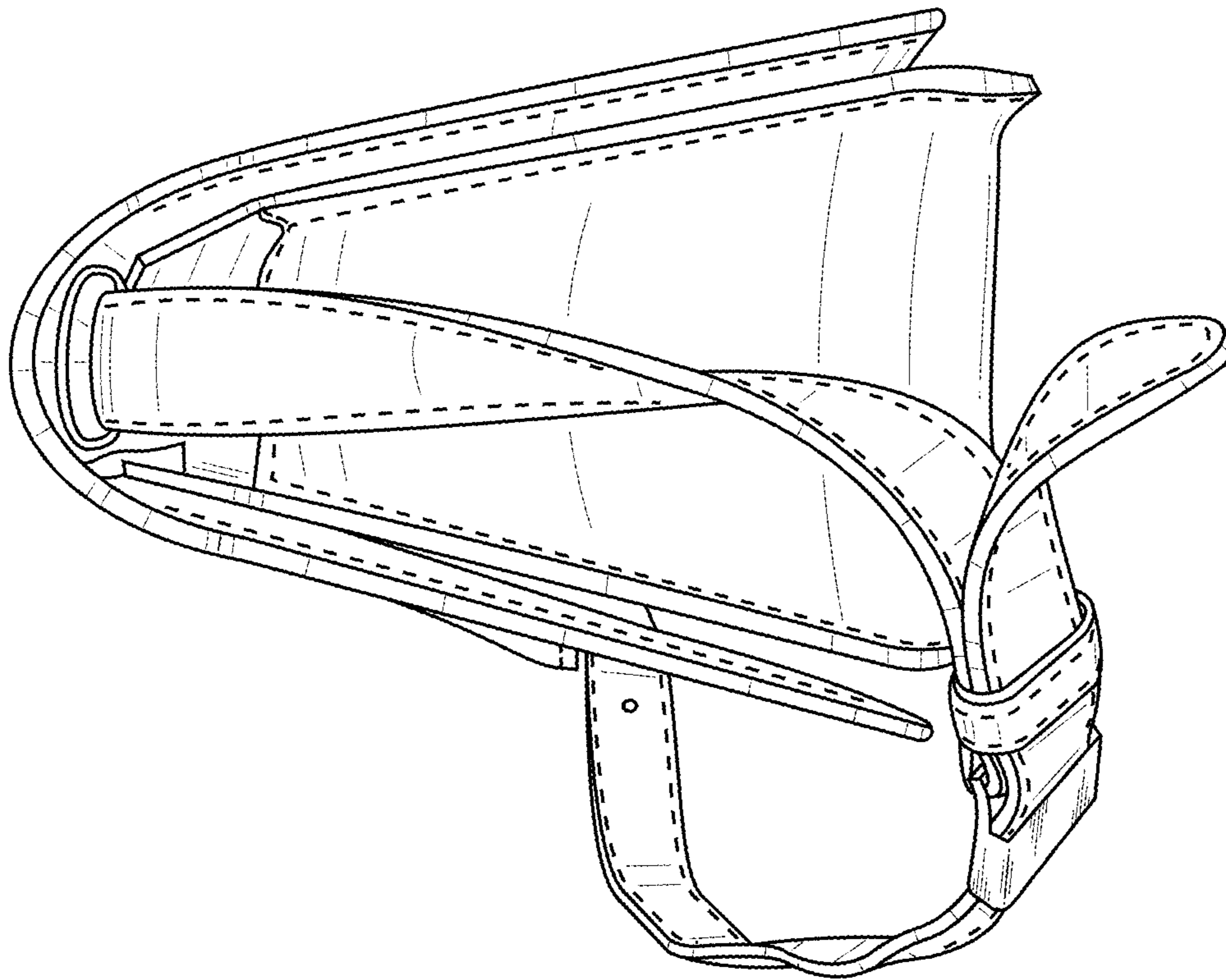


FIG. 5

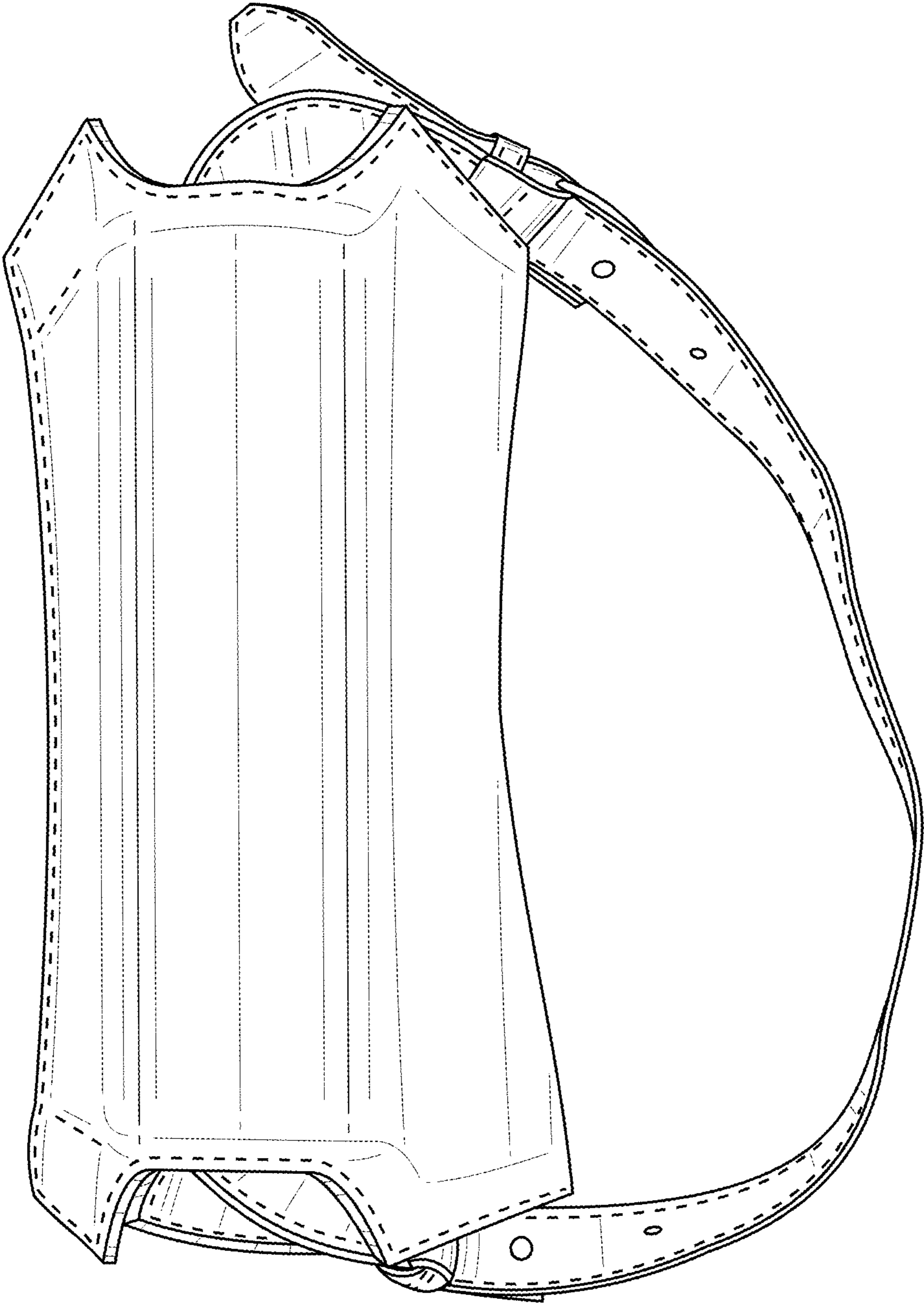


FIG. 6

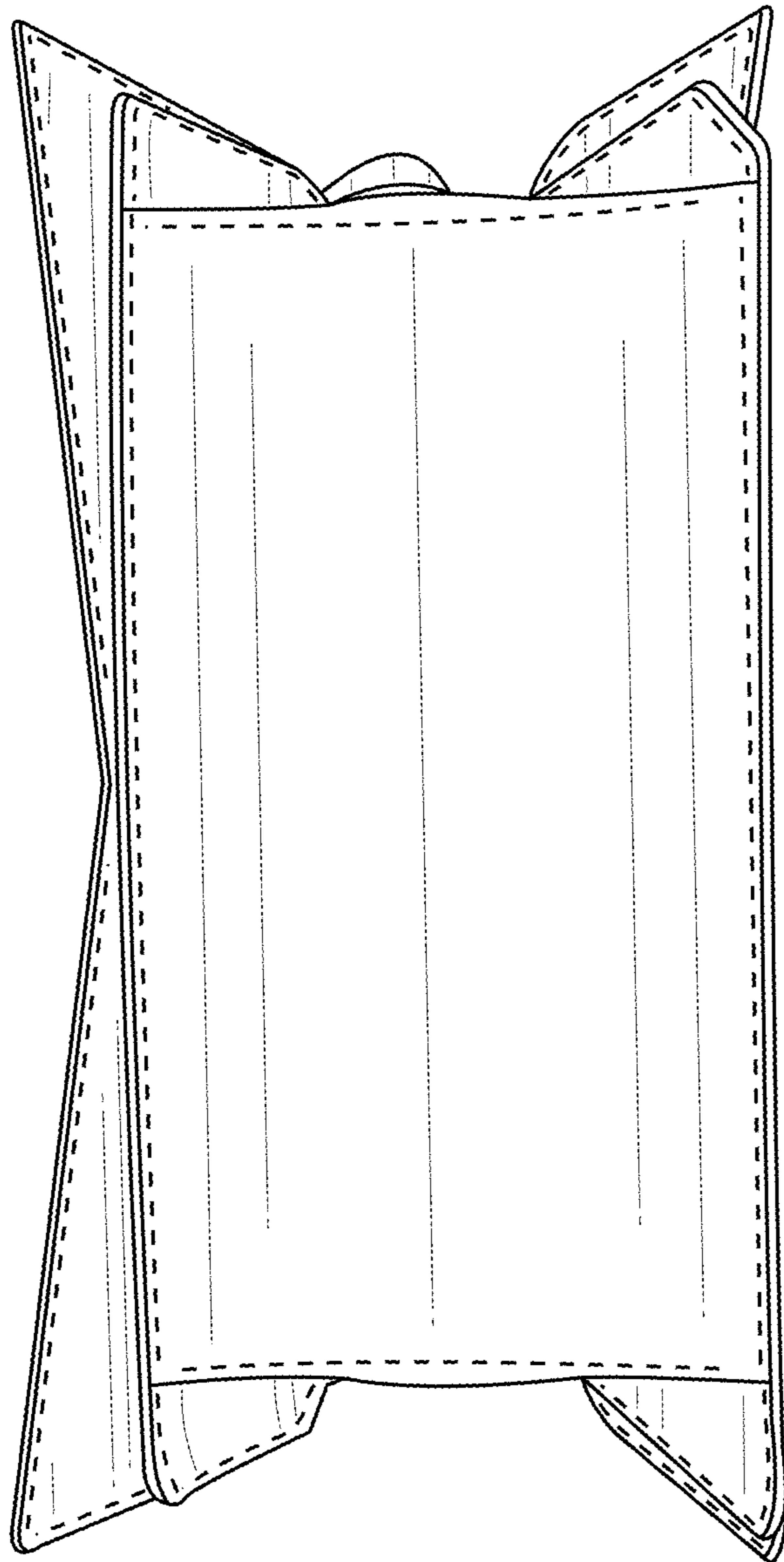


FIG. 7