



US00D783274S

(12) **United States Design Patent** (10) **Patent No.:** **US D783,274 S**
Maier (45) **Date of Patent:** **** Apr. 11, 2017**

(54) **HANDBAG**

(71) Applicant: **BOTTEGA VENETA SA**, Cadempino (CH)

(72) Inventor: **Thomas Rudolf Maier**, Delray Beach, FL (US)

(73) Assignee: **BOTTEGA VENETA SA**, Cadempino (CH)

(**) Term: **15 Years**

(21) Appl. No.: **29/537,637**

(22) Filed: **Aug. 27, 2015**

(30) **Foreign Application Priority Data**

Mar. 3, 2015 (WO) DM/085795

(51) **LOC (10) Cl.** **03-01**

(52) **U.S. Cl.**
USPC **D3/232**

(58) **Field of Classification Search**
USPC D3/215–217, 226, 227, 232–234,
D3/238–246, 254, 257, 270, 271.1, 271.9,
D3/272, 274–276, 283, 285, 287, 289,
D3/291, 294, 299, 303, 324, 326, 900,
D3/902, 903

CPC A45C 1/00; A45C 3/06; A45C 2007/004;
A45C 3/08; A45C 7/00; A45C 9/10
See application file for complete search history.

(56) **References Cited**

U.S. PATENT DOCUMENTS

D126,249 S * 4/1941 Pichel D3/246
D158,513 S * 5/1950 Schlessinger D3/243

D170,477 S * 9/1953 Pichel D3/241
D241,782 S * 10/1976 Casser D3/246
D260,200 S * 8/1981 Siegel D3/243
D275,241 S * 8/1984 Schimmel D3/243
D423,215 S * 4/2000 Furlanetto D3/232
D560,069 S * 1/2008 Greiner D3/246
D561,466 S * 2/2008 Ghesquiere D3/232
D600,909 S * 9/2009 Crook D3/232
D609,908 S * 2/2010 Dolce D3/245
D624,310 S * 9/2010 LaCorte D3/232
D649,780 S * 12/2011 Fendi D3/245
D653,850 S * 2/2012 Gonzalez D3/232
D685,184 S * 7/2013 Gerbi D3/245
D703,430 S * 4/2014 Della Valle D3/232
D718,931 S * 12/2014 Brundl D3/232
D725,903 S * 4/2015 Kuster D3/245

* cited by examiner

Primary Examiner — Susan E Krakower

Assistant Examiner — Lisa A Grabenstetter

(74) *Attorney, Agent, or Firm* — Lucas & Mercanti, LLP

(57) **CLAIM**

The ornamental design for a handbag, as shown and described.

DESCRIPTION

FIG. 1 is a front perspective view of a handbag according to my new design;
FIG. 2 is a front view thereof, the rear view being a mirror image thereof;
FIG. 3 is a right side view thereof, the left view being a mirror image thereof;
FIG. 4 is a top plan view thereof; and,
FIG. 5 is a bottom plan view thereof.
The broken lines depict unclaimed stitching.

1 Claim, 5 Drawing Sheets



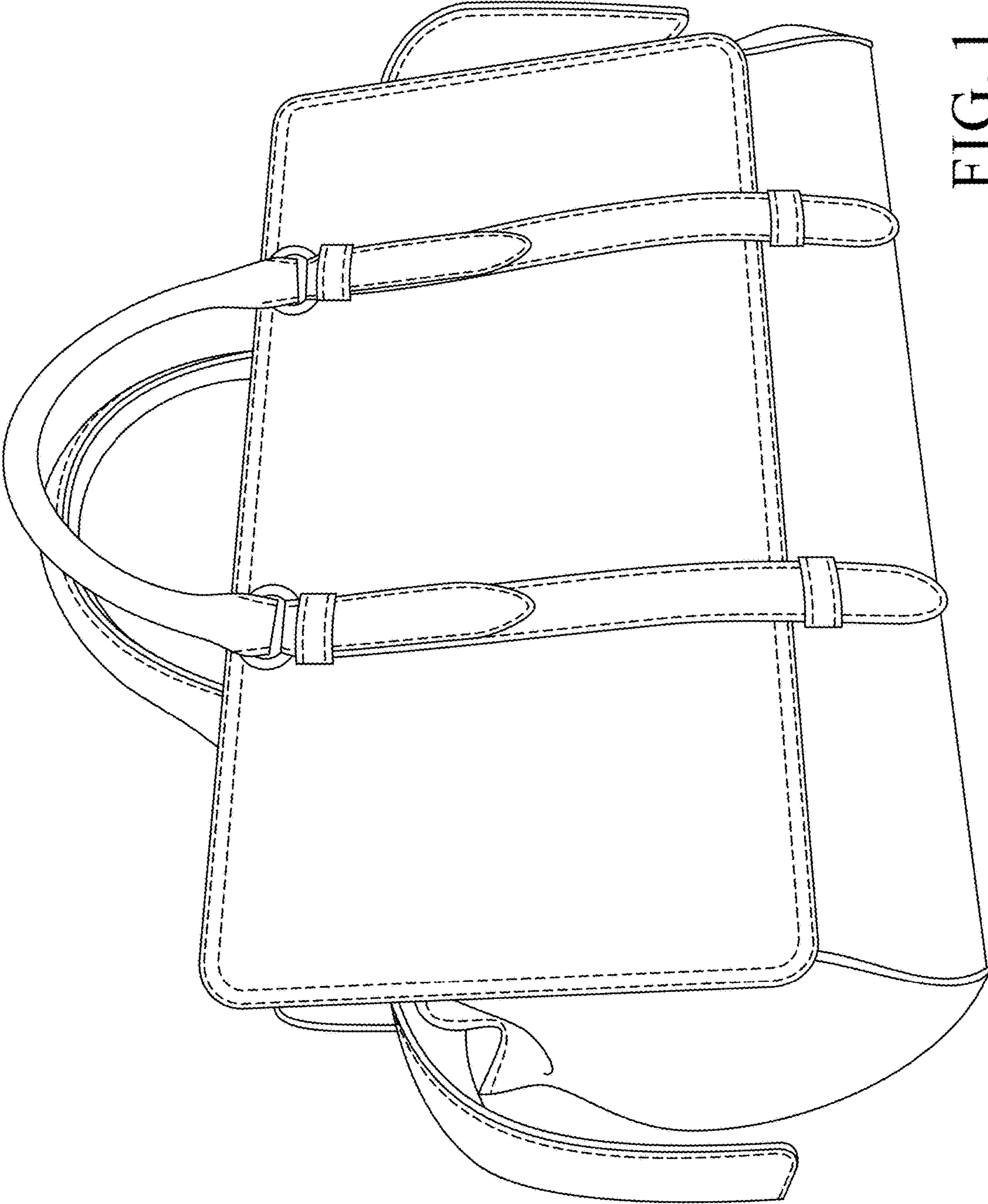


FIG. 1

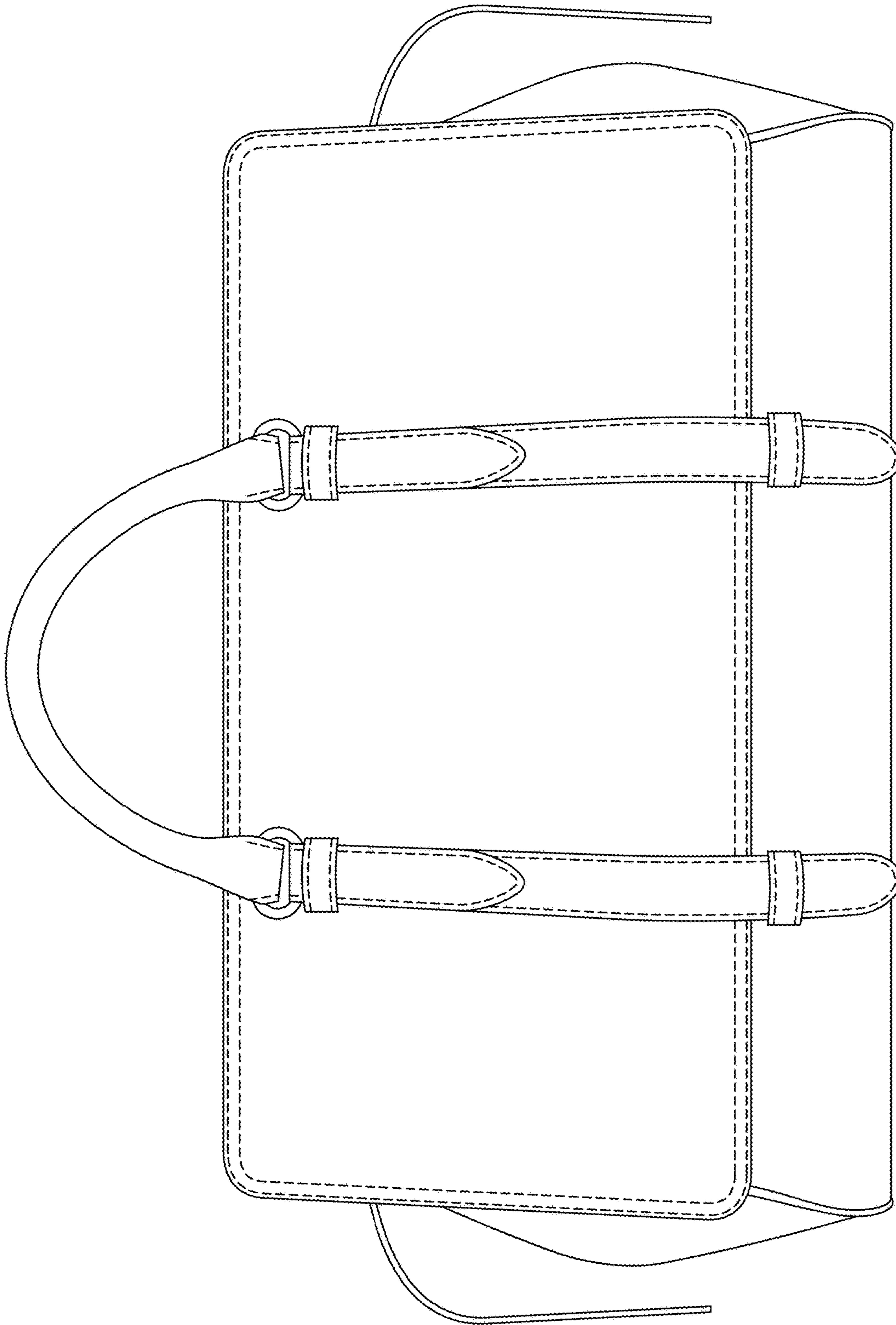


FIG. 2

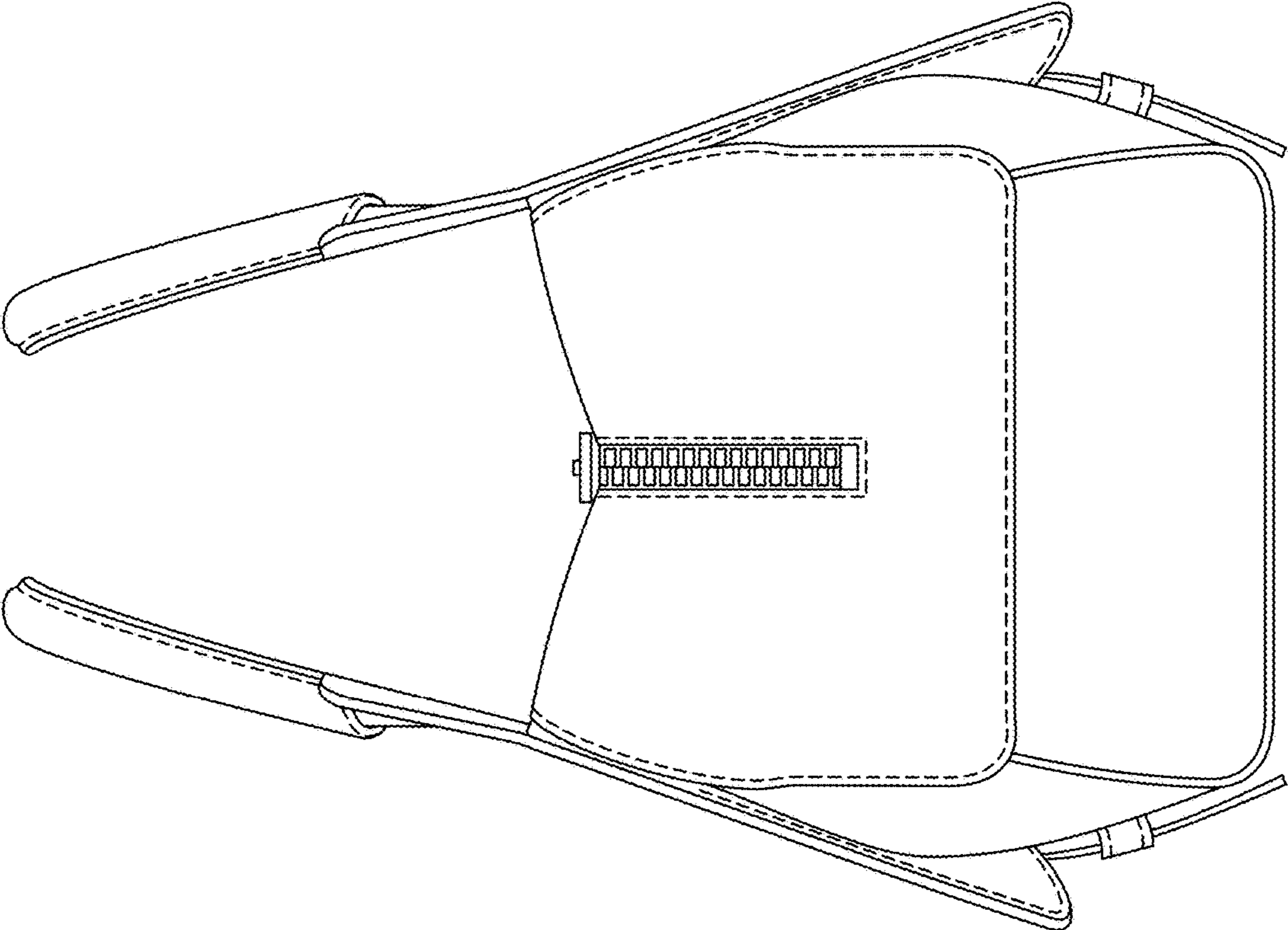


FIG. 3

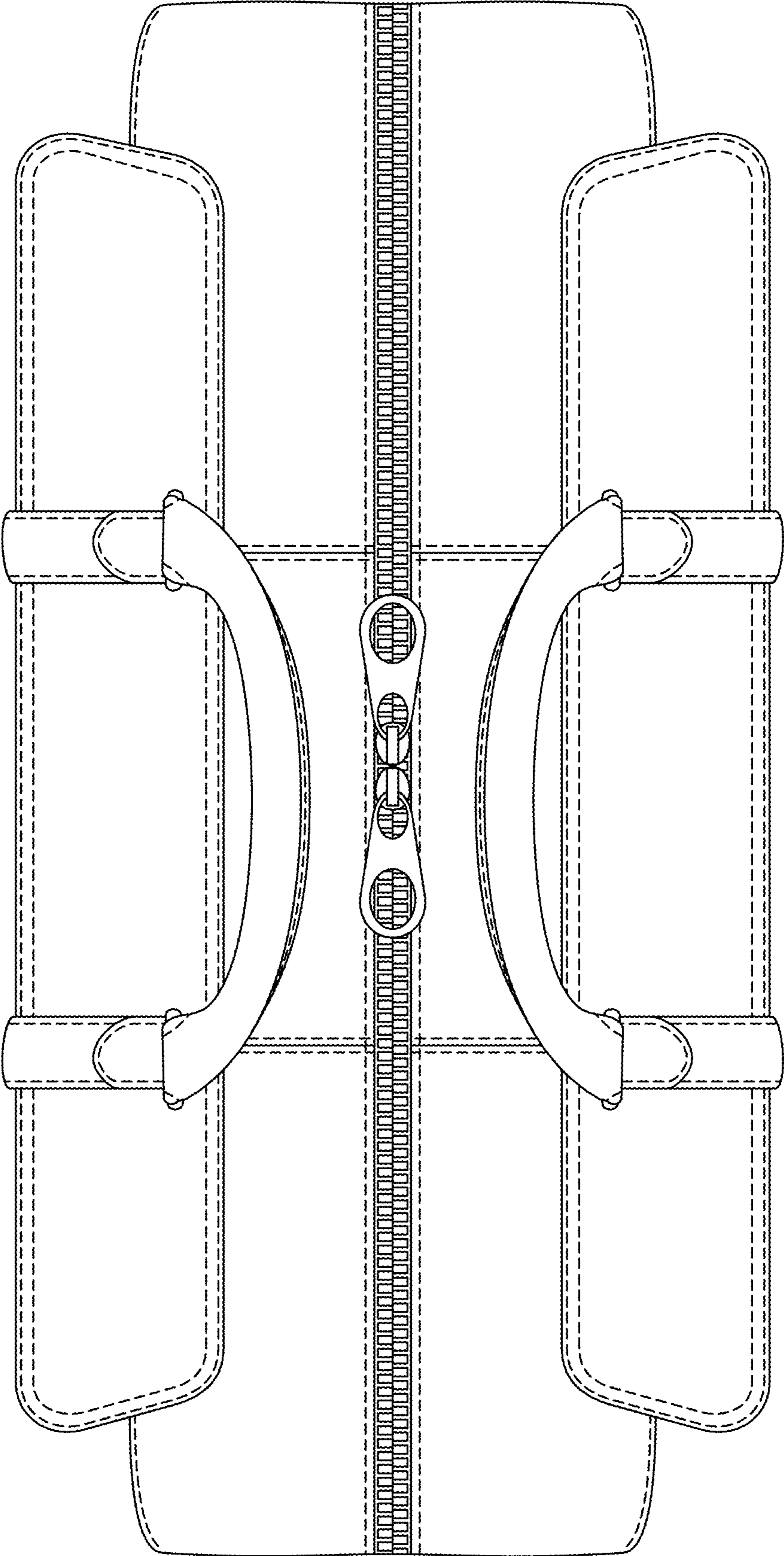


FIG. 4

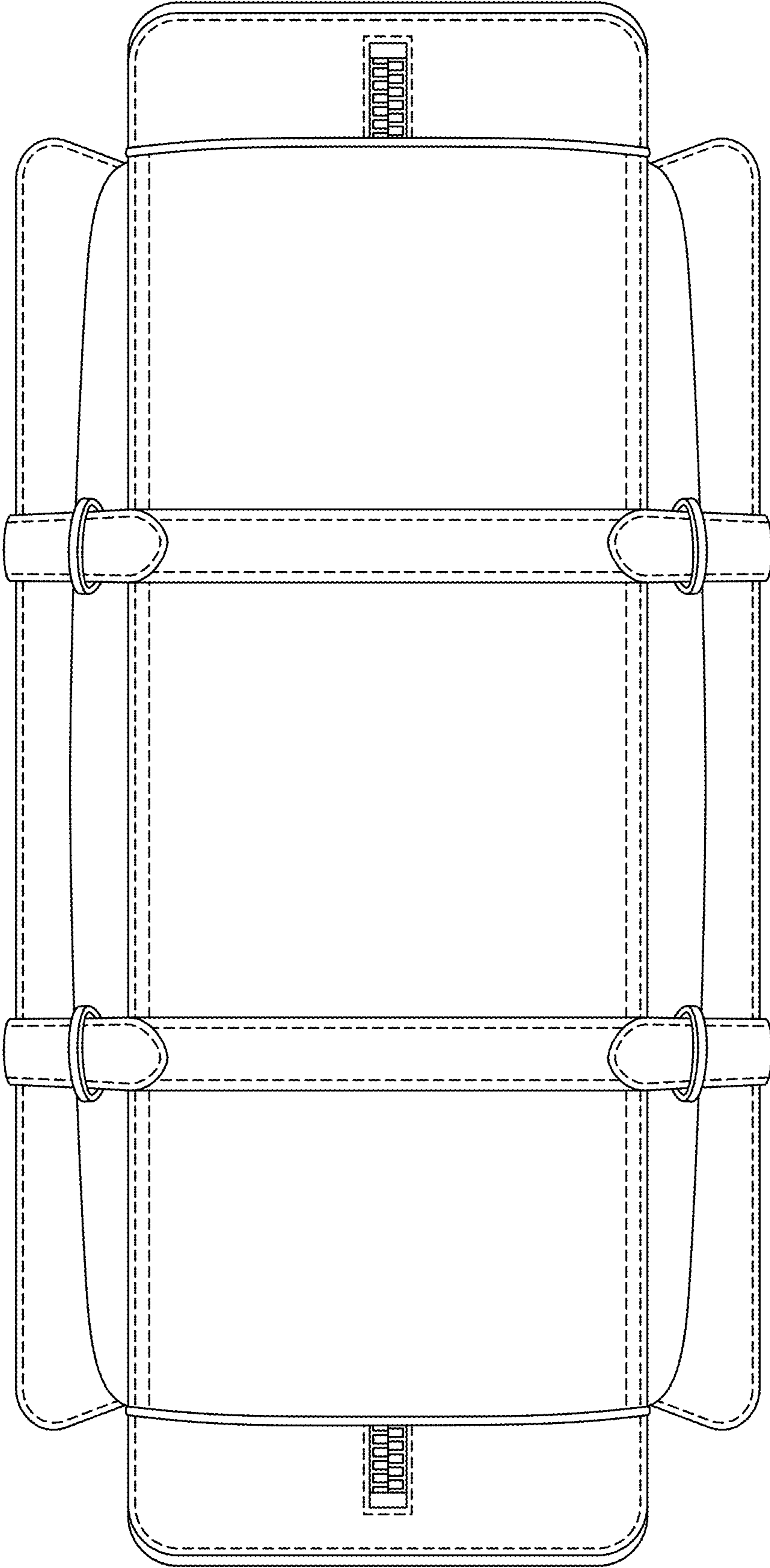


FIG. 5