



US00D783269S

(12) **United States Design Patent**
Lucas et al.

(10) **Patent No.:** **US D783,269 S**
(45) **Date of Patent:** **** Apr. 11, 2017**

- (54) **TWO SHOULDER BABY CARRIER**
- (71) Applicant: **We Made Me Limited**, Hove, East Sussex (GB)
- (72) Inventors: **Daniel Lucas**, East Sussex (GB);
Claire McKenzie-Neville, East Sussex (GB)
- (73) Assignee: **We Made Me Ltd.**, Hove (GB)
- (**) Term: **14 Years**
- (21) Appl. No.: **29/520,421**
- (22) Filed: **Mar. 13, 2015**
- (30) **Foreign Application Priority Data**
 - Sep. 15, 2014 (EM) 002538207-0001
 - Dec. 2, 2014 (EM) 002589044-0001
- (51) **LOC (10) Cl.** **03-99**
- (52) **U.S. Cl.**
USPC **D3/213**
- (58) **Field of Classification Search**
 - USPC D3/213, 214, 215, 216; 224/158, 159, 224/160, 264, 270
 - CPC A47D 13/02; A47D 13/025; A45F 5/00; A45F 3/12

See application file for complete search history.

- 5,678,739 A * 10/1997 Darling A47D 13/025 224/158
- D414,032 S * 9/1999 Howell D3/213
- D425,696 S * 5/2000 Swanke D3/213
- D455,546 S * 4/2002 Norman D3/213
- 7,210,605 B2 * 5/2007 Willows G08B 5/004 224/623
- D611,699 S * 3/2010 Lundh D3/213
- D615,750 S * 5/2010 Jones D3/213
- 7,766,199 B1 * 8/2010 Caperon A47D 13/025 224/158
- D623,401 S * 9/2010 Bergkvist D3/213
- D623,402 S * 9/2010 Bergkvist D3/213
- D632,887 S * 2/2011 Jones D3/214
- D642,375 S * 8/2011 Zack D3/214

(Continued)

Primary Examiner — John Windmuller
Assistant Examiner — Steven Czyz
(74) *Attorney, Agent, or Firm* — Drinker Biddle & Reath LLP

(57) **CLAIM**

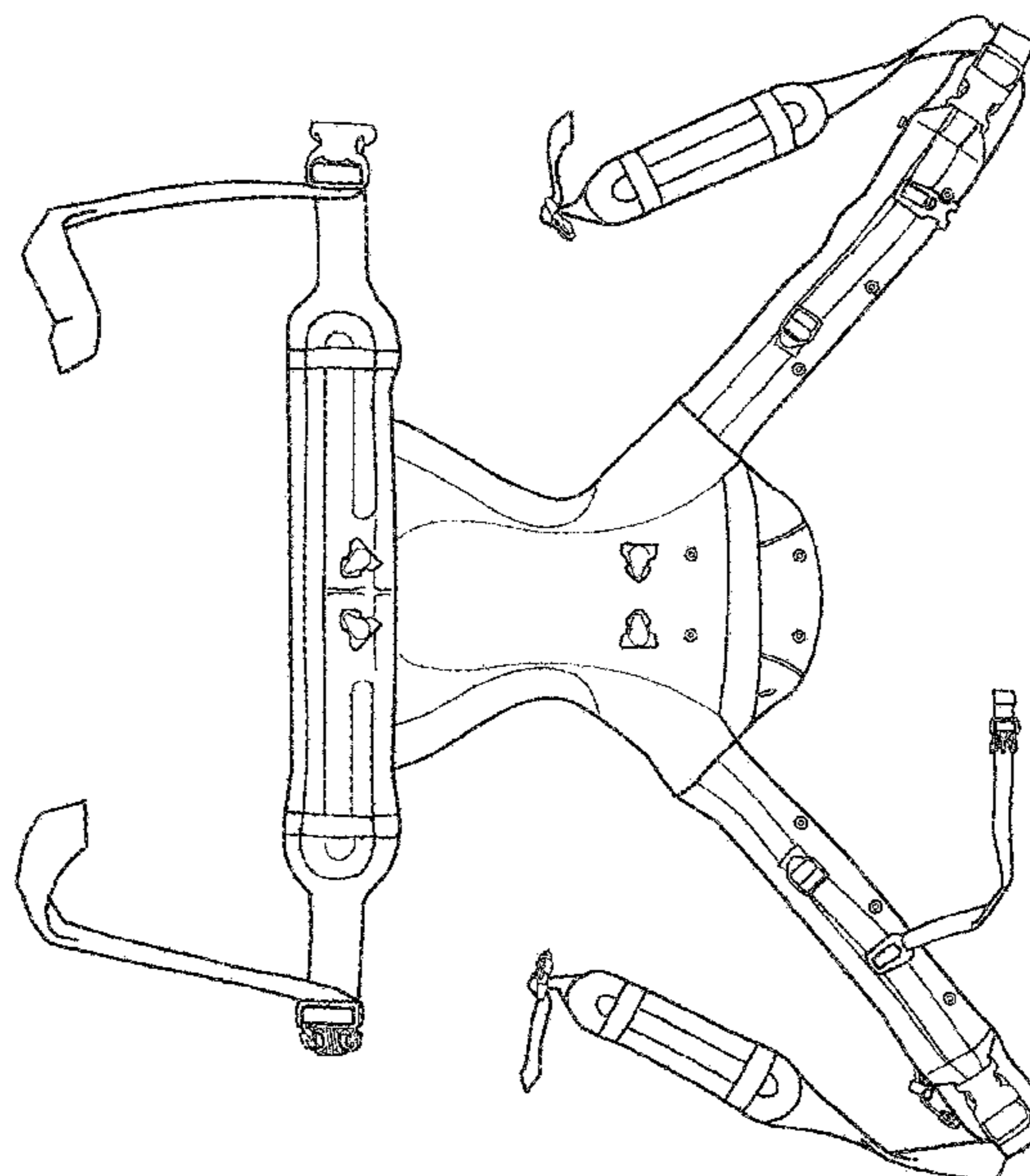
The ornamental design for a two shoulder baby carrier, as shown and described.

DESCRIPTION

FIG. 1 is an unfurled front view of a two shoulder baby carrier according to the present invention; FIG. 2 is a furled rear view of the baby carrier of FIG. 1, shown in an alternate state with the back side of the front panel; FIG. 3 is a furled rear view of the baby carrier of FIG. 1, shown in another alternate state with the back side of the front panel; and, FIG. 4 is a left side view of the furled baby carrier of FIG. 3, the right side view being generally a mirror image. The portions of the design shown in dashed lines do not form a part of the claimed design.

1 Claim, 4 Drawing Sheets

- (56) **References Cited**
 - U.S. PATENT DOCUMENTS
 - 4,579,264 A * 4/1986 Napolitano A47D 13/025 224/158
 - D370,996 S * 6/1996 Shimura D3/213
 - 5,570,823 A * 11/1996 Lindy A47D 13/025 224/159
 - D377,116 S * 1/1997 Shimura D3/213



(56)

References Cited

U.S. PATENT DOCUMENTS

8,028,871 B2 *	10/2011	Gray	A47D 13/025	224/158
D649,345 S *	11/2011	Bergkvist	D3/214	
D655,494 S *	3/2012	Murray	D3/213	
D655,495 S *	3/2012	Sauer	D3/214	
8,172,116 B1 *	5/2012	Lehan	A45F 3/04	224/159
D664,351 S *	7/2012	Bergkvist	D3/214	
8,424,732 B1 *	4/2013	Lehan	A45F 3/04	224/158
D692,227 S *	10/2013	Andren	D3/213	
D693,569 S *	11/2013	Lehan	D3/214	
D698,142 S *	1/2014	Cha	D3/213	
8,636,181 B2 *	1/2014	Gunter	A47D 13/025	224/158
8,752,739 B2 *	6/2014	Bergkvist	A47D 13/025	224/158
D711,090 S *	8/2014	Schroder	D3/213	
D712,134 S *	9/2014	Gunter	D3/214	
D714,045 S *	9/2014	Stave	D3/213	
D733,419 S *	7/2015	Wikner	D3/214	
D745,263 S *	12/2015	Tagle	D3/213	
D748,907 S *	2/2016	Figler	D3/213	
2002/0175194 A1 *	11/2002	Norman	A47D 13/025	224/160
2005/0051582 A1 *	3/2005	Frost	A47D 13/025	224/160
2005/0184114 A1 *	8/2005	Hoff	A47D 13/025	224/160
2008/0087694 A1 *	4/2008	Meng	A47D 13/025	224/160
2008/0283559 A1 *	11/2008	Parness	A47D 13/025	224/159
2008/0314940 A1 *	12/2008	Cohen Raz	A47D 13/025	224/161
2009/0026235 A1 *	1/2009	Gray	A47D 15/006	224/160
2009/0206116 A1 *	8/2009	Grant	A45F 3/08	224/160
2010/0147910 A1 *	6/2010	Schachtner	A47D 13/025	224/160
2012/0187162 A1 *	7/2012	Bergkvist	A47D 13/025	224/160
2012/0205406 A1 *	8/2012	Schachtner	A47D 13/025	224/160
2012/0217273 A1 *	8/2012	Gunter	A47D 13/025	224/160
2012/0241487 A1 *	9/2012	Zack	A47D 13/025	224/576
2012/0298702 A1 *	11/2012	Jung	A47D 13/025	224/158
2014/0263491 A1 *	9/2014	Telford	A47D 13/025	224/160
2015/0282639 A1 *	10/2015	Chuah	A47D 13/025	224/160

* cited by examiner

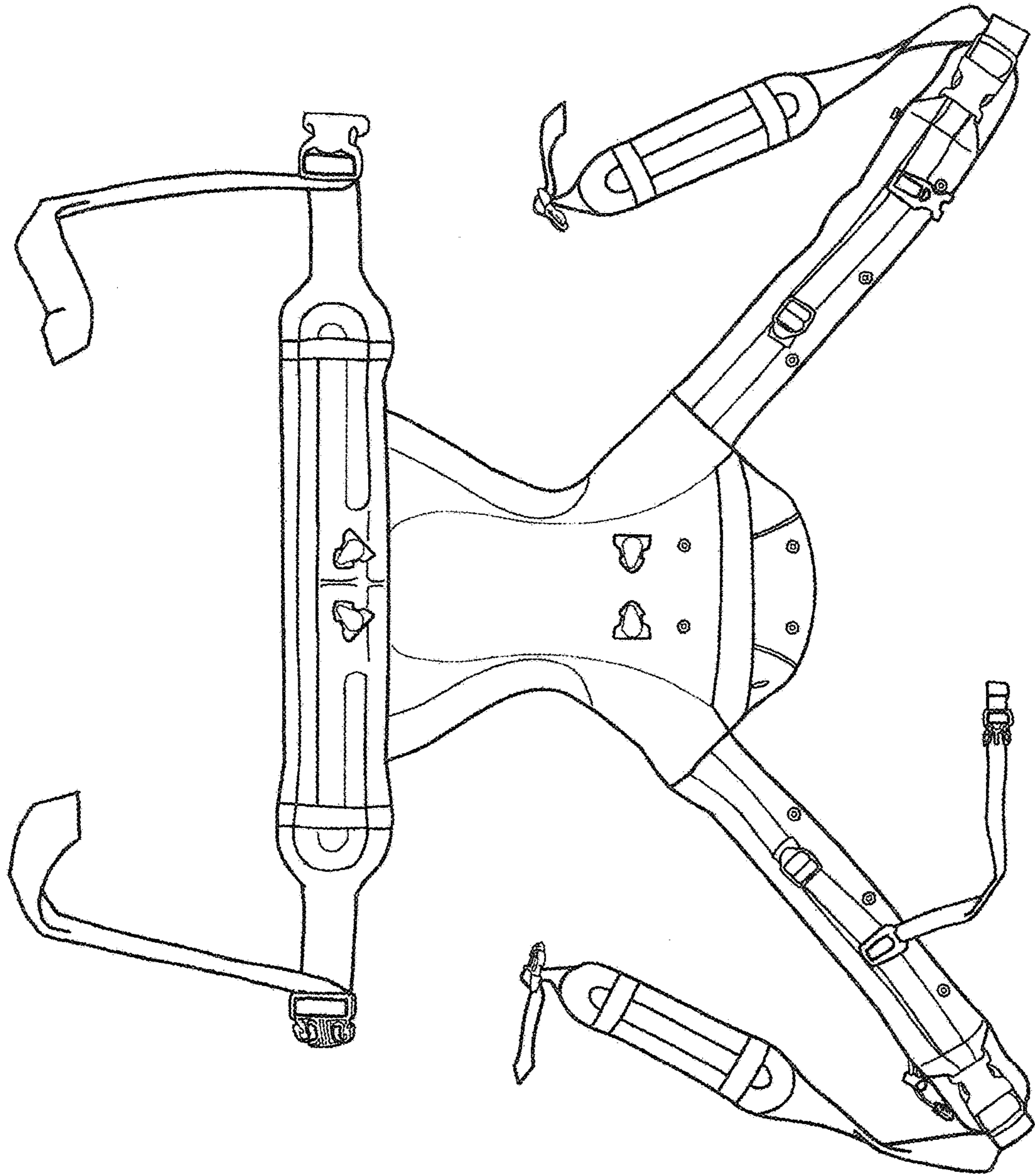


FIG. 1

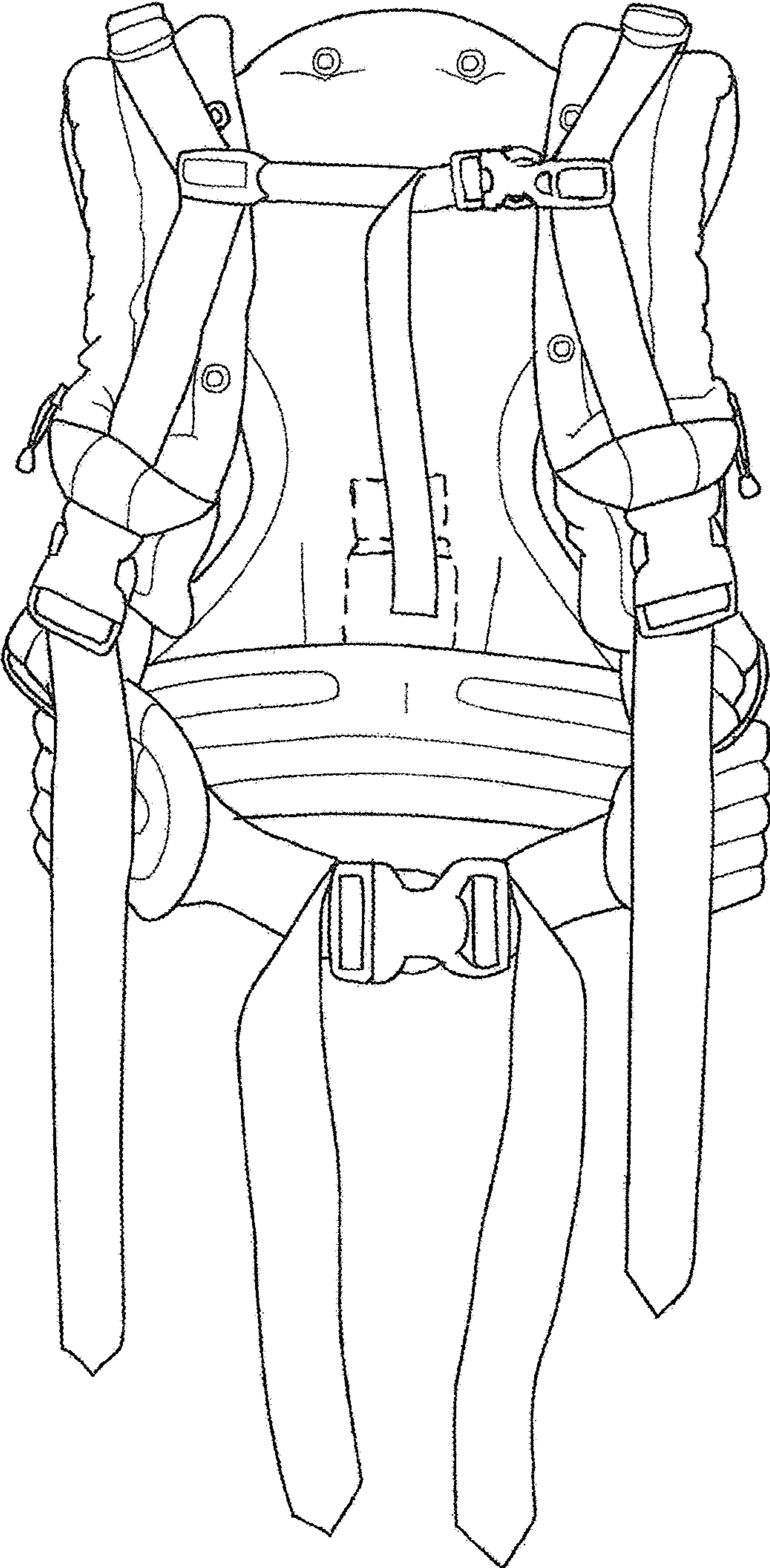


FIG. 2

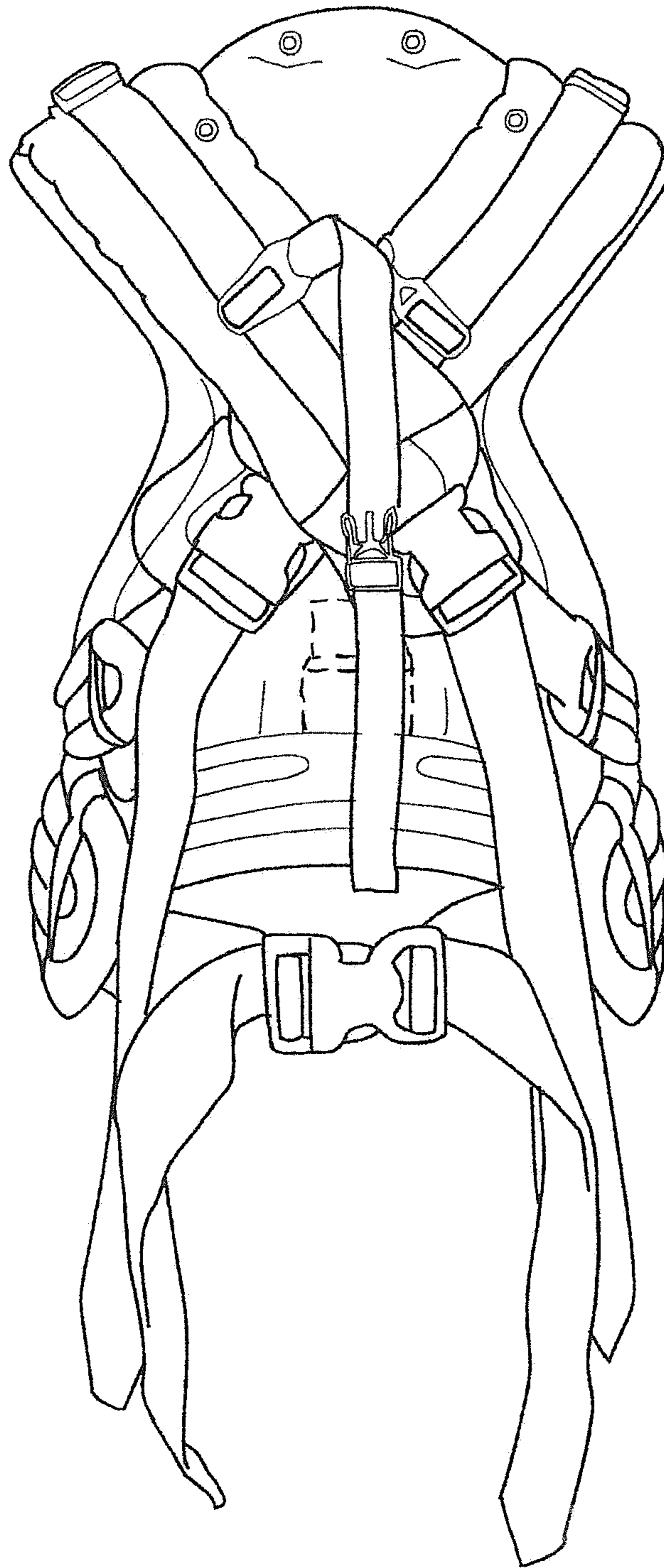


FIG. 3

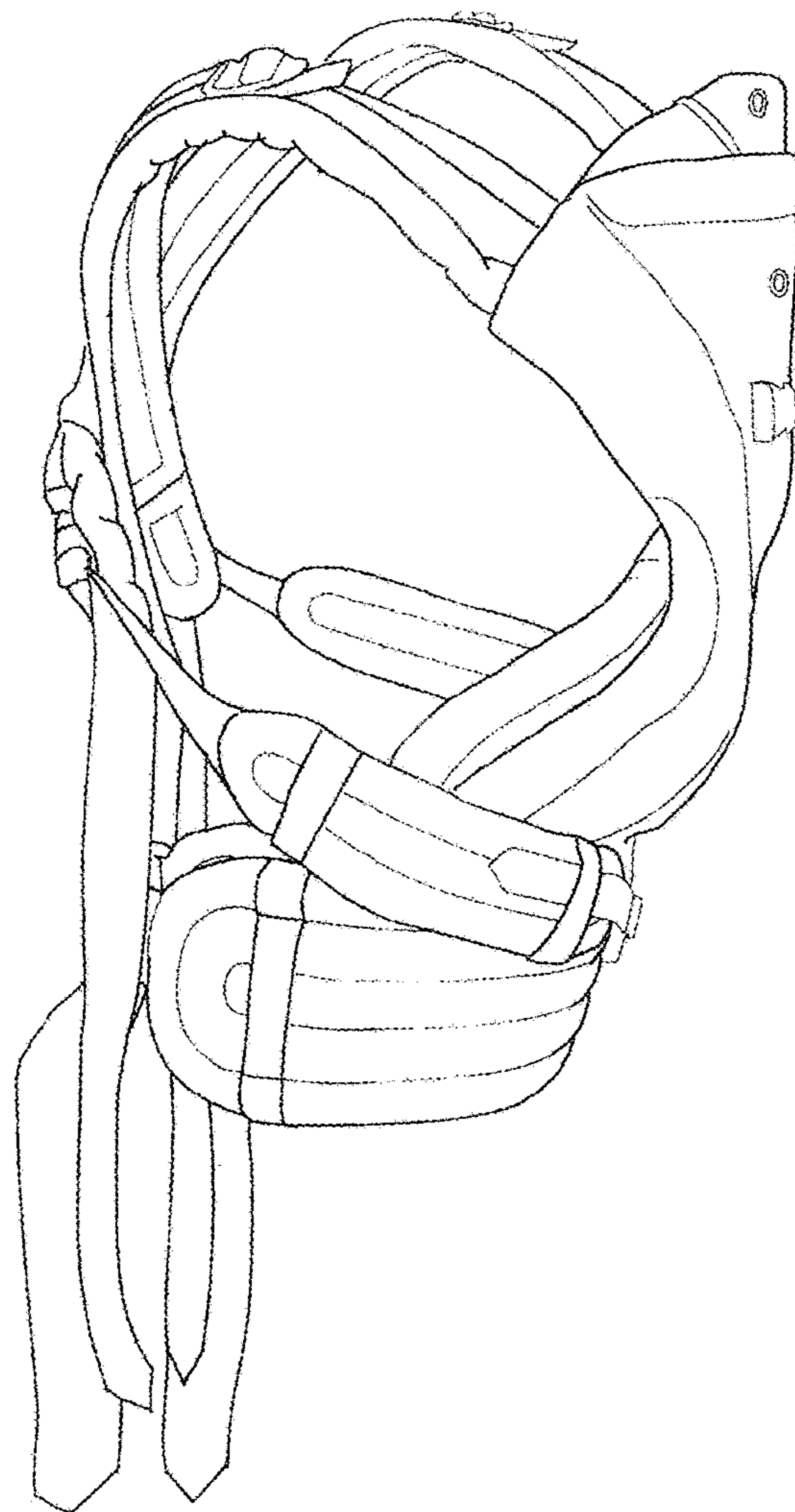


FIG. 4