



US00D783268S

(12) **United States Design Patent**
Shelton

(10) **Patent No.:** **US D783,268 S**

(45) **Date of Patent:** **** Apr. 11, 2017**

- (54) **COMBINATION KEY RING AND FRAGRANCE DISPENSER**
- (71) Applicant: **Nicole Shelton**, Astoria, NY (US)
- (72) Inventor: **Nicole Shelton**, Astoria, NY (US)
- (**) Term: **15 Years**
- (21) Appl. No.: **29/585,044**
- (22) Filed: **Nov. 18, 2016**
- (51) **LOC (10) Cl.** **03-01**
- (52) **U.S. Cl.**
USPC **D3/208; D28/91.1**
- (58) **Field of Classification Search**
USPC D11/1-2, 14, 26-29, 89-92, 44, 48, 81,
D11/99; 63/26-28, 32, DIG. 2;
D3/207-212, 202; D8/16, 38, 347, 348;
70/456 B, 457, 458, 456 R; 206/37.1, 37;
D14/434, 435, 435.1, 436, 439, 480.3,
D14/480.1, 480.5, 480.7; D24/174, 173,
D24/480.3; D28/5, 91.1; D20/37;
221/92; 401/262; 222/182, 321.9;
D9/688, 690, 519, 521, 443
CPC A45C 11/32; A47G 29/10; B43K 23/12;
B43K 23/022; A61L 9/04; A44B 15/00;
A44B 15/005; A45F 5/00; A45F
2005/002
See application file for complete search history.

4,454,966 A	6/1984	Hicks	
D278,370 S *	4/1985	Speitel	D28/5
D316,814 S *	5/1991	Duffy	D3/202
D428,213 S *	7/2000	De Baschmakoff	D28/91.1
D505,865 S *	6/2005	Seizer	D9/688
D541,041 S *	4/2007	Rich	D3/208
D547,189 S *	7/2007	Legros	D9/521
7,243,859 B2 *	7/2007	Caserta	A61L 9/127 239/34
D557,615 S *	12/2007	Kroupa	D9/414
D625,761 S *	10/2010	Pavlik	D21/374
D630,010 S *	1/2011	Brown	D3/208
8,118,511 B1	2/2012	Stadnyk	
8,261,946 B2	9/2012	Grant	
8,978,938 B2	3/2015	Hui	
9,260,236 B2 *	2/2016	Schumacher	B65D 83/388
2008/0072639 A1	3/2008	Kurdziel	
2010/0102142 A1	4/2010	Tagliareni	

* cited by examiner

Primary Examiner — Ralf Seifert

(74) *Attorney, Agent, or Firm* — Steinberg Intellectual Property Law, LLC; Gloria M. Steinberg, Esq.

(57) **CLAIM**

The ornamental design for a combination key ring and fragrance dispenser, as shown and described.

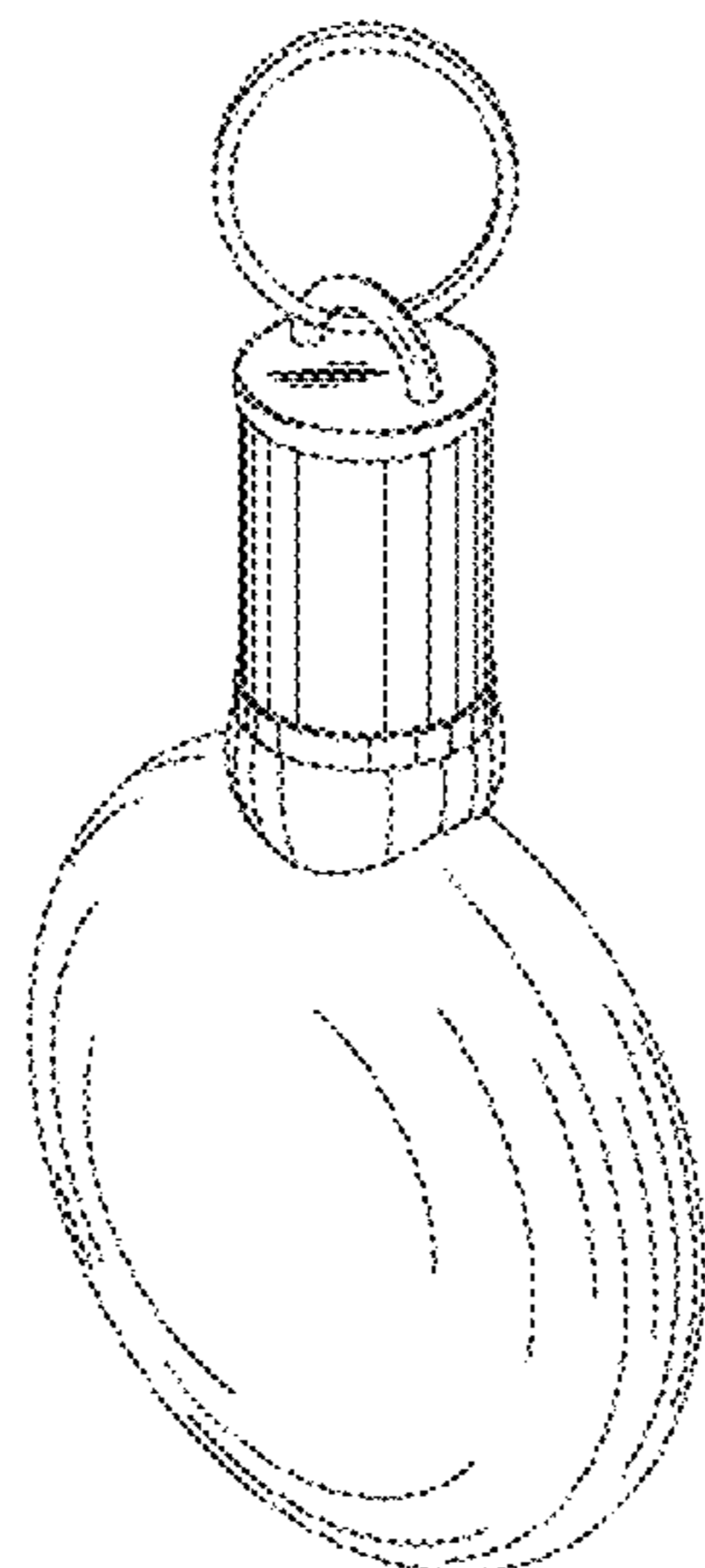
DESCRIPTION

FIG. 1 is a front side elevational view of the combination key ring and fragrance dispenser of the present invention, the rear side being a mirror image thereof;
 FIG. 2 is a left side elevational view thereof, the right side being a mirror image thereof;
 FIG. 3 is a top view thereof;
 FIG. 4 is a bottom view thereof;
 FIG. 5 is a perspective view thereof; and,
 FIG. 6 is a front side view of the combination key ring and fragrance dispenser in an open configuration with the cap removed.

1 Claim, 5 Drawing Sheets

(56) **References Cited**
U.S. PATENT DOCUMENTS

1,104,607 A *	7/1914	Berger	B05B 11/043 239/327
D76,065 S *	8/1928	Smith	D28/91.1
D158,336 S *	4/1950	Sinderman	D28/91.1
D175,090 S *	7/1955	Newton	D24/194
3,470,929 A *	10/1969	Thornton	B65D 51/165 215/378
4,023,712 A *	5/1977	Babiak	B65D 83/40 222/175



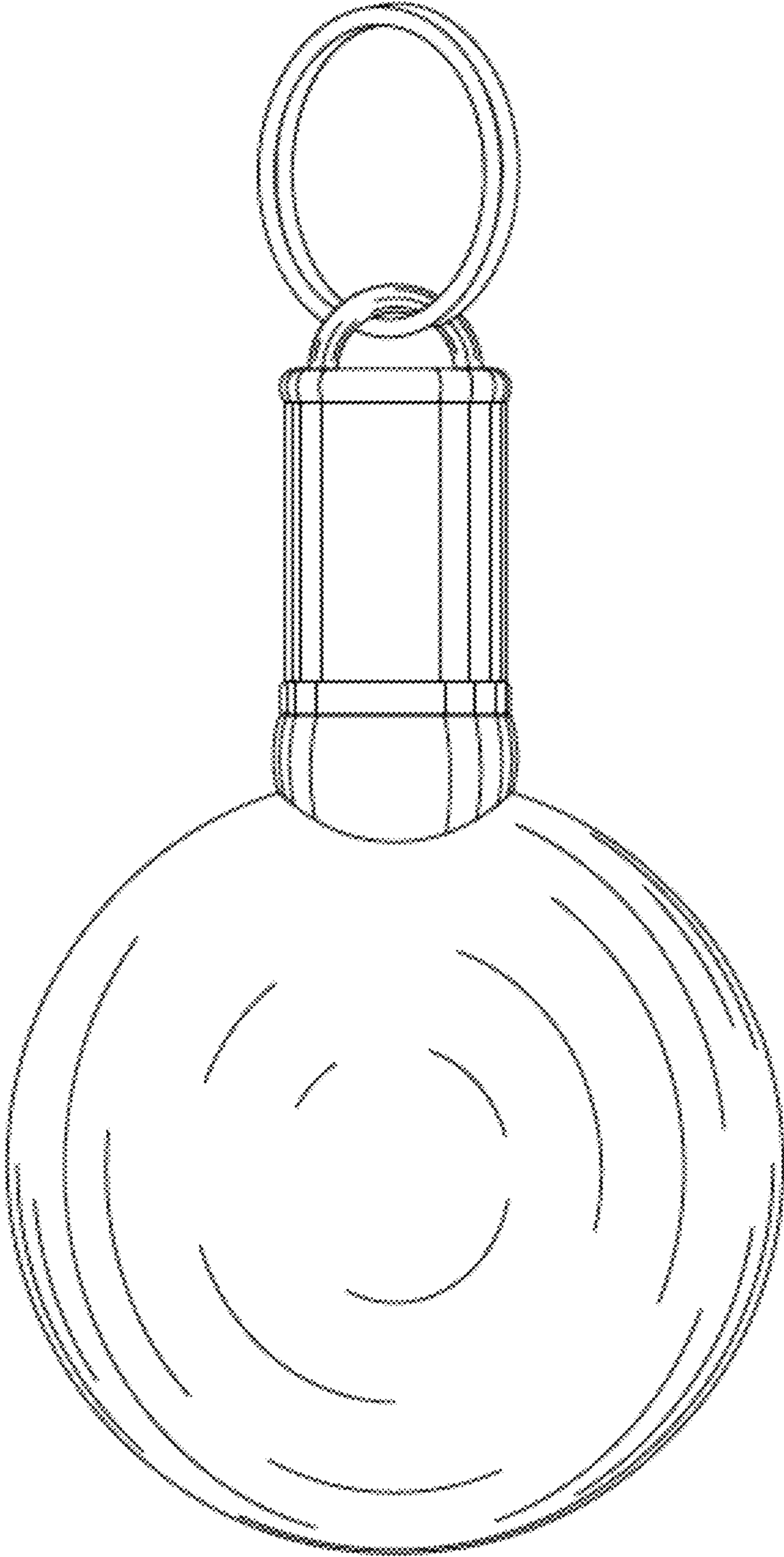


FIG. 1

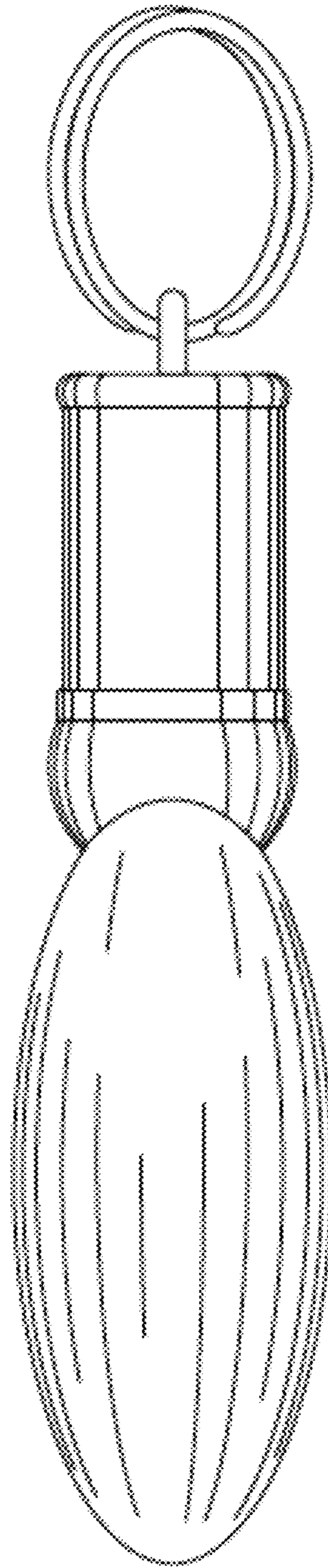


FIG. 2

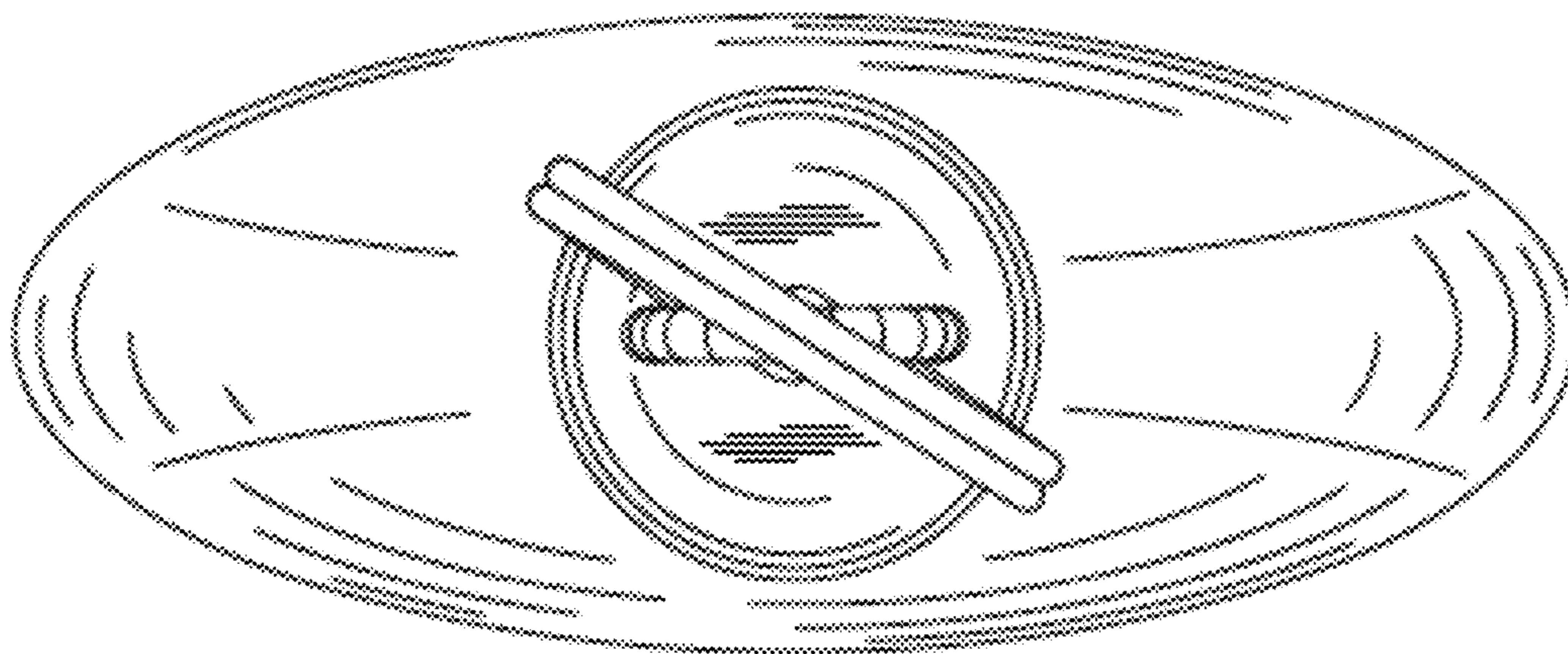


FIG. 3

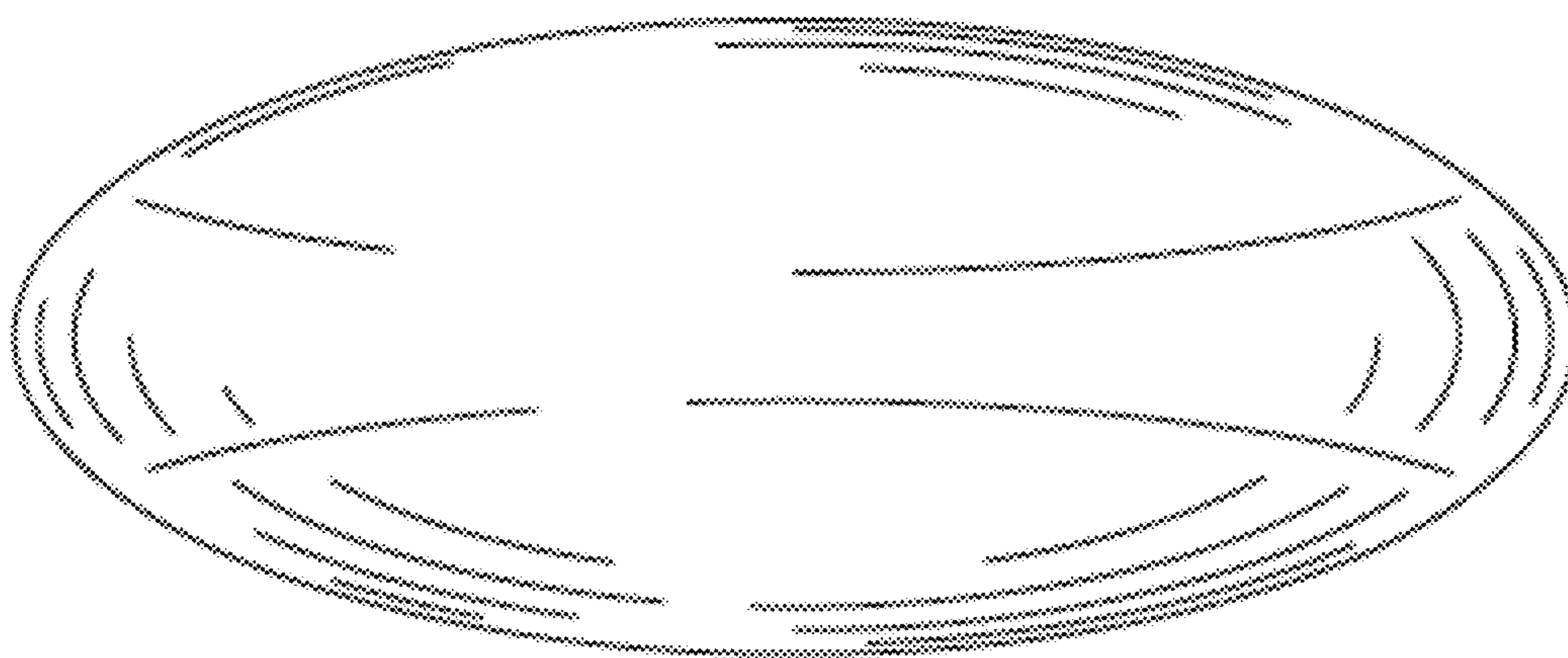


FIG. 4

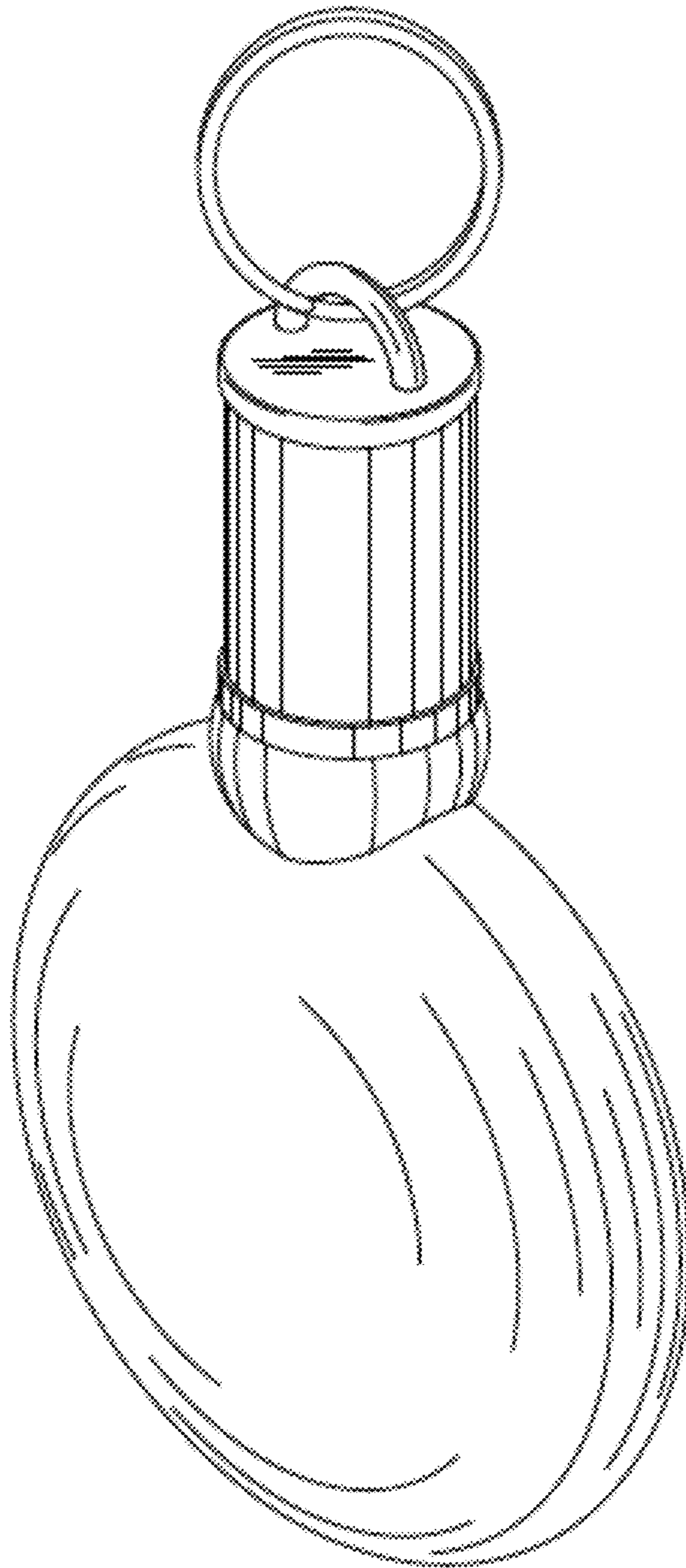


FIG. 5

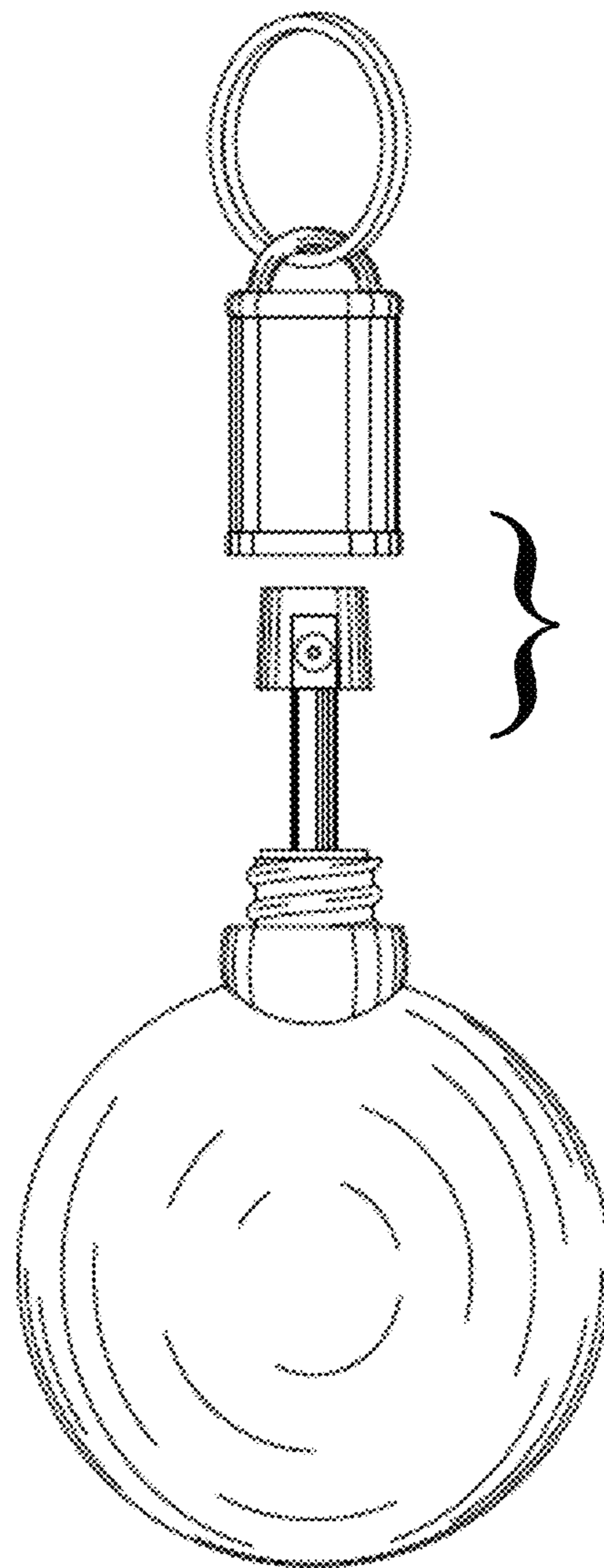


FIG. 6