



US00D783243S

(12) **United States Design Patent**
Campbell

(10) **Patent No.:** **US D783,243 S**
(45) **Date of Patent:** **** Apr. 11, 2017**

(54) **PVC-BASED RUBBER OPEN TOE SHOE**

(71) Applicant: **Jeffrey Campbell**, Los Angeles, CA (US)

(72) Inventor: **Jeffrey Campbell**, Los Angeles, CA (US)

(73) Assignee: **JEFFREY CAMPBELL, LLC**, Los Angeles, CA (US)

(**) Term: **15 Years**

(21) Appl. No.: **29/585,424**

(22) Filed: **Nov. 23, 2016**

(51) **LOC (10) Cl.** **02-04**

(52) **U.S. Cl.**
USPC **D2/926**

(58) **Field of Classification Search**
USPC D2/896, 919-921, 925, 926, 939, 940, D2/971
CPC A43B 21/00; A43B 21/02; A43B 21/06; A43B 9/14; A43B 1/0045; A43B 13/10; A43B 13/12; A43B 23/06; A43B 23/07; A43B 1/0036; A43B 5/12

See application file for complete search history.

(56) **References Cited**

U.S. PATENT DOCUMENTS

1,100,319 A	6/1914	Moore	
D73,808 S *	11/1927	Veran	D2/926
D110,072 S *	6/1938	Saccal	D2/940
D115,141 S *	6/1939	Barnett	D2/939
D185,129 S	5/1959	Cahn	
4,476,600 A	10/1984	Seidel et al.	
D406,937 S	3/1999	Nakazawa	
D461,626 S	8/2002	Hisamatsu	
D515,289 S	2/2006	Isenberg	

(Continued)

OTHER PUBLICATIONS

'Ruler' High Vamp Mule, date unknown: http://shop.nordstrom.com/s/topshop-ruler-high-vamp-mule-women/4458619?cm_mmc=Linkshare-_-datafeed-_-Women%3AShoes%3AMule-_-5244394&siteId=tZkYzve9Cvk-bhVRoGzrMcQ36jFNN2W1Cw.*

(Continued)

Primary Examiner — Dominic Simone

(74) *Attorney, Agent, or Firm* — Cislo & Thomas, LLP

(57) **CLAIM**

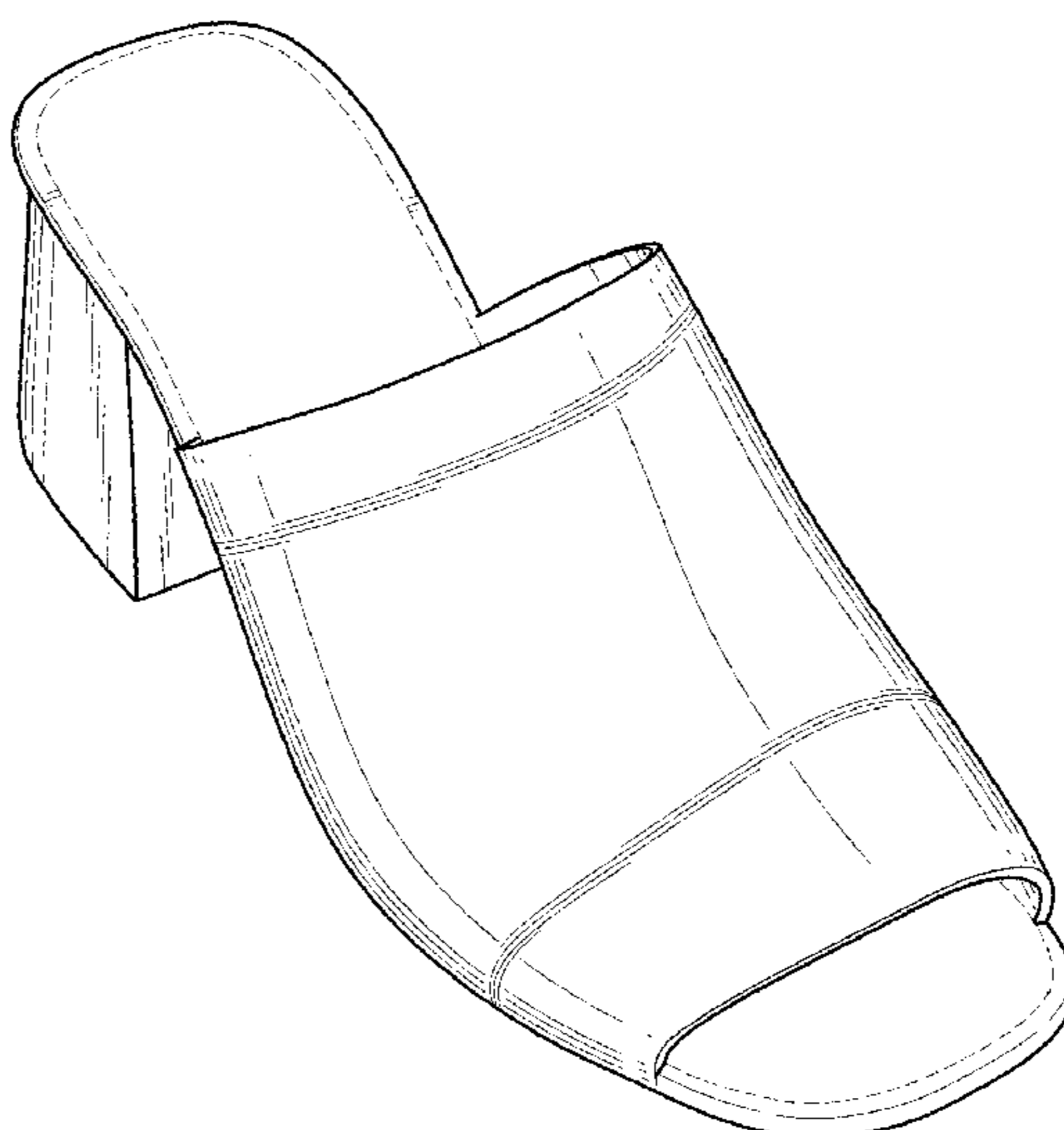
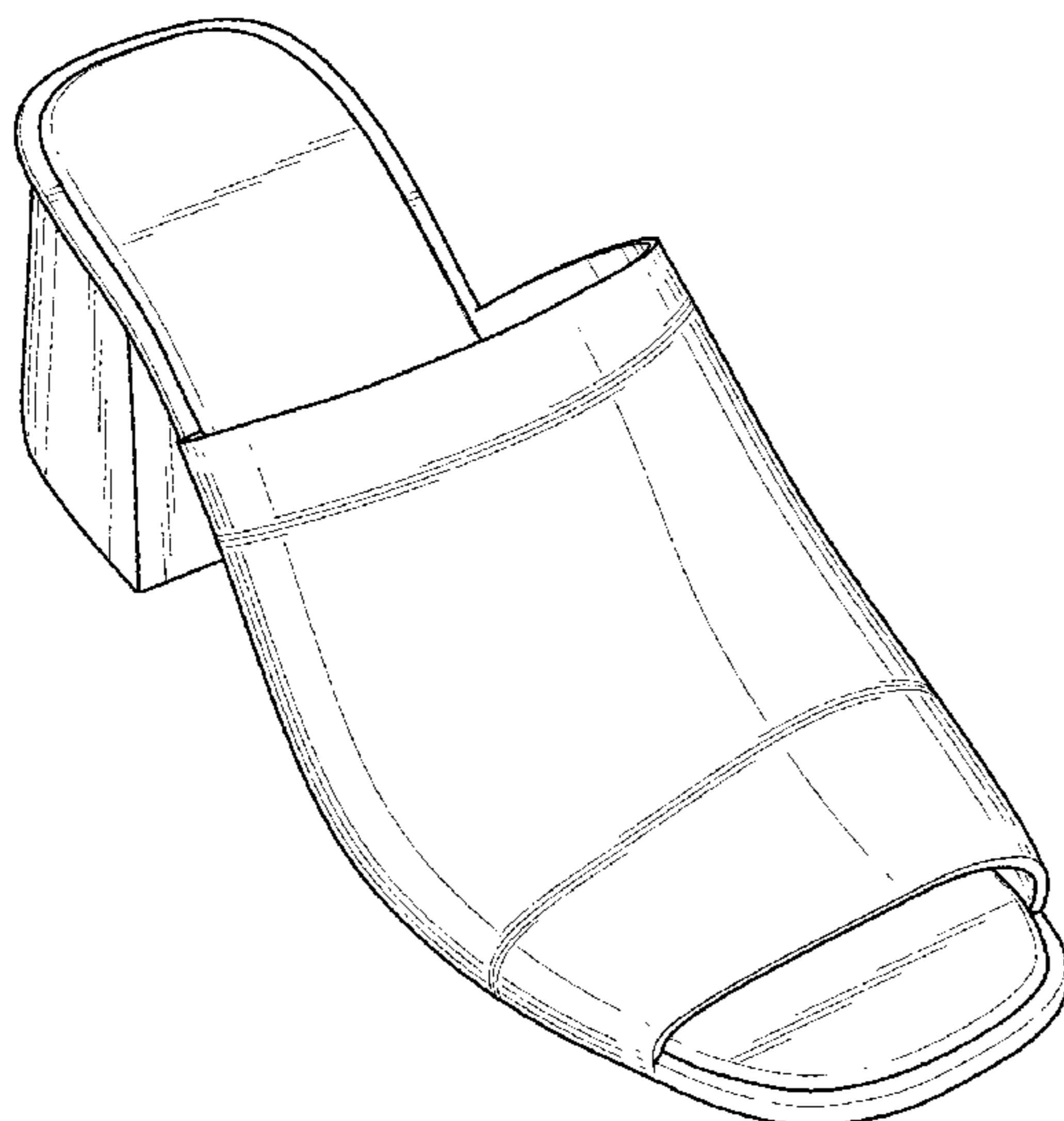
The ornamental design for a PVC-based rubber open toe shoe, as shown and described.

DESCRIPTION

FIG. 1 is a front perspective view of my PVC-based rubber open toe shoe;
FIG. 2 is a top view thereof;
FIG. 3 is a right side view thereof;
FIG. 4 is a left side view thereof;
FIG. 5 is a bottom view thereof;
FIG. 6 is a front view thereof;
FIG. 7 is a rear view thereof; and
FIG. 8 is a cross-sectional view of my PVC-based rubber open toe shoe cut along line 8-8 of FIG. 2.
FIG. 9 is front perspective view of an alternative embodiment of my PVC-based rubber open toe shoe;
FIG. 10 is a top view thereof;
FIG. 11 is a right side view thereof;
FIG. 12 is a left side view thereof;
FIG. 13 is a bottom view thereof;
FIG. 14 is a front view thereof;
FIG. 15 is a rear view thereof; and
FIG. 16 is a cross-sectional view of an alternative embodiment of my PVC based rubber open toe shoe cut along line 16-16 of FIG. 10.

The broken lines are for environmental purposes only and form no part of the claimed design.

1 Claim, 8 Drawing Sheets



(56)

References Cited

U.S. PATENT DOCUMENTS

D577,479 S * 9/2008 Weitzman D2/926
D644,006 S 8/2011 Tran et al.
D651,385 S 1/2012 Menghi
D702,027 S * 4/2014 Campbell D2/925
D707,021 S * 6/2014 Horwitz D2/926
D733,409 S 7/2015 Catelli
D734,598 S 7/2015 Muskat

OTHER PUBLICATIONS

Jeffrey Campbell, "Perpetua", Nordstrom's Website: http://shop.nordstrom.com/s/jeffrey-campbell-perpetua-open-toe-mule-women/4284829?cm_mmc=google-_-productads-_-Women%3AShoes.

* cited by examiner

FIG. 1

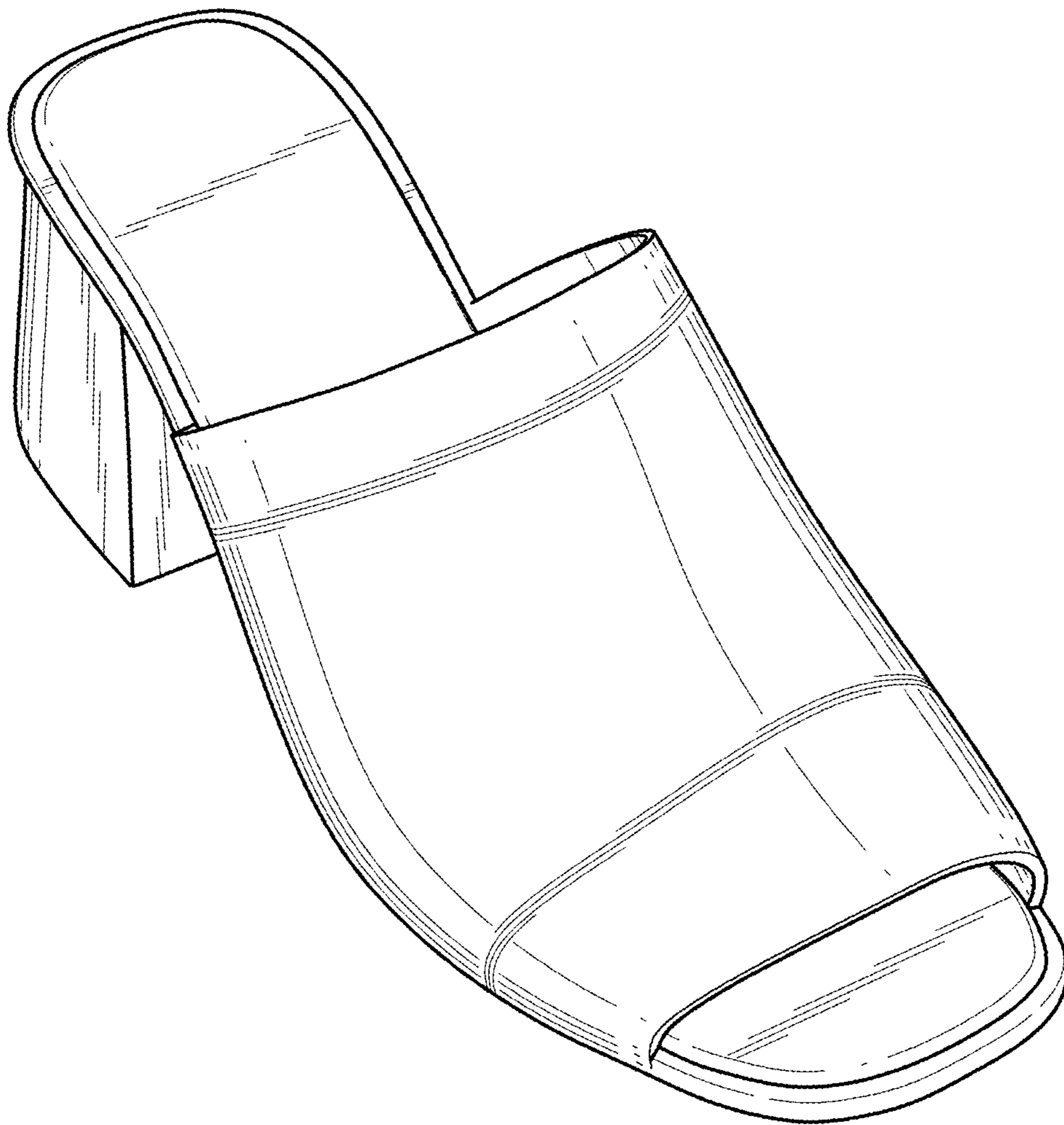


FIG. 2

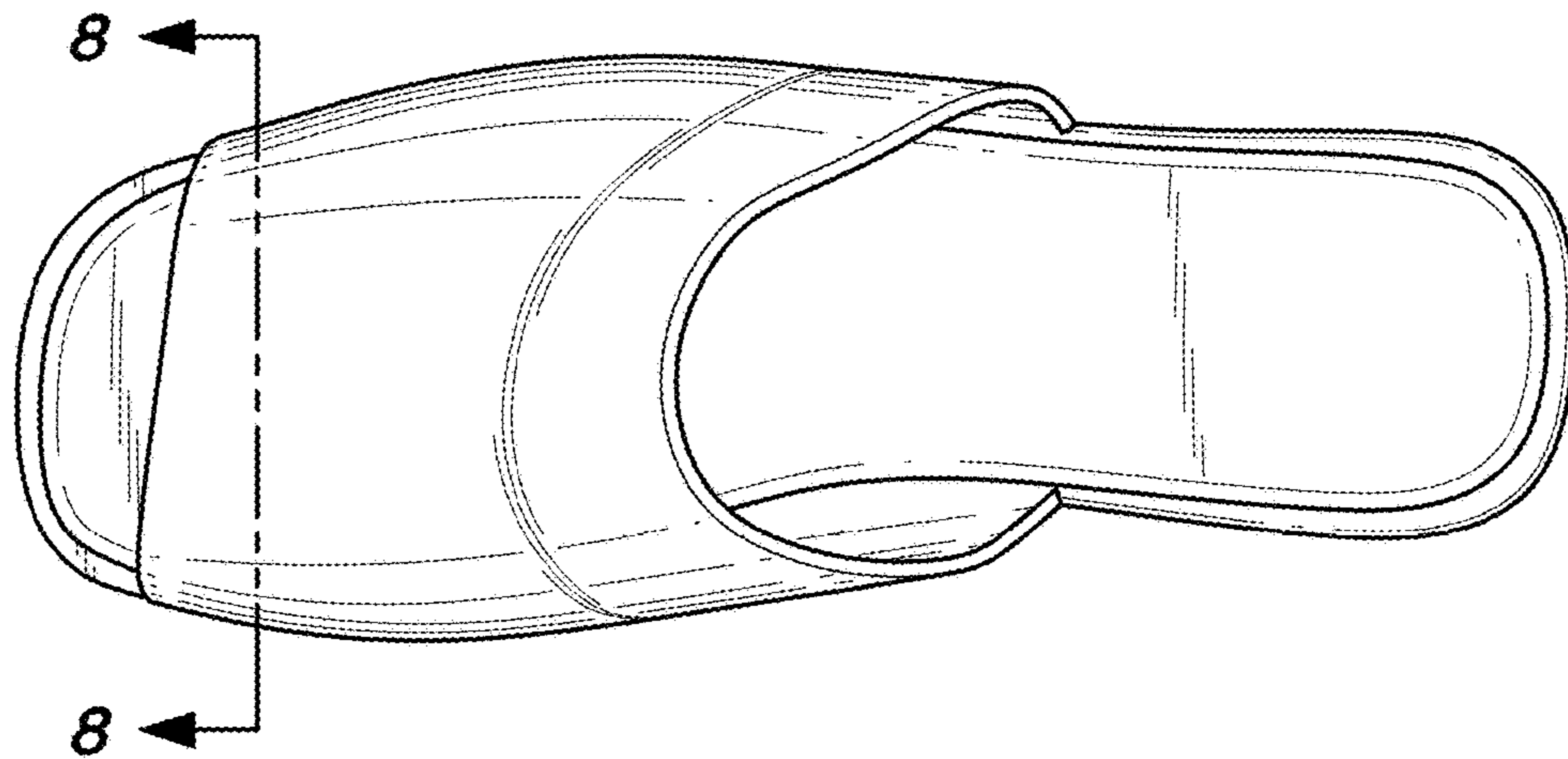


FIG. 3

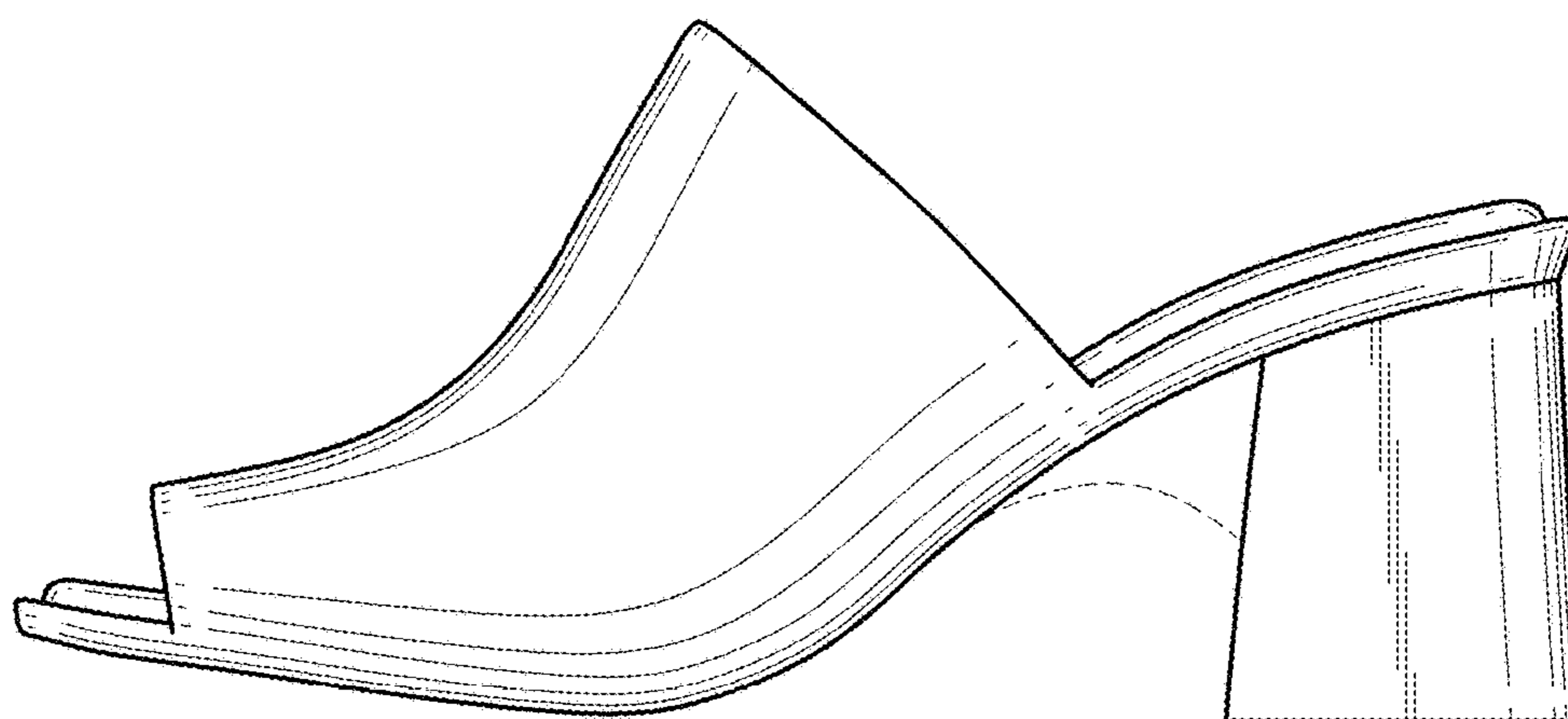


FIG. 4

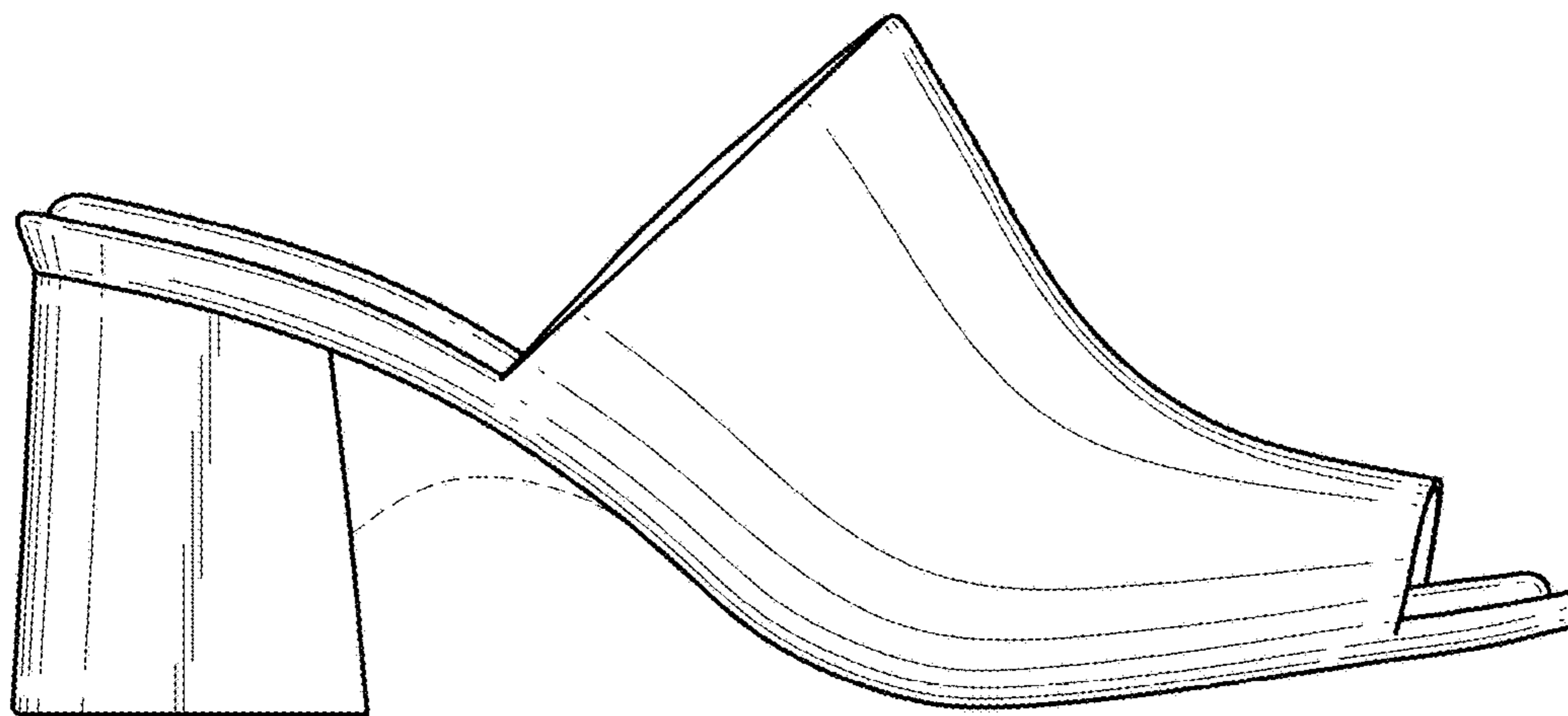


FIG. 5

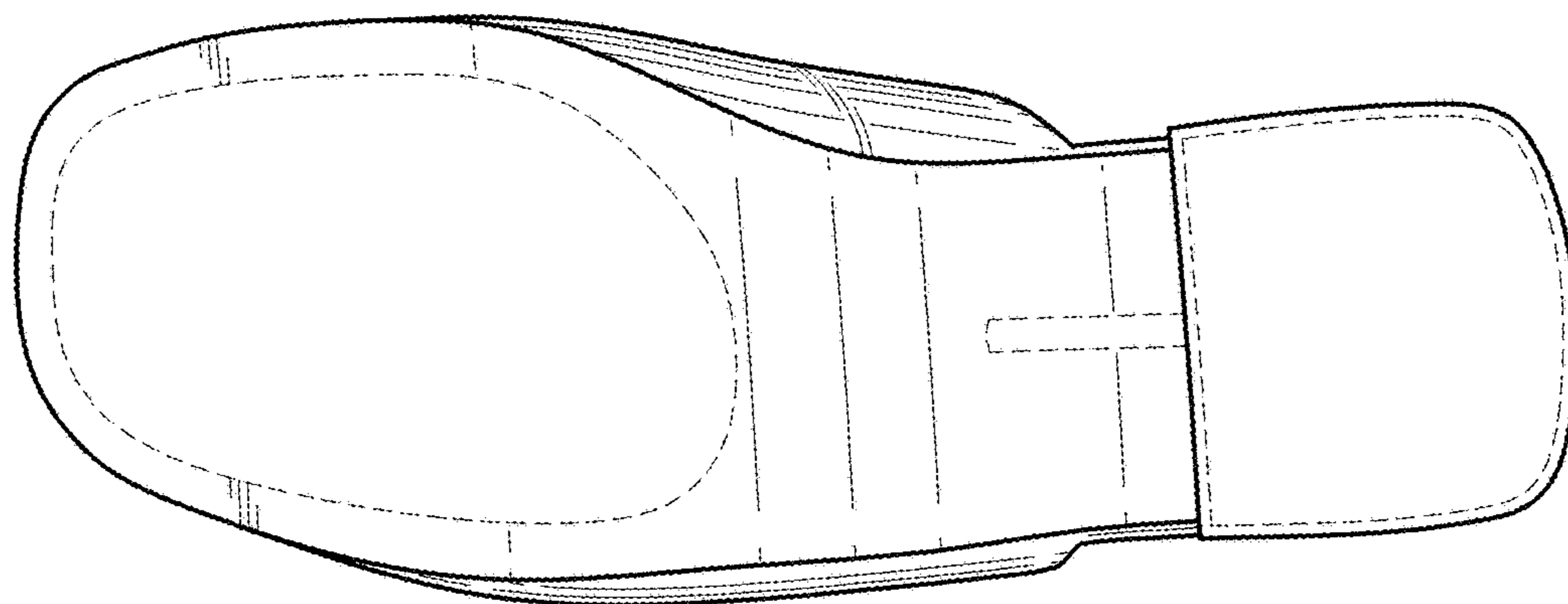


FIG. 6

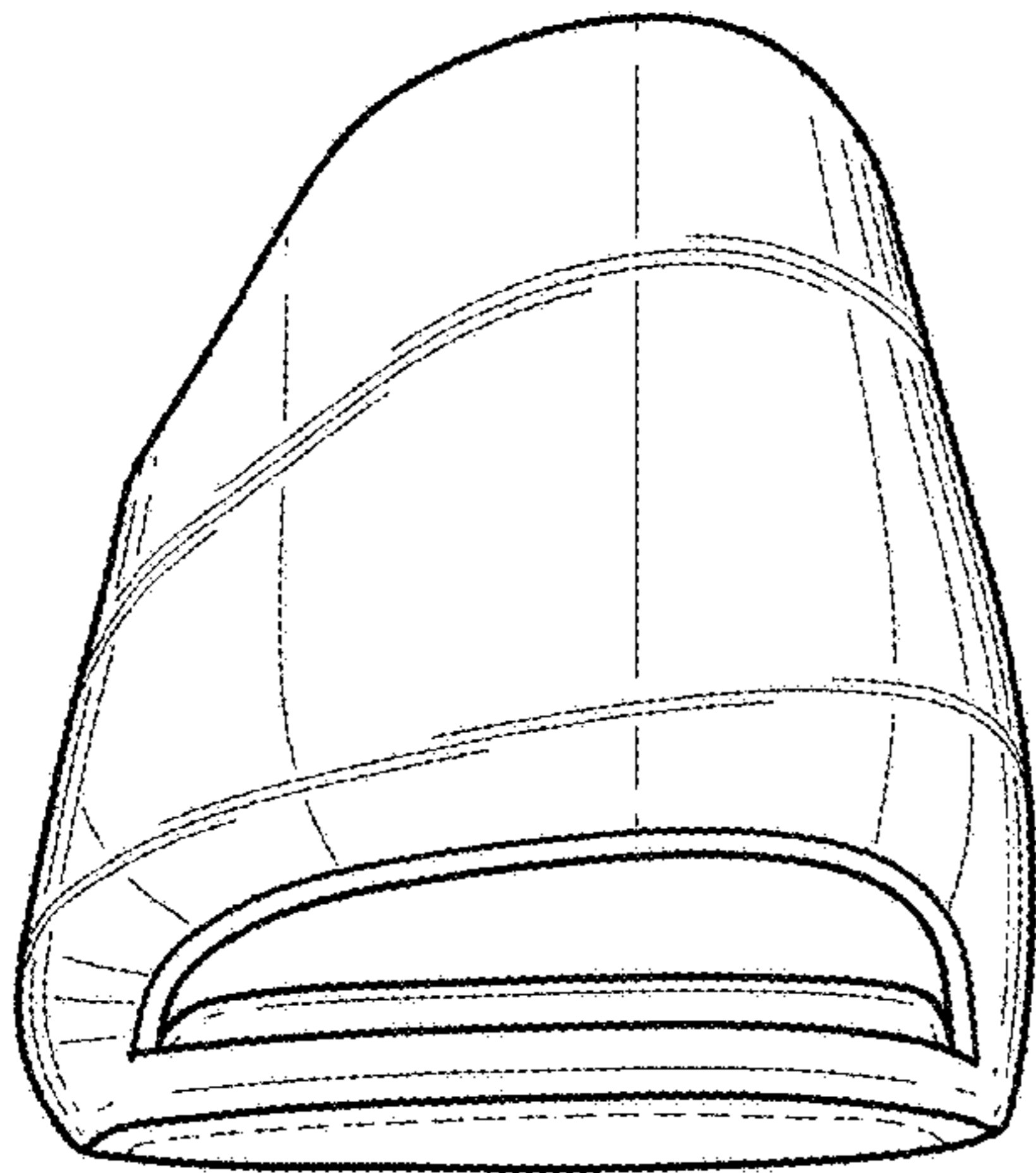


FIG. 7

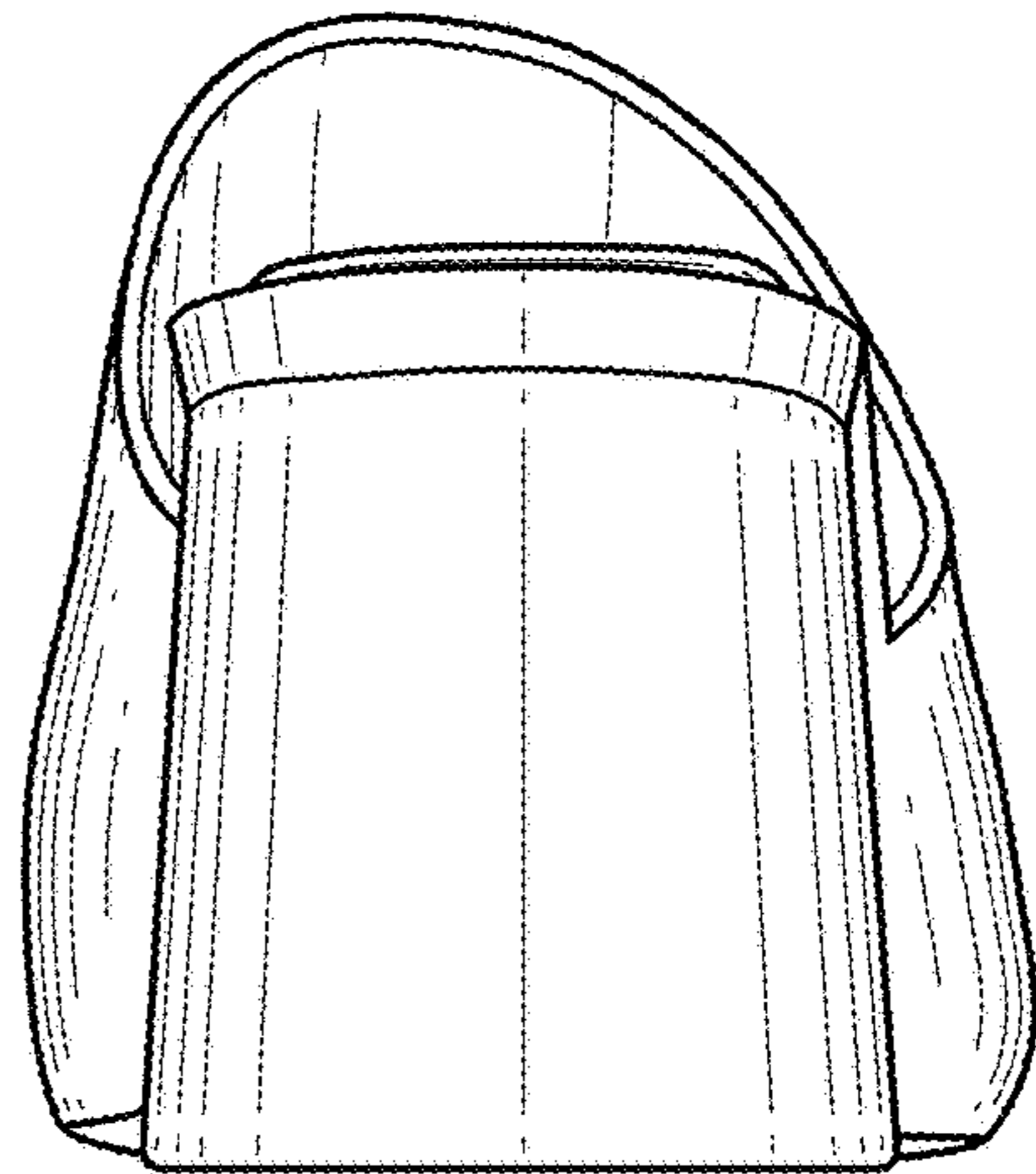


FIG. 8

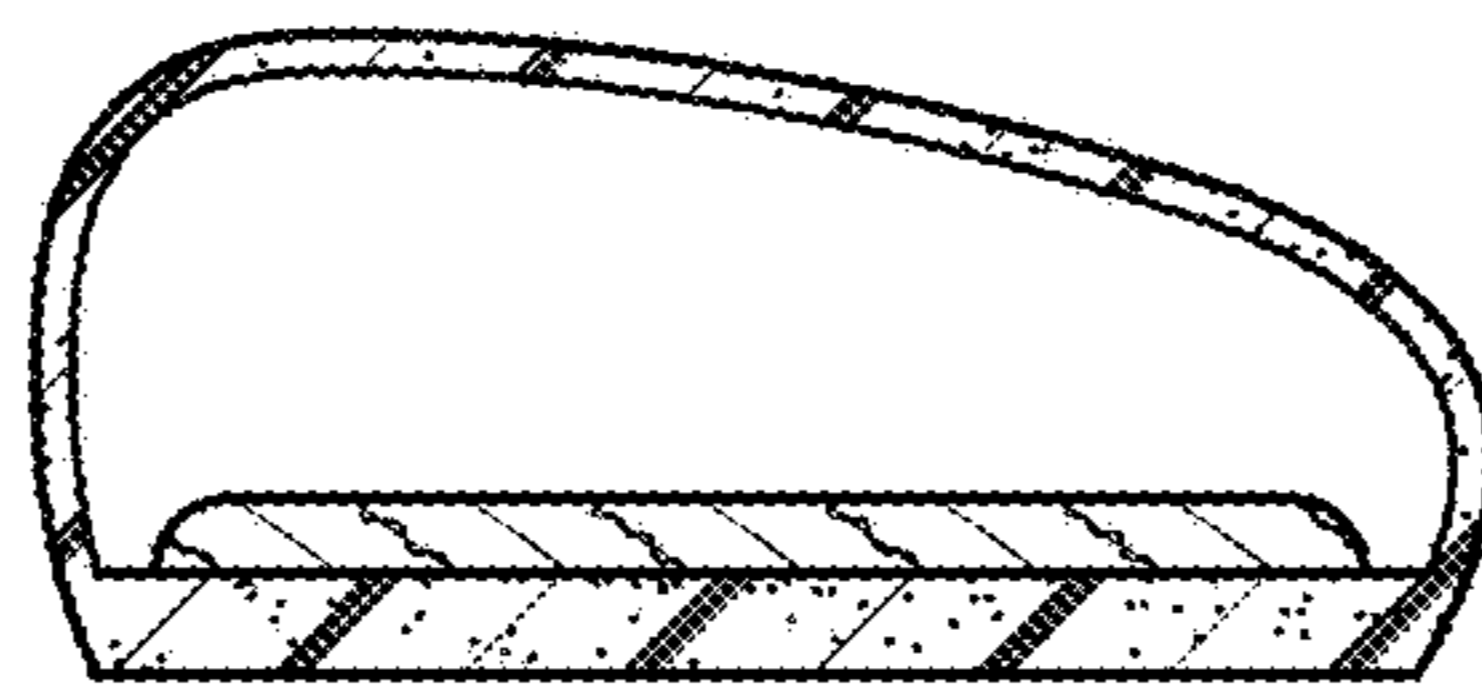


FIG. 9

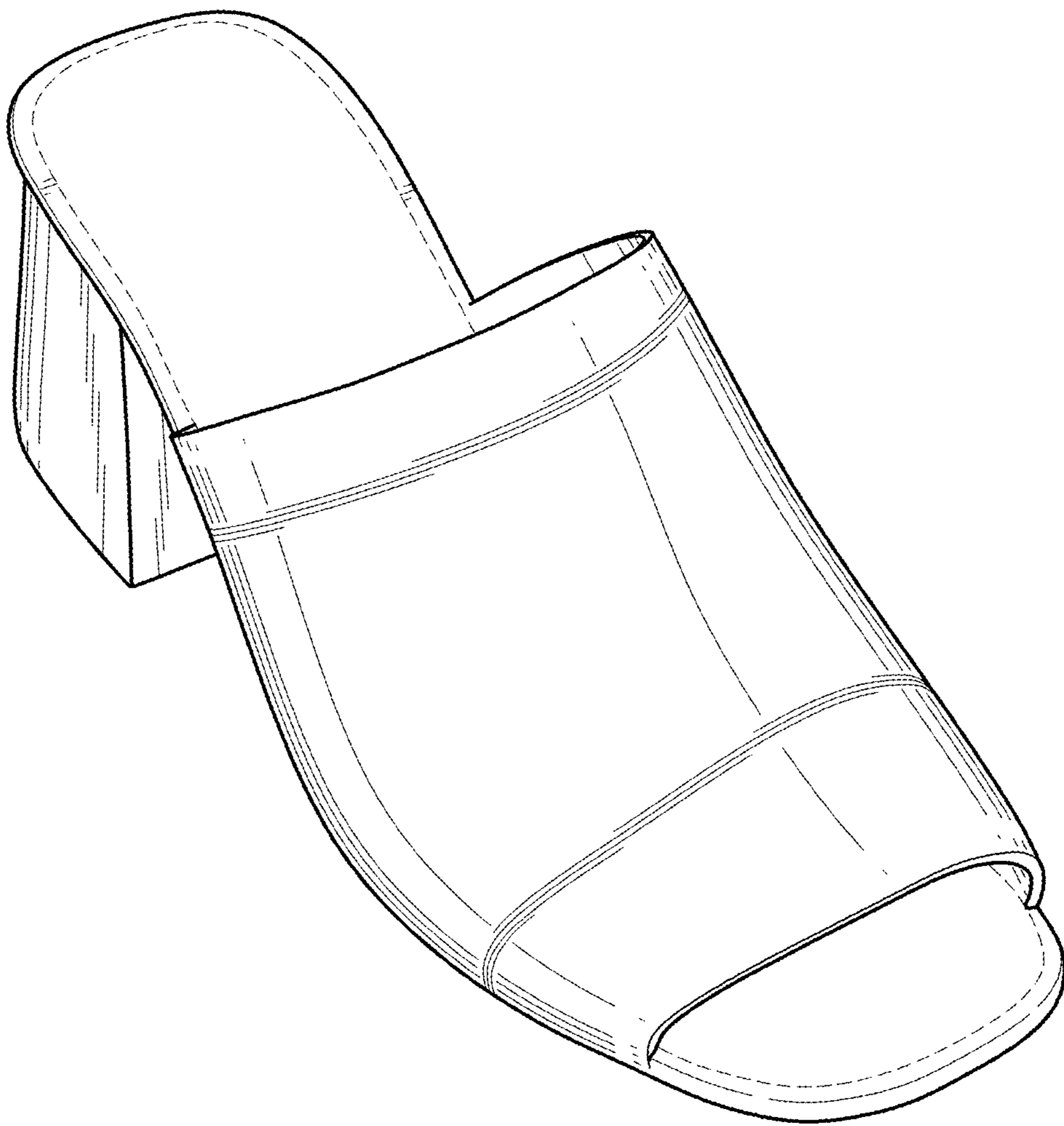


FIG. 10

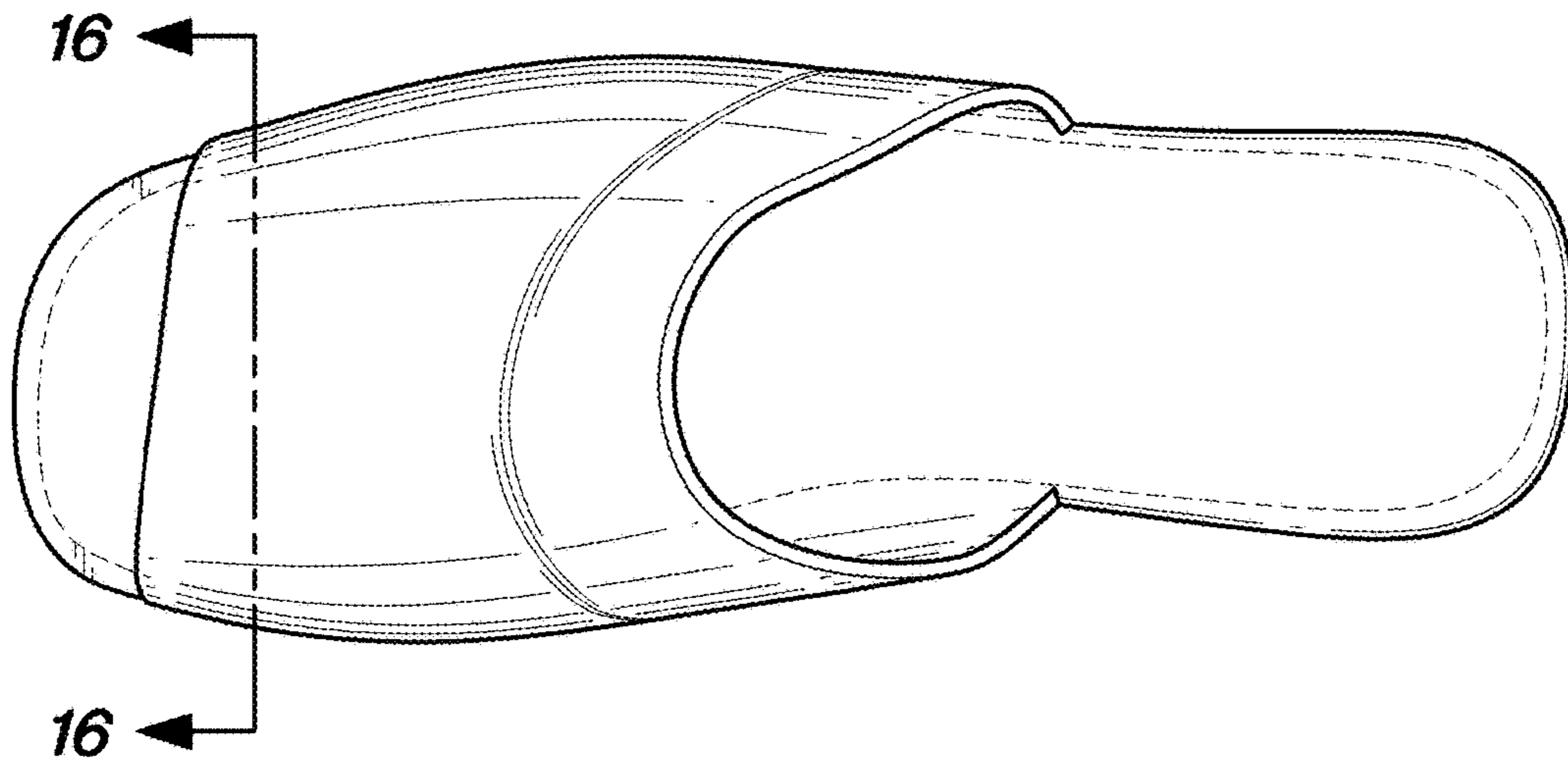


FIG. 11

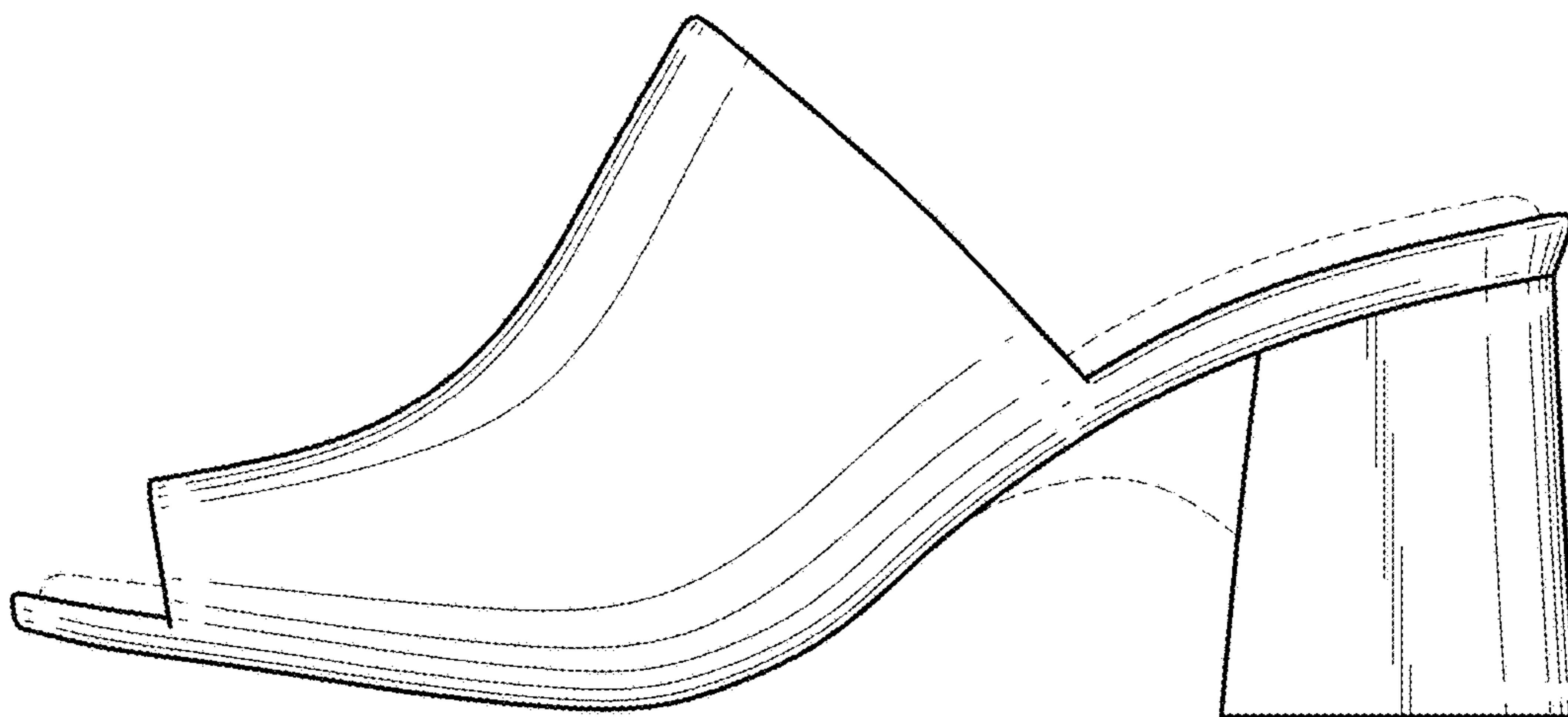


FIG. 12

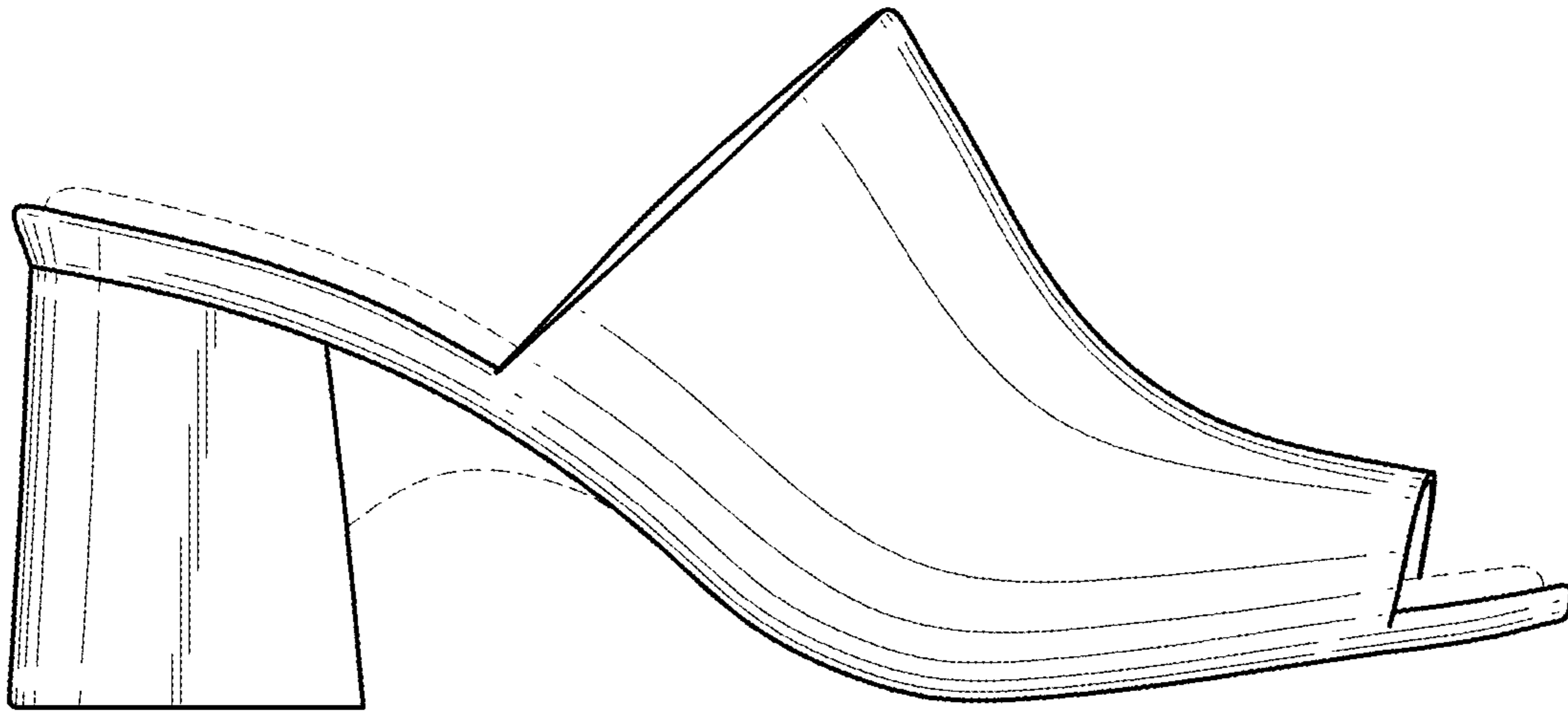


FIG. 13

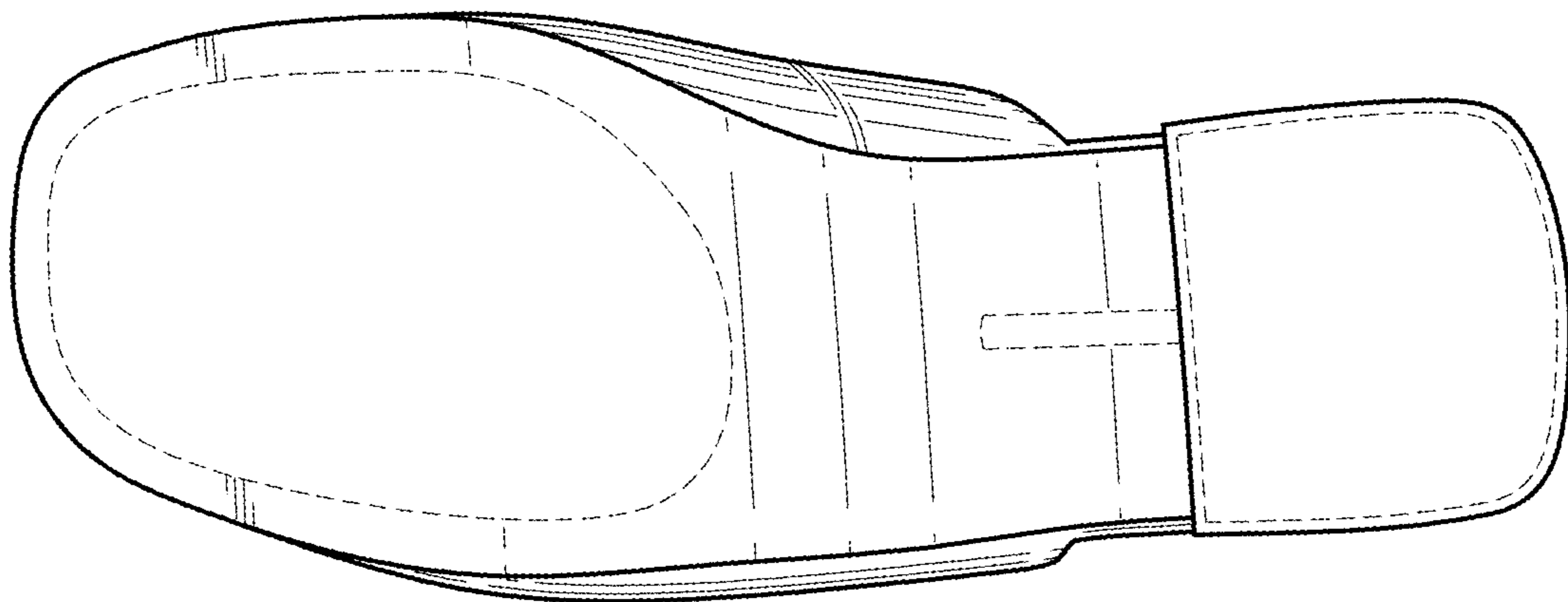


FIG. 14

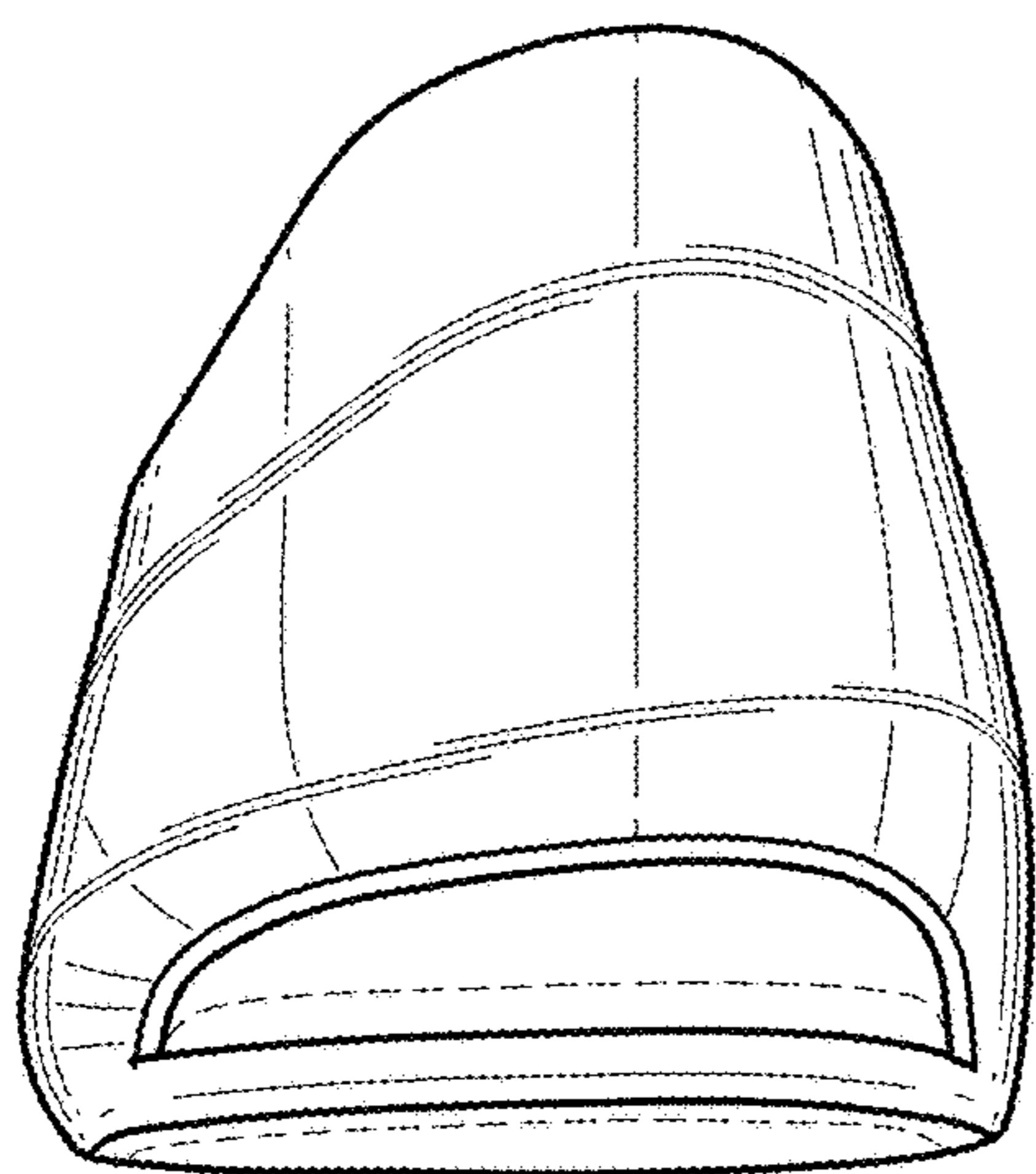


FIG. 15

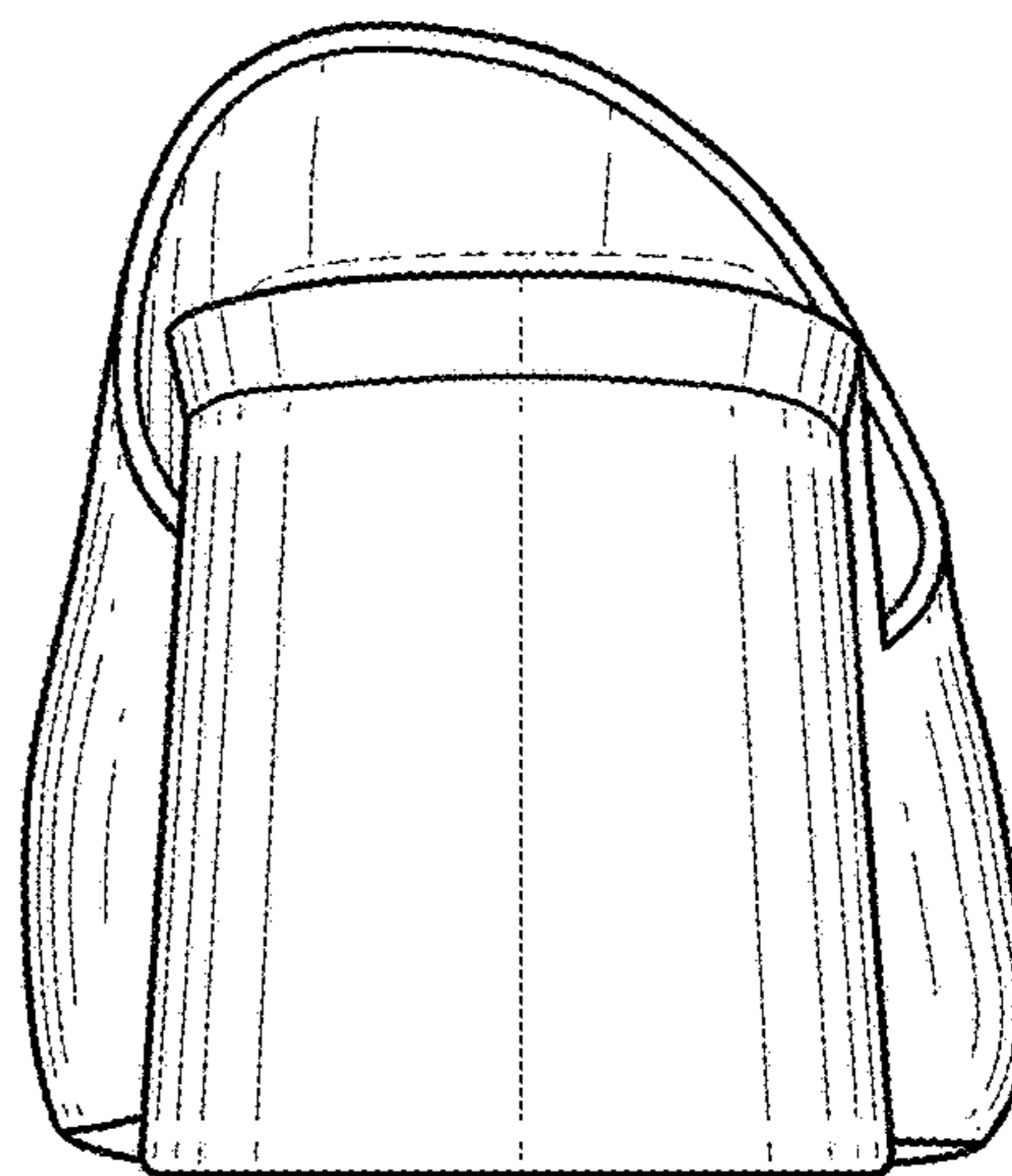


FIG. 16

