



US00D783231S

(12) **United States Design Patent**  
**Lomax**

(10) **Patent No.:** **US D783,231 S**  
(45) **Date of Patent:** **\*\* Apr. 11, 2017**

- (54) **GARMENT**
- (71) Applicant: **NIKE, Inc.**, Beaverton, OR (US)
- (72) Inventor: **Jessica Lomax**, London (GB)
- (73) Assignee: **NIKE, Inc.**, Beaverton, OR (US)
- (\*\*) Term: **15 Years**
- (21) Appl. No.: **29/549,533**
- (22) Filed: **Dec. 22, 2015**
- (51) **LOC (10) Cl.** ..... **02-02**
- (52) **U.S. Cl.**  
USPC ..... **D2/731**
- (58) **Field of Classification Search**  
USPC ..... D2/700, 715, 717, 728, 731, 735, 749,  
D2/750, 753, 755, 761, 840, 849; 2/69,  
2/77, 84, 90, 102, 115, 123, 456, 458,  
2/462  
CPC . A41D 1/00; A41D 1/04; A41D 13/00; A41D  
13/0015; A41D 3/005; A41D 27/28;  
A41D 22/00; A41B 1/00; A41B 1/08;  
A41B 9/00  
See application file for complete search history.

- D575,930 S 9/2008 Vacchiano
- D606,285 S 12/2009 Schindler
- D608,077 S 1/2010 Bybee et al.
- D608,982 S 2/2010 Wiens
- D611,229 S 3/2010 Hall et al.
- D612,130 S 3/2010 Hall et al.
- D619,783 S 7/2010 Jones et al.
- D628,771 S 12/2010 Kanada et al.
- D640,858 S 7/2011 Hall et al.
- D654,660 S 2/2012 Jones et al.
- D661,054 S 6/2012 Minamijima et al.
- D674,168 S 1/2013 Kajino et al.
- D679,894 S 4/2013 D'Angelo
- D683,934 S 6/2013 Whaley
- D689,258 S 9/2013 DeLeon
- D694,993 S 12/2013 Tanaka et al.

(Continued)

*Primary Examiner* — Wan Laymon  
*Assistant Examiner* — Luqman McNeil  
(74) *Attorney, Agent, or Firm* — Banner & Witcoff, Ltd.

(57) **CLAIM**

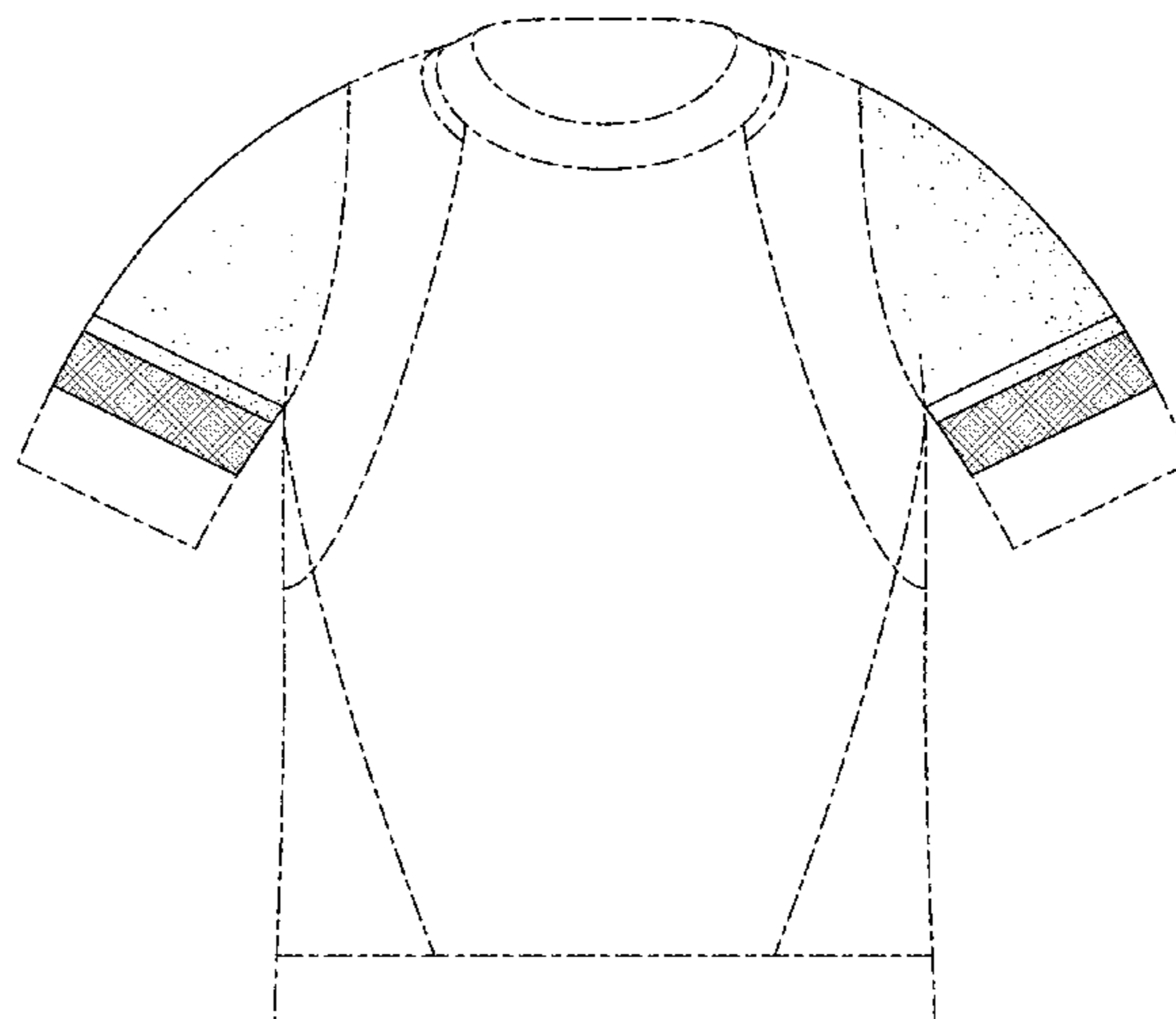
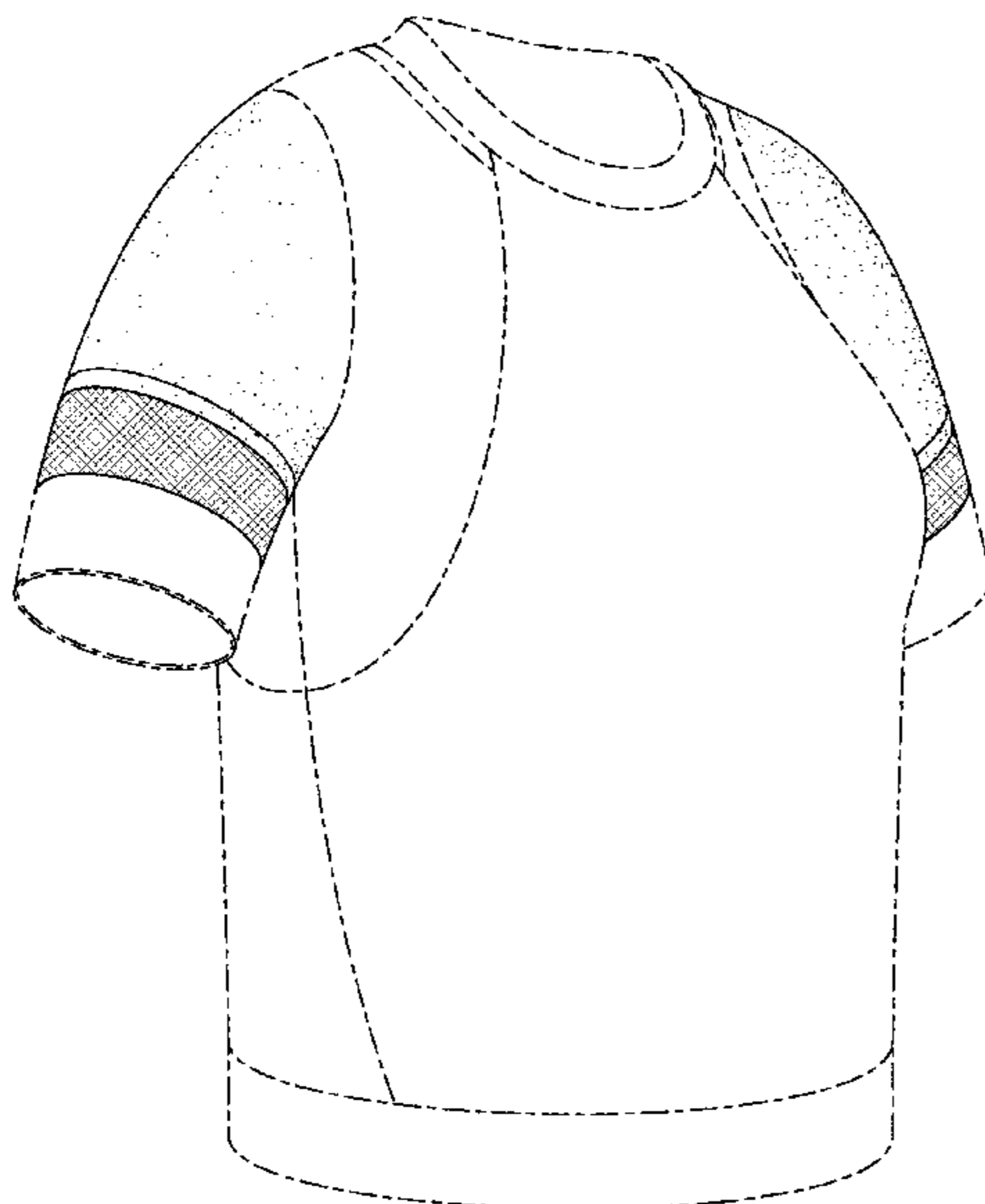
The ornamental design for a garment, as shown and described.

**DESCRIPTION**

FIG. 1 is a front left perspective view of a garment showing my new design in an in-use configuration;  
FIG. 2 is a front view thereof;  
FIG. 3 is a rear view thereof;  
FIG. 4 is a left side view thereof;  
FIG. 5 is a right side view thereof;  
FIG. 6 is a top view thereof; and,  
FIG. 7 is a bottom view thereof.  
The broken lines immediately adjacent to the shaded area represent unclaimed boundaries of the design. The unshaded regions, demarcated by broken lines, represent unclaimed portions of the garment and form no part of the claimed design.

- (56) **References Cited**  
U.S. PATENT DOCUMENTS
- D246,942 S 1/1978 Popiela
- D324,127 S 2/1992 Ashcraft
- D457,709 S 5/2002 Davis
- D461,623 S 8/2002 Bowden
- D463,092 S 9/2002 Perez
- D474,323 S 5/2003 Carter
- D514,776 S 2/2006 Green, Jr.
- D525,412 S 7/2006 O'Mahony
- D543,007 S 5/2007 Beckerman
- D550,427 S 9/2007 Moore
- D564,182 S 3/2008 Wiens

**1 Claim, 6 Drawing Sheets**



(56)

**References Cited**

U.S. PATENT DOCUMENTS

D698,123 S	1/2014	Yu et al.	
D698,124 S	1/2014	Yu et al.	
D712,631 S	9/2014	Trassiev	
D714,522 S	10/2014	Boyer et al.	
D722,217 S	2/2015	Quiban	
D732,270 S *	6/2015	Murphy .....	D2/717
D732,271 S *	6/2015	Fischer .....	D2/731
D744,205 S *	12/2015	Roscoe .....	D2/840
D757,396 S *	5/2016	Borovicka .....	D2/717
D760,480 S *	7/2016	Adrovic .....	D2/731
D765,344 S *	9/2016	McArthur .....	D2/717
D770,126 S *	11/2016	McArthur .....	D2/717
D770,142 S *	11/2016	McArthur .....	D2/731
D770,726 S *	11/2016	McArthur .....	D2/717
D771,904 S *	11/2016	McArthur .....	D2/717
D771,905 S *	11/2016	McArthur .....	D2/717
2016/0029701 A1 *	2/2016	Chang .....	A41D 1/04 2/69

\* cited by examiner

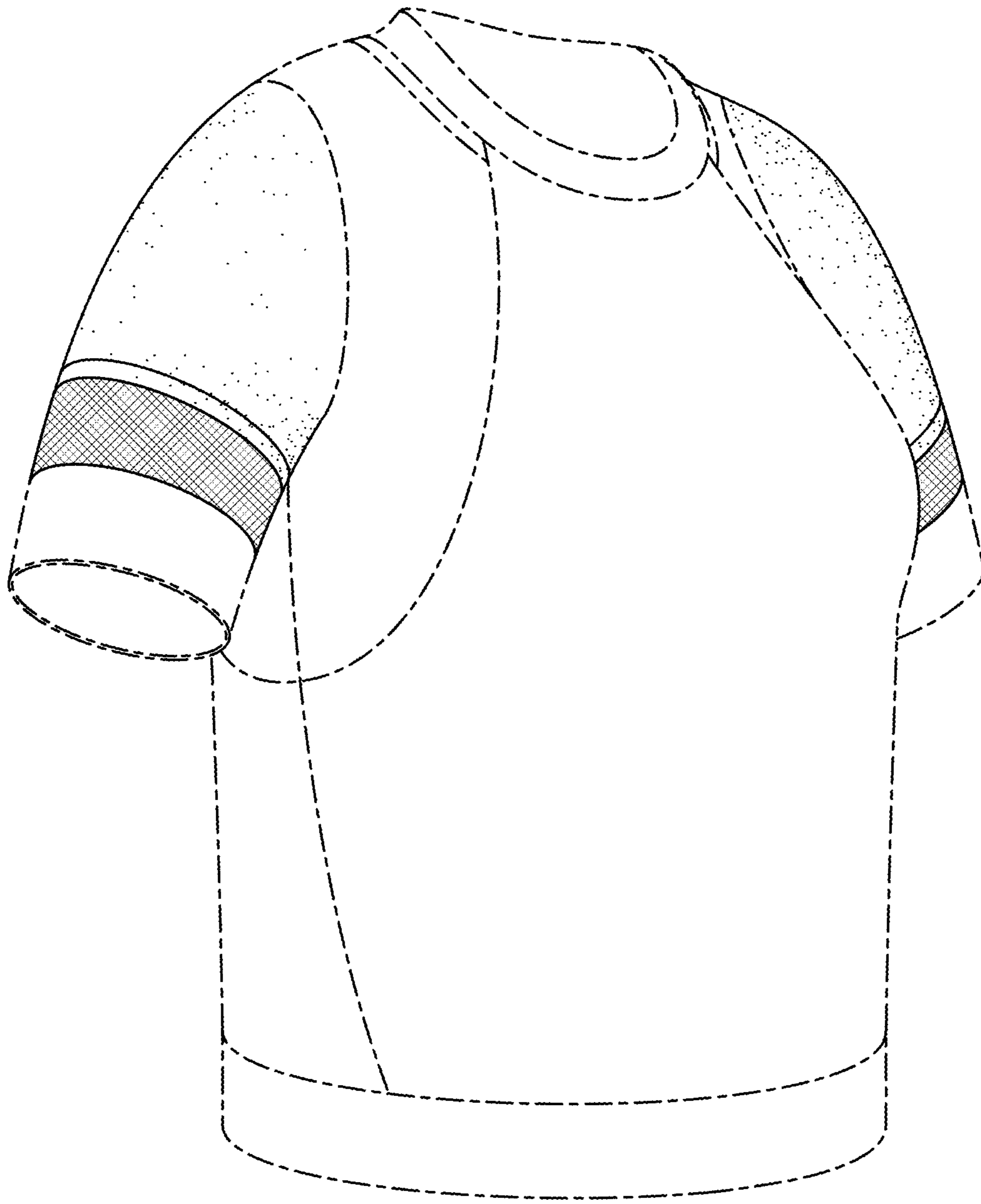


FIG. 1

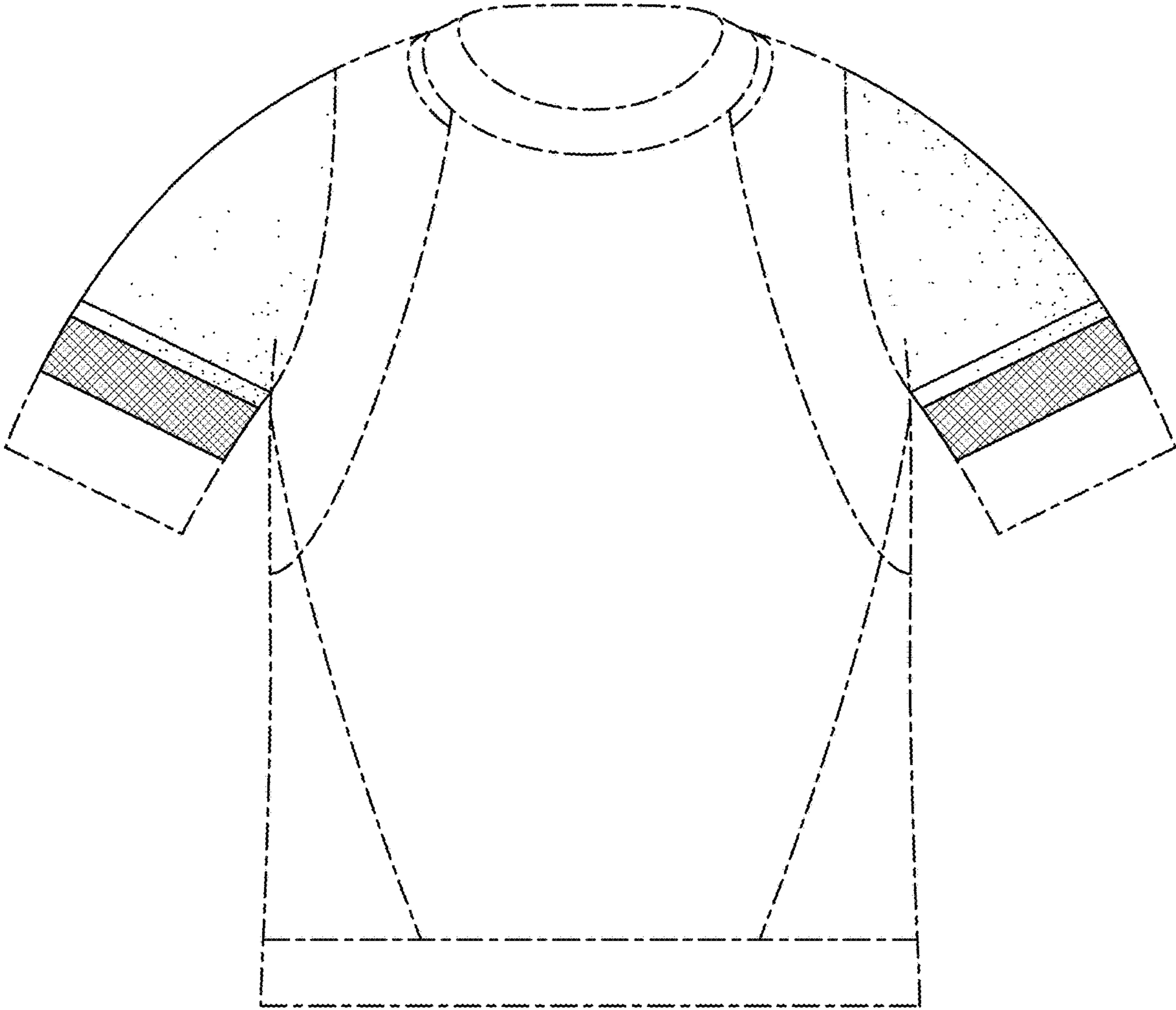


FIG. 2

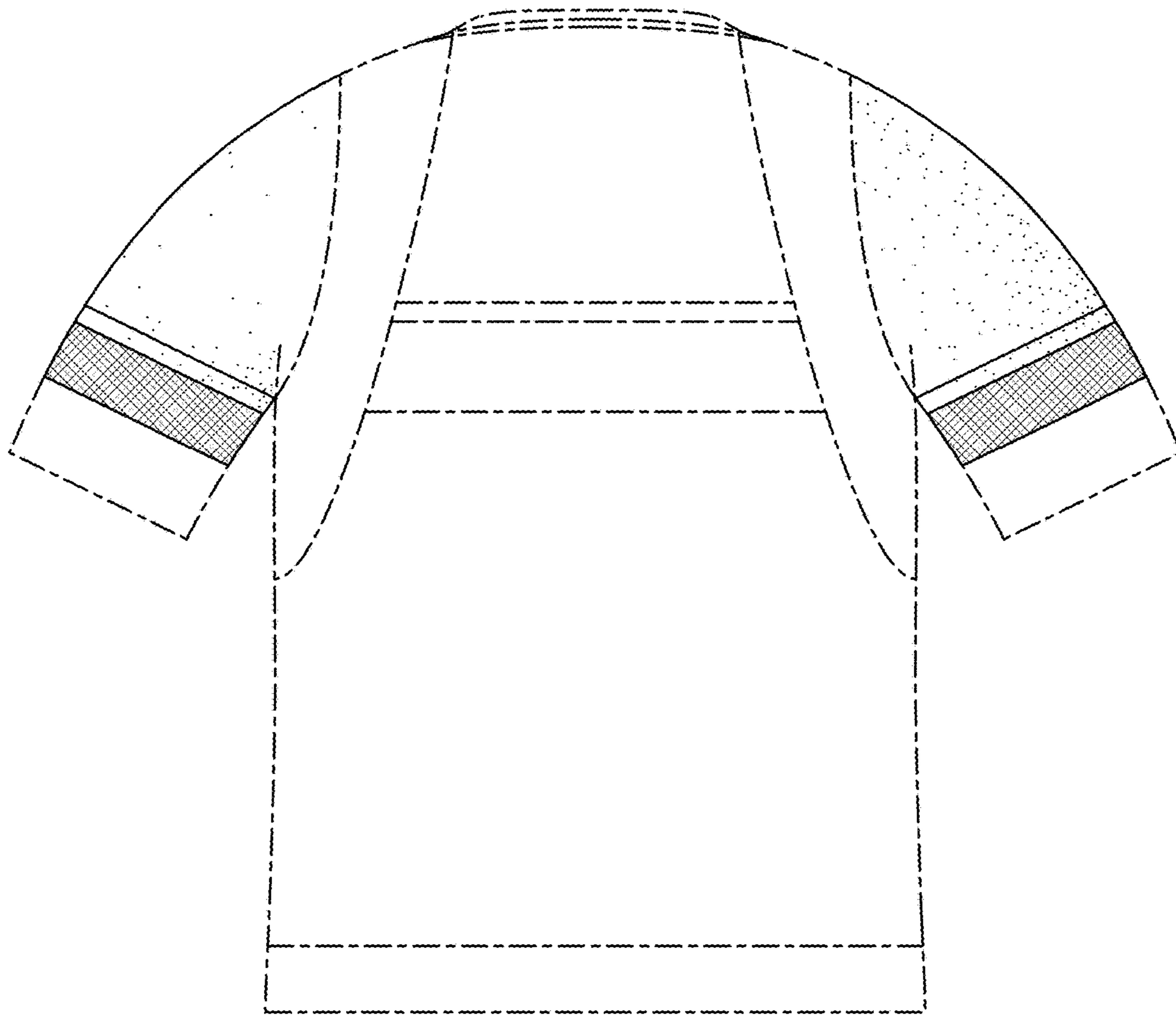


FIG. 3

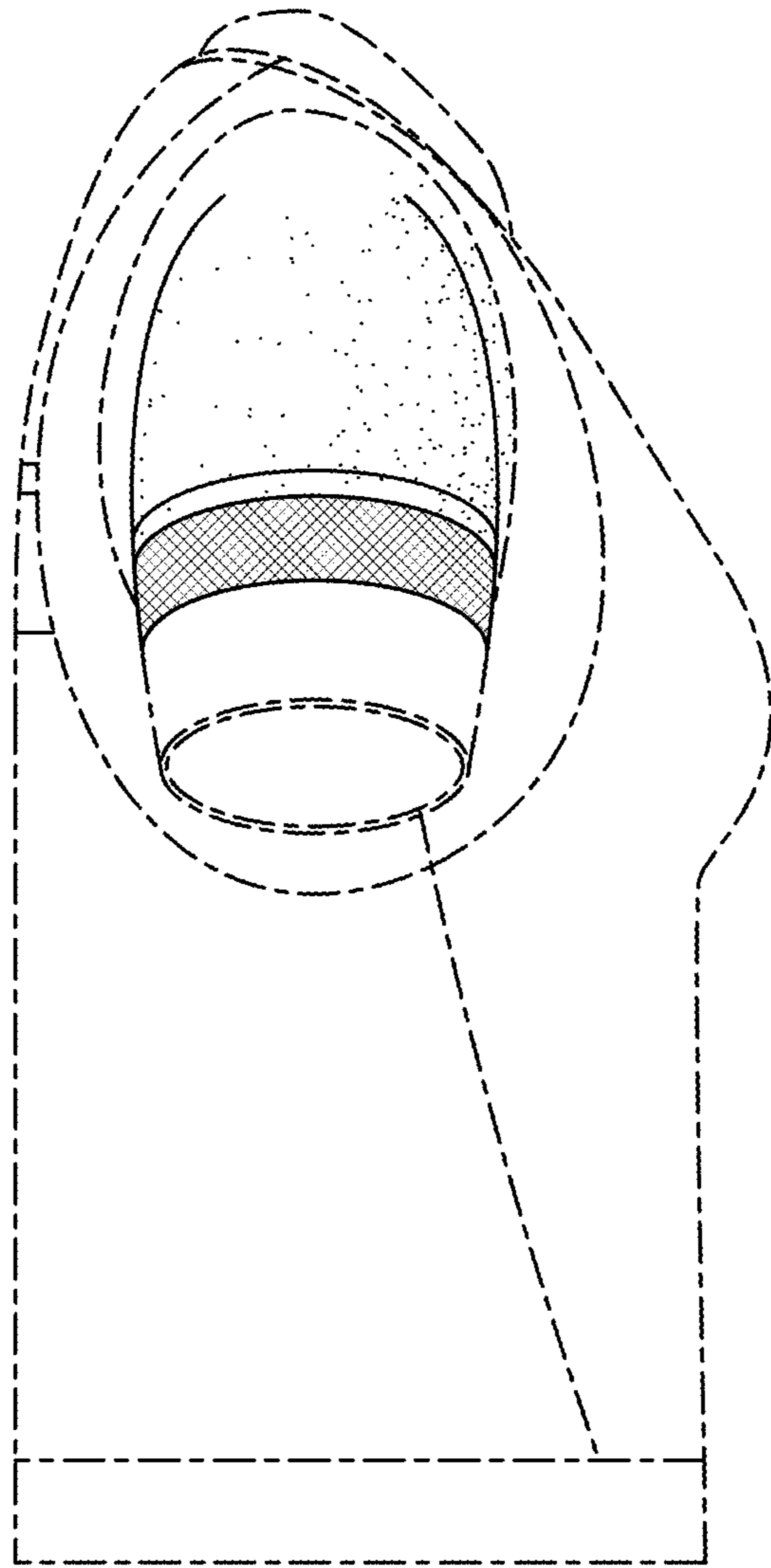


FIG. 4

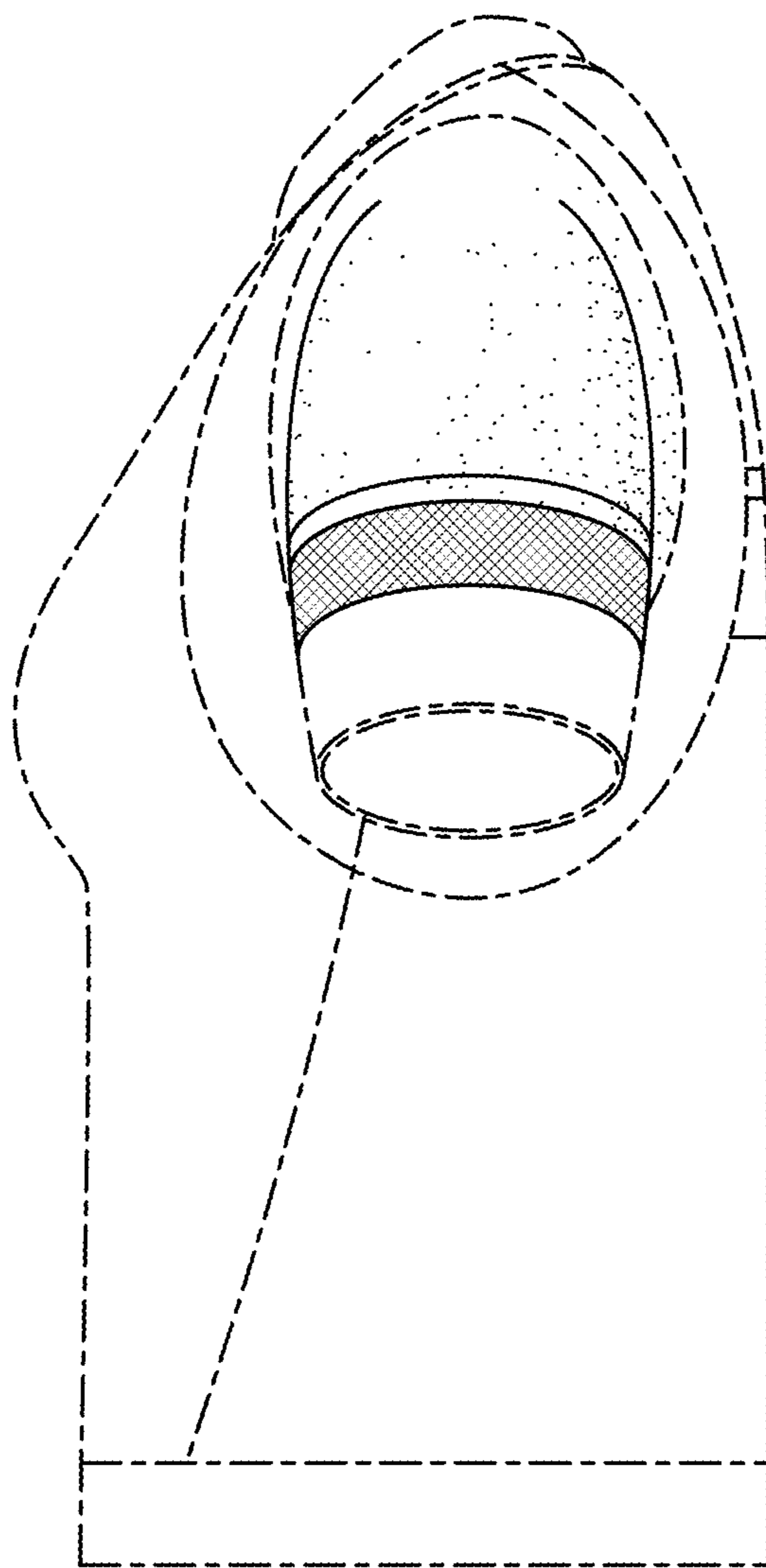


FIG. 5

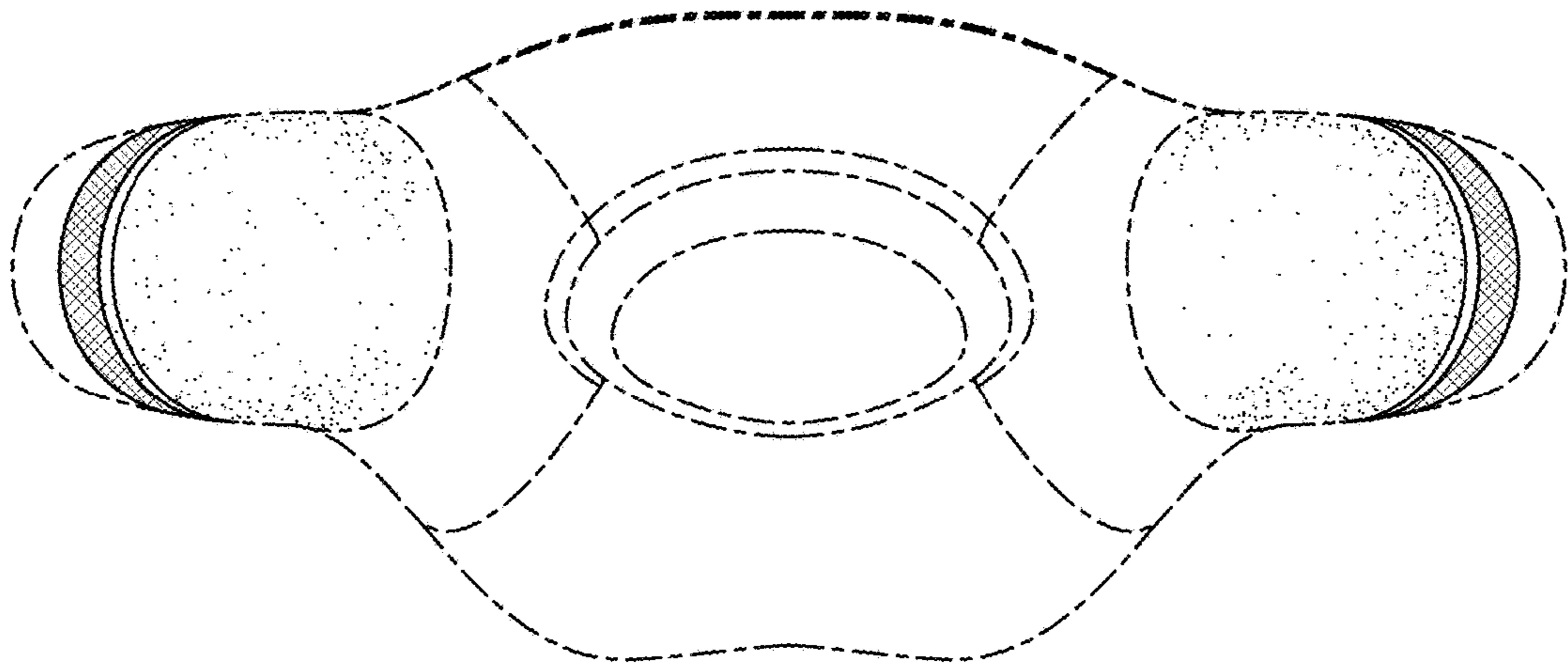


FIG. 6

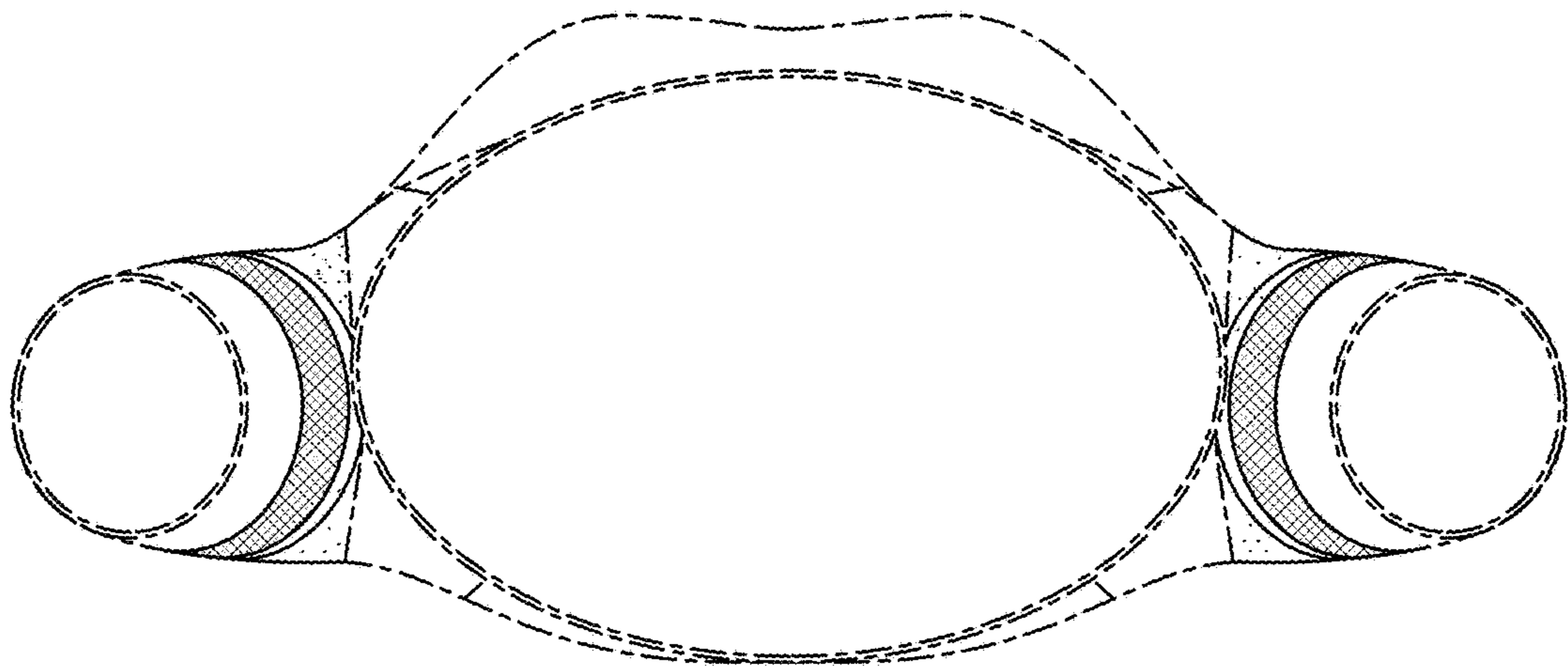


FIG. 7