



US00D783227S

(12) **United States Design Patent**
Ledingham

(10) **Patent No.:** **US D783,227 S**
(45) **Date of Patent:** **** Apr. 11, 2017**

(54) **COMPARTMENTALIZED HAND WARMER**

- (71) Applicant: **John Ledingham**, Carr, CO (US)
- (72) Inventor: **John Ledingham**, Carr, CO (US)
- (**) Term: **15 Years**
- (21) Appl. No.: **29/558,593**
- (22) Filed: **Mar. 18, 2016**
- (51) **LOC (10) Cl.** **02-06**
- (52) **U.S. Cl.**
USPC **D2/610**
- (58) **Field of Classification Search**
USPC D2/610, 611, 613, 614, 622, 629;
D3/218, 219, 221, 222, 224, 226, 227,
D3/228; D11/3, 4, 5, 87; D14/344;
D24/190, 206
CPC A41D 19/00; A41D 19/01; A41D 27/28;
A41D 27/00; A41D 13/08; A41D 27/20;
A41D 13/05; F24J 1/00; A45C 11/00;
A45C 13/30; A45F 5/00
See application file for complete search history.

(56) **References Cited**

U.S. PATENT DOCUMENTS

D300,948 S *	5/1989	Harris	D24/190
5,079,776 A *	1/1992	Crawford	A63B 71/141 2/162
D338,168 S *	8/1993	Ginter	D11/2
D360,467 S *	7/1995	Sydor	D24/190
5,845,826 A *	12/1998	Nguyen	A45C 1/04 224/219
D537,529 S *	2/2007	Brown	D24/190
8,468,612 B1 *	6/2013	Galloway	A41D 23/00 2/207
2005/0205622 A1 *	9/2005	Liu	A45F 5/00 224/217

(Continued)

OTHER PUBLICATIONS

Heat Factory Pop-Top Mittens, posted at Amazon.com, posted on Oct. 25, 2012, [online], [site visited Feb. 2, 2017]. Available from Internet, <URL: <https://www.amazon.com/Heat-Factory-Pop-Top-Mittens-Warmers/dp/B0049HW2YW>>.*

(Continued)

Primary Examiner — Thomas Johannes

Assistant Examiner — Catherine Ho

(74) *Attorney, Agent, or Firm* — Craig R. Miles; CR MILES P.C.

(57) **CLAIM**

I claim the ornamental design for a compartmentalized hand warmer, as shown and described.

DESCRIPTION

FIG. 1 is a top and left side perspective view of the compartmentalized hand warmer, embodying our new design;

FIG. 2 is a bottom and right side perspective view thereof;

FIG. 3 is a top plan view thereof;

FIG. 4 is a bottom plan view thereof;

FIG. 5 is a right side elevation view thereof;

FIG. 6 is a left side elevation view thereof;

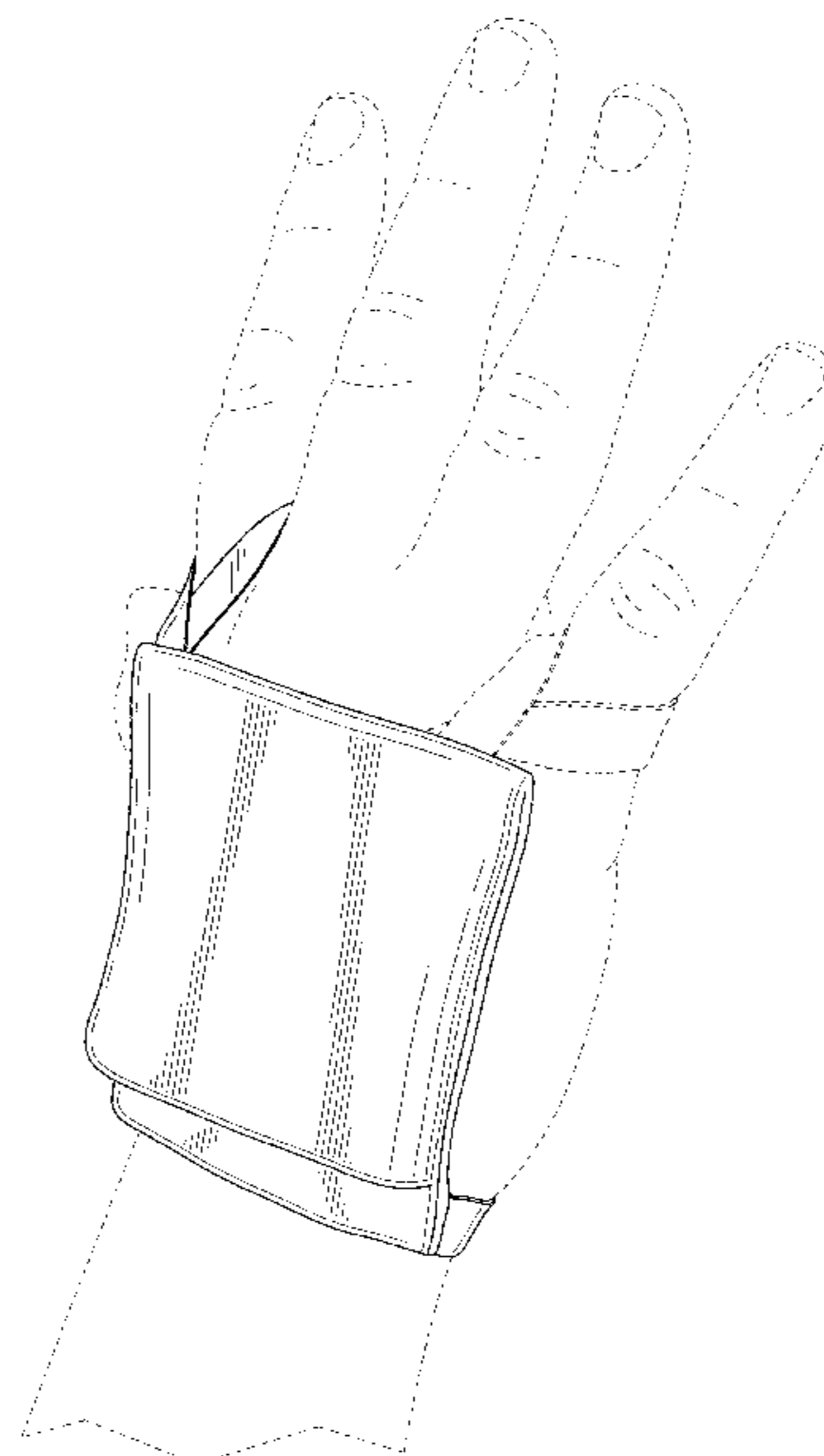
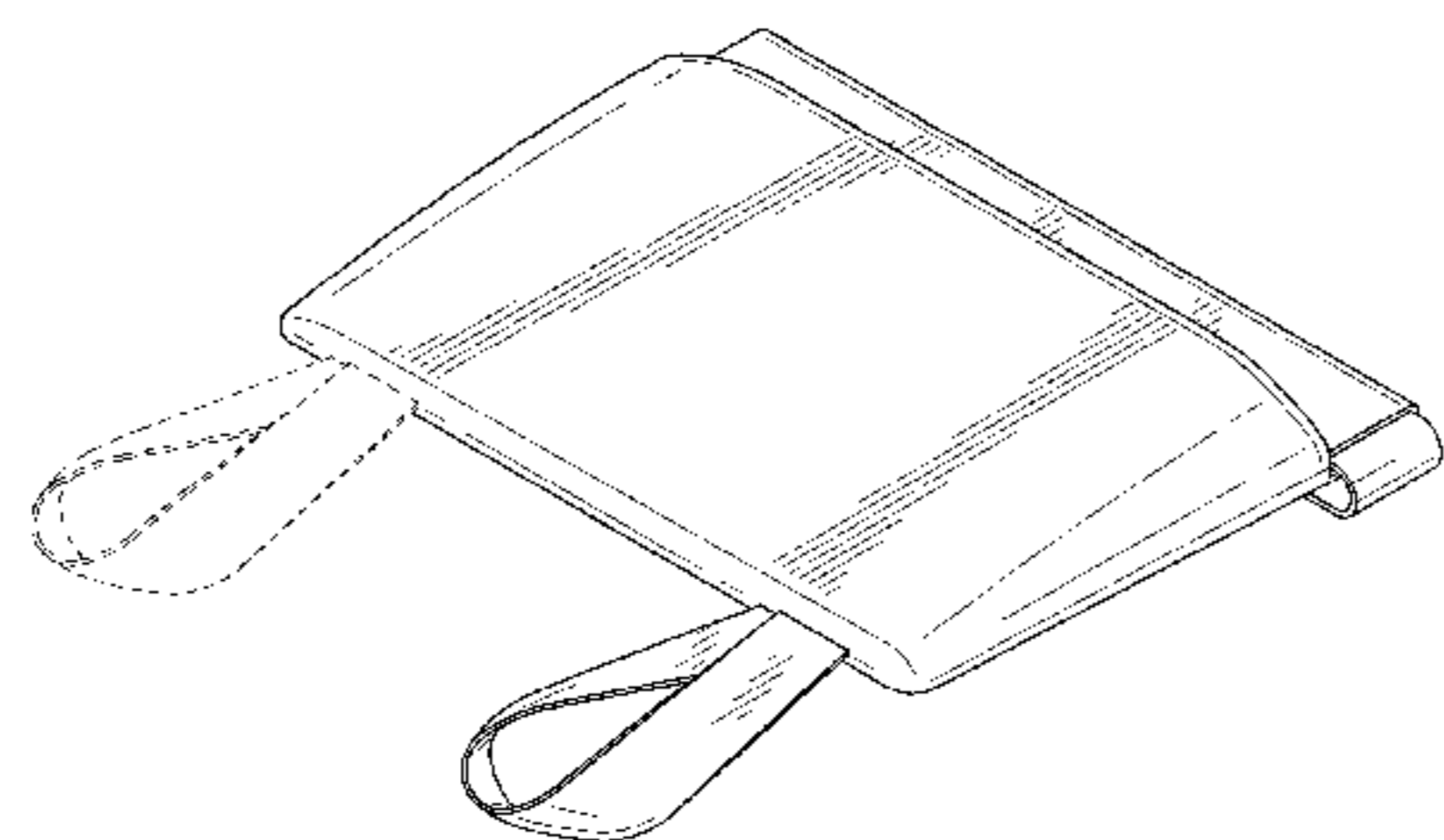
FIG. 7 is a first end view thereof including a heat packet shown in broken line inserted into the compartment of the hand warmer;

FIG. 8 is a second end view thereof; and,

FIG. 9 is a perspective view of the compartmentalized hand warmer in an environment of use.

The broken lines shown are included for the purpose of illustrating the unclaimed portions of the article and form no part of the claim.

1 Claim, 4 Drawing Sheets



(56)

References Cited

U.S. PATENT DOCUMENTS

2008/0271224 A1* 11/2008 Wilbert A41D 19/01523
2/161.1
2012/0267403 A1* 10/2012 Ward, Jr. A45F 5/00
224/219
2015/0173437 A1* 6/2015 Thompson A41D 19/01
2/158

OTHER PUBLICATIONS

Heat Factory Fingerless Fishing Gloves, posted at Amazon.com, posted on Sep. 2, 2012 , [online], [site visited Feb. 1, 2017]. Available from Internet, <URL: <https://www.amazon.com/Heat-Factory-Fingerless-Fishing-Warmers/dp/B000SOTK1S>>.*

Convertible Crochet Mittens With Flip Top, posted at Etsy.com, posted on Apr. 6, 2013 , [online], [site visited Feb. 1, 2017]. Available from Internet, <URL: <https://www.etsy.com/listing/115920920/convertible-crochet-mittens-with-flip?ref=market>>.*

Seirus Innovation Men's Thermalux, posted at Amazon.com, posted on Jan. 7, 2012 , [online], [site visited Feb. 1, 2017]. Available from Internet, <URL: <https://www.amazon.com/Seirus-Innovation-Thermalux-Pocket-Liner/dp/B0018BGF90>>.*

* cited by examiner

FIG. 1

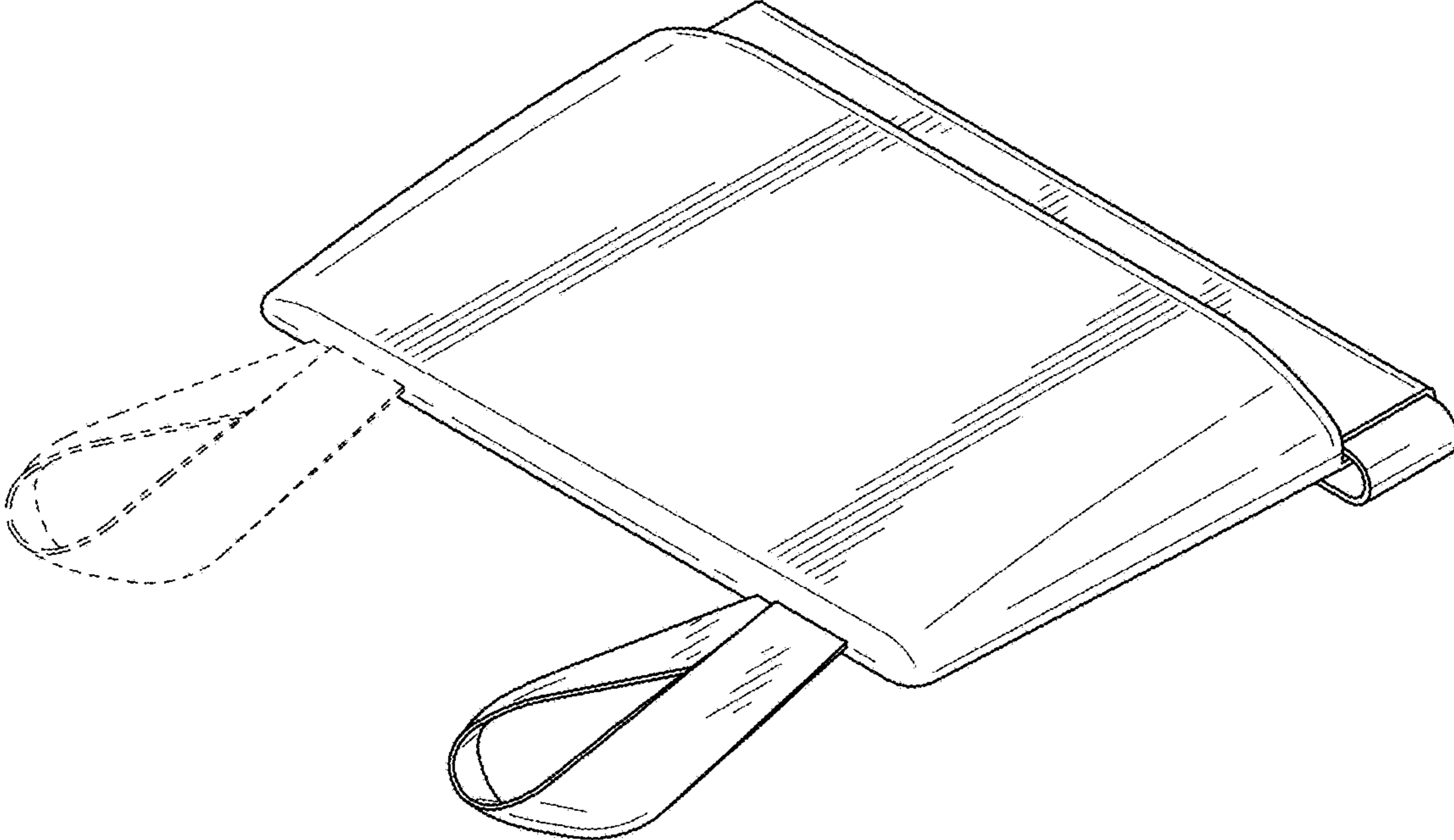


FIG. 2

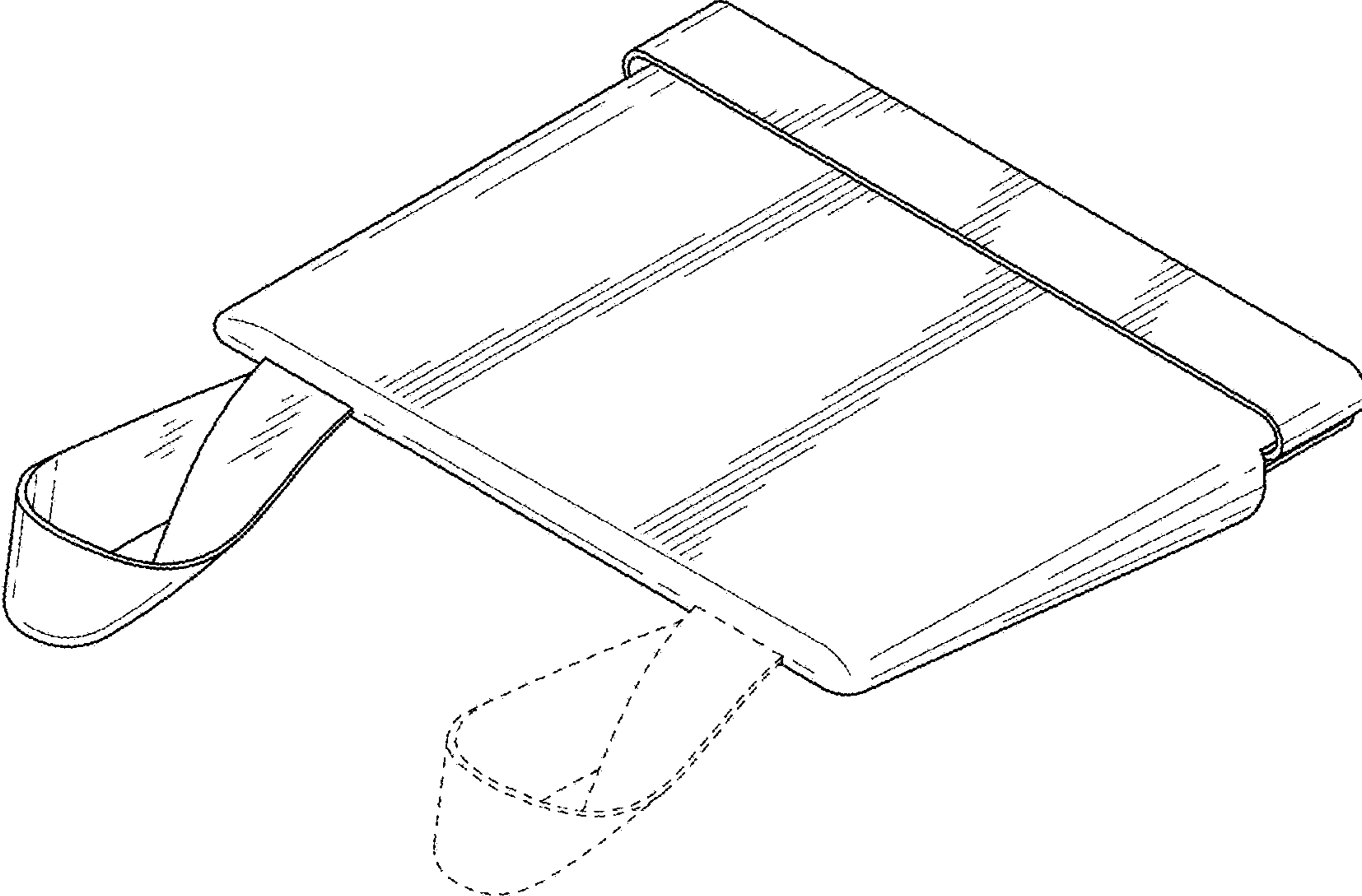


FIG. 3

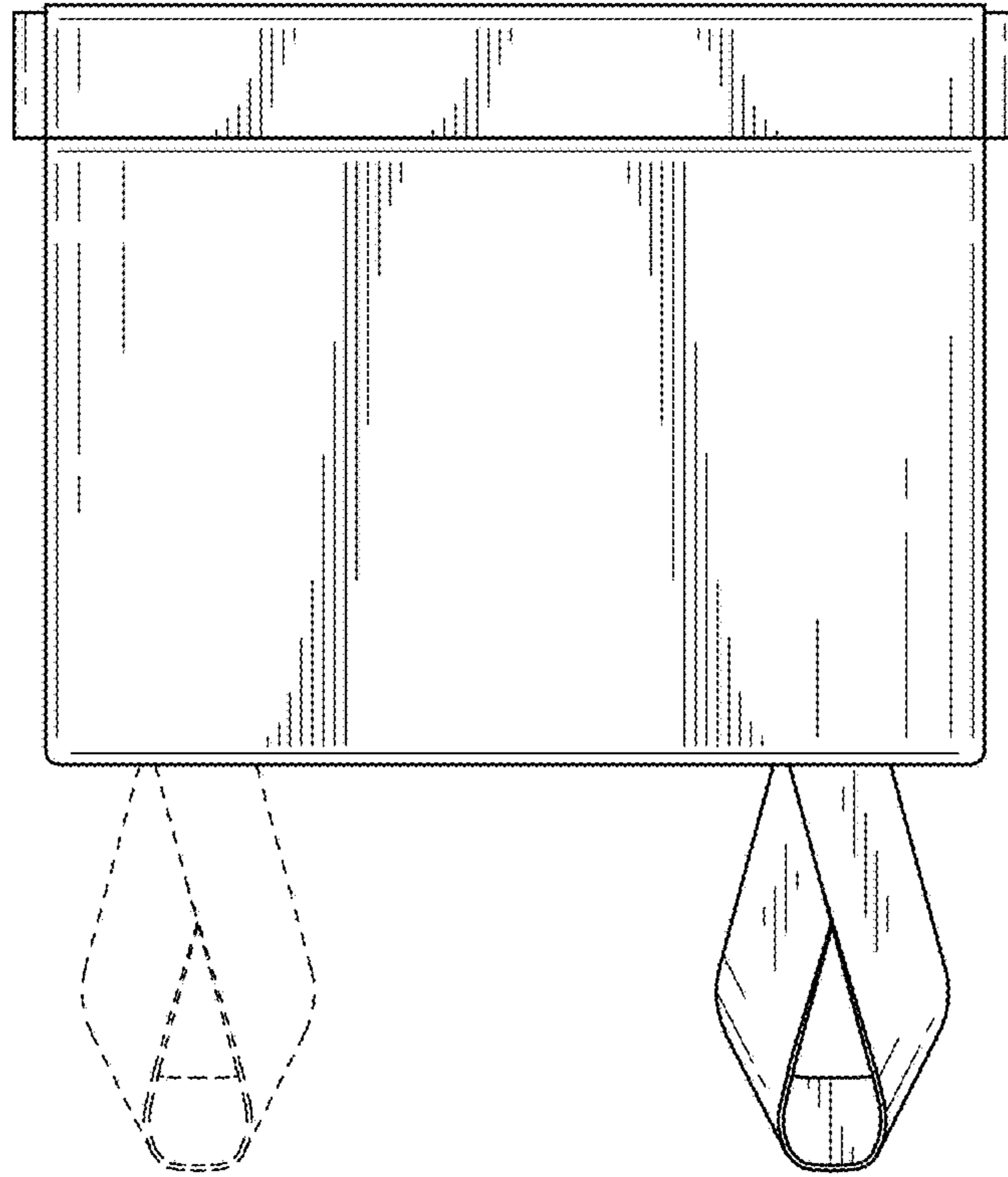


FIG. 4

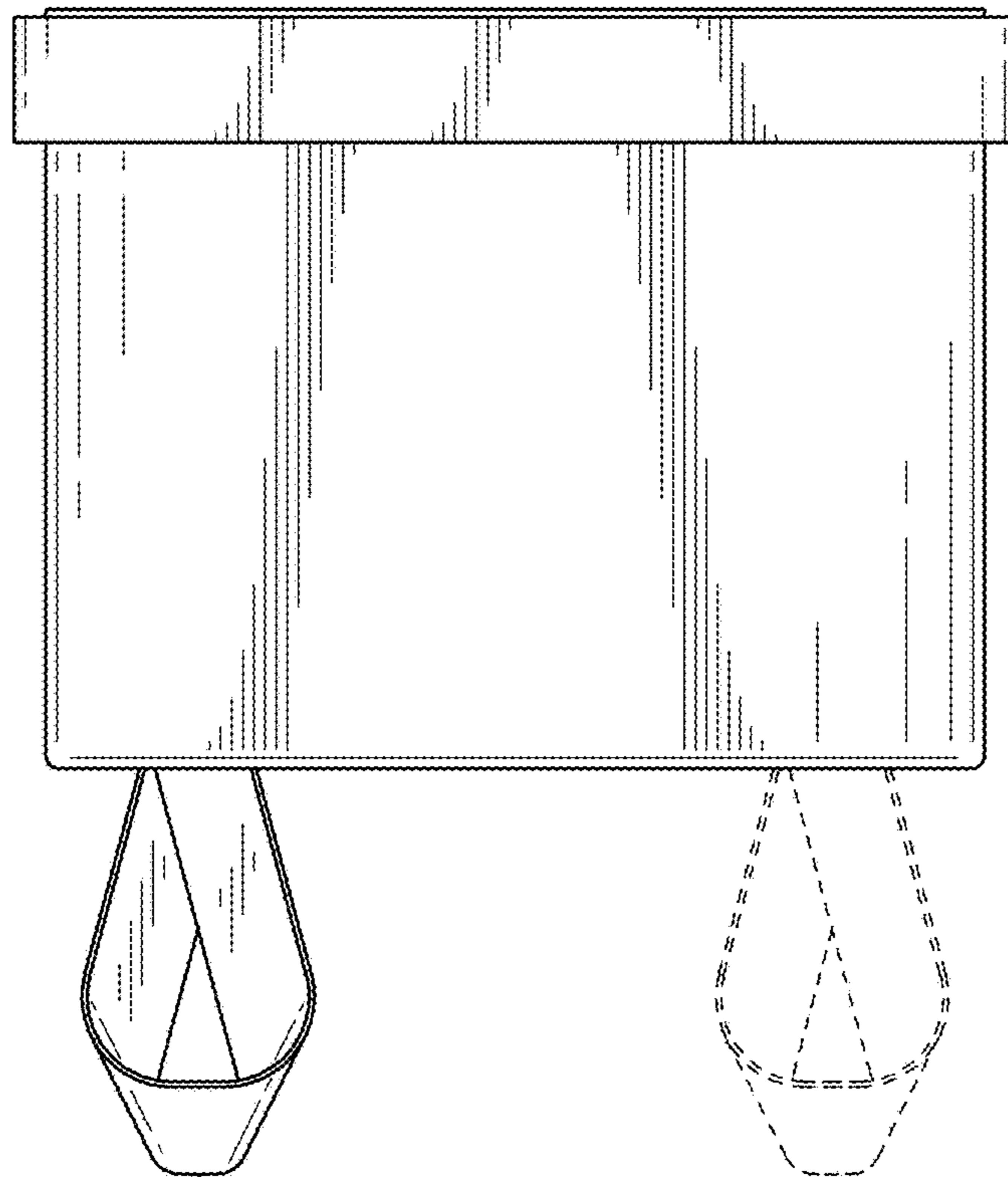


FIG. 5

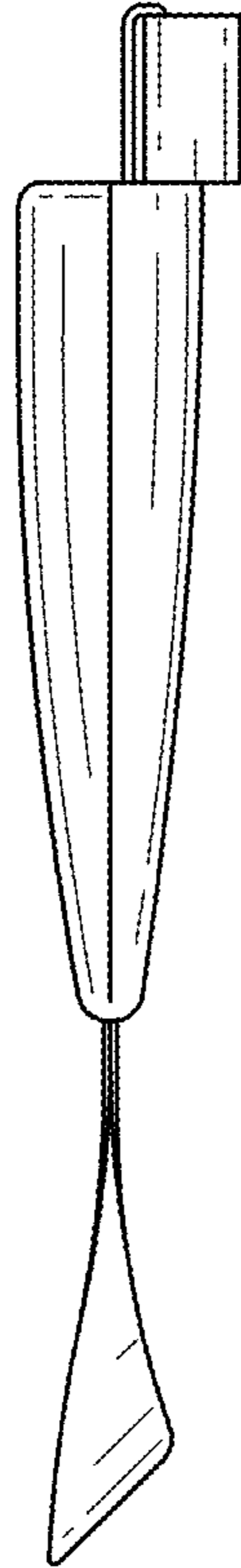


FIG. 6

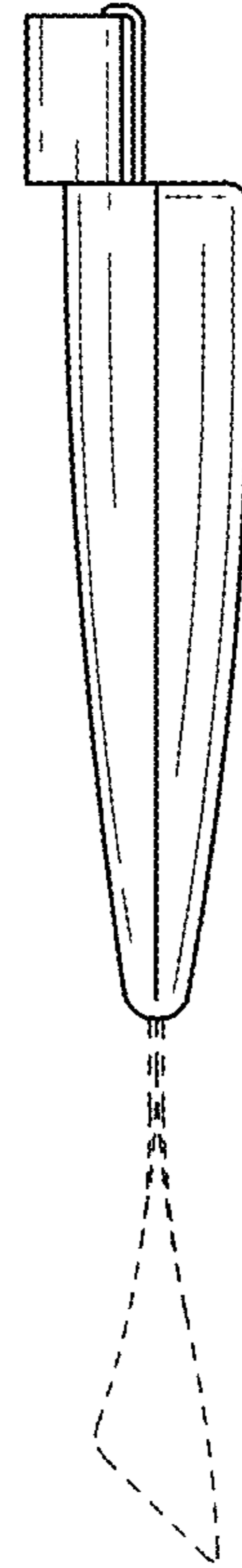


FIG. 7

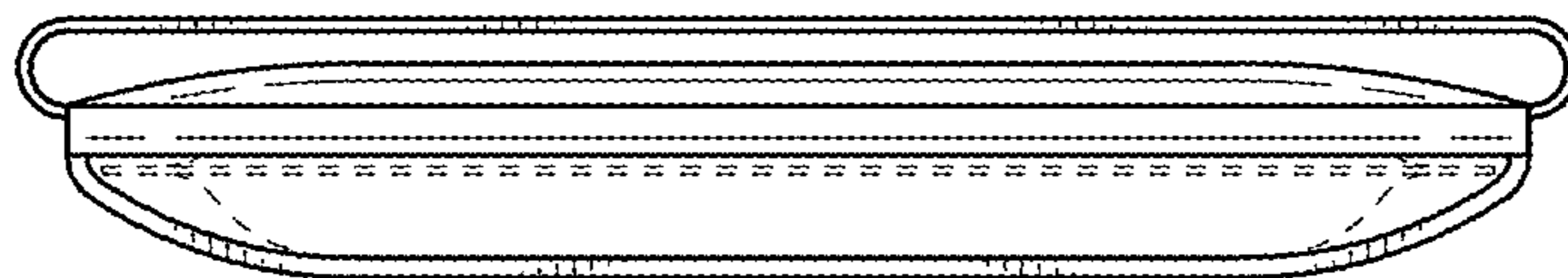


FIG. 8

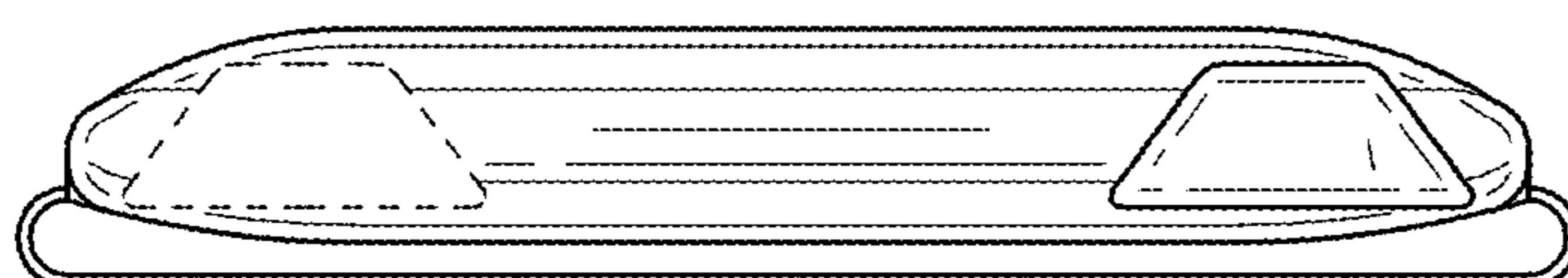


FIG. 9

