



US00D783226S

(12) **United States Design Patent**
Mecrin et al.

(10) **Patent No.: US D783,226 S**

(45) **Date of Patent: ** *Apr. 11, 2017**

(54) **CONFECTIONARY**

(71) Applicant: **INTERCONTINENTAL GREAT BRANDS LLC**, East Hanover, NJ (US)

(72) Inventors: **Eric Mecrin**, Saint Benoit (FR);
Colleen Kramer, Denville, NJ (US)

(73) Assignee: **INTERCONTINENTAL GREAT BRANDS LLC**, East Hanover, NJ (US)

(*) Notice: This patent is subject to a terminal disclaimer.

(**) Term: **14 Years**

(21) Appl. No.: **29/459,576**

(22) Filed: **Jul. 1, 2013**

Related U.S. Application Data

(62) Division of application No. 29/399,683, filed on Aug. 17, 2011, now Pat. No. Des. 686,388.

(51) **LOC (10) Cl.** **01-01**

(52) **U.S. Cl.**
USPC **D1/127**

(58) **Field of Classification Search**

USPC D1/100-199; D24/101, 102; 426/3, 5, 426/87, 89, 92, 103, 104, 129, 138, 144, 426/249, 660, 383, 512, 516, 808; 424/467; D25/113, 119, 121-132; D21/499; D5/55-58, 62

See application file for complete search history.

(56) **References Cited**

U.S. PATENT DOCUMENTS

692,323 A 2/1902 Marine
1,771,981 A 7/1930 Mustin
1,771,982 A 7/1930 Mustin
1,855,145 A 4/1932 Jones

(Continued)

Primary Examiner — Barbara Fox

(74) *Attorney, Agent, or Firm* — Cantor Colburn LLP

(57) **CLAIM**

We claim, the ornamental design for a confectionary, as shown and described.

DESCRIPTION

FIG. 1 is a perspective view of a confectionary showing our new design in a first embodiment;

FIG. 2 is a side elevation view of the embodiment shown in FIG. 1, the opposite side view being a mirror image thereof;

FIG. 3 is a top plan view of the embodiment shown in FIG. 1;

FIG. 4 is a bottom plan view of the embodiment shown in FIG. 1;

FIG. 5 is a front elevation view of the embodiment shown in FIG. 1 the back view being a mirror image thereof;

FIG. 6 is a perspective view of a confectionary showing our new design in a second embodiment;

FIG. 7 is a side elevation view of the embodiment shown in FIG. 6, the opposite side view being a mirror image thereof;

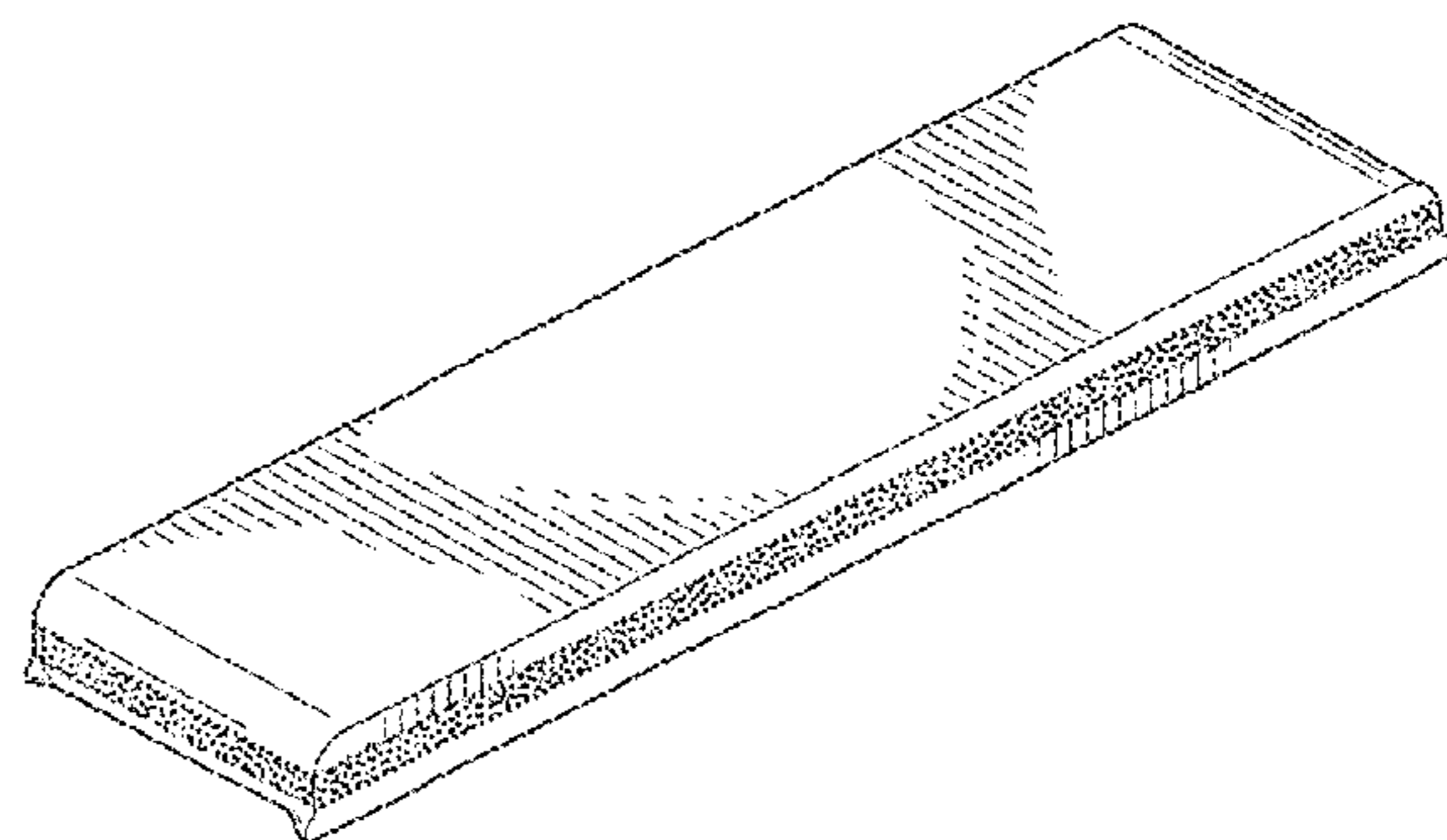
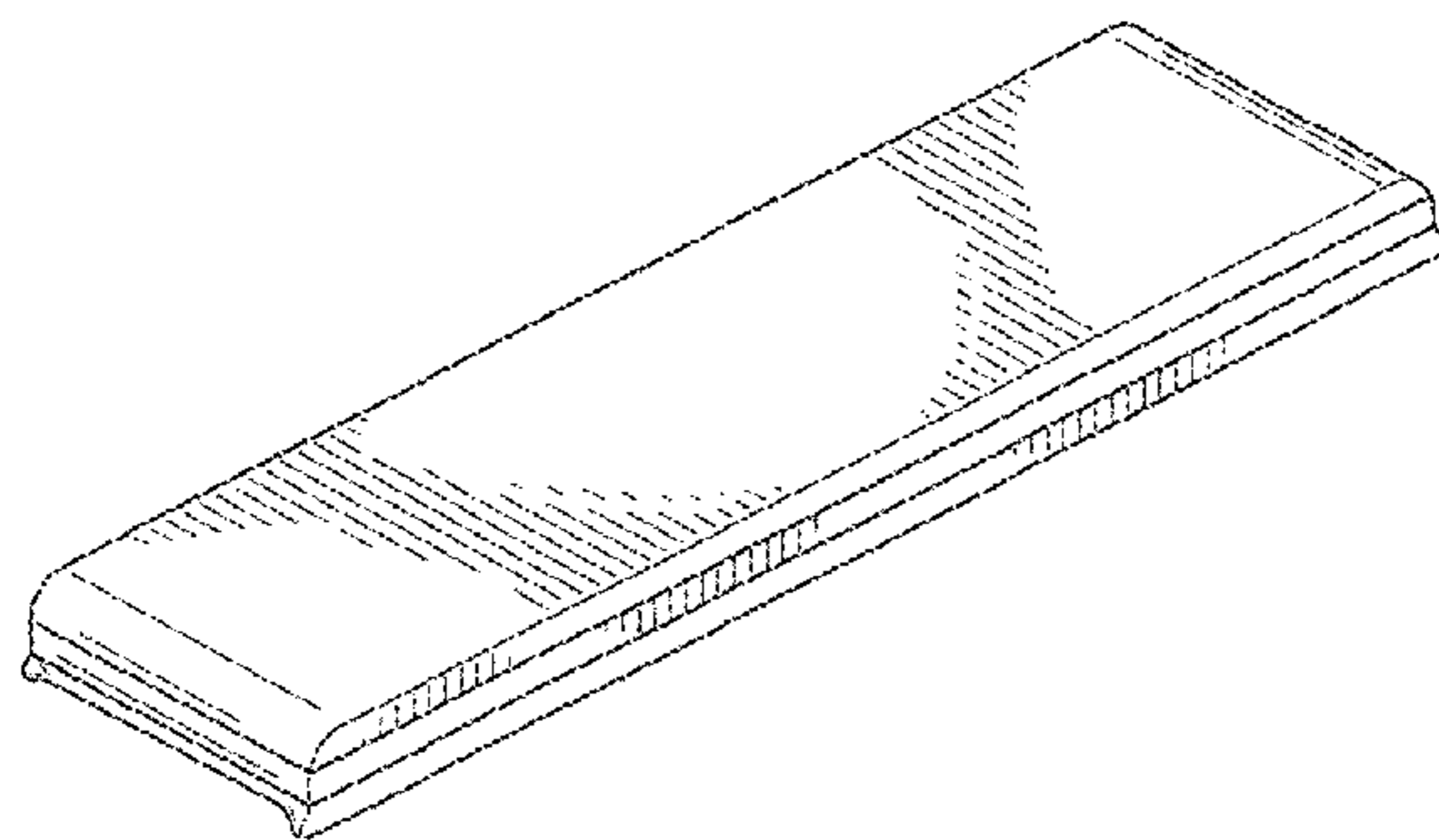
FIG. 8 is a top plan view of the embodiment shown in FIG. 6;

FIG. 9 is a bottom plan view of the embodiment shown in FIG. 6; and,

FIG. 10 is a front elevation view of the embodiment shown in FIG. 6 the back view being a mirror image thereof.

The stippling shown in FIGS. 6-10 represents a contrast in appearance.

1 Claim, 2 Drawing Sheets



(56)

References Cited

U.S. PATENT DOCUMENTS

1,886,763 A 11/1932 Trettin
 2,039,398 A 5/1936 Dye
 2,060,490 A 11/1936 Borbely
 2,213,687 A 9/1940 Brassert
 2,613,185 A 10/1952 Marshall
 2,685,517 A 8/1954 Dunmire
 3,549,389 A 12/1970 Peterson
 4,083,155 A 4/1978 Lampert
 4,260,635 A 4/1981 Fisher
 D271,439 S 11/1983 Schumacher
 D271,534 S 11/1983 Huzinec
 4,751,096 A 6/1988 Nada et al.
 4,781,929 A 11/1988 Hoashi
 4,822,622 A 4/1989 Dokuzovic et al.
 4,889,729 A 12/1989 Aujourd'hui
 5,091,198 A 2/1992 Hoashi
 5,712,030 A 1/1998 Goto et al.
 5,834,044 A 11/1998 Schmitz et al.
 5,928,692 A 7/1999 Mayfield
 D426,935 S 6/2000 Zaug et al.
 D431,342 S 10/2000 Wright et al.
 D433,083 S 10/2000 Griffith
 D439,392 S 3/2001 Kauffman et al.
 D462,458 S 9/2002 Hughes et al.
 6,562,382 B1 5/2003 Corriveau et al.
 D485,963 S 2/2004 Norton
 D500,908 S 1/2005 Hare et al.
 7,172,783 B2 2/2007 Murray et al.
 D605,828 S 12/2009 Brown et al.
 D616,177 S 5/2010 Brown et al.

D617,079 S 6/2010 Brown et al.
 D641,947 S 7/2011 Bruyeya et al.
 D641,950 S 7/2011 Bruyeya et al.
 D641,953 S 7/2011 Bruyeya et al.
 D644,001 S 8/2011 Bruyeya et al.
 D647,276 S 10/2011 Bruyeya et al.
 D655,067 S 3/2012 Bruyeya et al.
 D655,068 S 3/2012 Bruyeya et al.
 9,169,054 B2 * 10/2015 Willey B32B 3/266
 9,185,924 B2 * 11/2015 Elejalde A23G 3/42
 9,220,284 B2 * 12/2015 Elejalde A23G 3/42
 9,247,761 B2 * 2/2016 Campomanes
 Marin A23G 3/38
 2004/0247746 A1 12/2004 Pearce et al.
 2006/0204451 A1 9/2006 Salini
 2007/0014889 A1 1/2007 McHale et al.
 2007/0231427 A1 10/2007 Ream
 2009/0028998 A1 1/2009 Elejalde et al.
 2009/0053390 A1 2/2009 Sakou et al.
 2009/0148568 A1 6/2009 Kawamura et al.
 2009/0214720 A1 8/2009 Almenares et al.
 2011/0189376 A1 8/2011 Elejalde et al.
 2012/0034346 A1 2/2012 Morgan
 2014/0205715 A1 * 7/2014 Elejalde A23G 4/10
 426/5
 2014/0284244 A1 * 9/2014 Blyth B65D 71/063
 206/525
 2015/0264958 A1 * 9/2015 Kabse A23G 4/10
 426/5
 2016/0015043 A1 * 1/2016 Mihalos A21C 15/002
 426/303

* cited by examiner

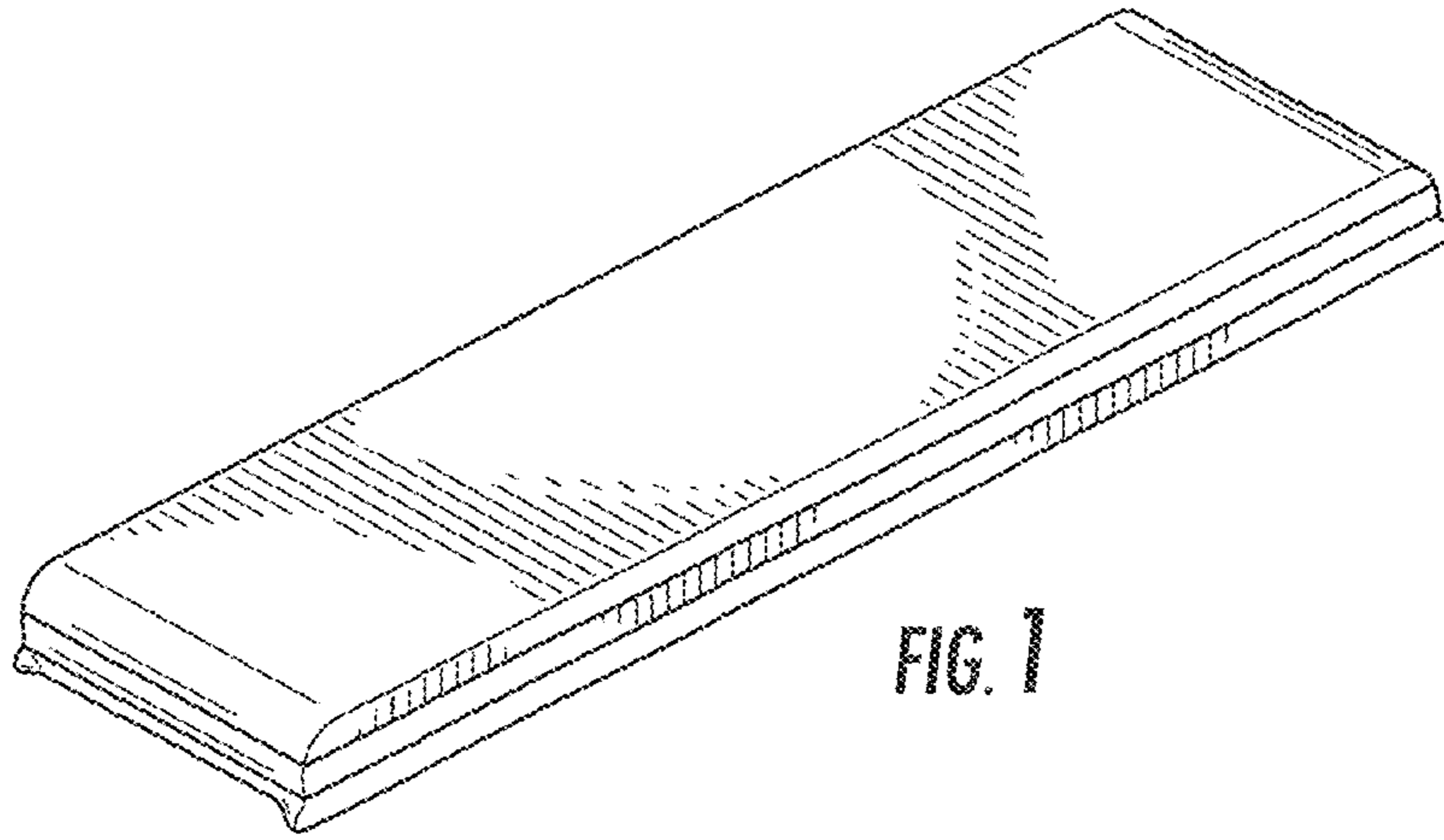


FIG. 1

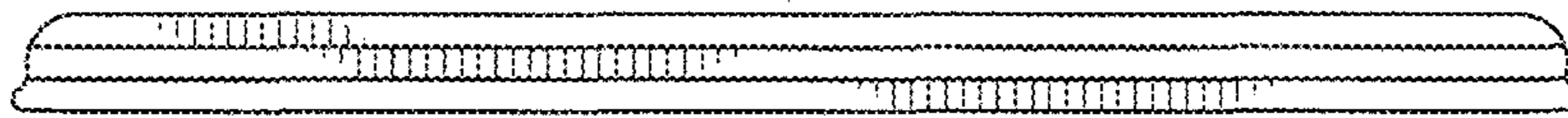


FIG. 2

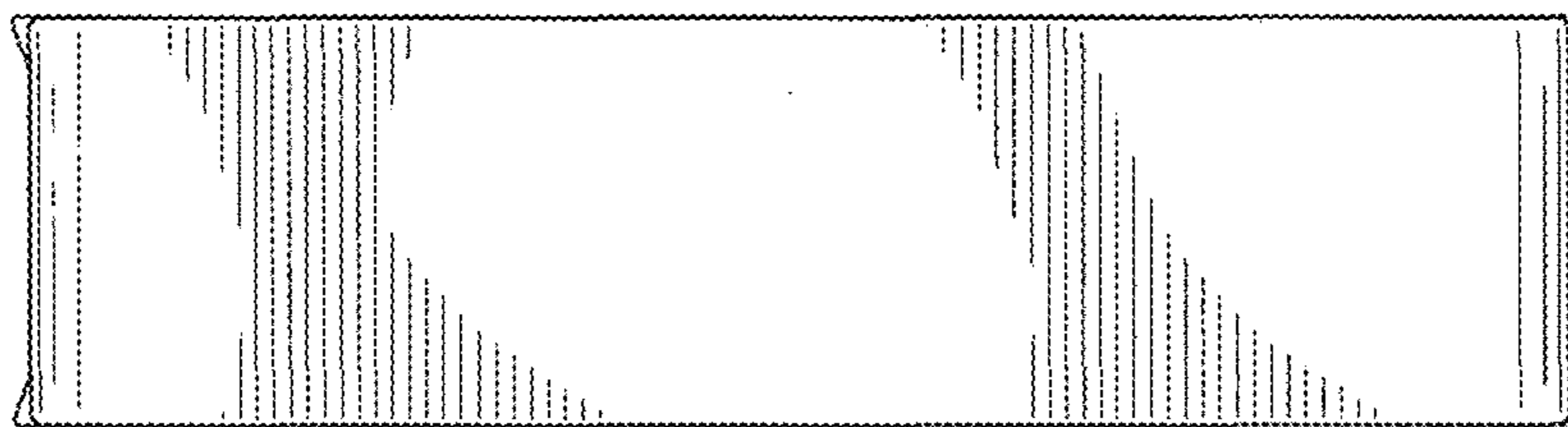


FIG. 3

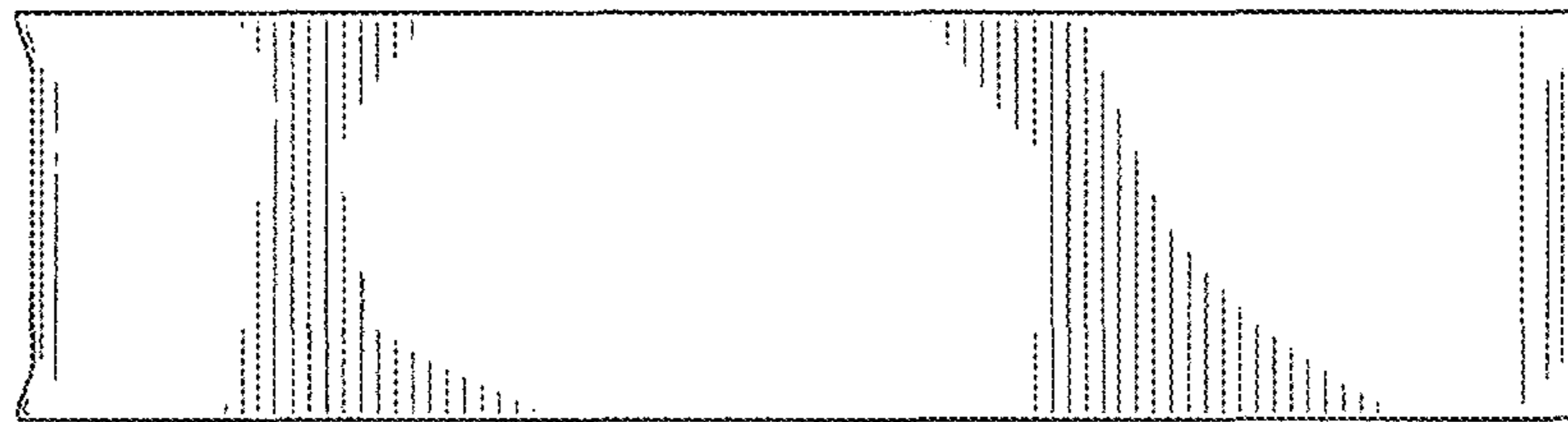


FIG. 4

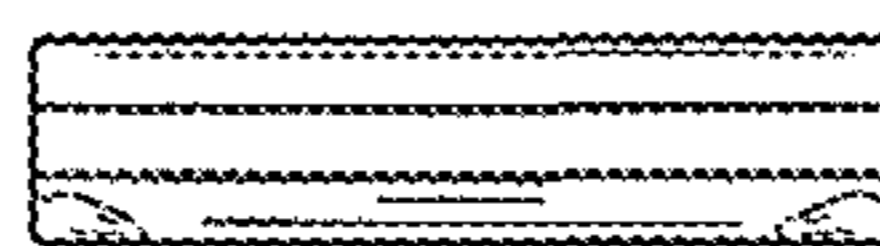


FIG. 5

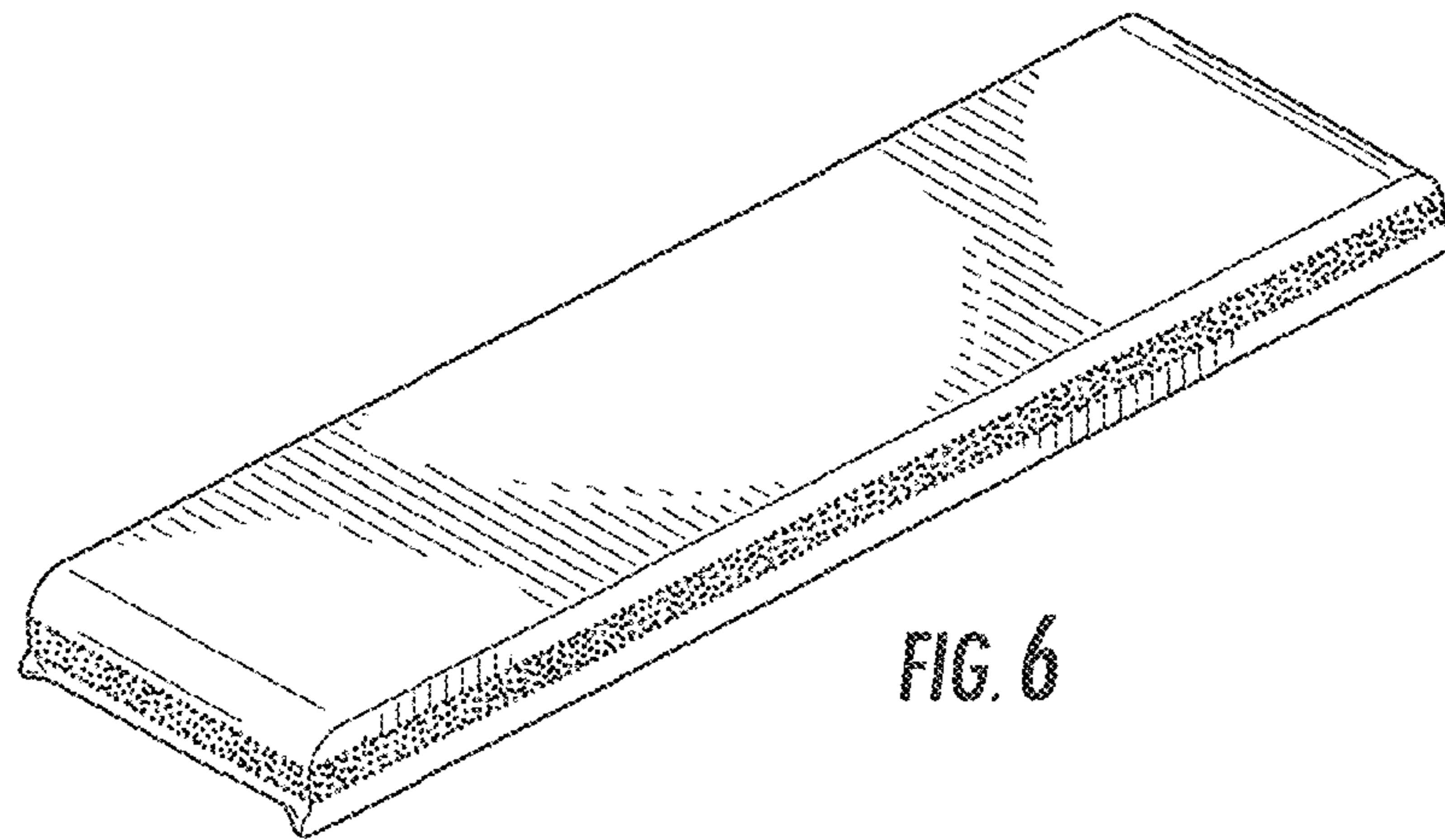


FIG. 6

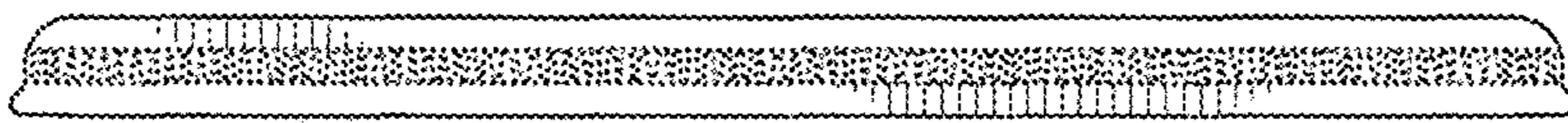


FIG. 7

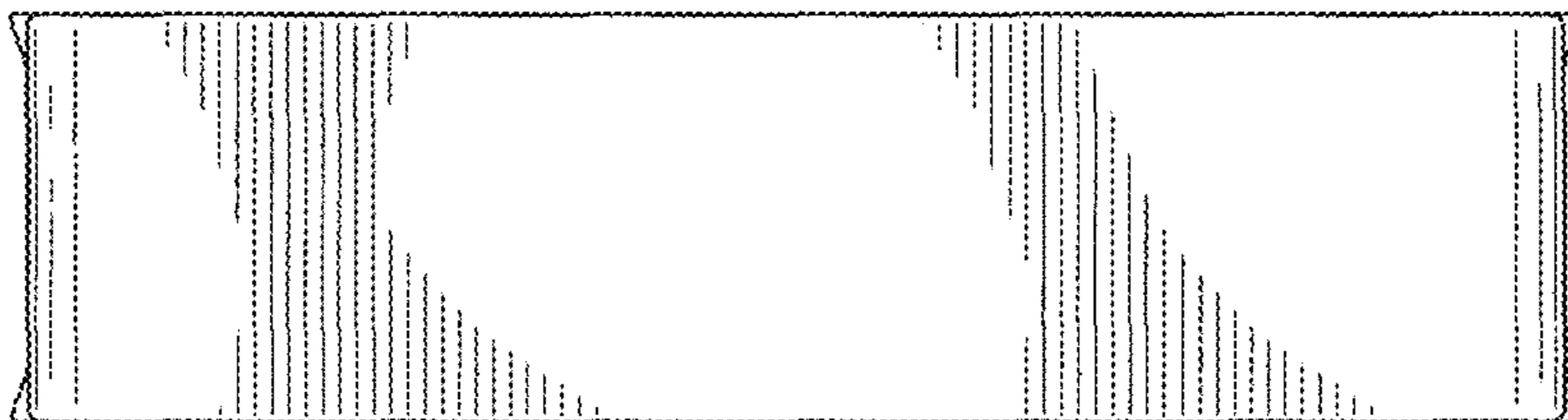


FIG. 8

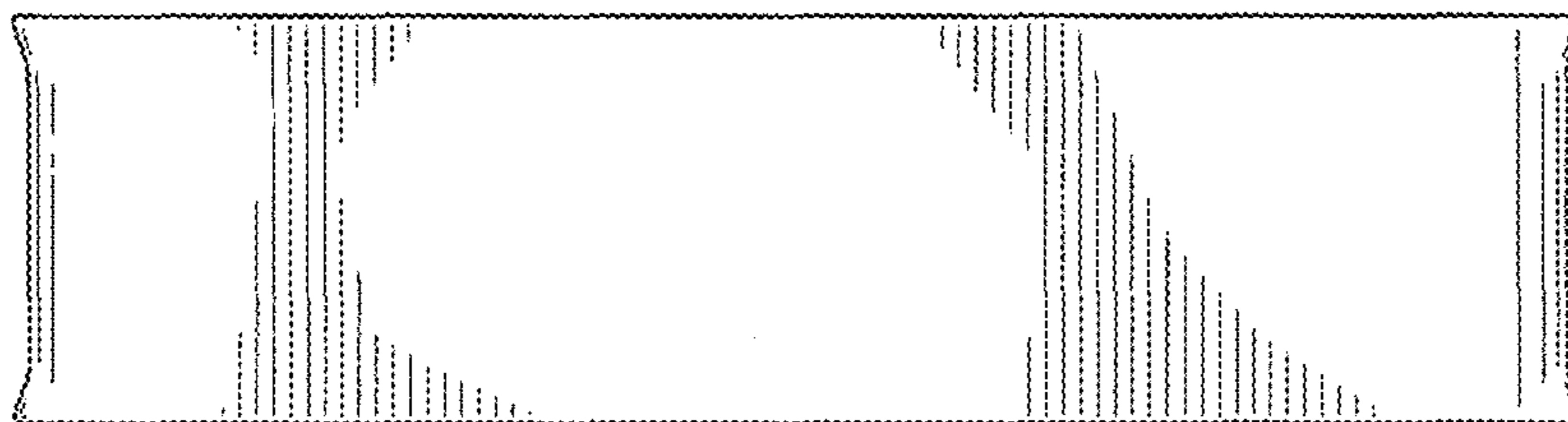


FIG. 9

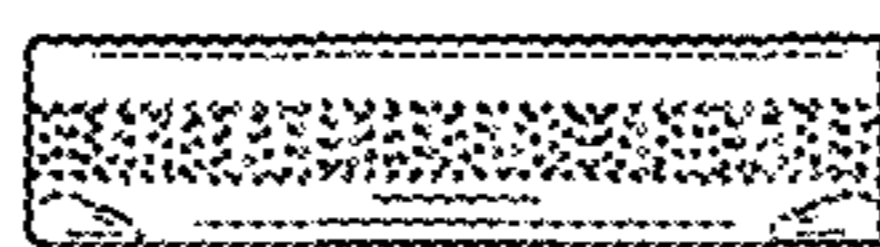


FIG. 10