



US00D783222S

(12) **United States Design Patent** (10) **Patent No.:** **US D783,222 S**
Peterson et al. (45) **Date of Patent:** **** Apr. 4, 2017**

(54) **CONVEYOR BELT SCRAPER BLADE BASE MEMBER**

(71) Applicant: **Martin Engineering Company,**
Neponset, IL (US)

(72) Inventors: **Edwin H. Peterson,** Neponset, IL (US);
Paul B. Harrison, Neponset, IL (US);
Rudolf Beer, Mpumalanga (ZA)

(73) Assignee: **Martin Engineering Company,**
Neponset, IL (US)

(**) Term: **15 Years**

(21) Appl. No.: **29/534,049**

(22) Filed: **Jul. 24, 2015**

(51) **LOC (10) Cl.** **12-05**

(52) **U.S. Cl.**
USPC **D34/35**

(58) **Field of Classification Search**
USPC D34/35, 29; 198/499, 798, 497; D7/688;
D32/46, 41
CPC B65G 45/12; B65G 45/14; B65G 45/16
See application file for complete search history.

(56) **References Cited**

U.S. PATENT DOCUMENTS

D271,423 S	11/1983	Sundeby et al.
4,811,833 A	3/1989	Slikker
4,984,326 A	1/1991	Horie et al.
D347,918 S	6/1994	Gibbs
D357,563 S	4/1995	Vosbikian
5,438,400 A	8/1995	Kuribayashi et al.
D369,886 S	5/1996	McCollum
D371,610 S	7/1996	Hsiao
D371,611 S	7/1996	Hsiao
D371,612 S	7/1996	Hsiao

5,797,587 A	8/1998	Schumacher	
5,802,662 A	9/1998	Veazie, III	
5,887,702 A	3/1999	Mott	
6,056,112 A	5/2000	Wiggins	
6,401,911 B1	6/2002	Swinderman	
6,439,373 B1	8/2002	Swinderman	
6,457,575 B2	10/2002	Swinderman	
7,007,794 B2	3/2006	Waters et al.	
D632,045 S	2/2011	Kotze	
D645,632 S *	9/2011	Henry	D34/29
D650,143 S *	12/2011	Bhosale	D34/29
8,123,022 B2 *	2/2012	Mott	B65G 45/12
			198/497
8,245,836 B2 *	8/2012	Kotze	B65G 45/16
			198/499

(Continued)

Primary Examiner — Cynthia Ramirez

Assistant Examiner — Gino Colan

(74) *Attorney, Agent, or Firm* — Thompson Coburn LLP;
Clyde L. Smith

(57) **CLAIM**

The ornamental design for a conveyor belt scraper blade base member.

DESCRIPTION

FIG. 1 is a perspective view of the design for a conveyor belt scraper blade base member, showing the front, top and right sides thereof.

FIG. 2 is a left side view of the design, the right side view being a mirror image thereof.

FIG. 3 is a top view of the design.

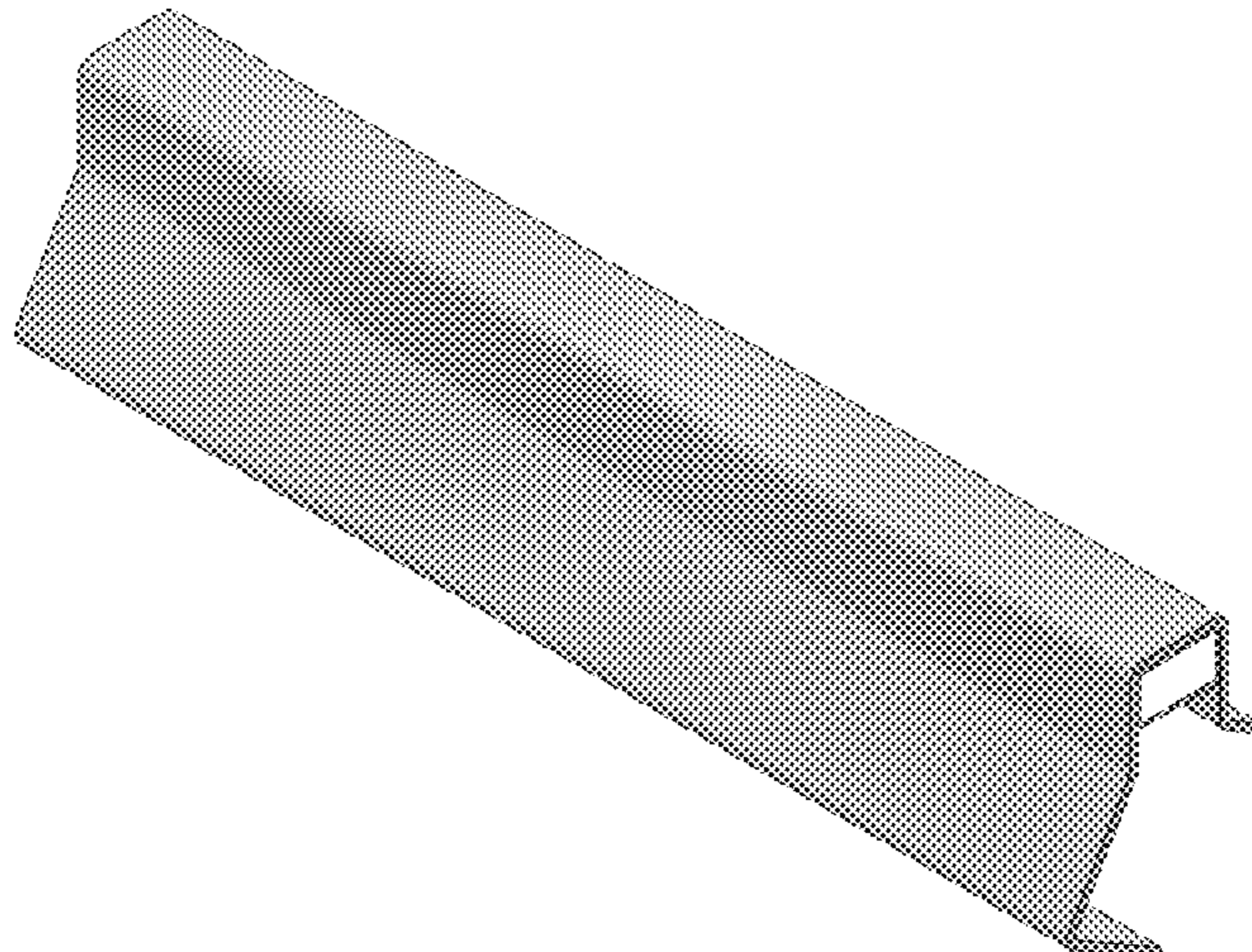
FIG. 4 is a front view of the design.

FIG. 5 is a bottom view of the design; and,

FIG. 6 is a rear view of the design.

The broken lines in the drawings are included for the purpose of illustrating portions of the conveyor belt scraper blade base member and form no part of the claimed design.

1 Claim, 3 Drawing Sheets



(56)

References Cited

U.S. PATENT DOCUMENTS

8,573,384 B2 * 11/2013 Swinderman B65G 45/12
198/497
D702,013 S 4/2014 Childs et al.
D702,014 S 4/2014 Childs et al.
D710,564 S 8/2014 Yang
8,881,889 B2 * 11/2014 Puchalla B65G 45/12
198/499
D739,635 S * 9/2015 Peterson D34/29
D740,514 S * 10/2015 Peterson D34/29
D748,885 S * 2/2016 Peterson D34/29
D756,060 S * 5/2016 DeVries D34/29
2003/0066737 A1 4/2003 Malmberg
2003/0230466 A1 12/2003 Swinderman et al.
2004/0188224 A1 9/2004 Kolodziej et al.
2007/0089968 A1 4/2007 Swinderman
2011/0067197 A1 * 3/2011 Mott B65G 45/12
15/236.01
2013/0206546 A1 * 8/2013 Puchalla B65G 45/12
198/499
2015/0274434 A1 * 10/2015 DeVries B65G 45/12
198/497

* cited by examiner

FIG. 1

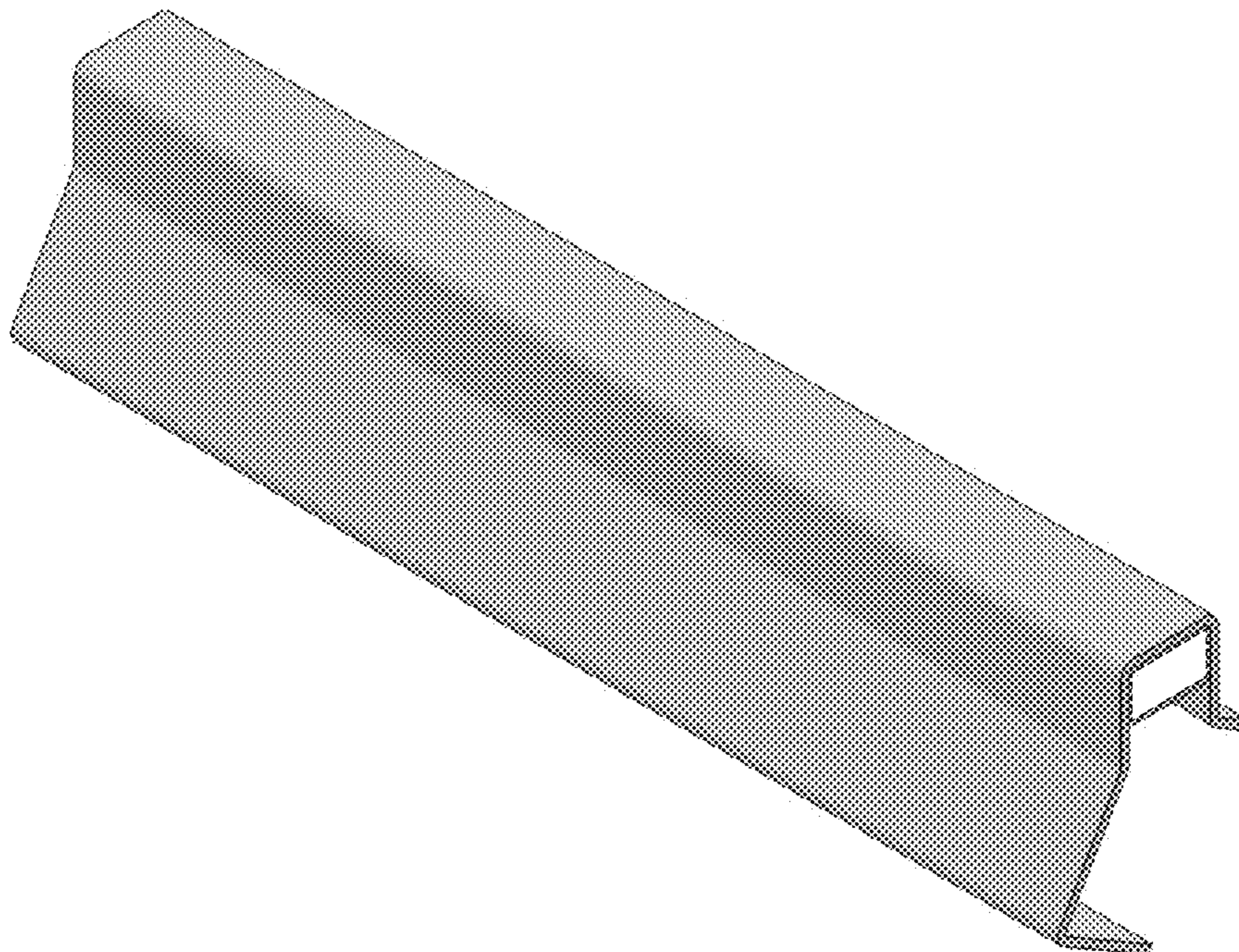
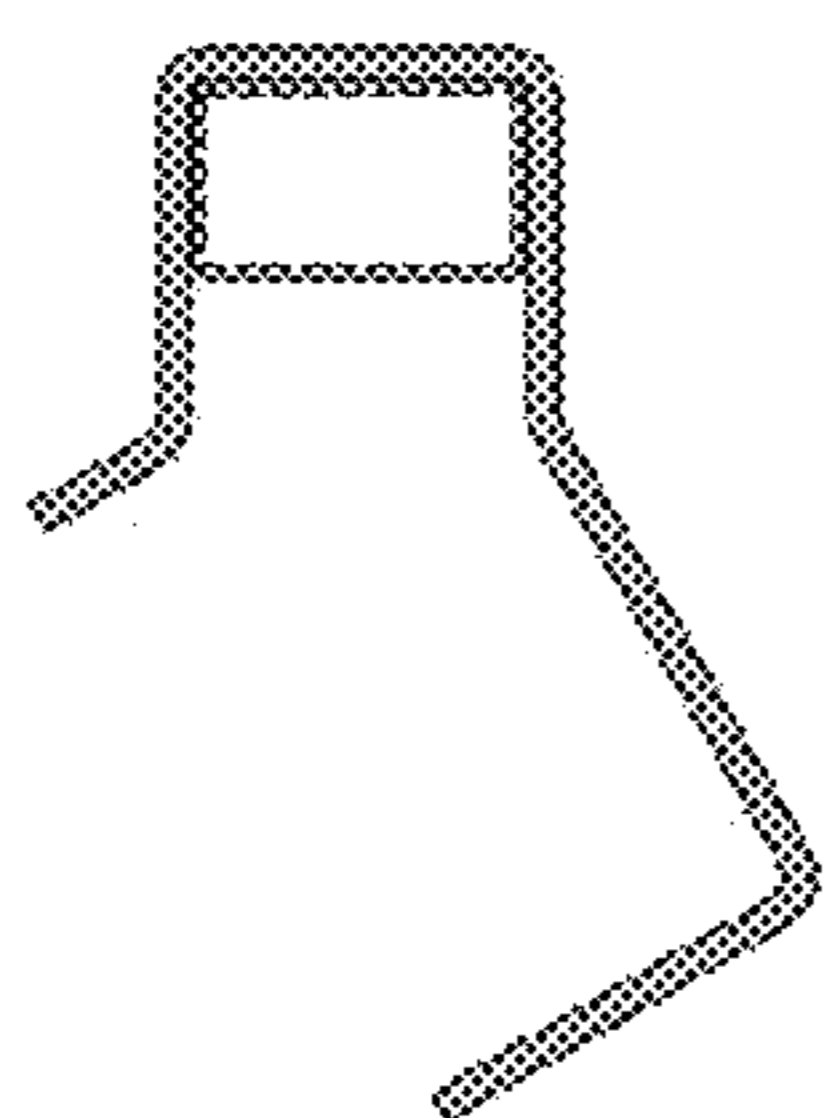


FIG. 2



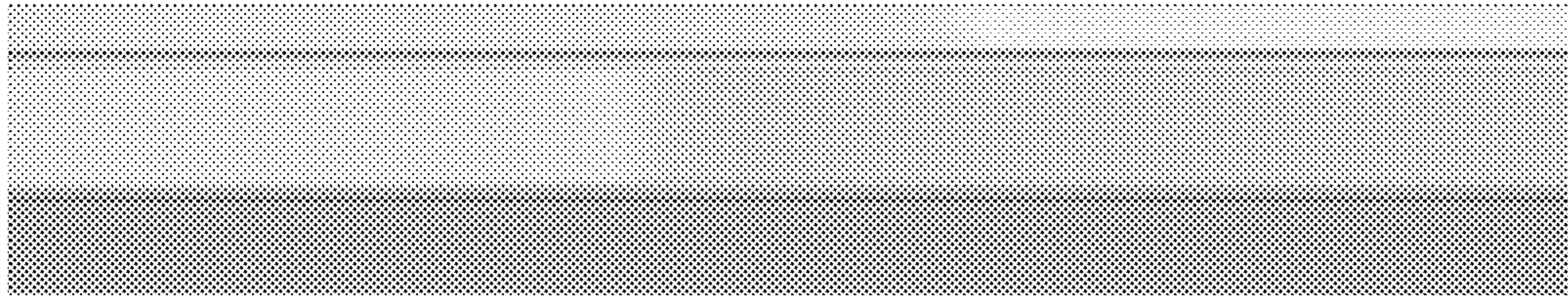


FIG. 3

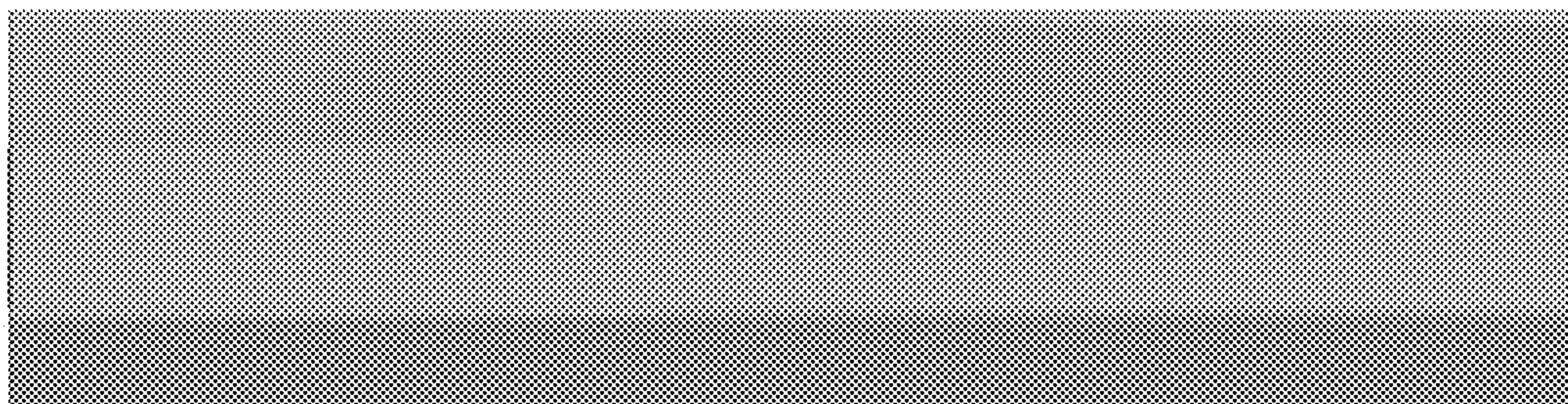


FIG. 4

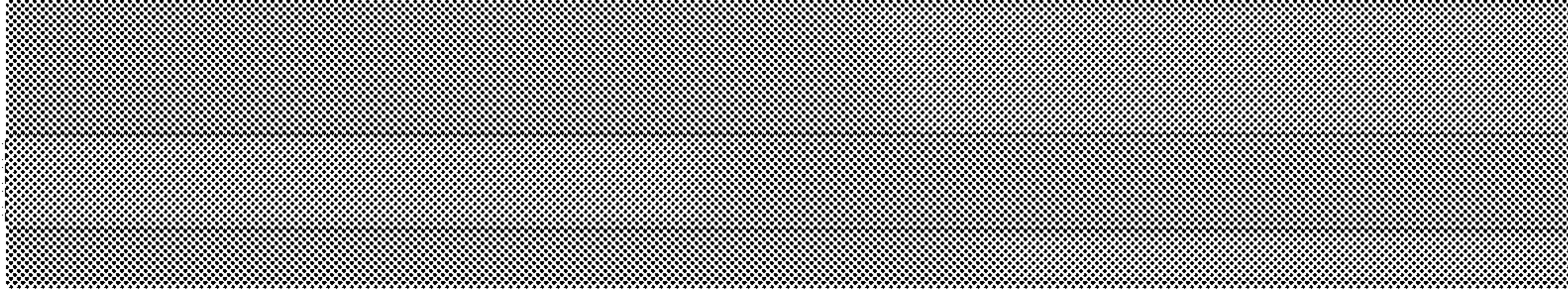


FIG. 5

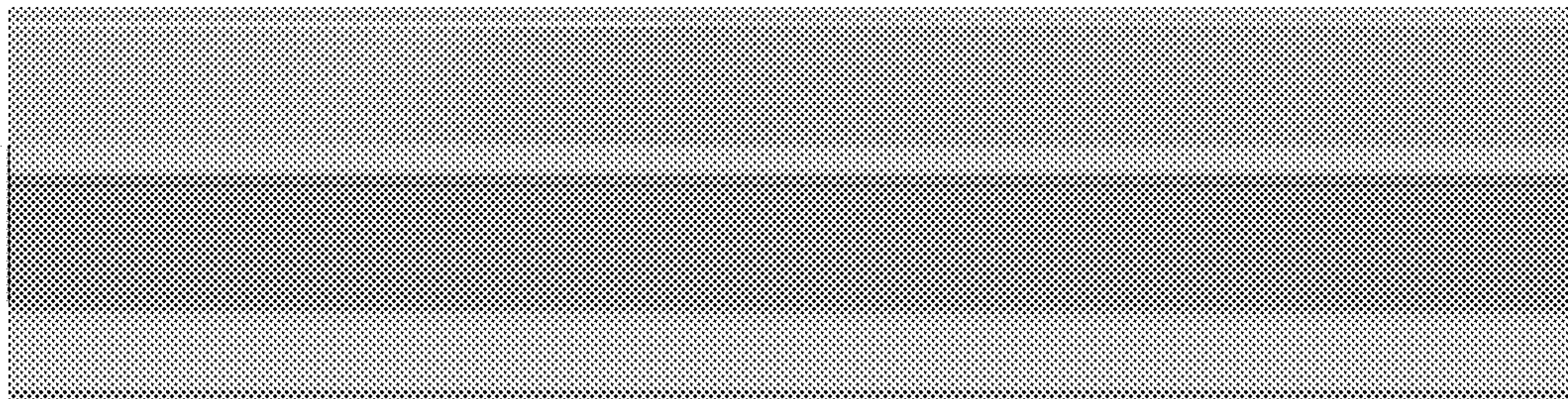


FIG. 6