



US00D783221S

(12) **United States Design Patent**  
**McVicar et al.**

(10) **Patent No.:** **US D783,221 S**

(45) **Date of Patent:** **\*\* Apr. 4, 2017**

(54) **FORKLIFT**

(71) Applicant: **Combilift**, Monaghan Town (IE)

(72) Inventors: **Martin McVicar**, Milltown (IE);  
**Robert Moffett**, Clontibret (IE); **Mark Whyte**, Castleblaney (IE)

(73) Assignee: **Combilift**, Monaghan Town (IE)

(\*\*) Term: **15 Years**

(21) Appl. No.: **29/541,841**

(22) Filed: **Oct. 8, 2015**

(30) **Foreign Application Priority Data**

Apr. 8, 2015 (EM) ..... 002676809

(51) **LOC (10) Cl.** ..... **12-05**

(52) **U.S. Cl.**  
USPC ..... **D34/34**

(58) **Field of Classification Search**  
USPC ..... D34/34; 187/222, 237; 414/572, 592,  
414/631; 180/89.12, 89.13, 89.17  
CPC ..... B66F 9/06; B66F 9/24; B66F 9/12; B66F  
9/0755; B66F 9/07572; B66F 17/003  
See application file for complete search history.

(56) **References Cited**

**U.S. PATENT DOCUMENTS**

D470,990 S *	2/2003	Han	.....	D34/34
D471,340 S *	3/2003	Shibata	.....	D34/34
D535,805 S *	1/2007	Stark	.....	D21/556
D594,173 S *	6/2009	Shibata	.....	D34/34
D613,474 S *	4/2010	Yakushi	.....	D34/34
D640,855 S *	6/2011	Ruppert	.....	D34/34
D651,783 S *	1/2012	Shibata	.....	D34/34

D657,111 S *	4/2012	Shibata	.....	D34/34
D722,214 S *	2/2015	Yakushi	.....	D34/34
D725,863 S *	3/2015	Kazaoka	.....	D34/34
D741,565 S *	10/2015	Schweig	.....	D34/34
D756,056 S *	5/2016	Wen	.....	D34/34
D763,538 S *	8/2016	Sumigama	.....	D34/34
D764,739 S *	8/2016	Molnar	.....	D34/34

\* cited by examiner

*Primary Examiner* — Cynthia Ramirez

(74) *Attorney, Agent, or Firm* — Porter, Wright, Morris & Arthur, LLP

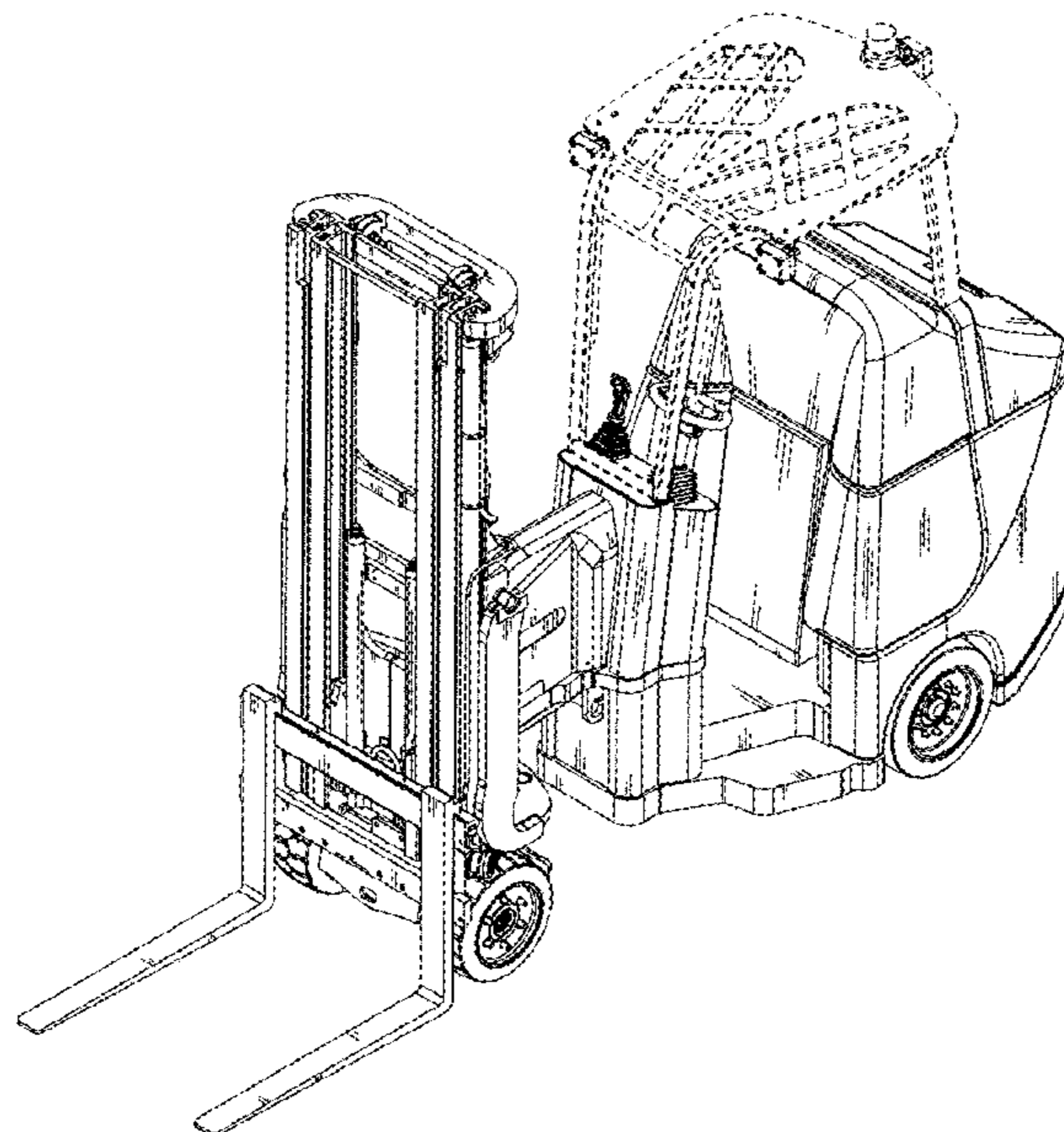
(57) **CLAIM**

The ornamental design for a forklift, as shown and described.

**DESCRIPTION**

FIG. 1 is a front perspective view of a forklift showing our new design;  
FIG. 2 is a rear perspective view thereof;  
FIG. 3 is a left side view thereof;  
FIG. 4 is a right side view thereof;  
FIG. 5 is a top view thereof;  
FIG. 6 is a bottom view thereof;  
FIG. 7 is a front view thereof;  
FIG. 8 is a rear view thereof;  
FIG. 9 is another rear perspective view thereof showing the forklift in an alternate position;  
FIG. 10 is another front perspective view thereof showing the forklift in an alternate position; and,  
FIG. 11 is another left side view thereof.  
The broken lines in the figures indicate environment and form no part of the claimed design.

**1 Claim, 11 Drawing Sheets**



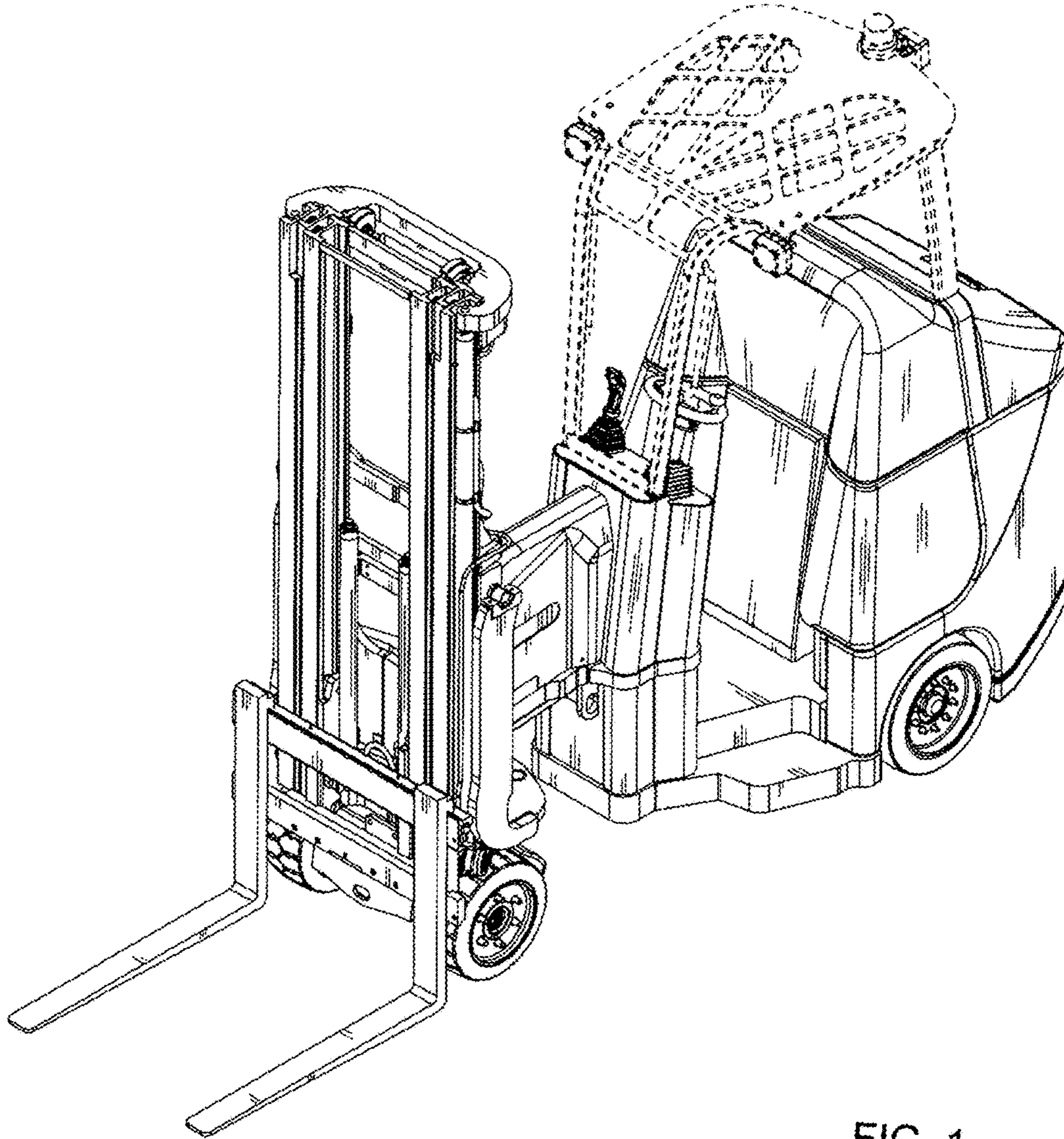


FIG. 1

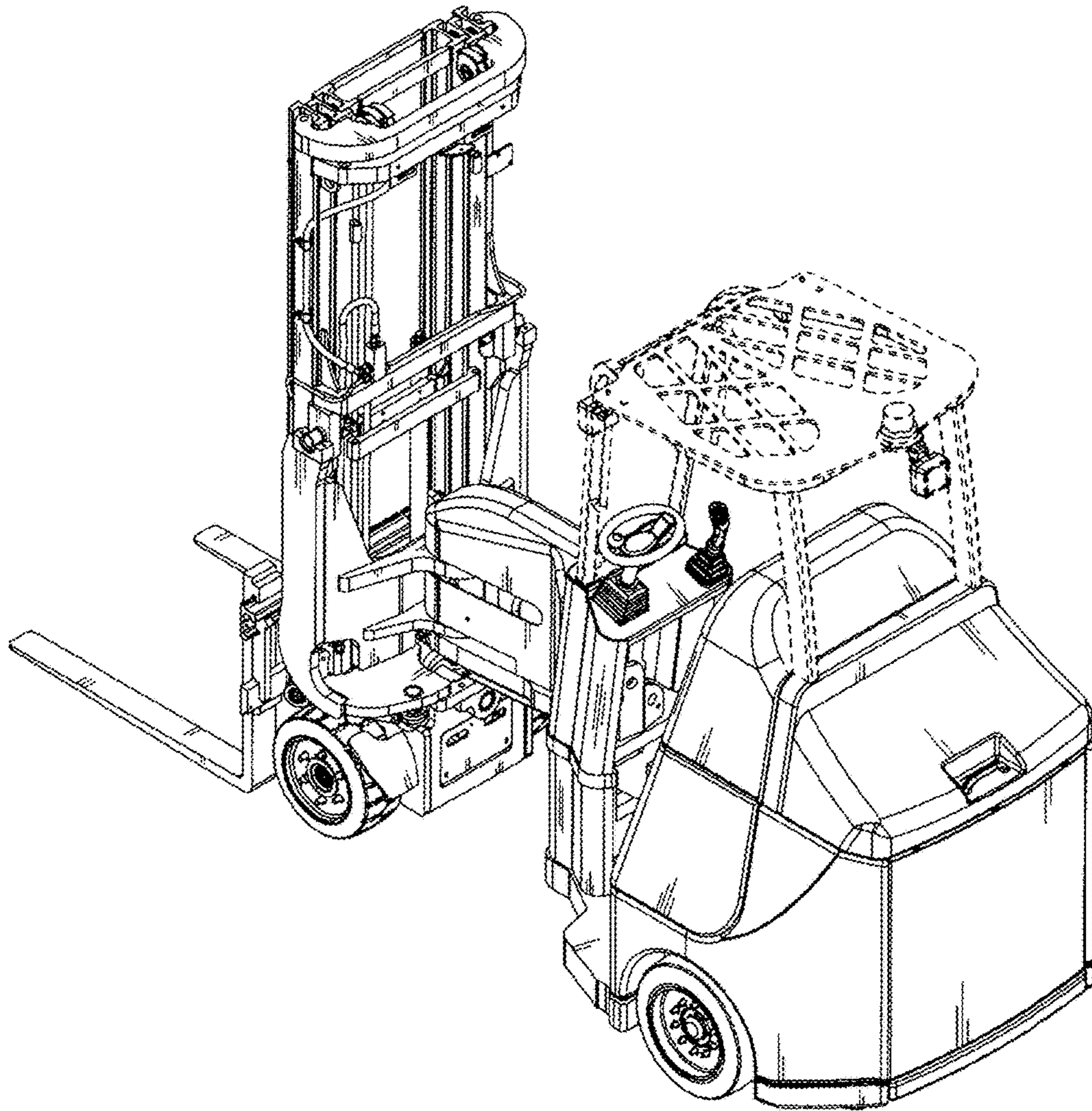


FIG. 2

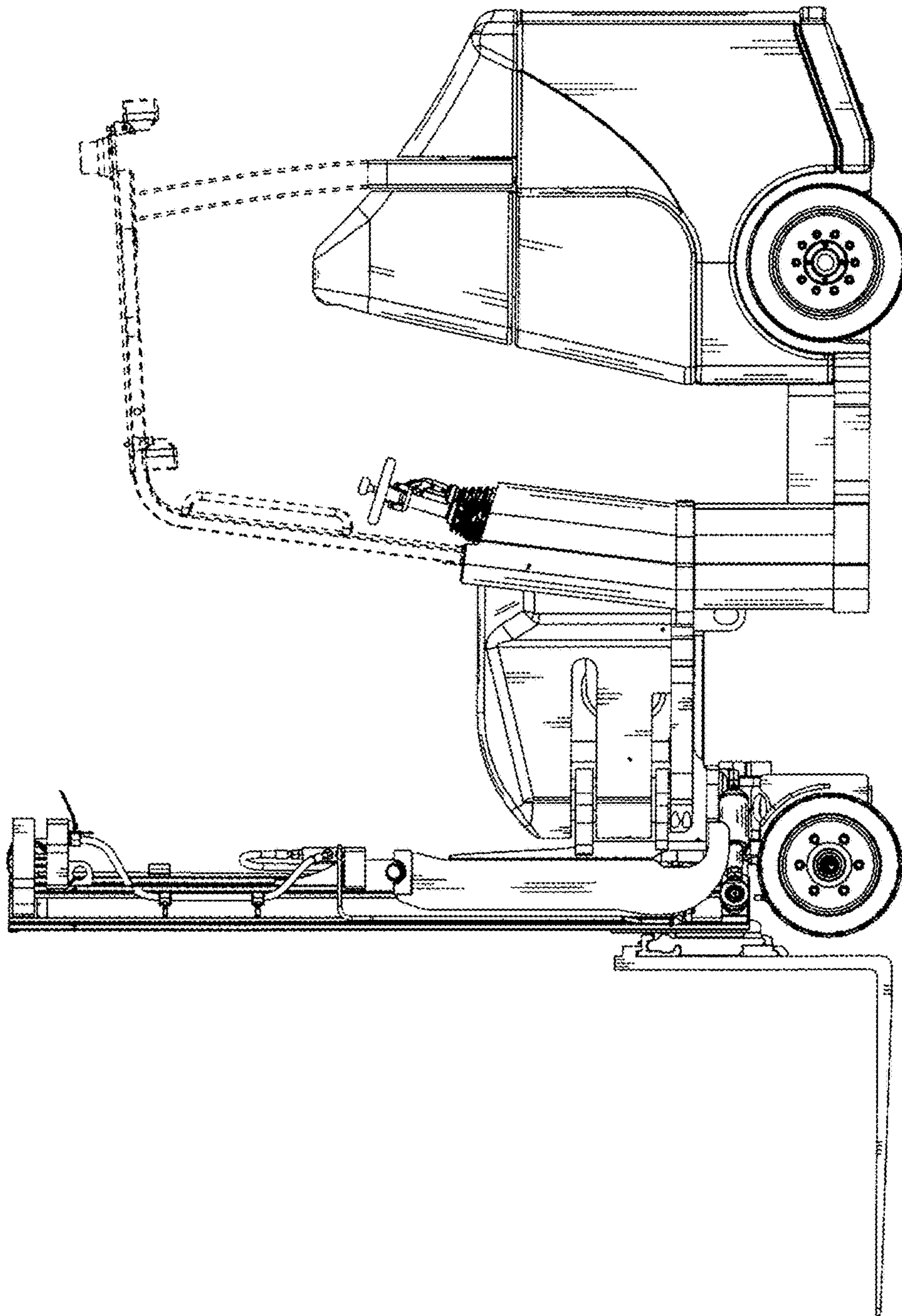


FIG. 3

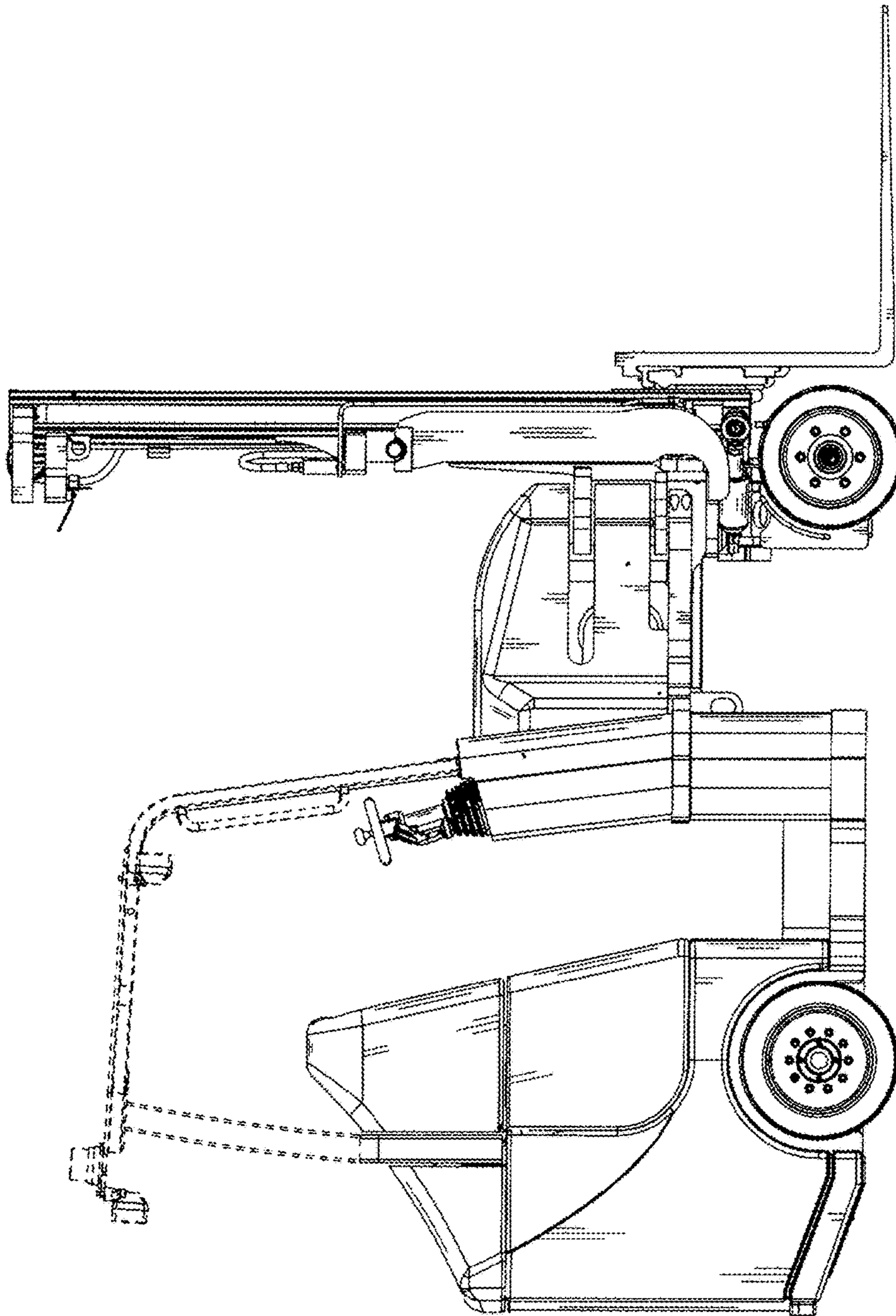


FIG. 4

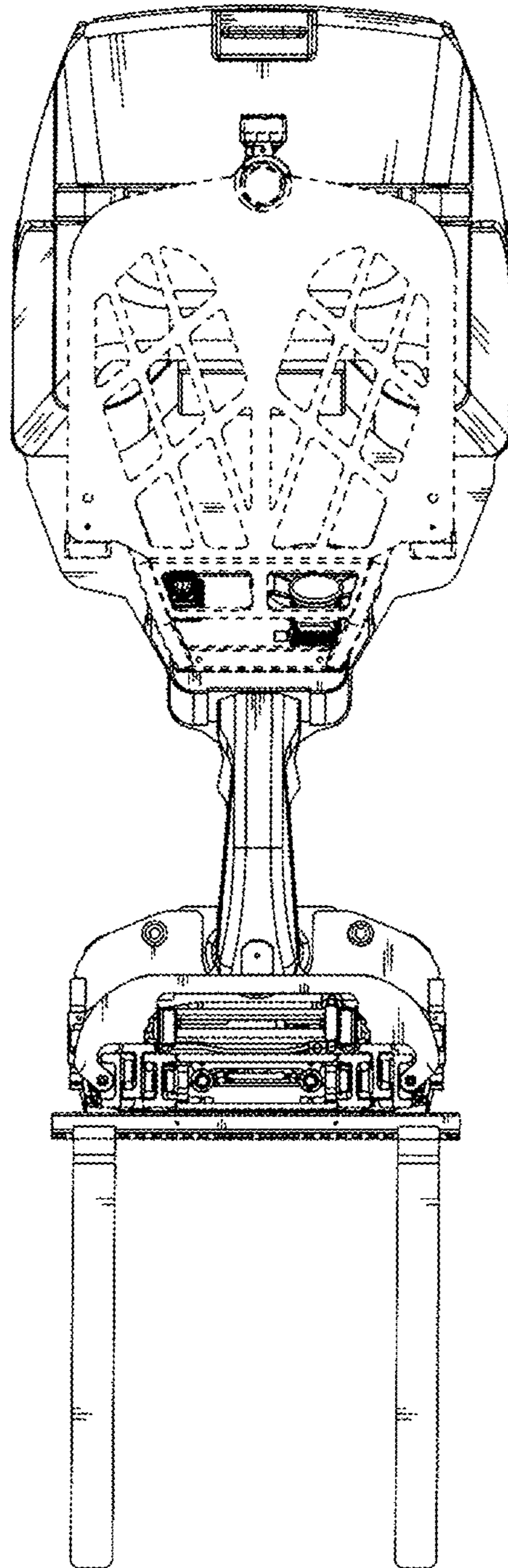


FIG. 5

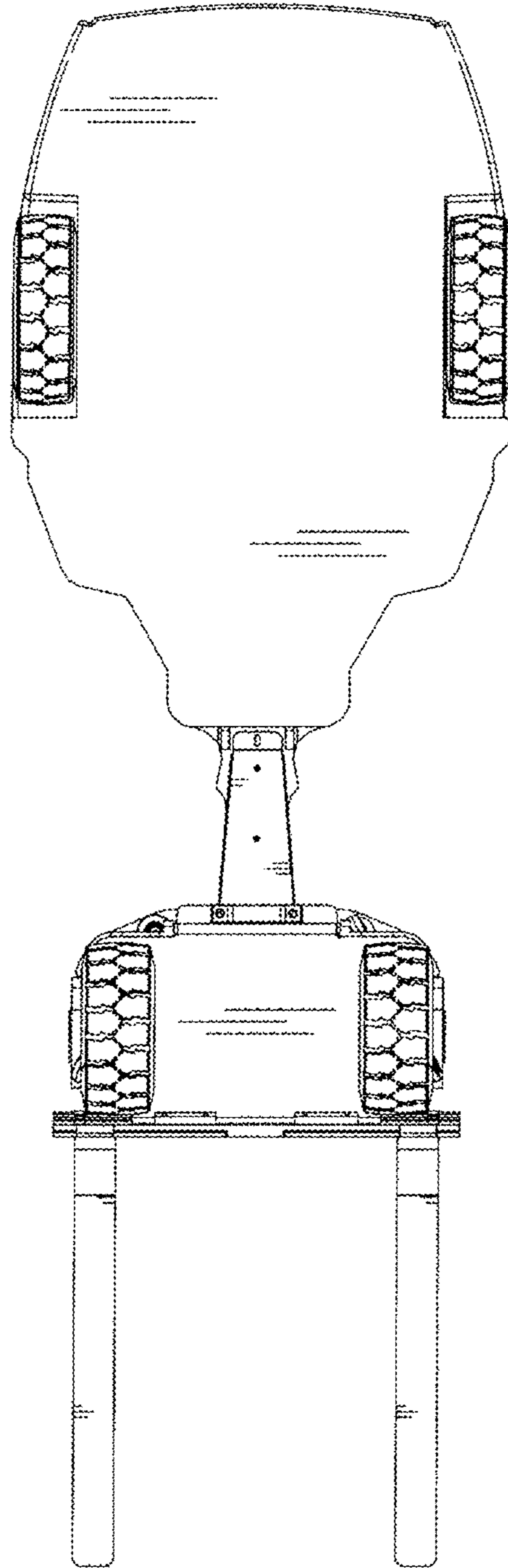


FIG. 6

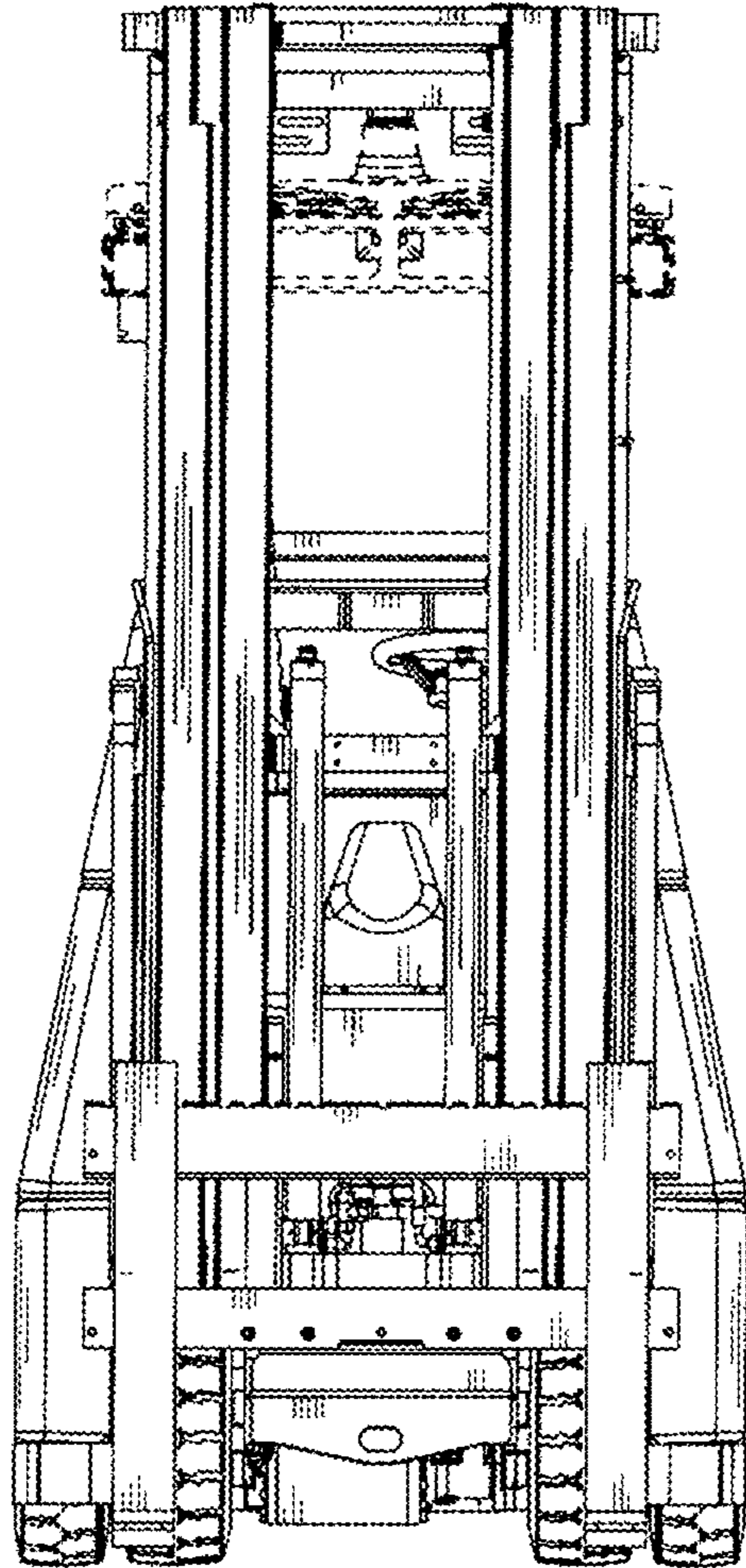


FIG. 7



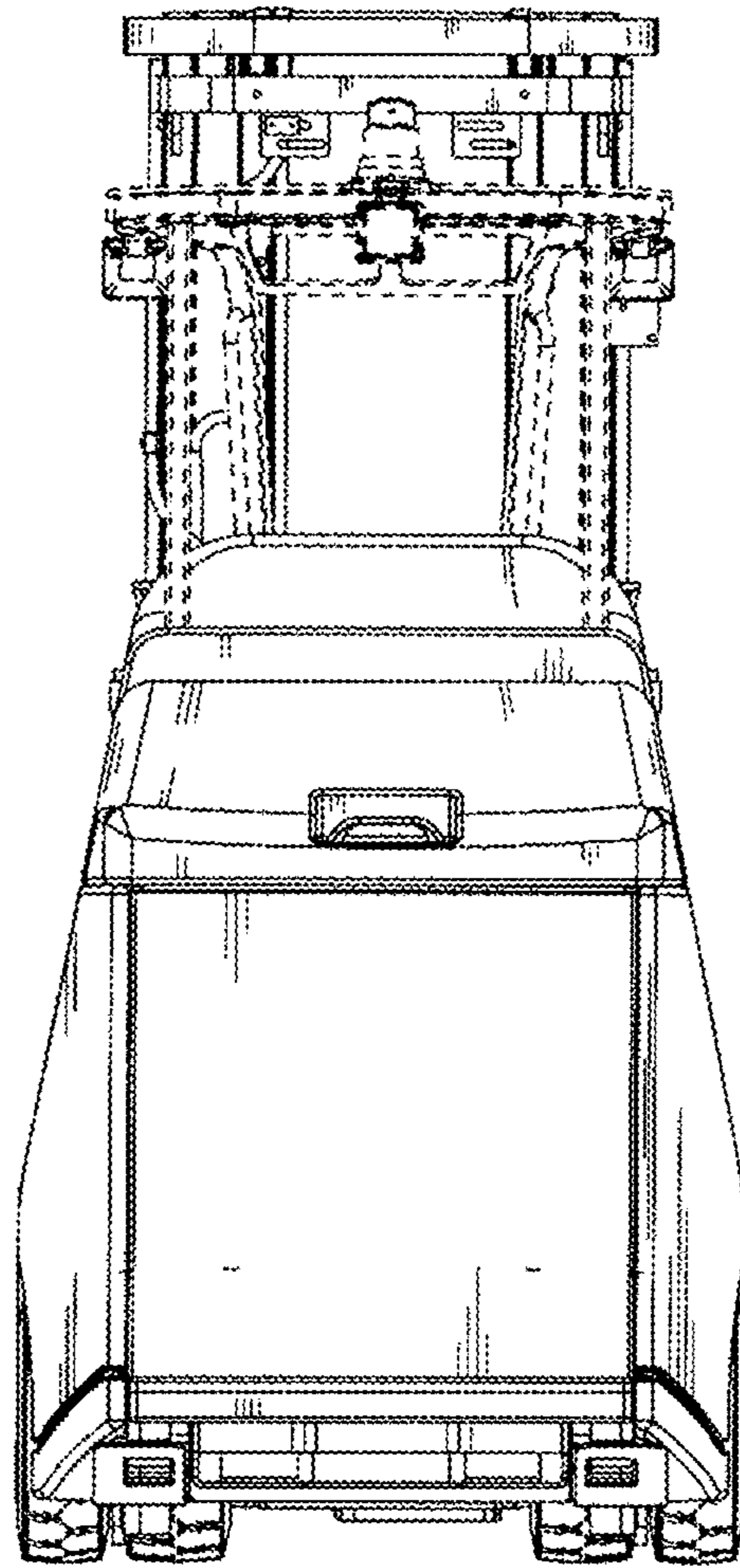


FIG. 8

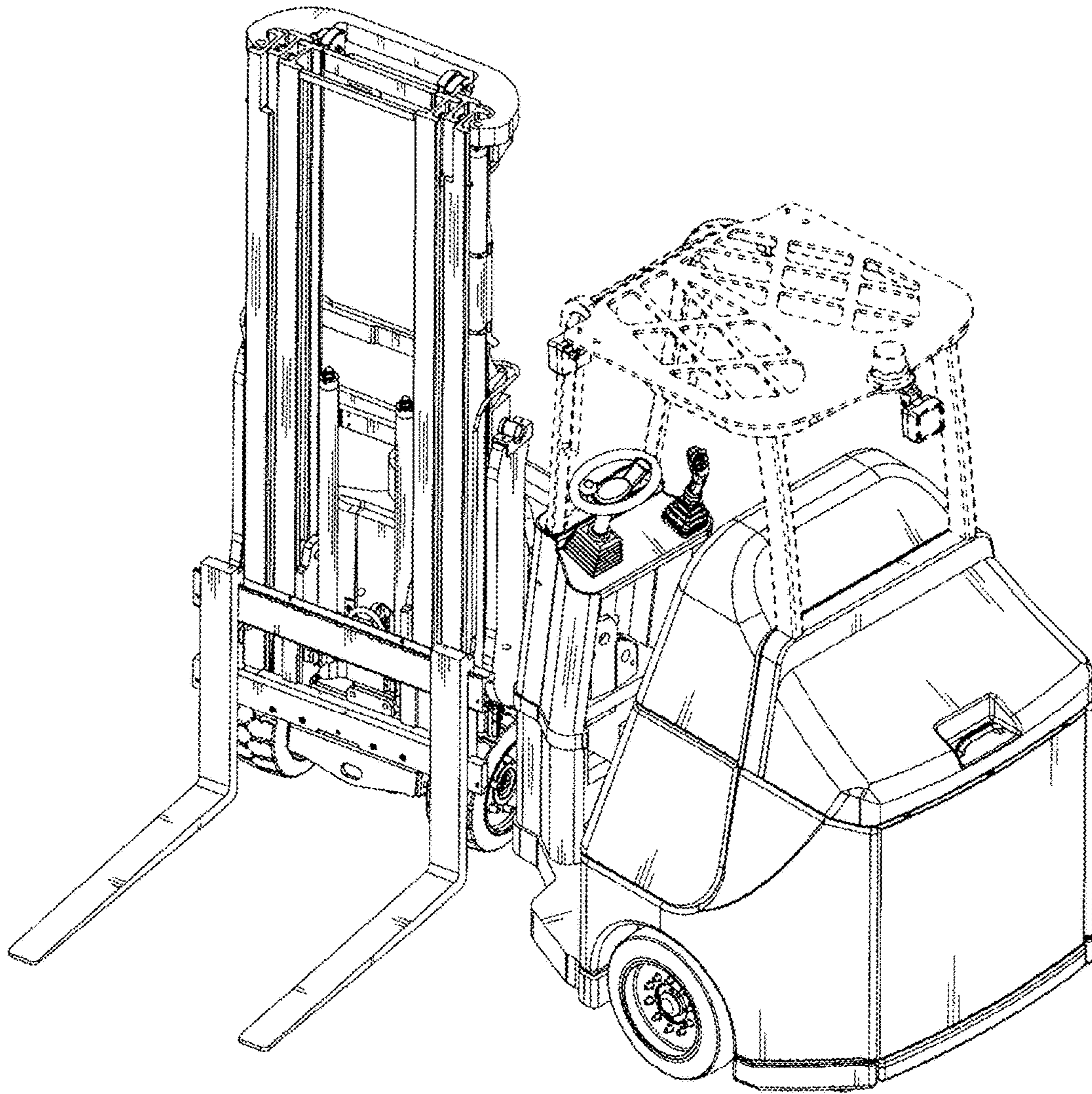


FIG. 9

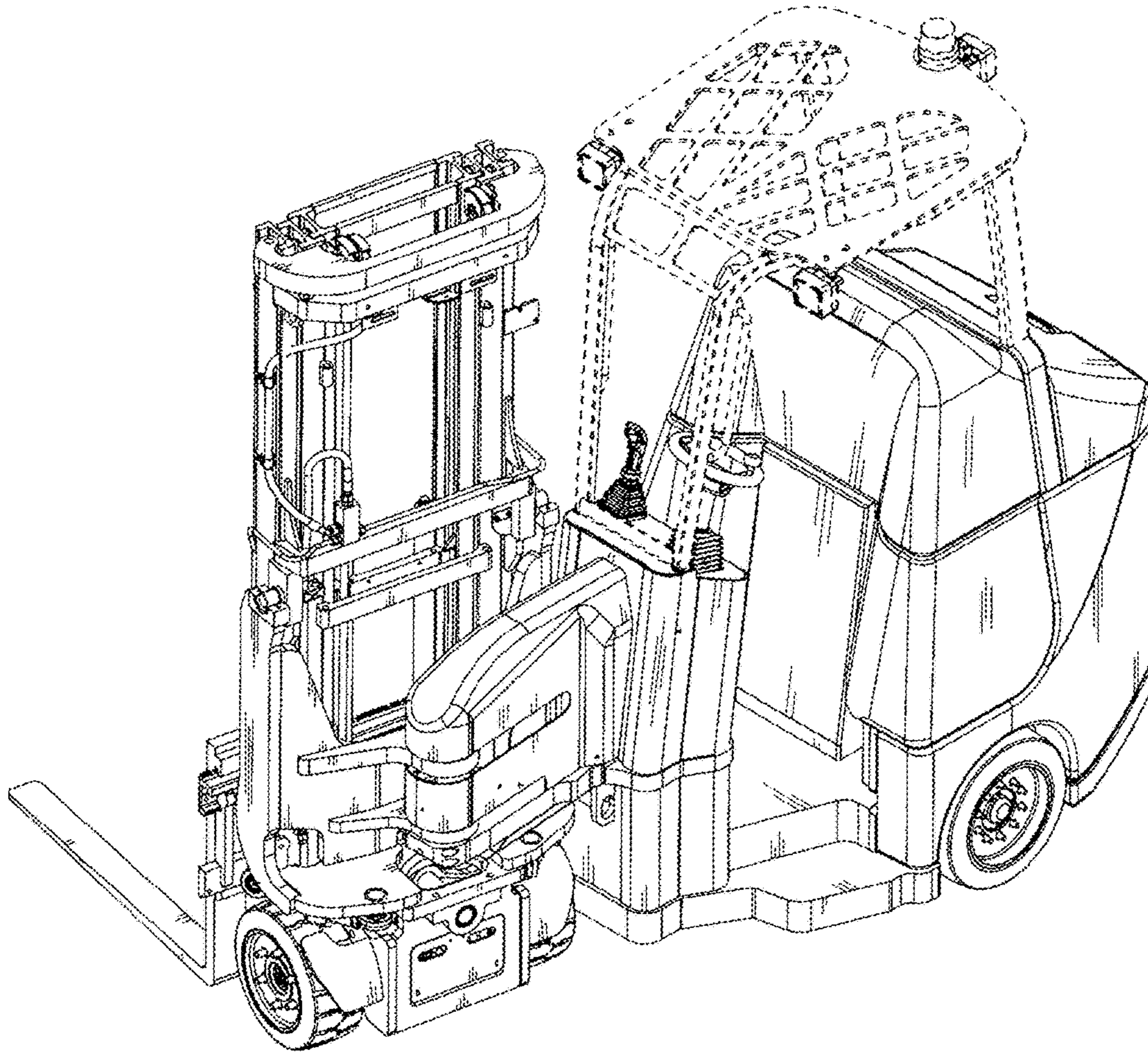


FIG. 10

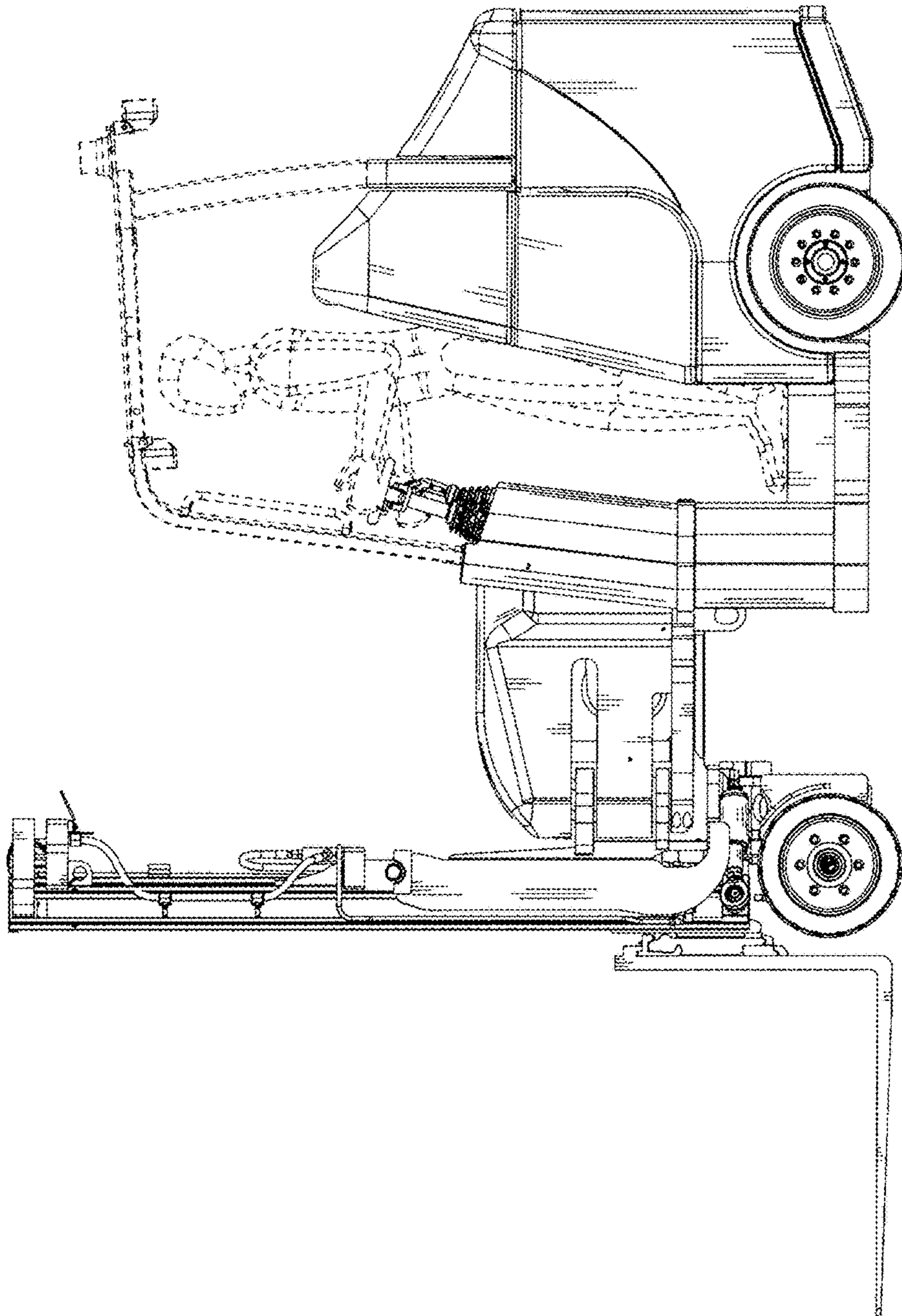


FIG. 11