



US00D783218S

(12) **United States Design Patent** (10) **Patent No.:** **US D783,218 S**
Thibault (45) **Date of Patent:** **** *Apr. 4, 2017**

- (54) **PAINTERS WHEELED CADDY**
- (71) Applicant: **Richard Thibault**, Clinton Township, MI (US)
- (72) Inventor: **Richard Thibault**, Clinton Township, MI (US)
- (*) Notice: This patent is subject to a terminal disclaimer.
- (**) Term: **15 Years**
- (21) Appl. No.: **29/529,322**
- (22) Filed: **Jun. 5, 2015**

2,840,384 A	1/1956	Bard	
2,922,176 A	6/1958	Bernhardt	
2,862,220 A	12/1958	Orr	
2,935,210 A	5/1960	Philip	
3,157,902 A	11/1964	Hardwick	
D200,400 S *	2/1965	Cooper D34/24
3,523,702 A	8/1970	Unti et al.	
3,558,152 A	1/1971	Miles et al.	
3,663,982 A	5/1972	Hayden	
3,752,494 A	8/1973	Dunn	
3,874,531 A	4/1975	Mayo	
D240,413 S *	7/1976	Swalm D34/21
4,067,485 A	1/1978	Soin	
4,072,429 A	2/1978	Terzian et al.	

(Continued)

Related U.S. Application Data

- (63) Continuation of application No. 29/489,937, filed on May 5, 2014, now Pat. No. Des. 734,586, which is a continuation of application No. 12/207,583, filed on Sep. 10, 2008, now abandoned.
- (51) **LOC (10) Cl.** **12-02**
- (52) **U.S. Cl.**
USPC **D34/14**
- (58) **Field of Classification Search**
USPC D34/12-27; D32/53, 53.1, 54;
15/257.05, 257.06, 206, 262, 264;
280/79.5, 47.16, 47.34, 47.35
CPC A45D 34/046; B62B 2202/028; B62B
5/0083; B62B 3/02; B62B 3/10; B62B
3/006
See application file for complete search history.

FOREIGN PATENT DOCUMENTS

GB	2282631 A	4/1995
WO	2008096339 A2	8/2008

Primary Examiner — Cynthia Ramirez
(74) *Attorney, Agent, or Firm* — The Dobrusin Law Firm, P.C.; Daniel P. Aleksynas

(57) **CLAIM**

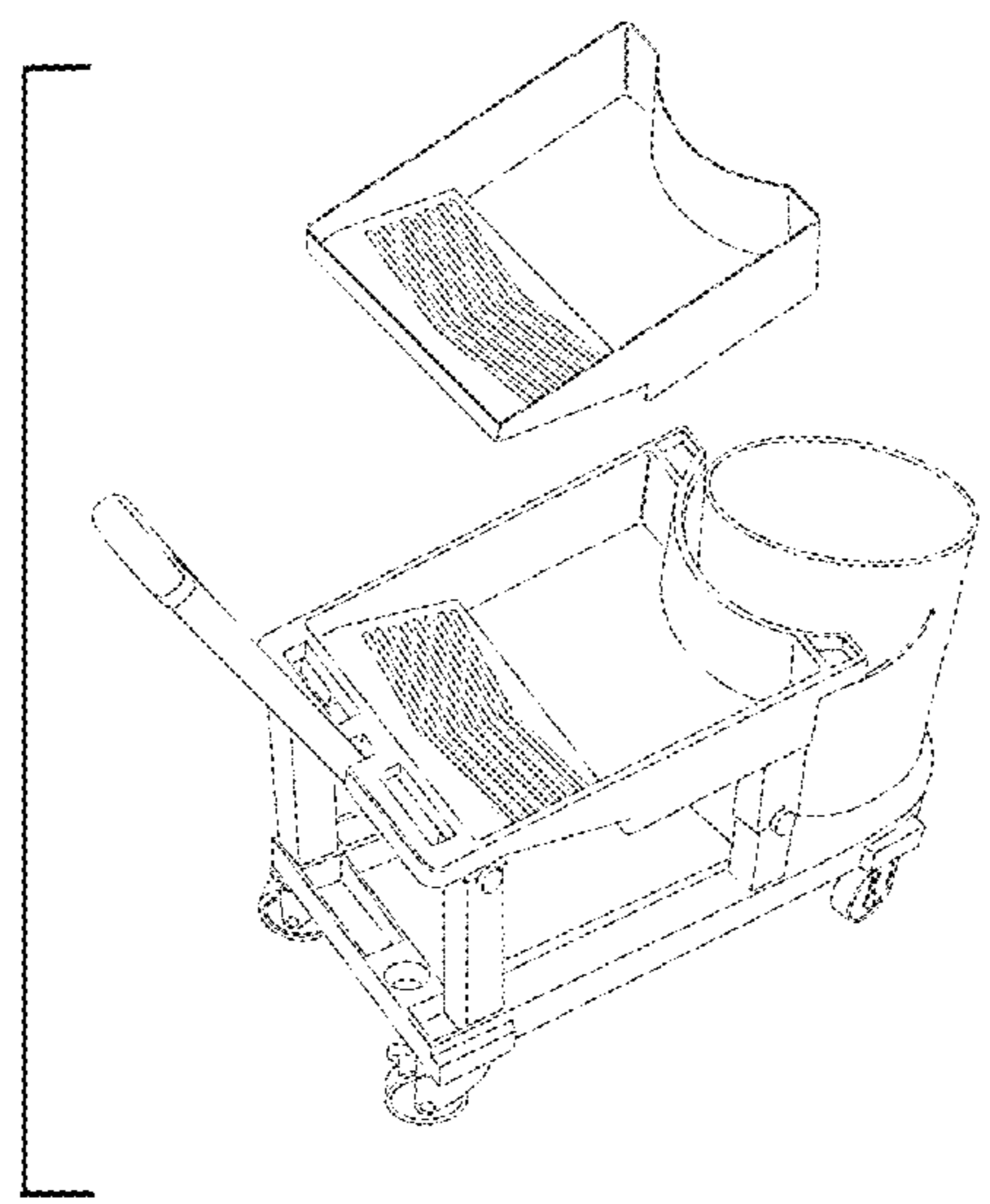
The ornamental design for a painters wheeled caddy, as shown and described.

DESCRIPTION

FIG. 1 is a perspective view of a painters wheeled caddy showing my new design.
FIG. 2 is a left side elevation view thereof.
FIG. 3 is a right side elevation view thereof.
FIG. 4 is a rear view thereof.
FIG. 5 is a top plan view thereof.
FIG. 6 is a front view thereof; and,
FIG. 7 is an exploded perspective view thereof.
The broken line showing of a bucket is included for the purpose of illustrating environment and forms no part of the claimed design.

1 Claim, 4 Drawing Sheets

- (56) **References Cited**
U.S. PATENT DOCUMENTS
1,583,161 A 5/1926 Malott
1,759,749 A 5/1930 Chester
2,648,545 A 8/1953 Cassidy



(56)

References Cited

U.S. PATENT DOCUMENTS

4,217,062 A	8/1980	Trp et al.	6,547,264 B1	4/2003	Blackburn
4,449,322 A	5/1984	Blumenthal	6,590,184 B1	7/2003	Andersen
4,458,963 A	7/1984	Keddie	6,669,214 B1	12/2003	Domis
4,588,318 A	5/1986	O'Brien et al.	6,695,325 B2	2/2004	Carrillo
4,635,951 A	1/1987	Berfield et al.	6,698,771 B1	3/2004	Bergeron
D291,111 S	7/1987	Linn	D490,197 S	5/2004	Goulet
D292,533 S	10/1987	Saraga	6,746,039 B2	6/2004	Perelli
4,715,296 A	12/1987	Wilkinson	6,935,644 B1	8/2005	Oranday
4,717,276 A	1/1988	O'Brien et al.	D524,006 S *	6/2006	Verb D34/17
4,790,610 A	12/1988	Welch et al.	7,204,374 B2	4/2007	Marek
4,832,355 A	5/1989	Hung	D543,723 S *	6/2007	Brown D34/19
4,880,248 A	11/1989	Elmer	7,357,398 B2	4/2008	O'Connor
4,993,726 A	2/1991	Schumacher et al.	D569,567 S	5/2008	Kohn
4,998,023 A	3/1991	Kitts	7,424,959 B1	9/2008	Biebel
5,002,293 A	3/1991	Gottselig	7,516,704 B2	4/2009	Snider et al.
5,004,255 A	4/1991	Briggs	7,568,667 B1 *	8/2009	Feik B44D 3/14 248/128
5,046,749 A	9/1991	Owens	7,648,147 B2	1/2010	Lauer et al.
5,107,775 A	4/1992	Langlais et al.	7,658,388 B1	2/2010	Rodriguez et al.
5,156,411 A	10/1992	Owens	7,661,685 B2	2/2010	Thibault
5,190,303 A	3/1993	Schumacher et al.	7,758,055 B2	7/2010	Martinez
5,318,314 A	6/1994	Cyphers et al.	7,823,907 B1 *	11/2010	Coholan B62B 15/008 280/47.26
5,341,969 A	8/1994	Accardo et al.	7,871,090 B2	1/2011	Staub
5,380,033 A	1/1995	Harling	D654,239 S	2/2012	Hurt
D355,287 S	2/1995	Camp, Jr.	D660,540 S	5/2012	Thompson et al.
D356,198 S	3/1995	Litin	D675,391 S	1/2013	Arvinte et al.
5,460,391 A	10/1995	Gantz et al.	D694,975 S	12/2013	Lambertson et al.
D366,747 S	1/1996	Litin et al.	D697,284 S *	1/2014	Ho D34/12
5,518,127 A	5/1996	Warmack et al.	D734,586 S *	7/2015	Thibault D34/14
5,642,830 A	7/1997	Foster	9,393,979 B1 *	7/2016	Milton B62B 3/02
D383,579 S	9/1997	Samson	2002/0056967 A1 *	5/2002	Carrillo B62B 3/008 280/47.35
5,727,708 A	3/1998	Erickson	2003/0102644 A1	6/2003	Figueroa
5,806,867 A	9/1998	Hampton	2004/0227315 A1	11/2004	VanLandingham
D409,808 S	5/1999	Zorzo	2005/0103238 A1	5/2005	Paventi
5,931,595 A	8/1999	Van Oost	2006/0103090 A1	5/2006	Fernandes et al.
5,984,129 A	11/1999	Pasinski	2007/0182114 A1	8/2007	Fernandes et al.
6,027,128 A	2/2000	Stich et al.	2007/0210547 A1	9/2007	Ellis
6,053,516 A	4/2000	Ottaway	2009/0026721 A1	1/2009	Martinez
6,079,720 A	6/2000	Spear et al.	2009/0230644 A1 *	9/2009	Stanley B62B 3/10 280/43
6,095,746 A	8/2000	Bergin	2013/0277257 A1 *	10/2013	Aronoff B44D 3/126 206/373
6,334,622 B1	1/2002	Romero			
6,471,086 B1	10/2002	Fleckenstein			
6,497,423 B1	12/2002	Perelli et al.			

* cited by examiner

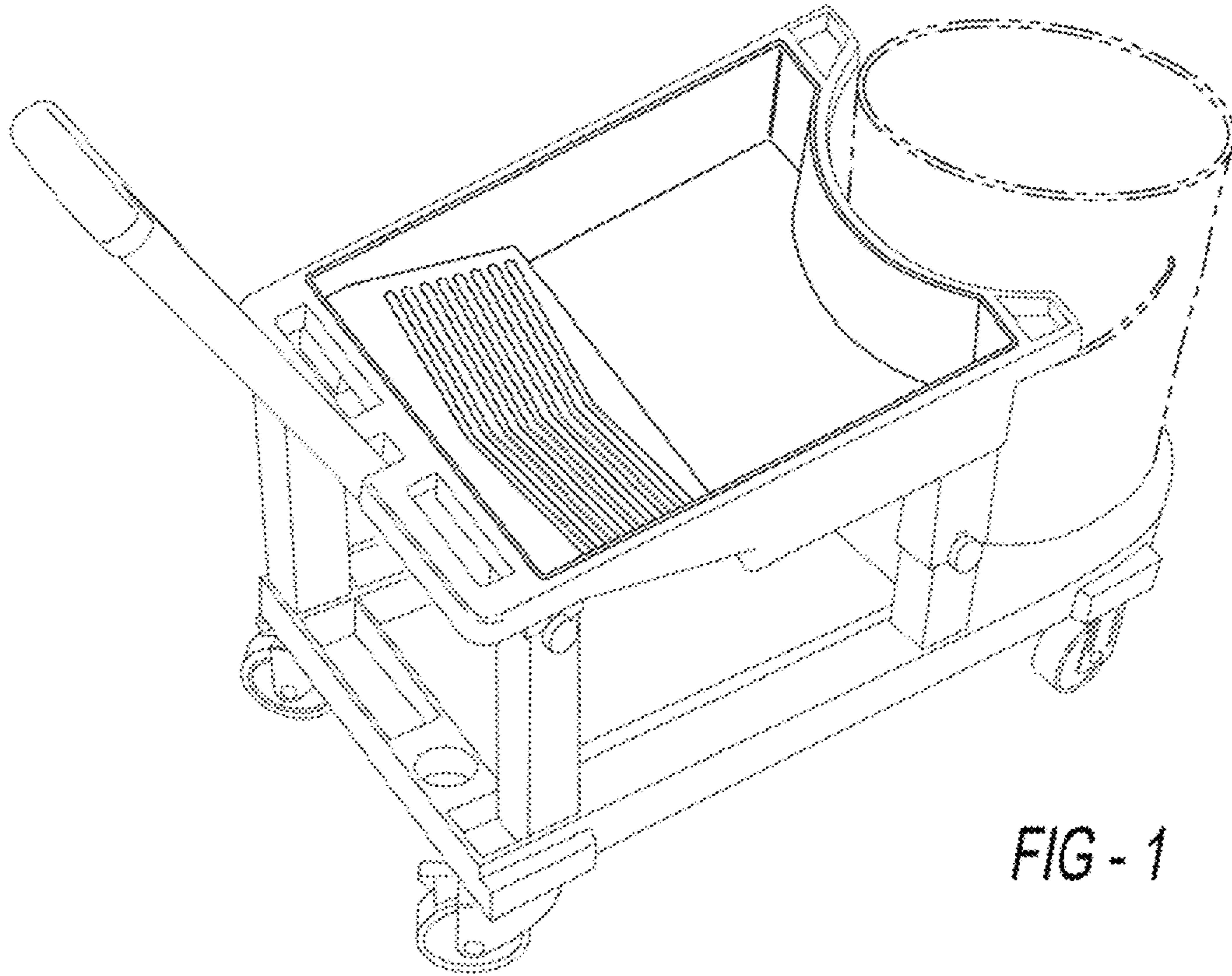


FIG - 1

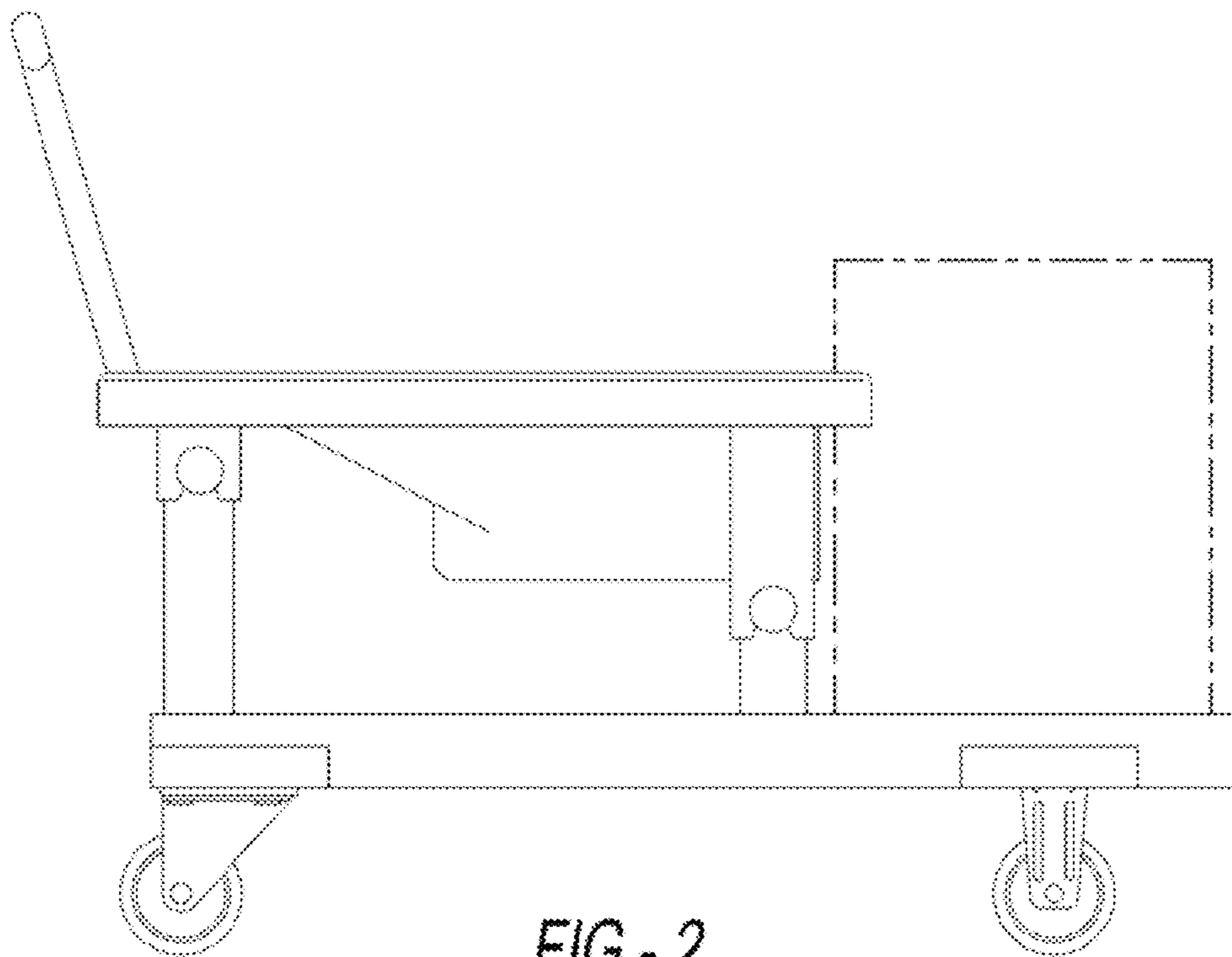


FIG - 2

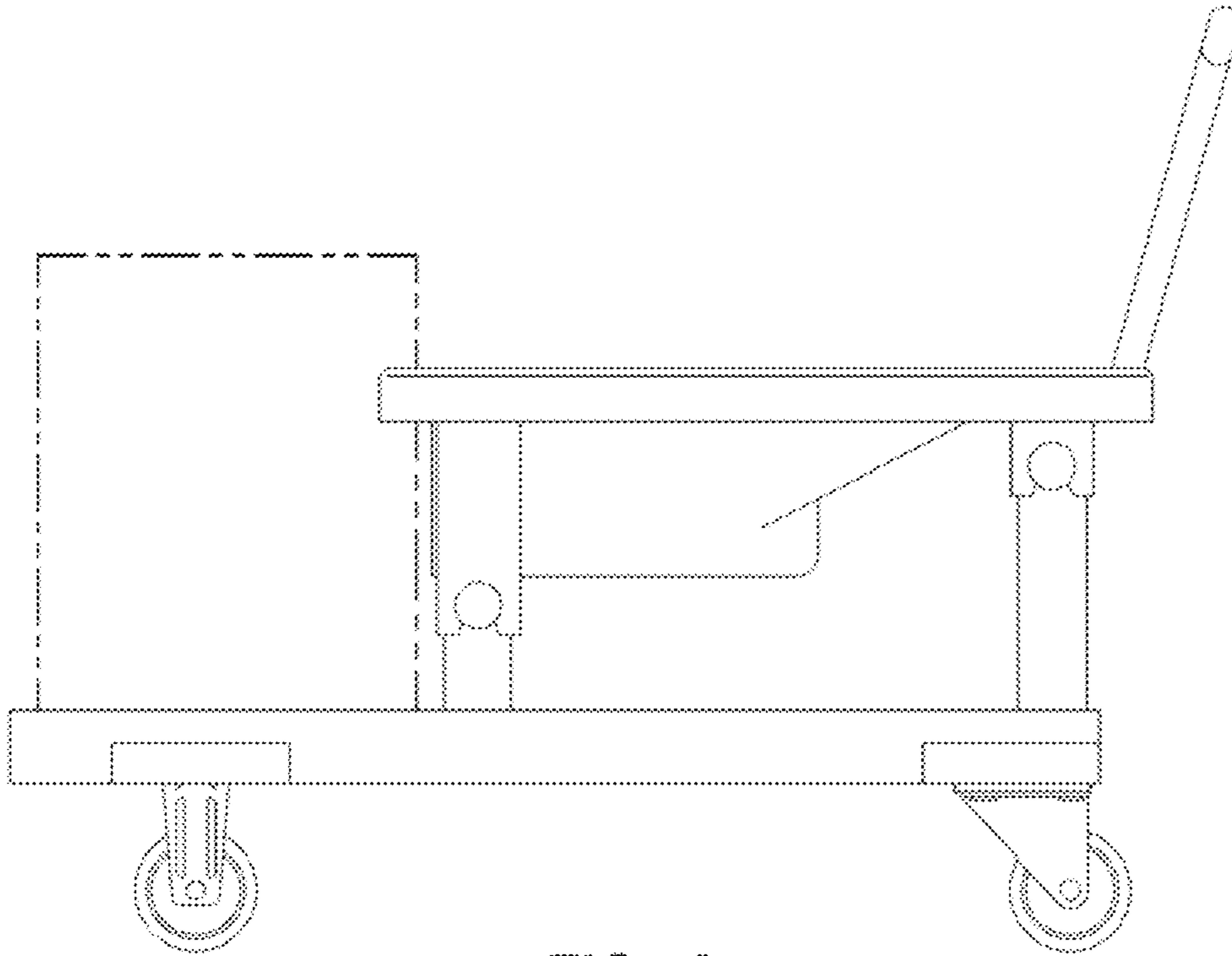


FIG - 3

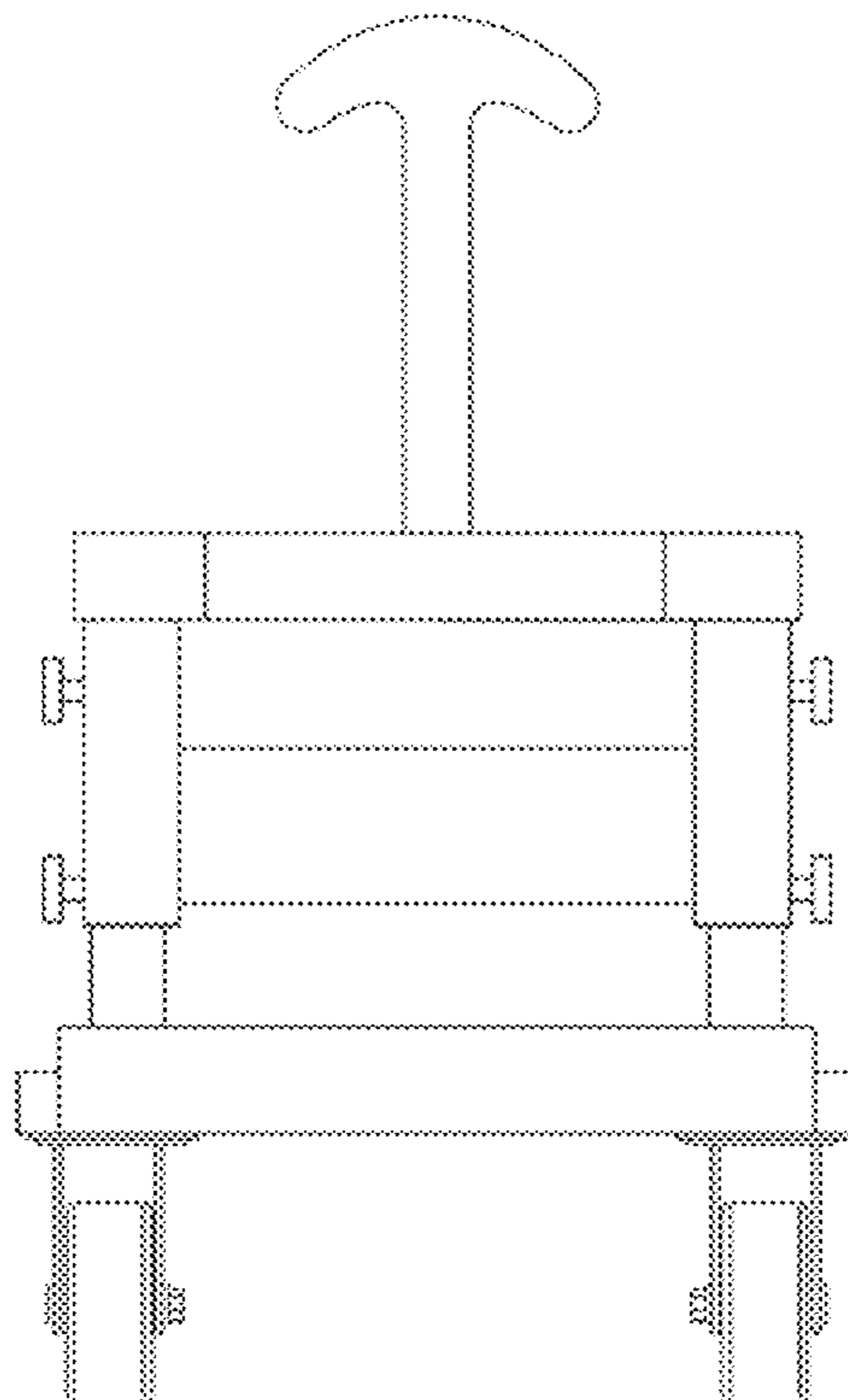


FIG - 4

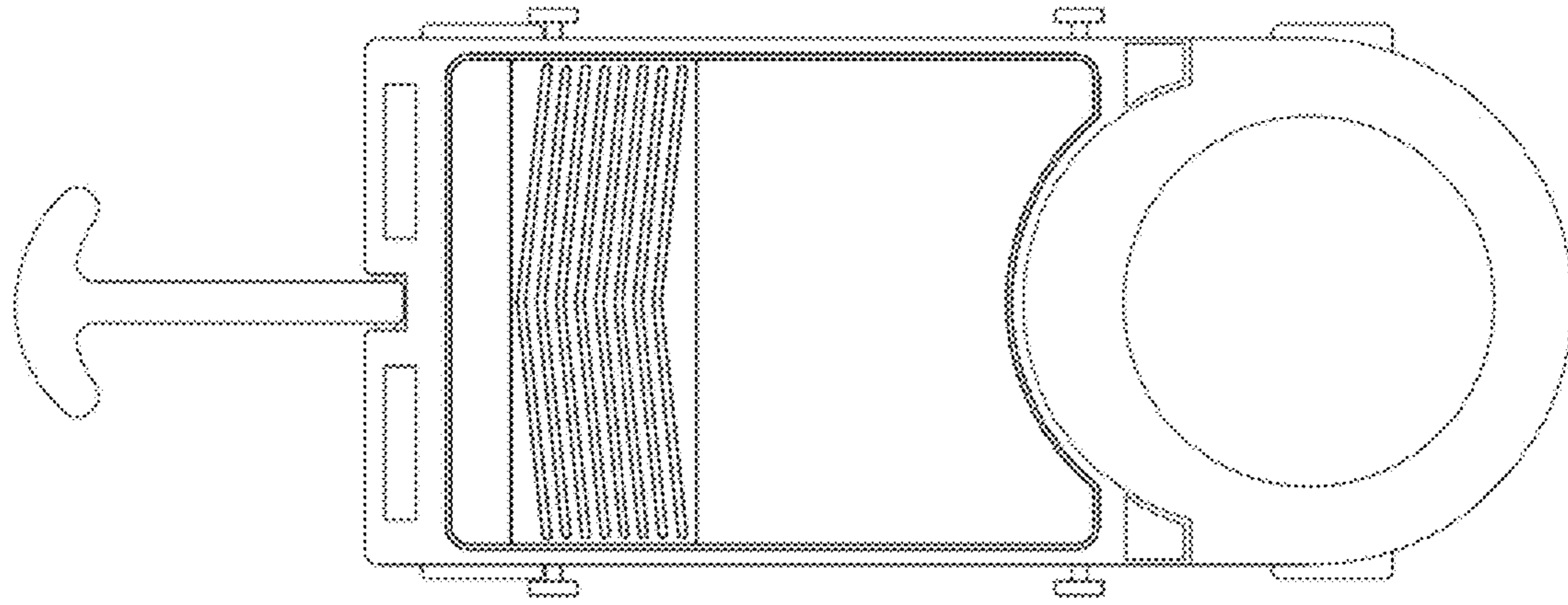


FIG - 5

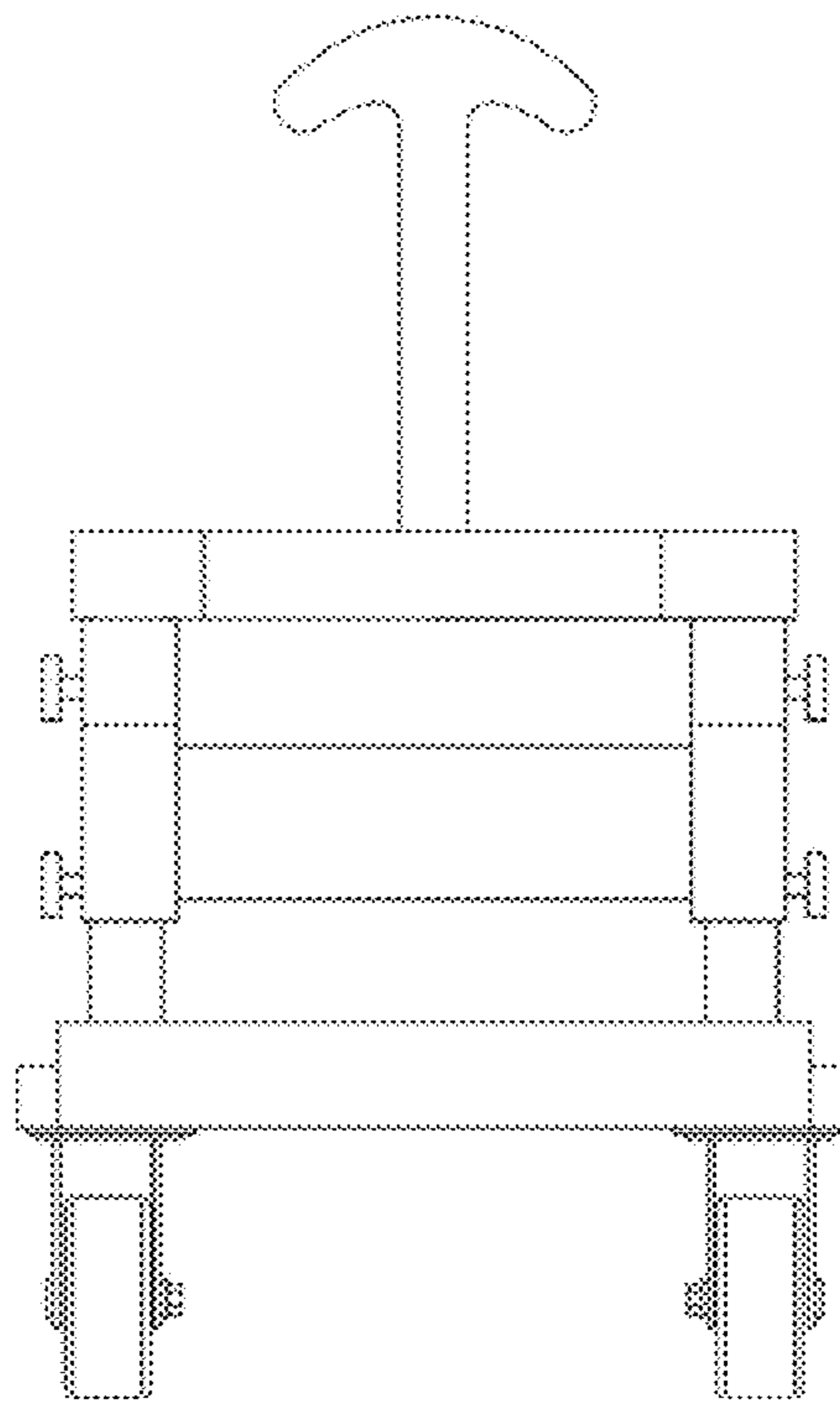


FIG - 6

