



US00D783216S

(12) **United States Design Patent**
Huang

(10) **Patent No.:** **US D783,216 S**

(45) **Date of Patent:** **** Apr. 4, 2017**

(54) **DISH RACK**

(71) Applicant: **Jianping Huang**, Guangdong (CN)

(72) Inventor: **Jianping Huang**, Guangdong (CN)

(**) Term: **15 Years**

(21) Appl. No.: **29/556,265**

(22) Filed: **Feb. 29, 2016**

(30) **Foreign Application Priority Data**

Jan. 28, 2016 (CN) 2016 3 0032201

(51) **LOC (10) Cl.** **07-05**

(52) **U.S. Cl.**
USPC **D32/55**

(58) **Field of Classification Search**

USPC D32/55, 276, 3; D6/510, 525; D30/133;
211/41.5, 41.4, 41.3, 41.8; 361/679.4;
312/311, 333, 334.4; D7/354, 629

CPC A47J 47/20; A47J 2201/00; A47J 47/00;
B65D 35/02; B65D 35/22; B65D 35/56

See application file for complete search history.

(56) **References Cited**

U.S. PATENT DOCUMENTS

D555,311 S * 11/2007 Yang D32/55
D581,619 S * 11/2008 Yang D32/55
D599,067 S * 8/2009 Yang D32/55

D599,068 S * 8/2009 Yang D32/55
D647,678 S * 10/2011 Yang D32/55
D693,081 S * 11/2013 Yang D32/55
D699,413 S * 2/2014 Huang D32/55
D706,510 S * 6/2014 Lerner D32/55
D714,508 S * 9/2014 Joy D32/55
D723,236 S * 2/2015 Khaitan D32/55
D750,337 S * 2/2016 Duvigneau D32/55
D757,384 S * 5/2016 Duvigneau D32/55
D762,035 S * 7/2016 Cooper D32/55

* cited by examiner

Primary Examiner — Austin Murphy

(74) *Attorney, Agent, or Firm* — Don D. Cha; Hamilton DeSanctis & Cha, LLP.

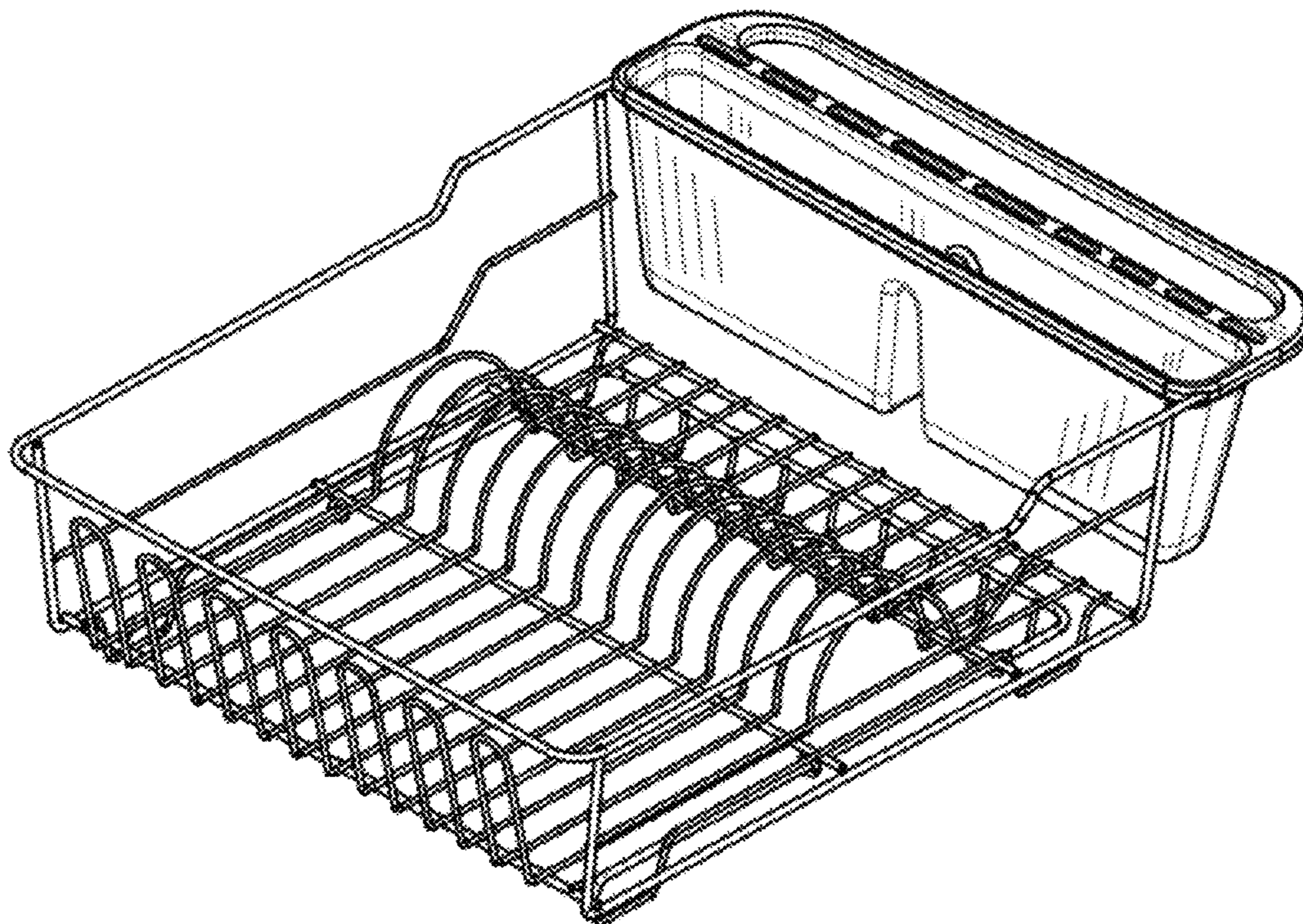
(57) **CLAIM**

The ornamental design for a dish rack, as shown and described.

DESCRIPTION

FIG. 1 is a first perspective view of a dish rack hereof; FIG. 2 is a second perspective view of a dish rack hereof; FIG. 3 is a front view of a dish rack hereof; FIG. 4 is a rear view of a dish rack hereof; FIG. 5 is a left view of a dish rack hereof; FIG. 6 is a right view of a dish rack hereof; FIG. 7 is a top view of a dish rack hereof; and, FIG. 8 is a bottom view of a dish rack hereof. The design is a dish rack intended for stacking washed dishes and bowls.

1 Claim, 5 Drawing Sheets



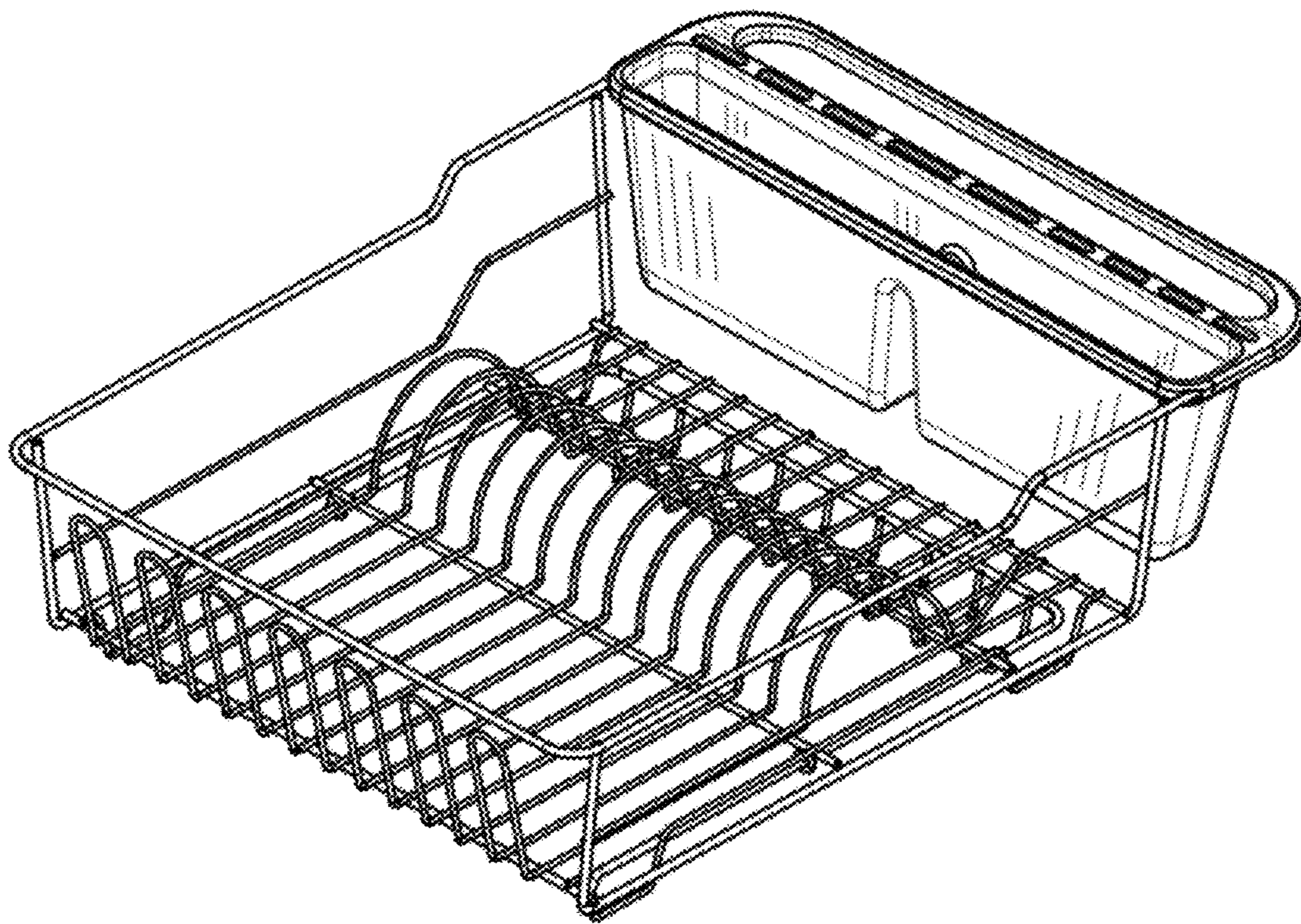


FIGURE 1

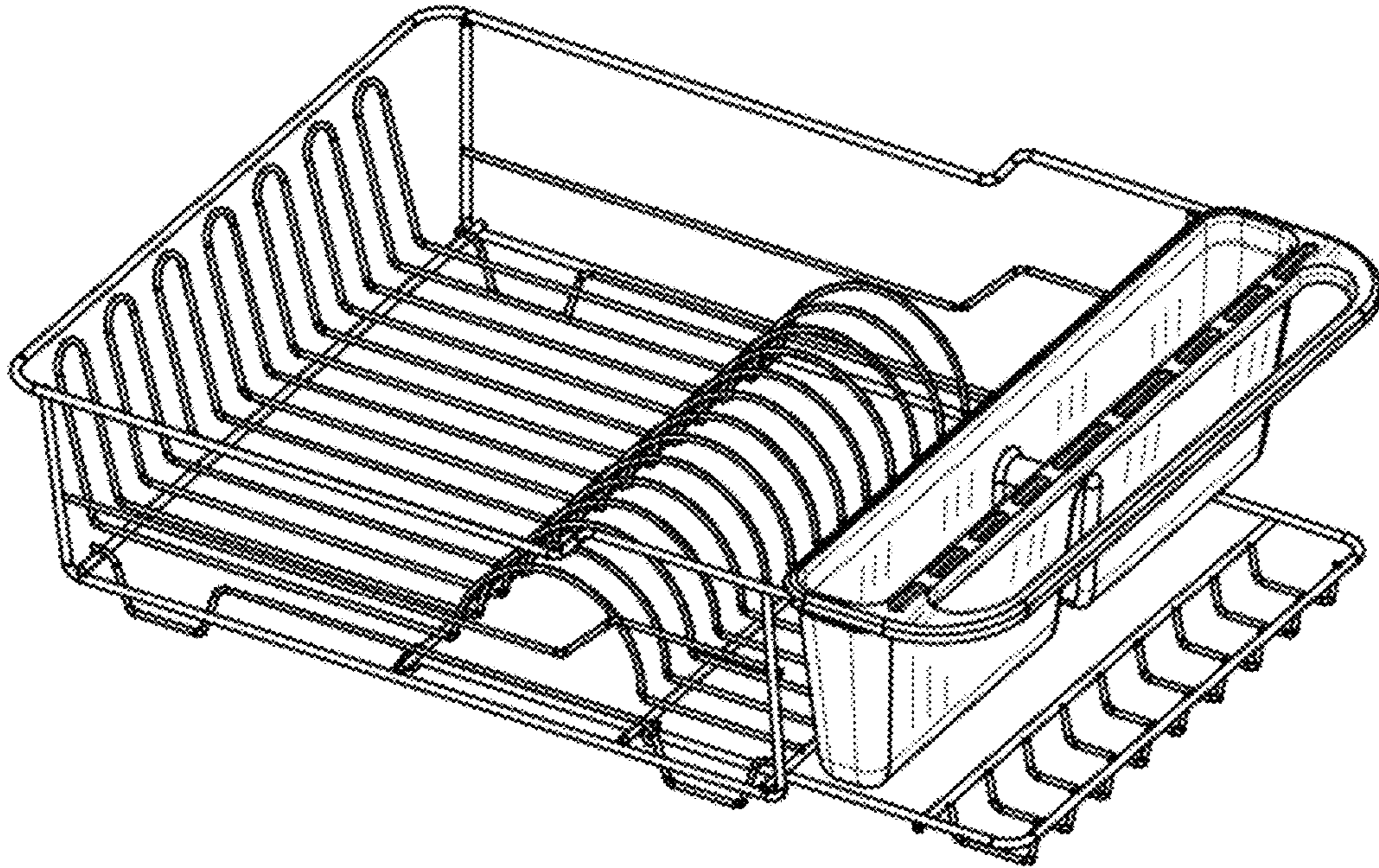


FIGURE 2

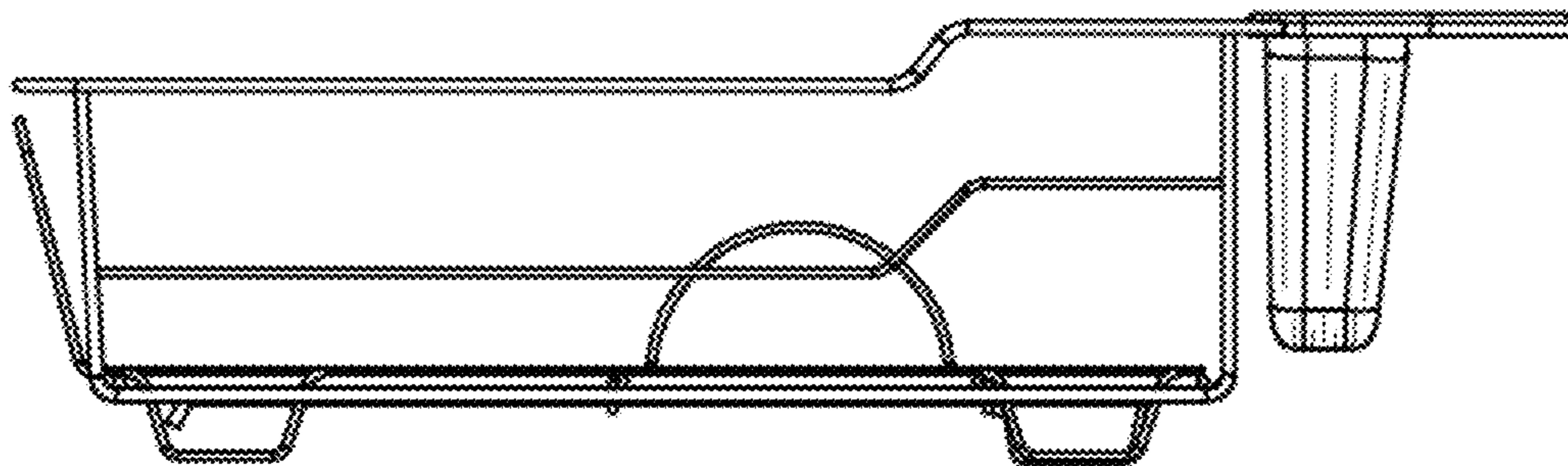


FIGURE 3

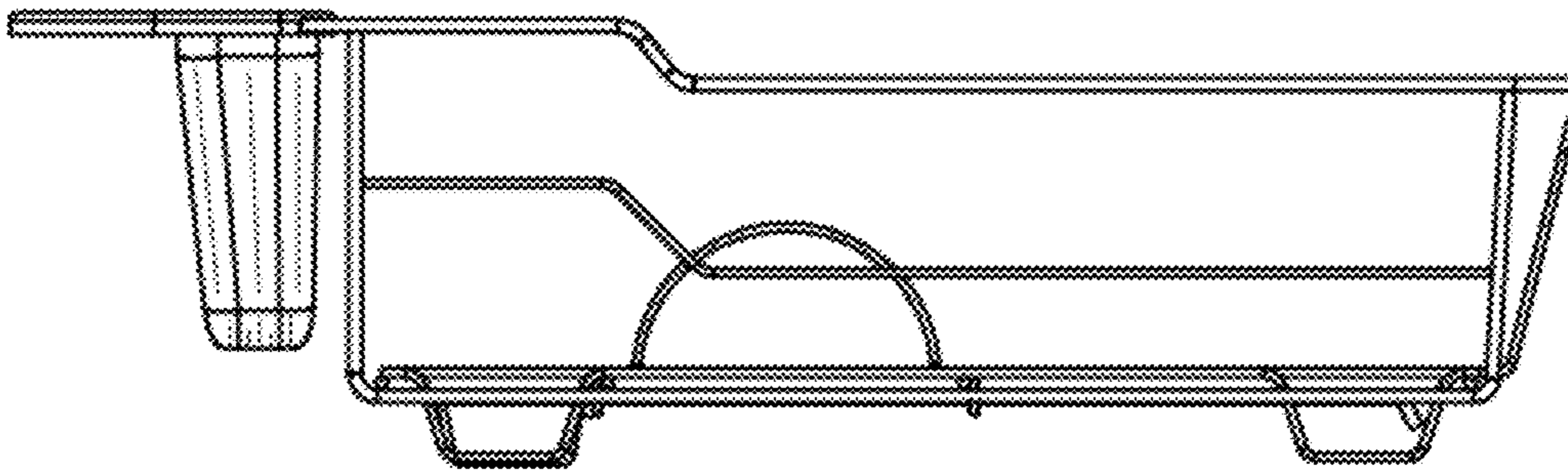


FIGURE 4

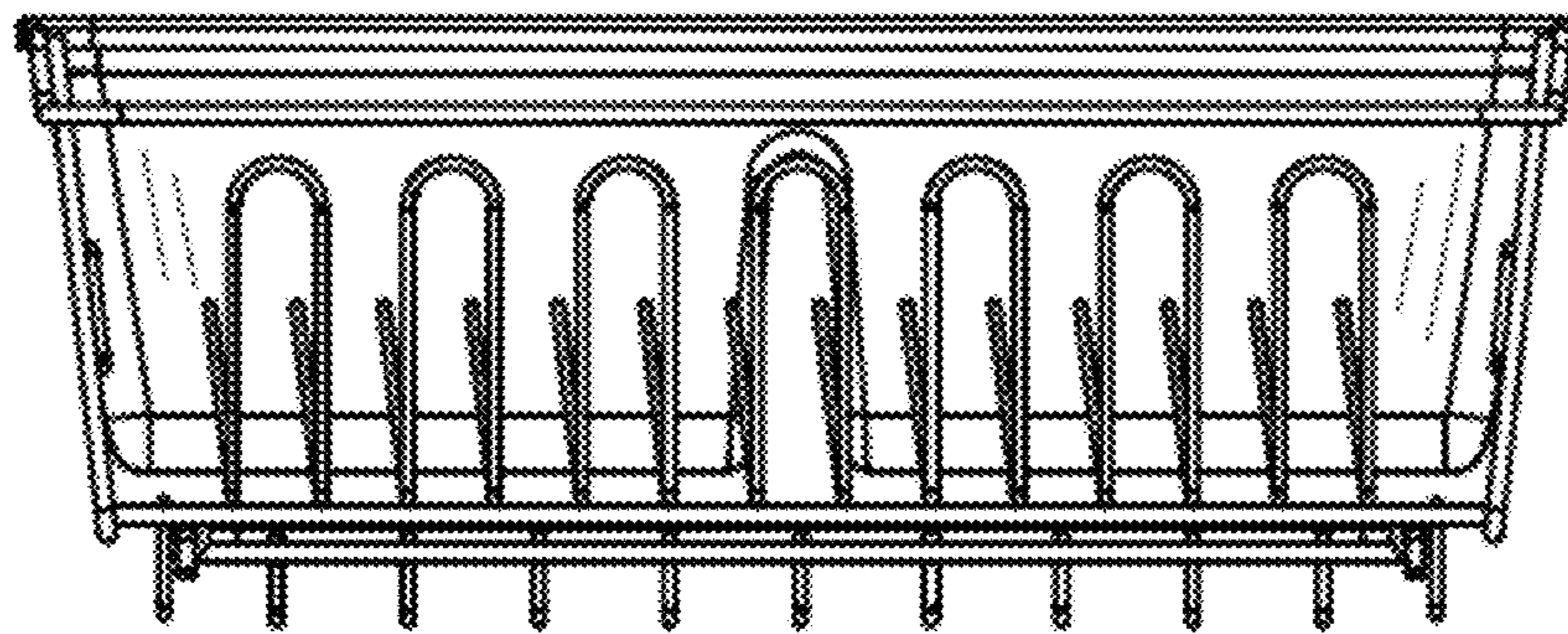


FIGURE 5

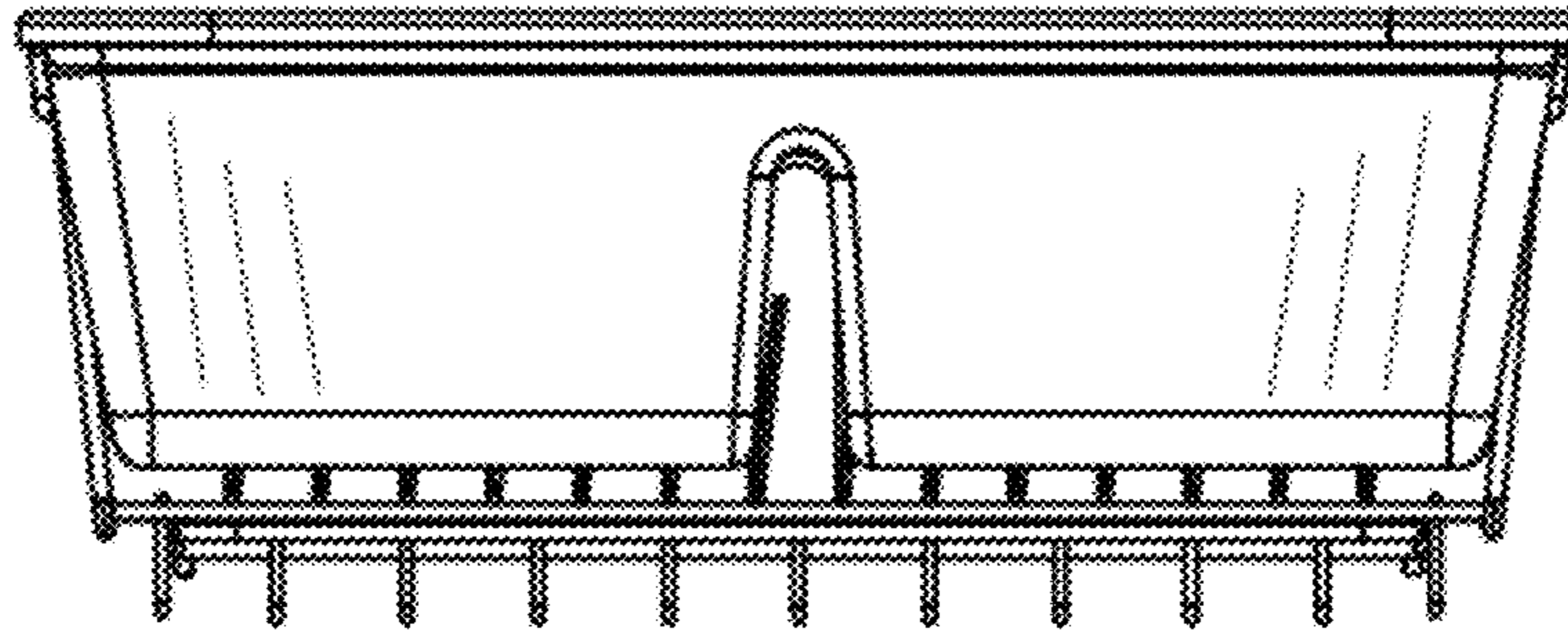


FIGURE 6

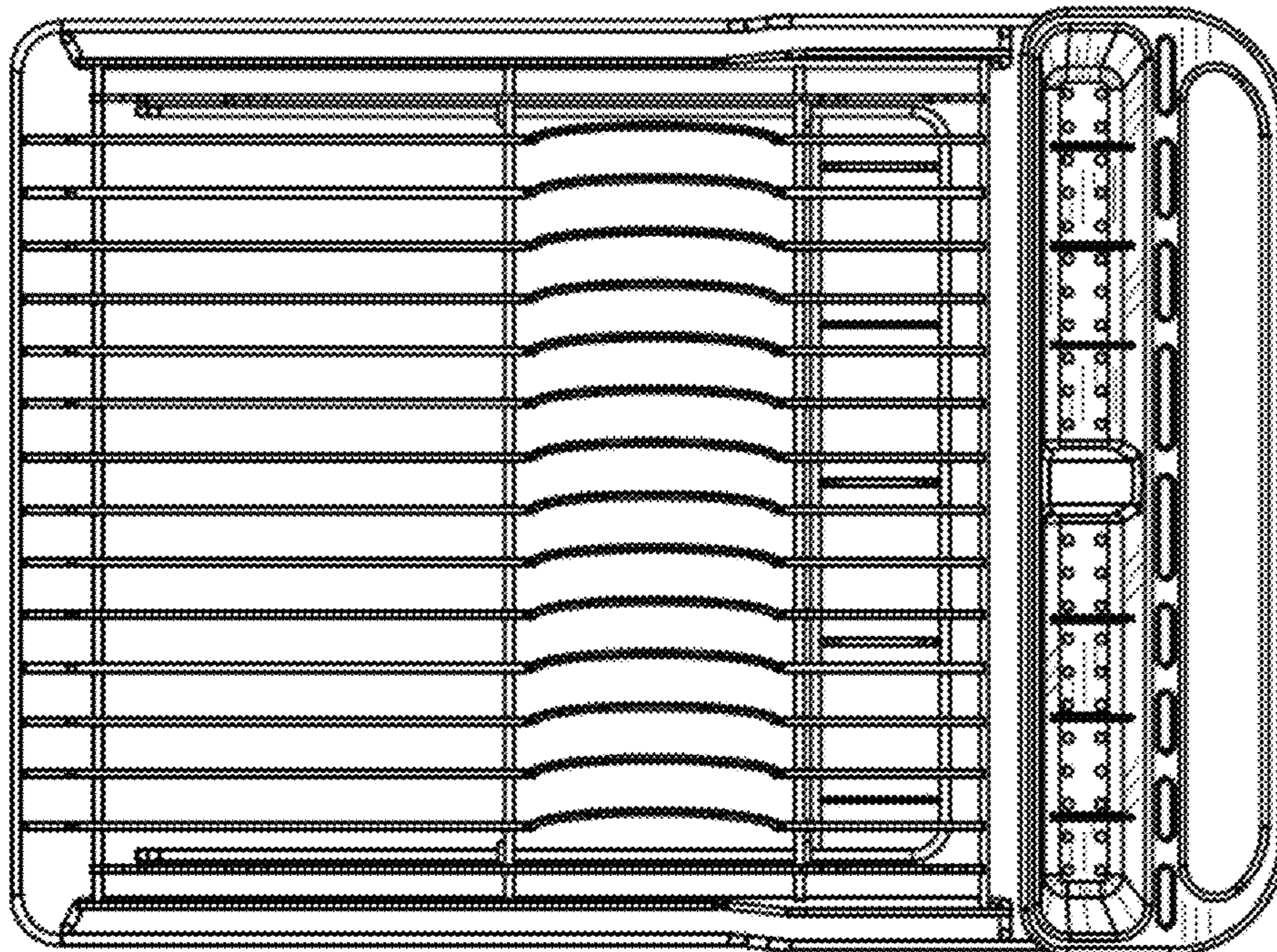


FIGURE 7

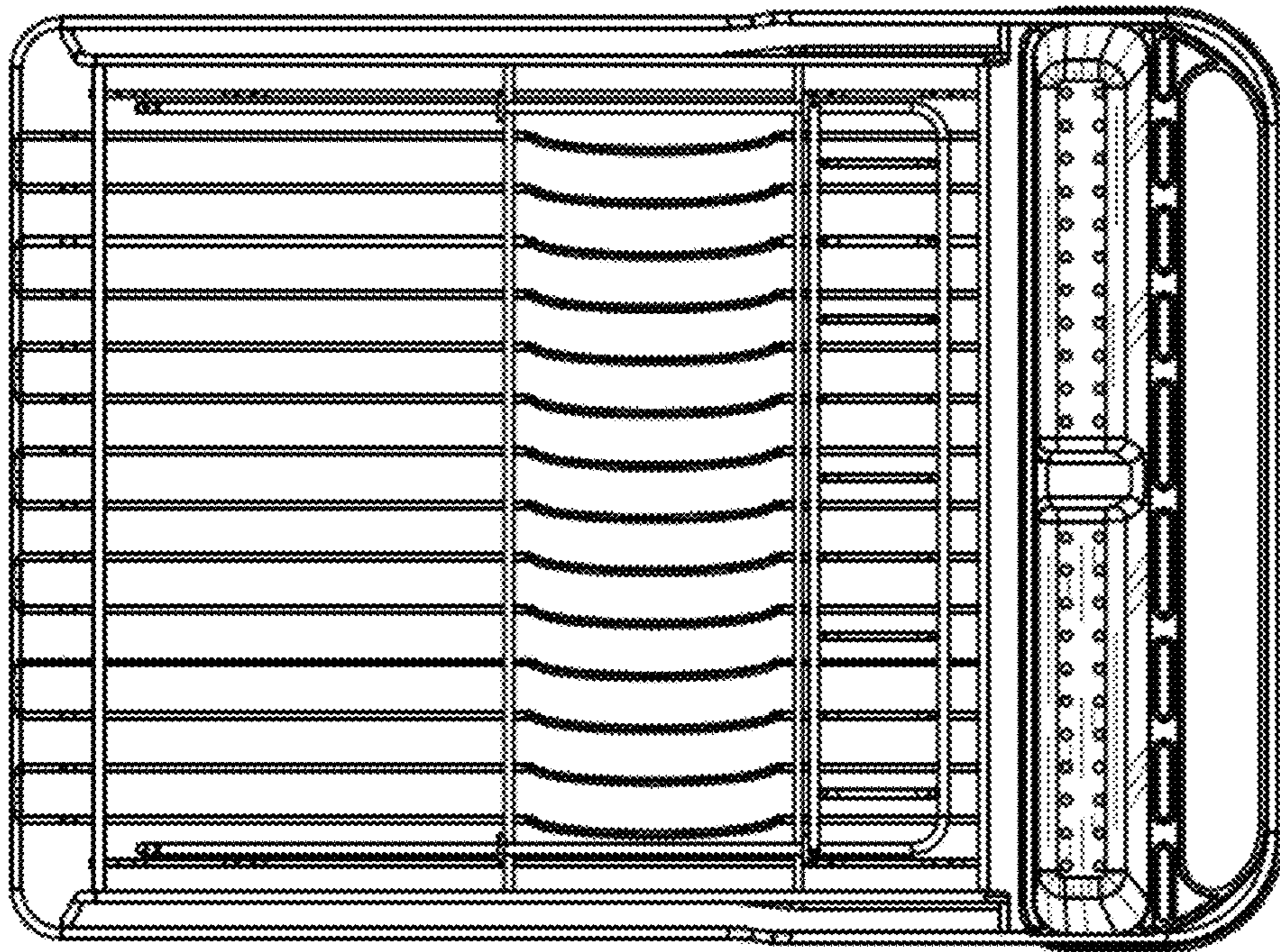


FIGURE 8