



US00D783212S

(12) **United States Design Patent**
Jeon et al.

(10) **Patent No.:** **US D783,212 S**

(45) **Date of Patent:** **** Apr. 4, 2017**

(54) **WASHING MACHINE**

(71) Applicant: **LG ELECTRONICS INC.**, Seoul (KR)

(72) Inventors: **Hoil Jeon**, Seoul (KR); **Yeji Um**, Seoul (KR); **Hyerim An**, Seoul (KR); **Jaemyung Lim**, Seoul (KR); **Jeaseok Seong**, Seoul (KR)

(73) Assignee: **LG ELECTRONICS INC.**, Seoul (KR)

(**) Term: **15 Years**

(21) Appl. No.: **29/551,336**

(22) Filed: **Jan. 12, 2016**

(30) **Foreign Application Priority Data**

Jul. 15, 2015 (KR) 30-2015-0035692

(51) **LOC (10) Cl.** **15-05**

(52) **U.S. Cl.**
USPC **D32/6**

(58) **Field of Classification Search**
USPC D32/1, 5, 6, 8, 12, 25, 28, 29
CPC D06F 33/02; D06F 39/02; D06F 2204/065;
D06F 25/00; D06F 35/006; D06F 58/00;
D06F 58/02; D06F 58/04; D06F 58/20;
D06F 23/04; G05B 19/042
See application file for complete search history.

(56) **References Cited**

U.S. PATENT DOCUMENTS

2,416,405 A * 2/1947 Purpura D06F 58/02
34/134
D170,350 S * 9/1953 Bourner D32/8
4,631,934 A * 12/1986 Imanishi D06F 23/04
68/154

D289,212 S * 4/1987 Nakamura D32/6
D300,279 S * 3/1989 Umehara D32/6
D313,679 S * 1/1991 Sakamoto D32/6
5,783,918 A * 7/1998 Choi G05B 19/042
312/319.5
D422,387 S * 4/2000 Mutoh D32/25
D465,307 S * 11/2002 Du D32/6
D470,632 S * 2/2003 Oda D32/6
D479,373 S * 9/2003 Silva D32/25
D481,499 S * 10/2003 Moreira da Silva D32/25
D492,073 S * 6/2004 Sneddon D32/6
D516,258 S * 2/2006 Matsusaki D32/1
D519,692 S * 4/2006 Jun D32/6
D521,197 S * 5/2006 Kim D32/8
D537,991 S * 3/2007 Jun D32/6
D547,915 S * 7/2007 Jun D32/6

(Continued)

Primary Examiner — Michael A. Pratt

Assistant Examiner — Michelle E Wilson

(74) *Attorney, Agent, or Firm* — Dentons US LLP

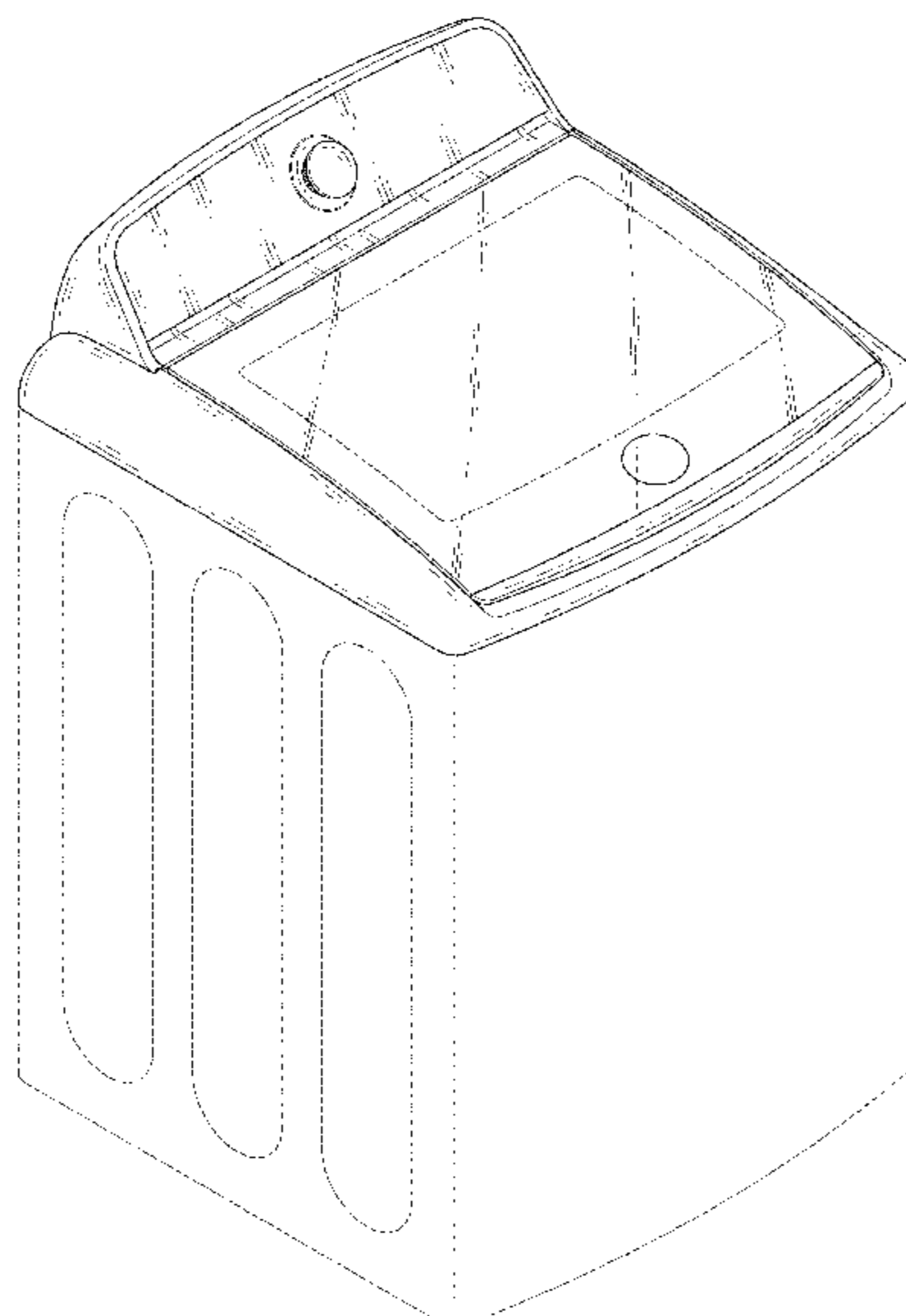
(57) **CLAIM**

We claim the ornamental design for a washing machine, as shown and described.

DESCRIPTION

FIG. 1 is a perspective view of a washing machine showing our new design;
FIG. 2 is a front elevation view thereof;
FIG. 3 is a rear elevation view thereof;
FIG. 4 is a left-side elevation view thereof;
FIG. 5 is a right-side elevation view thereof;
FIG. 6 is a top plan view thereof;
FIG. 7 is a bottom plan view thereof; and,
FIG. 8 is a perspective view thereof in a use condition.
The broken lines in the drawing figures are included for the purpose of illustrating environment and form no part of the claimed design.

1 Claim, 7 Drawing Sheets



(56)

References Cited

U.S. PATENT DOCUMENTS

D557,466 S	*	12/2007	Suh	D32/6
D583,114 S	*	12/2008	Jeon	D32/8
D642,753 S	*	8/2011	Ha	D32/6
D658,340 S	*	4/2012	Jeon	D32/6
D663,907 S	*	7/2012	Jeon	D32/6
D663,908 S	*	7/2012	Jeon	D32/6
D664,313 S	*	7/2012	Chung	D32/6
D703,887 S	*	4/2014	Lee	D32/8
D729,467 S	*	5/2015	Jee	D32/6
D730,597 S	*	5/2015	Jeon	D32/8
D738,582 S	*	9/2015	Chung	D32/6

* cited by examiner

FIG. 1

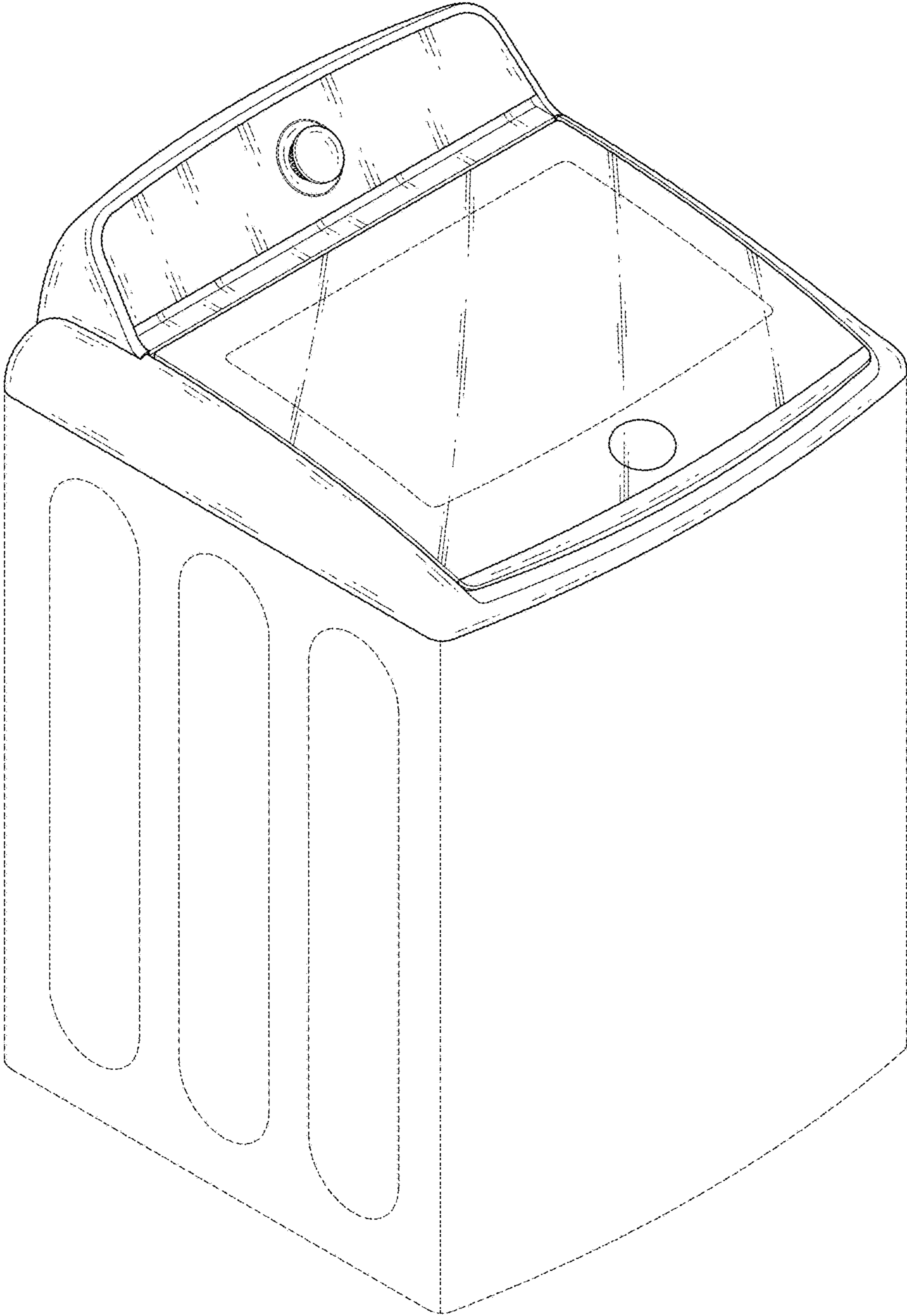


FIG. 2

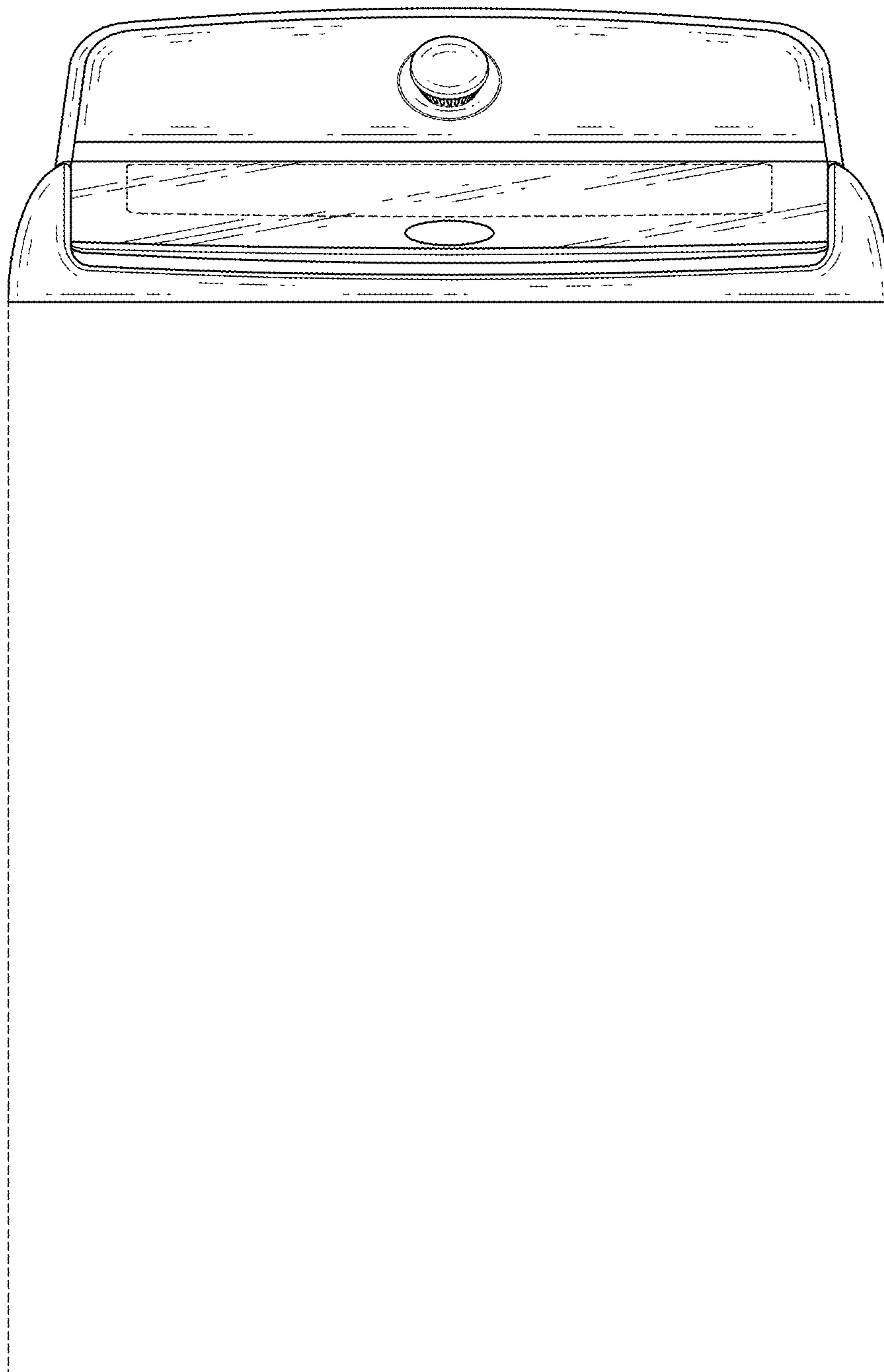


FIG. 3

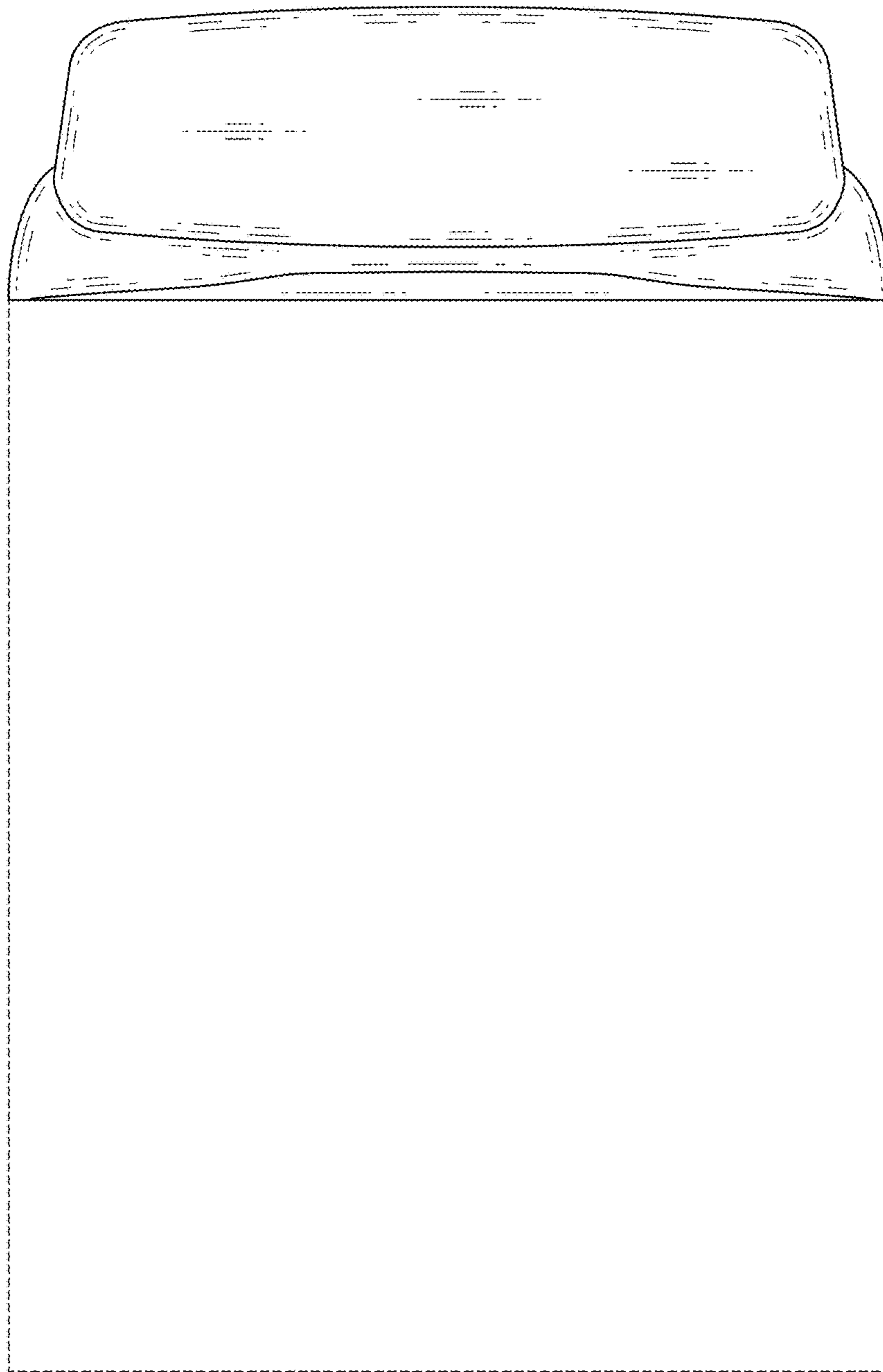


FIG. 4

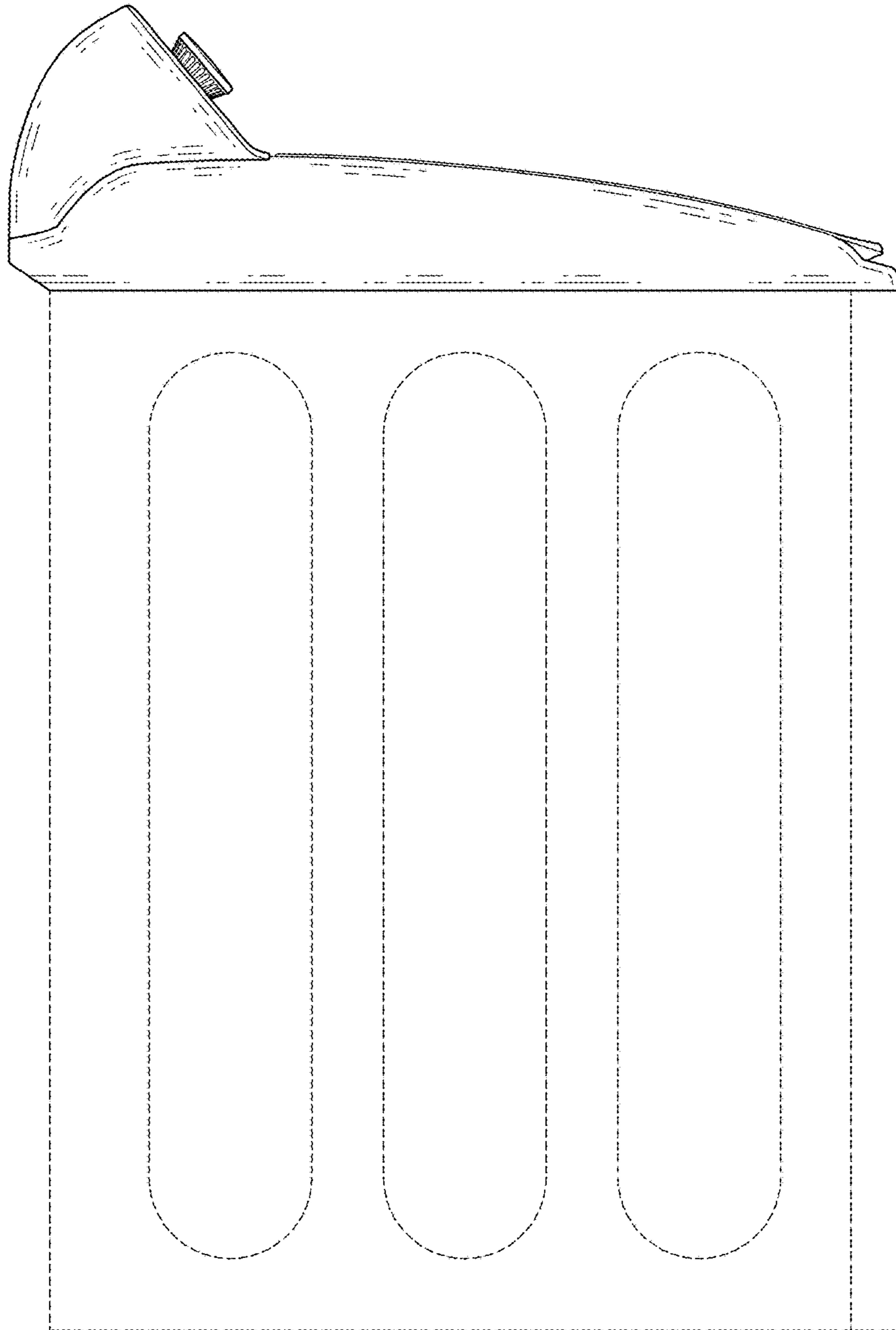


FIG. 5

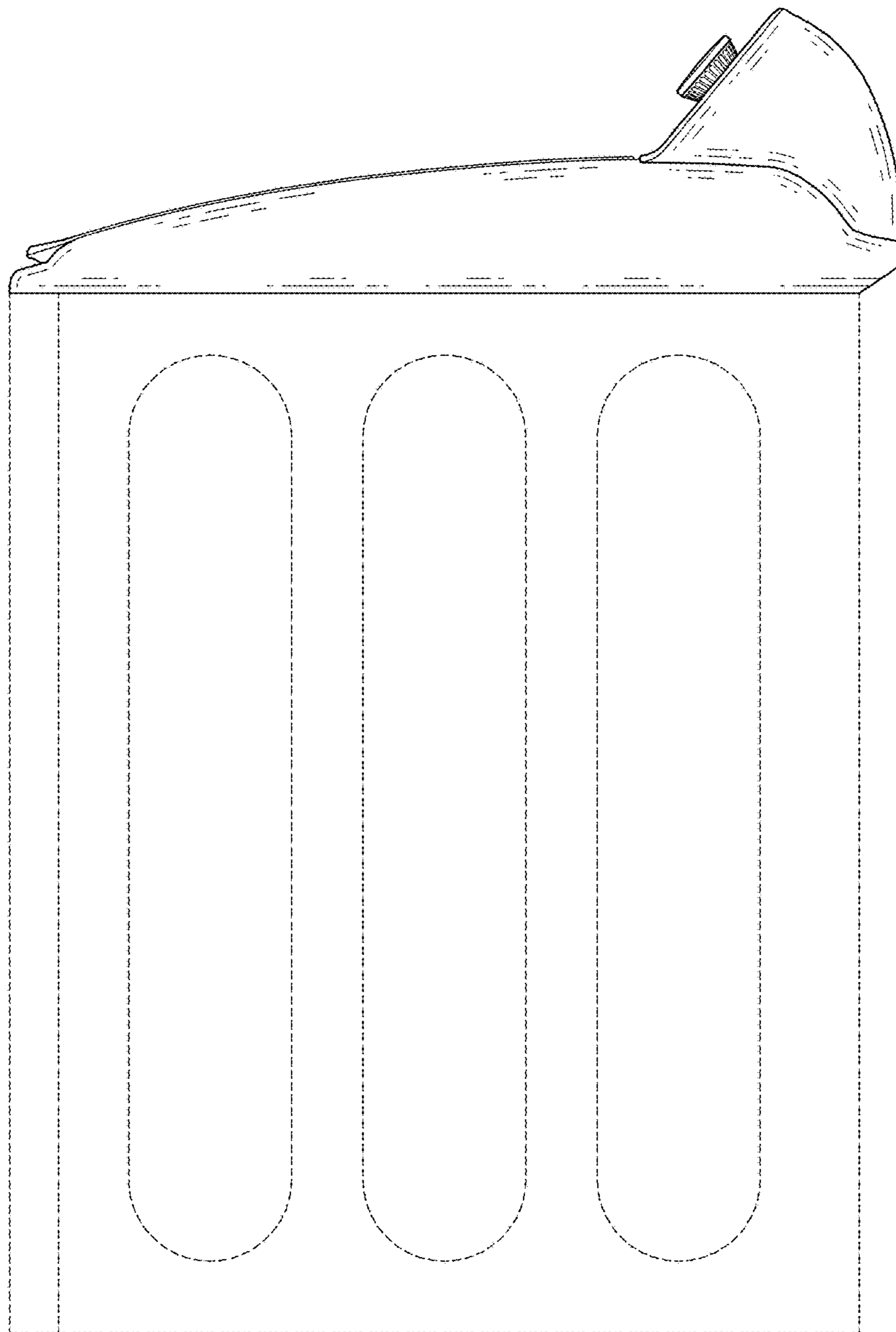


FIG. 6

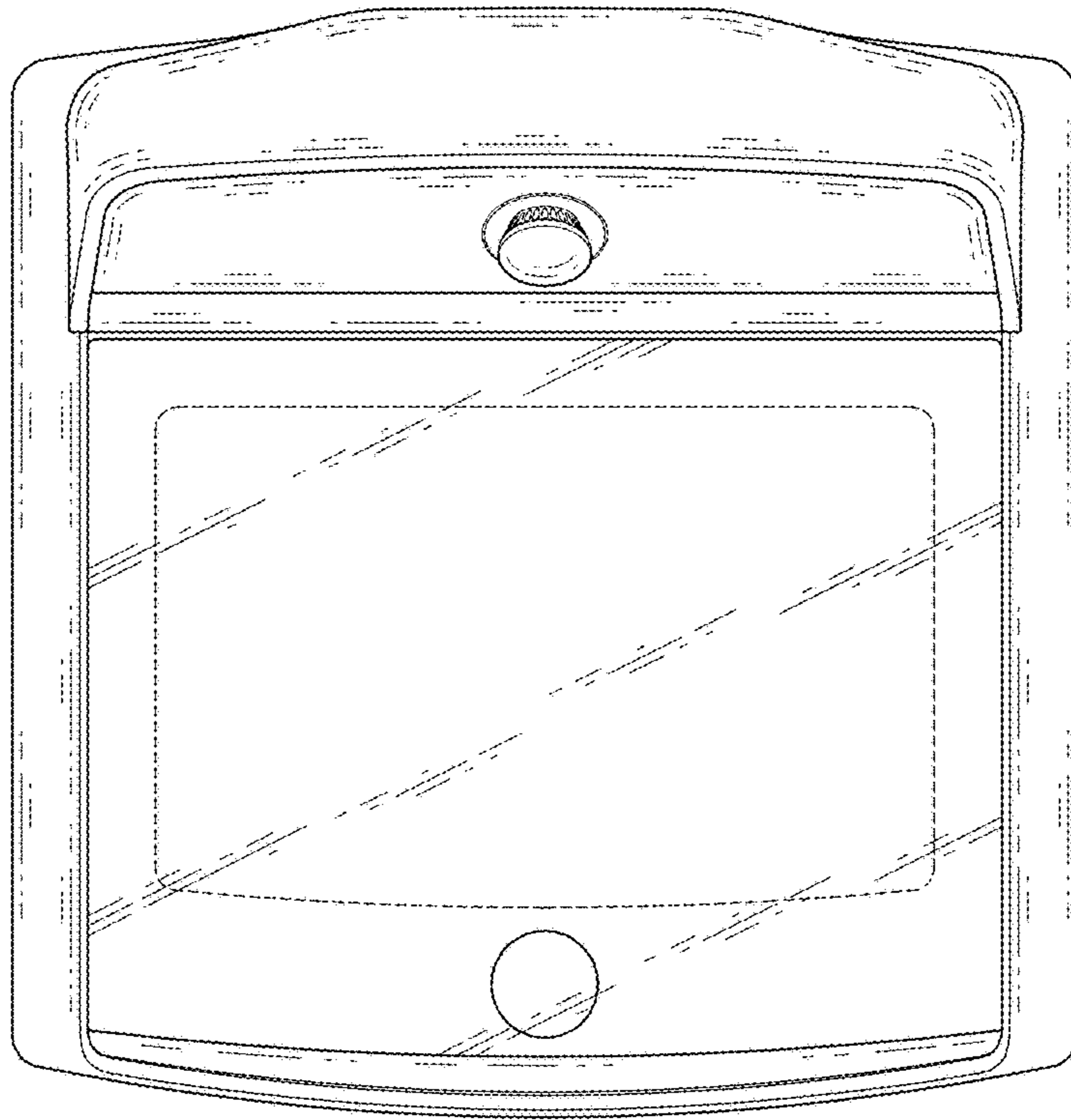


FIG. 7

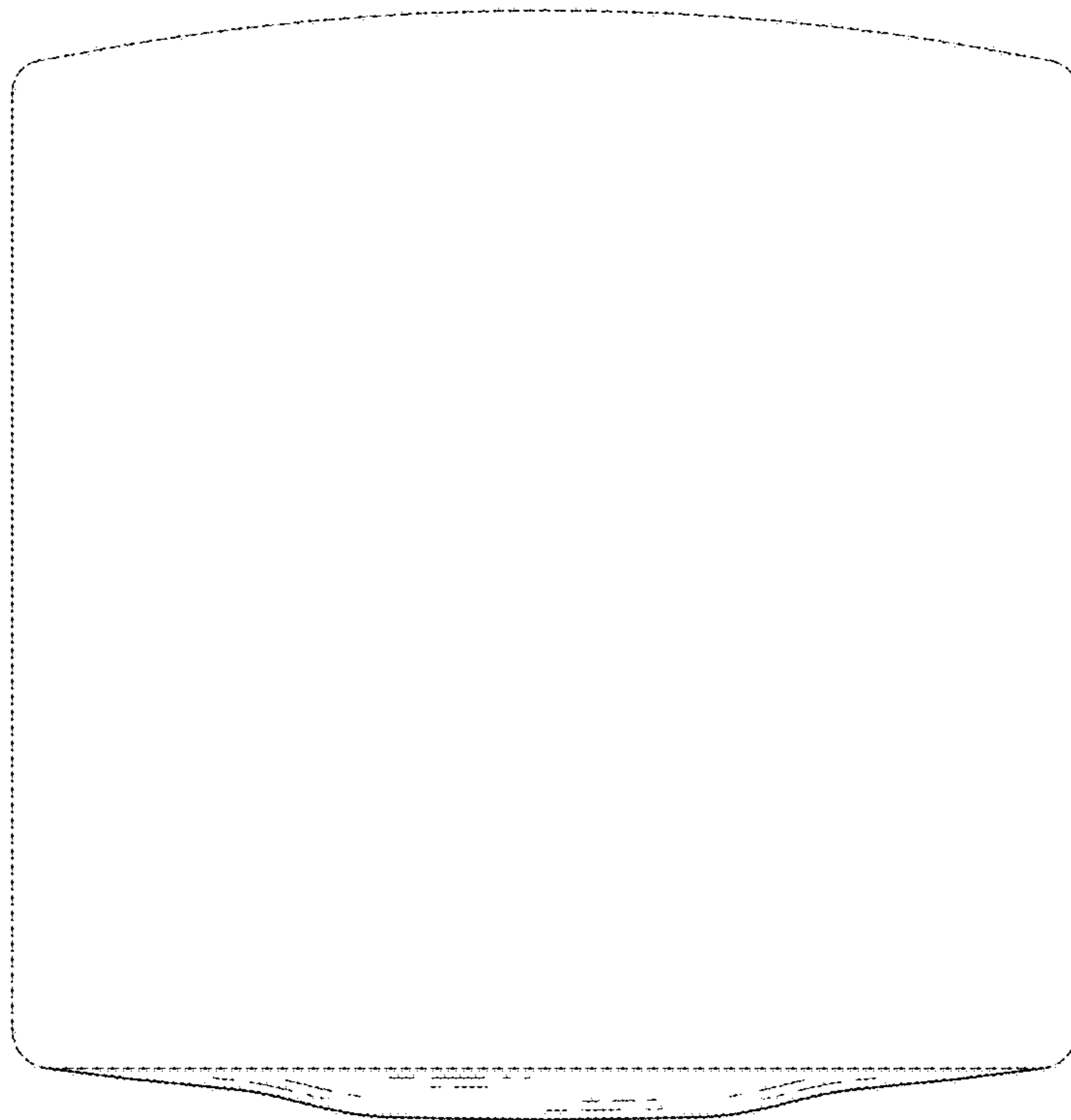


FIG. 8

