



US00D783209S

(12) **United States Design Patent**  
**Morris**

(10) **Patent No.:** **US D783,209 S**

(45) **Date of Patent:** **\*\* Apr. 4, 2017**

(54) **TELESCOPIC PET FOOD FUNNEL WITH HANDLE**

(71) Applicant: **Kerry Morris**, Chicago, IL (US)

(72) Inventor: **Kerry Morris**, Chicago, IL (US)

(\*\*) Term: **15 Years**

(21) Appl. No.: **29/557,276**

(22) Filed: **Mar. 8, 2016**

(51) **LOC (10) Cl.** ..... **30-07**

(52) **U.S. Cl.**  
USPC ..... **D30/121; D30/199; D7/700**

(58) **Field of Classification Search**

USPC ..... D30/121–133, 108, 199; D7/700, 400, D7/621, 507, 300.2, 589; D15/150, 152; D8/1, 2; D24/121–123; D6/457, 462, D6/459; D11/146; D23/259–266, 200, D23/233; D34/6; 119/52.1–52.4, 119/51.01–51.04, 57.91, 57.8, 57.9, 51.5, 119/53.5, 51.11–51.14, 53–55, 76; 99/495–499, 506, 508; 285/319, 155, 285/179; 141/297–300, 331–345, 141/199–205, 384, 386, 95, 98; 604/327–329, 331, 346–349; 47/48.5, 47/40.5, 44, 47, 49; 403/205; 111/106, 111/7.1, 92; 221/174, 460, 462; 73/294; 137/433

CPC ..... B65B 1/06; B65B 39/00; B65B 39/001–39/005; B65B 39/007; B65B 39/02; B65B 39/04; B65B 39/06; B65B 39/08; B65B 39/10; B65B 39/12; B65B 39/14; B67C 11/00; B67C 11/02; B67C 11/04; B67C 11/06; B67C 11/063; B67C 11/066; B67C 2011/022; B67C 2011/025; B67C 2011/027; B67C 3/34; B67C 2003/268; B67C 2003/2682; B01D 23/28; A01K 5/00; A01K 5/0107; A01K 5/0114; A01K 5/0121; A01K 5/0135; A01K 5/0142; A01K 5/02; A01K 5/0216; A01K

5/0225; A01K 5/0233; A01K 5/0241; A01K 5/0275; A01K 5/0283; A01K 7/02; A01K 7/00; A01K 7/005; A01K 7/06; A01K 39/02; A01K 39/04; A01K 39/06; A47J 31/00; A47J 31/002; A47J 31/005; A47J 31/007; A47J 31/02; A47J 31/06; A47J 31/0621; A47J 31/0626

See application file for complete search history.

(56) **References Cited**

U.S. PATENT DOCUMENTS

39,346 A \* 7/1863 Hillman ..... B67C 11/04  
141/344  
42,356 A \* 4/1864 Dubber ..... B67C 11/04  
141/344  
62,376 A \* 2/1867 Soggs ..... A01C 7/02  
111/95  
64,825 A \* 5/1867 Elward ..... B67C 11/04  
141/345

(Continued)

FOREIGN PATENT DOCUMENTS

CN 202116280 U 1/2012

*Primary Examiner* — Susan Moon Lee

(57) **CLAIM**

I claim the ornamental design for a telescopic pet food funnel with handle, as shown and described.

**DESCRIPTION**

FIG. 1 is a front view of the telescopic pet food funnel with handle.

FIG. 2 is a left side view thereof;

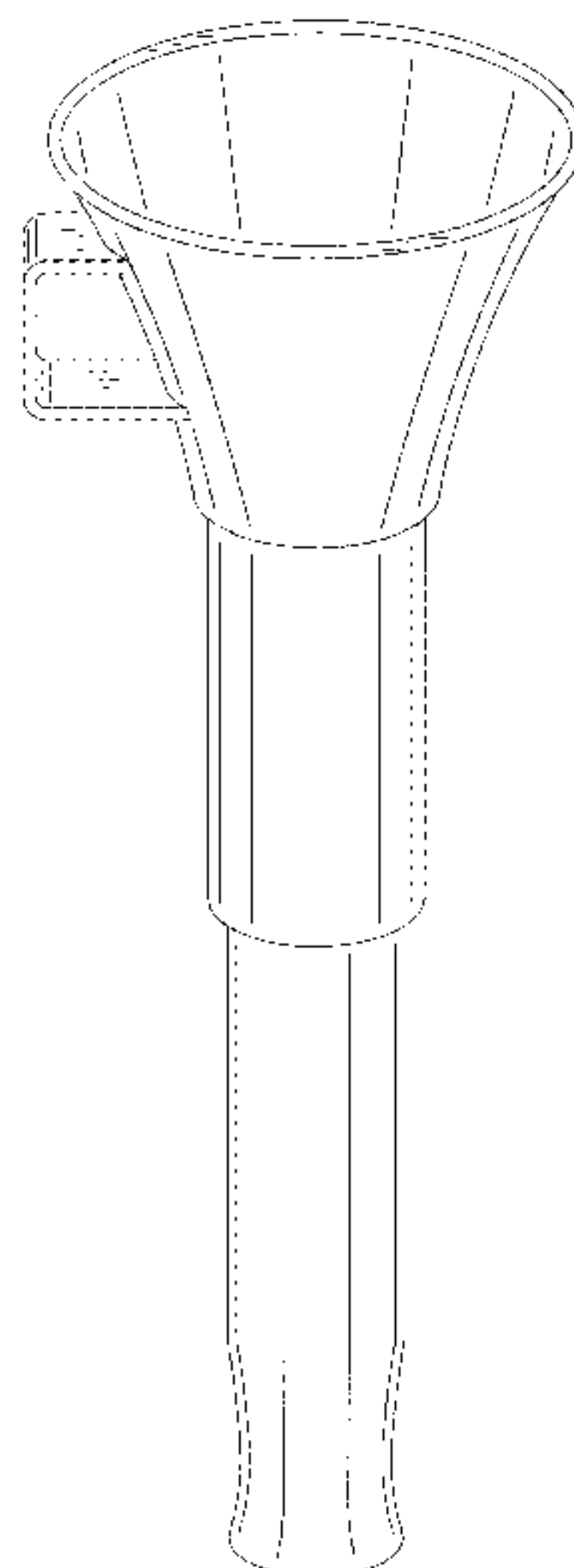
FIG. 3 is a right side view thereof;

FIG. 4 is a top view thereof;

FIG. 5 is a bottom view thereof; and,

FIG. 6 is a perspective view thereof.

**1 Claim, 5 Drawing Sheets**







# US D783,209 S

(56)

## References Cited

### U.S. PATENT DOCUMENTS

4,995,327	A *	2/1991	Jeffers, Sr. ....	A01C 7/02 111/106	6,568,440	B1 *	5/2003	Engelbrecht .....	F01M 11/04 141/331
4,997,402	A *	3/1991	Blease .....	A01M 31/004 116/137 R	6,959,664	B1 *	11/2005	Keuter .....	A01K 5/0225 119/51.01
D331,865	S *	12/1992	Parker .....	47/70	7,055,717	B1 *	6/2006	Koh .....	A61J 7/02 221/289
5,170,729	A *	12/1992	Benner .....	A01C 5/02 111/7.2	7,237,582	B1 *	7/2007	Harvey .....	B65B 39/02 141/330
D334,120	S *	3/1993	Faught .....	D7/700	7,299,834	B1 *	11/2007	Platt .....	B67C 11/063 141/301
5,195,567	A *	3/1993	Tyree, Jr. ....	B67C 11/02 141/297	D559,048	S *	1/2008	McKenzie .....	D15/150
D336,554	S *	6/1993	Reeder .....	D30/121	D559,470	S *	1/2008	Stevens .....	D30/121
D338,600	S *	8/1993	Baezzo .....	D8/1	D560,105	S *	1/2008	McKenzie .....	D15/150
5,233,941	A *	8/1993	Ayliffe, Jr. ....	A01K 5/0241 119/57.91	D562,091	S *	2/2008	Ben Shlomo .....	D7/700
5,234,368	A *	8/1993	Carraway .....	A01M 31/004 446/202	D566,489	S *	4/2008	Repp	
D340,467	S *	10/1993	Pollak .....	D15/150	D570,385	S *	6/2008	Chuo .....	D15/143
D341,149	S *	11/1993	Pollak .....	141/331	D578,255	S *	10/2008	Walsh .....	D30/129
5,267,412	A *	12/1993	Bergin .....	A01G 29/00 47/48.5	D604,106	S *	11/2009	Gold .....	D7/518
5,293,912	A *	3/1994	Wildash .....	A47G 23/00 141/106	7,614,432	B2 *	11/2009	Shaw .....	B65B 39/001 141/345
D346,877	S *	5/1994	Melograno .....	D27/168	7,627,982	B2 *	12/2009	Beasley .....	A01C 23/026 47/48.5
5,311,838	A *	5/1994	Thomas .....	A01K 5/0225 119/51.5	D616,618	S *	5/2010	Pearcey .....	D30/162
D348,275	S *	6/1994	Zimmerman .....	D15/150	D620,107	S *	7/2010	Bartlett .....	D24/112
5,349,997	A *	9/1994	Rial		7,770,614	B2 *	8/2010	Ben Shlomo .....	B67C 11/04 141/1
D353,186	S *	12/1994	Browning .....	D8/1	D627,879	S *	11/2010	Bruns .....	D24/122
5,372,093	A *	12/1994	Pooshs .....	A01K 5/0291 119/51.11	7,874,326	B1 *	1/2011	Harvey .....	B65B 39/001 141/330
5,410,986	A *	5/1995	Washam .....	A01K 39/012 119/52.2	D640,905	S *	7/2011	Shaljian .....	D8/1
D359,889	S *	7/1995	Hayes .....	D8/1	7,987,816	B1 *	8/2011	Walsh .....	A01K 5/0114 119/61.5
D364,540	S *	11/1995	Wasyln .....	D7/700	8,007,492	B2 *	8/2011	DiPoto .....	A61B 17/0218 606/1
5,471,939	A *	12/1995	Chancey .....	A01C 5/02 111/107	D662,654	S *	6/2012	Trudnowski .....	D27/167
D366,632	S *	1/1996	Gaumer .....	47/41.11	D668,511	S *	10/2012	Messersmith .....	D8/1
D371,601	S *	7/1996	Markles .....	D24/122	D670,452	S *	11/2012	Caruso .....	D30/130
D380,481	S *	7/1997	Pournaghdi .....	D15/150	8,317,817	B2 *	11/2012	Davison .....	A61B 17/0218 606/198
5,661,926	A *	9/1997	Granger		D671,810	S *	12/2012	Densmore .....	D8/14
5,685,352	A *	11/1997	Faught .....	B67C 11/02 141/331	8,479,686	B2	7/2013	Johnson	
5,720,329	A *	2/1998	Clarke, Jr. ....	A01M 1/20 141/331	D703,811	S *	4/2014	Ludert .....	D24/122
5,768,327	A *	6/1998	Pinto .....	G01V 8/20 377/10	D707,354	S *	6/2014	Seitz, III .....	D24/127
D397,002	S *	8/1998	Smith .....	D7/700	D715,606	S *	10/2014	West .....	D8/1
D398,200	S *	9/1998	Neadly .....	D8/1	D716,112	S *	10/2014	Cranstoun .....	D7/700
D400,316	S *	10/1998	Kolterman .....	D30/129	D716,616	S *	11/2014	Hughes .....	D7/700
D404,462	S *	1/1999	Otto .....	D15/199	D719,402	S *	12/2014	Khan .....	D7/397
D404,617	S *	1/1999	Mick .....	D7/700	D726,904	S *	4/2015	Haas .....	D24/127
5,901,497	A *	5/1999	Bulvin .....	A01G 29/00 47/47	D728,331	S *	5/2015	Wirth .....	D7/700
5,927,161	A *	7/1999	Clifford .....	B25B 23/0021 81/177.2	D735,934	S *	8/2015	Saikaly .....	D27/169
D413,002	S *	8/1999	Melograno .....	D27/167	9,173,375	B1 *	11/2015	Schleichardt .....	A01K 5/00
5,936,765	A *	8/1999	Walsh .....	G02B 23/16 359/399	9,247,712	B2 *	2/2016	Rausch .....	A01K 5/0233
D420,870	S *	2/2000	DeCoster .....	D10/46.2	9,346,658	B2 *	5/2016	Baughman .....	B67C 11/02
D422,193	S *	4/2000	Walker .....	D8/107	9,392,755	B1 *	7/2016	Lantis .....	A01G 27/00
D422,674	S *	4/2000	Chrisco .....	D23/200	D767,757	S *	9/2016	Hole .....	D24/121
6,059,758	A *	5/2000	Padilla .....	A61M 5/3213 604/192	D770,548	S *	11/2016	Lin .....	D15/143
D431,978	S *	10/2000	Mayhill .....	D8/1	2002/0072436	A1 *	6/2002	Liu .....	A63B 69/0002 473/457
6,129,049	A *	10/2000	Rasmussen .....	A01K 5/0241 119/52.1	2003/0127382	A1 *	7/2003	Miltenyi .....	B03C 1/025 210/198.2
D436,166	S *	1/2001	Berkey .....	D24/122	2003/0168016	A1 *	9/2003	Zolnierz .....	A01K 5/0135 119/61.54
6,370,215	B1 *	4/2002	Pinto .....	A61J 7/02 377/6	2004/0154696	A1 *	8/2004	Koncelik, Jr. ....	B60R 11/00 141/331
D457,399	S *	5/2002	Jaggernauth .....	D8/1	2006/0013926	A1 *	1/2006	Lindsey .....	B67C 11/02 426/237
6,387,072	B1 *	5/2002	Larsson .....	A61M 1/06 604/74	2006/0162629	A1 *	7/2006	Gallant .....	A01C 7/02 111/92
D473,628	S *	4/2003	Tracy .....	D23/201	2009/0320359	A1 *	12/2009	Hertlein .....	A01G 9/124 47/47
					2012/0103467	A1 *	5/2012	Polewarczyk .....	B67C 11/02 141/338

(56)

**References Cited**

U.S. PATENT DOCUMENTS

2012/0308448 A1\* 12/2012 Wong ..... A61B 10/0051  
422/558  
2014/0165848 A1\* 6/2014 Sachtleben ..... A47J 31/06  
99/323  
2015/0202766 A1\* 7/2015 Light ..... B25G 1/04  
16/429

\* cited by examiner

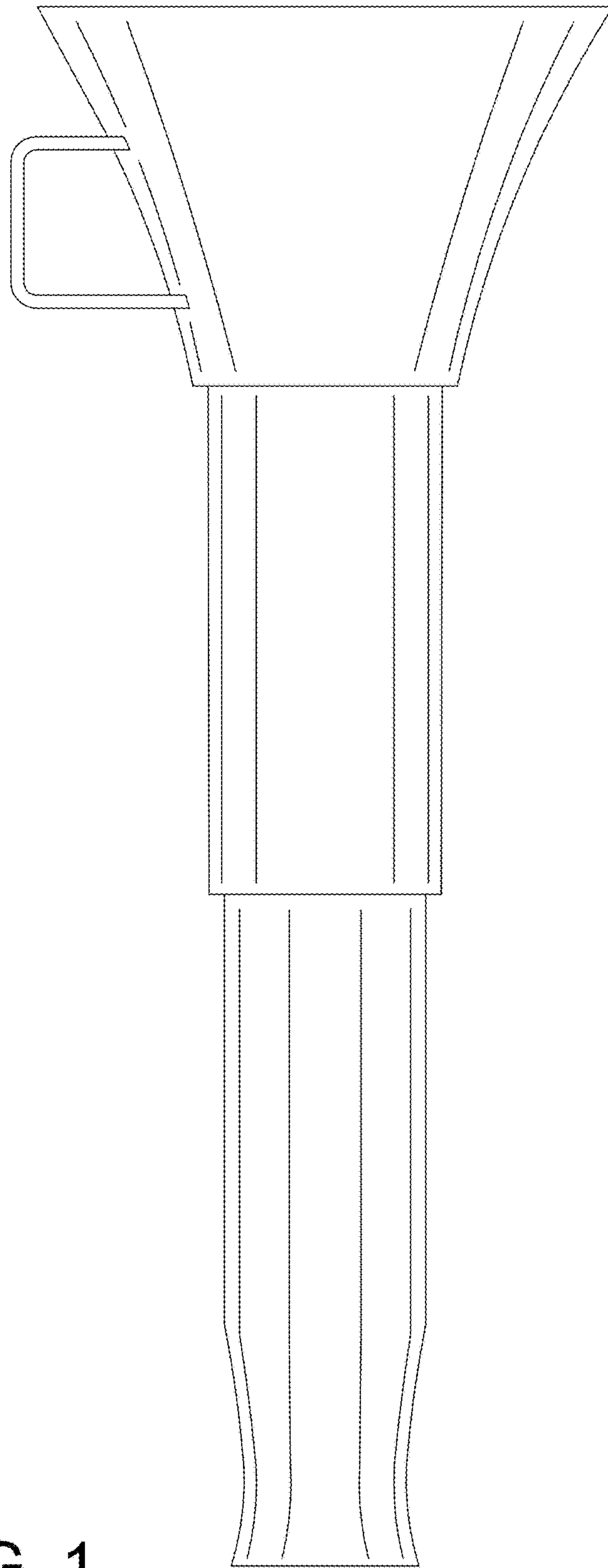


FIG. 1

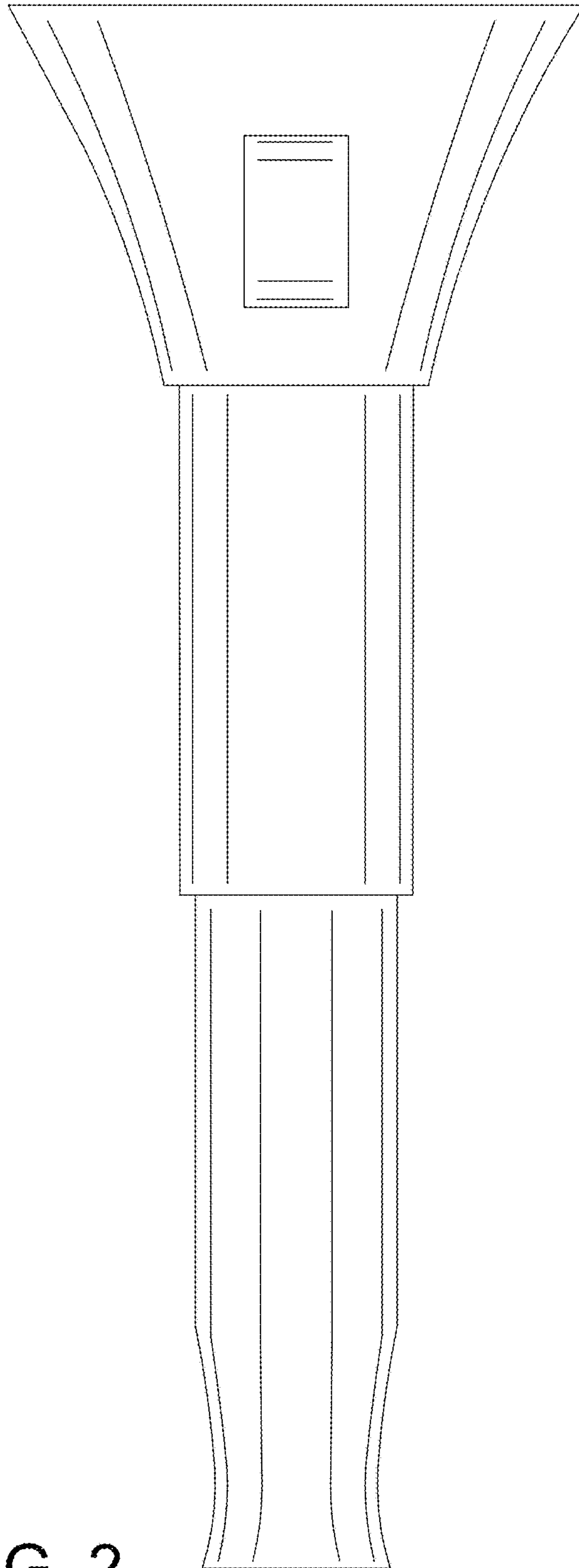


FIG. 2

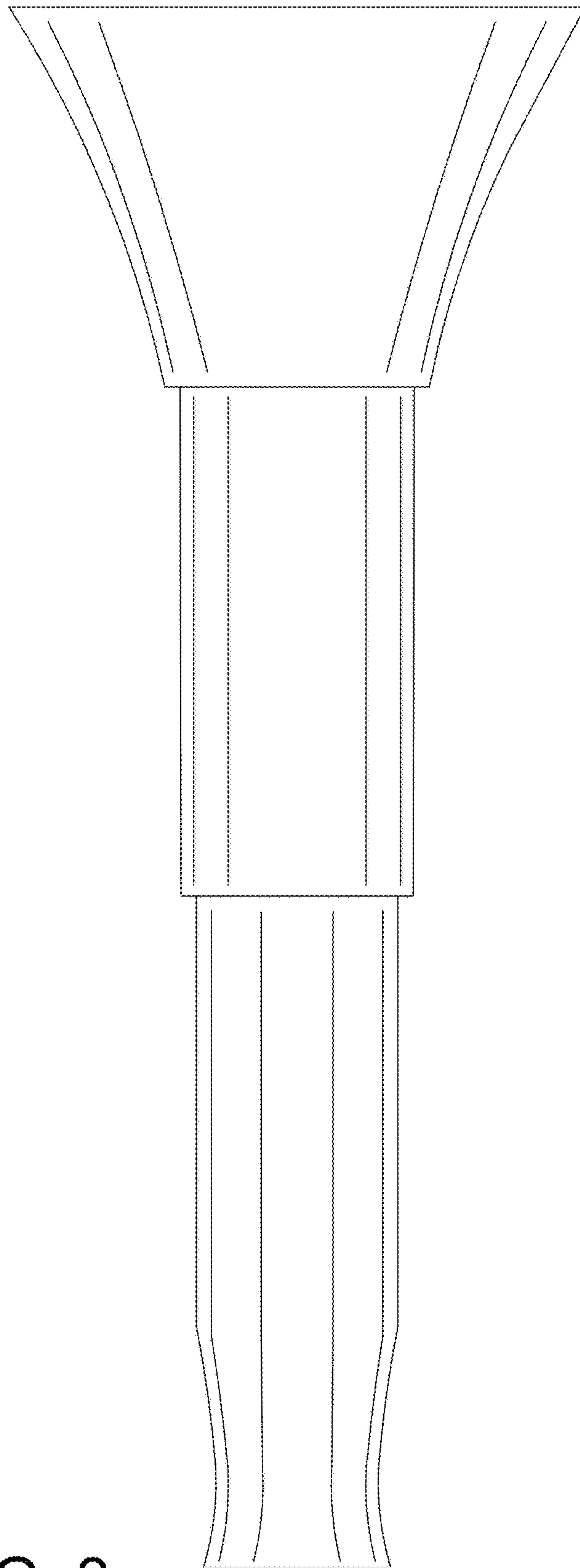


FIG. 3



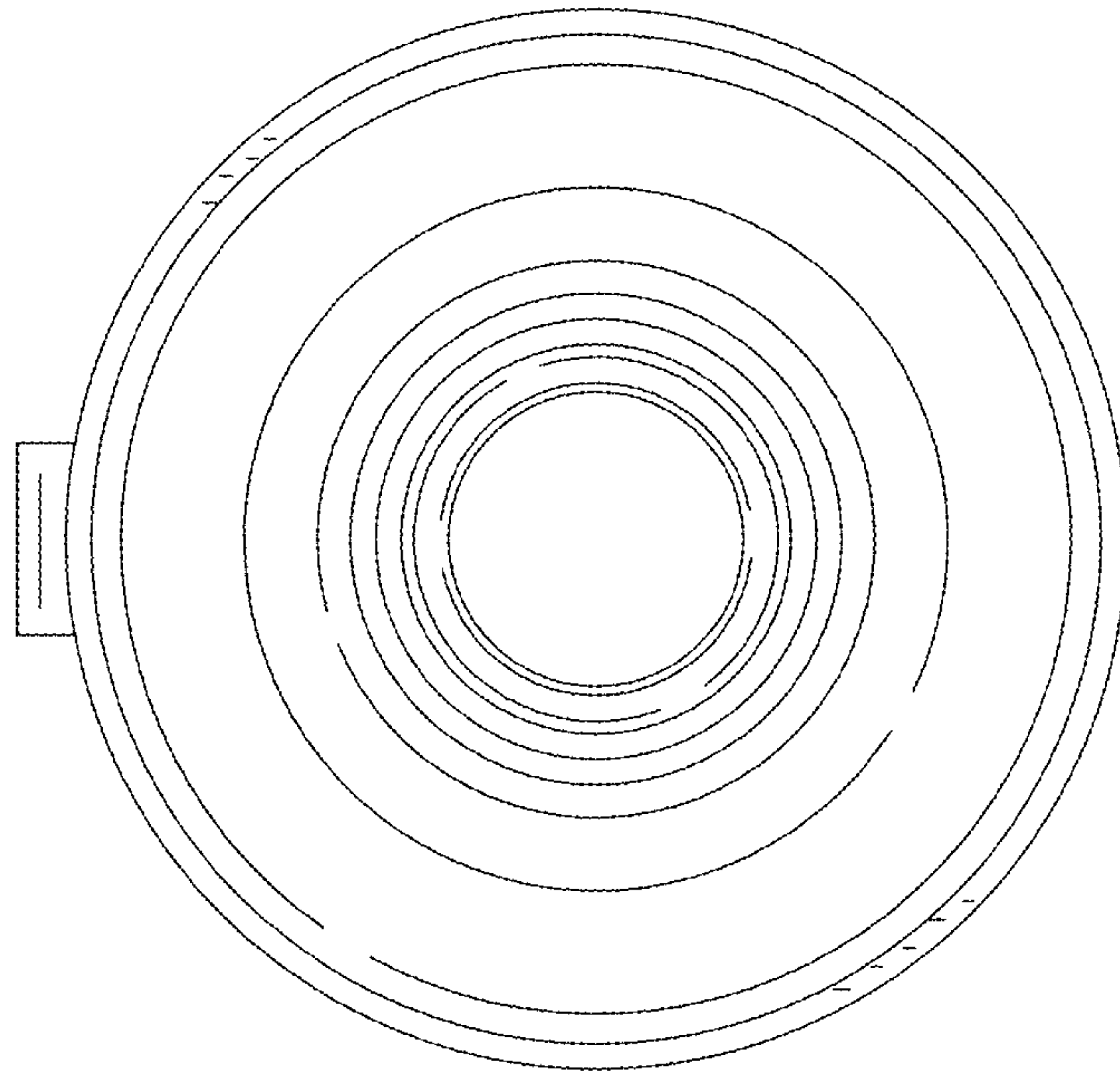


FIG. 4

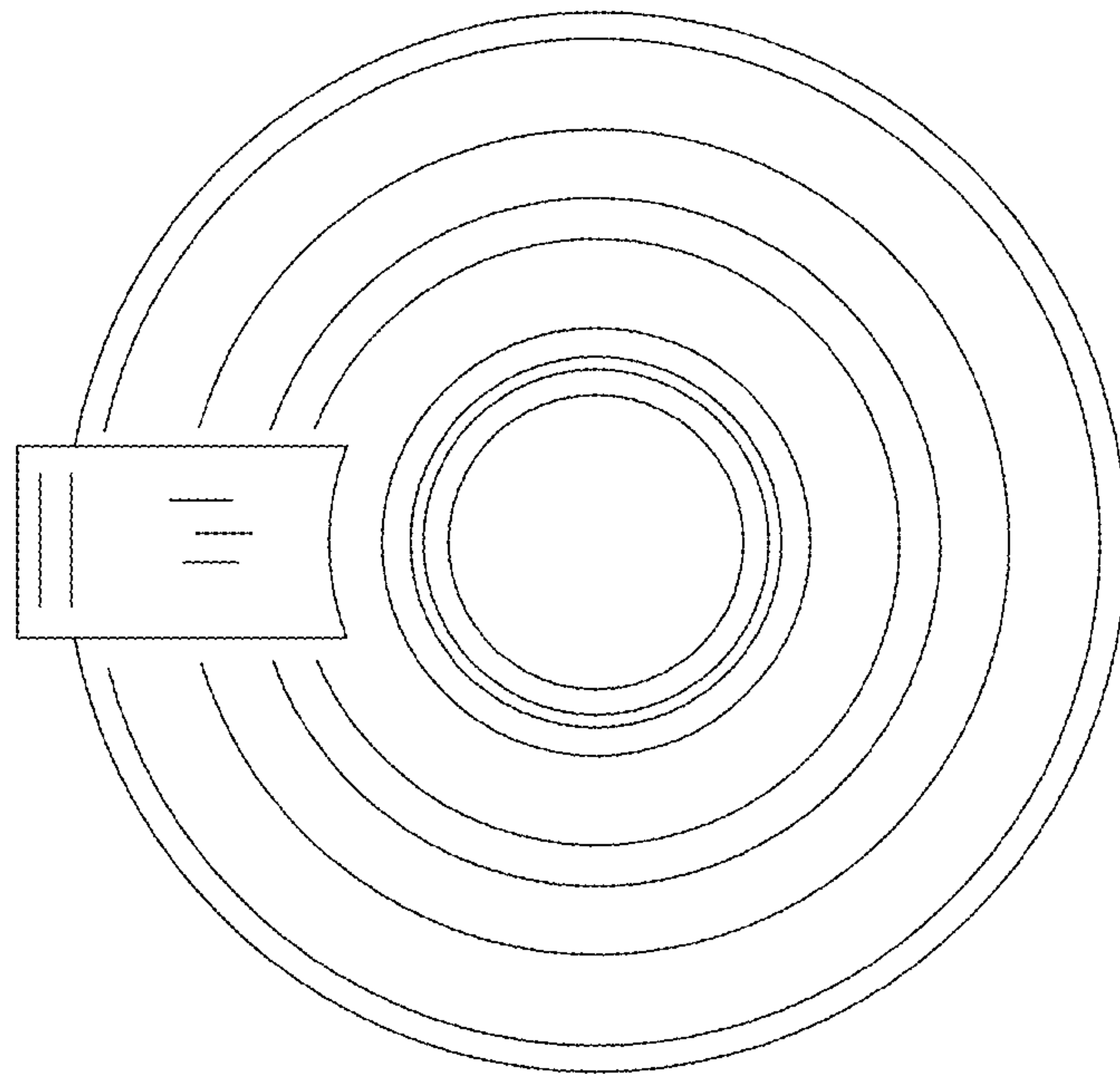


FIG. 5



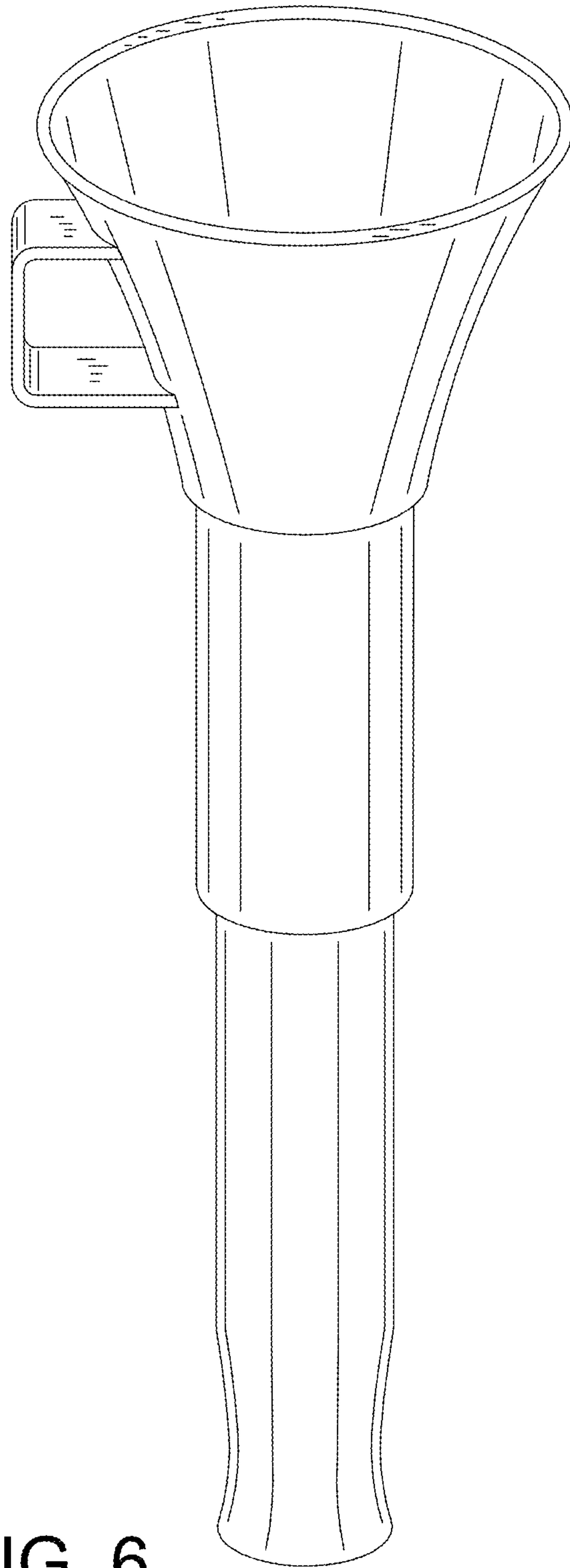


FIG. 6