



US00D783204S

(12) **United States Design Patent**
Climer et al.

(10) **Patent No.:** **US D783,204 S**

(45) **Date of Patent:** **** Apr. 4, 2017**

(54) **HAIR STYLING IRON**

(71) Applicants: **Kirsten Climer**, Brooklyn, NY (US);
Joseph Michael Zeledon, Brooklyn,
NY (US); **Heidi Serene Farrell**,
Brooklyn, NY (US); **Ayca Cakmakli**,
Brooklyn, NY (US); **Anthony Angelo**
DiBitonto, Brooklyn, NY (US)

(72) Inventors: **Kirsten Climer**, Brooklyn, NY (US);
Joseph Michael Zeledon, Brooklyn,
NY (US); **Heidi Serene Farrell**,
Brooklyn, NY (US); **Ayca Cakmakli**,
Brooklyn, NY (US); **Anthony Angelo**
DiBitonto, Brooklyn, NY (US)

(73) Assignee: **HELEN OF TROY LIMITED**, St.
Michael (BB)

(**) Term: **15 Years**

(21) Appl. No.: **29/569,844**

(22) Filed: **Jun. 30, 2016**

(51) **LOC (10) Cl.** **28-03**

(52) **U.S. Cl.**
USPC **D28/35**

(58) **Field of Classification Search**
USPC D28/35, 10
CPC ... A45D 1/00-1/28; A45D 2/00; A45D 2/001;
A45D 2/002; A45D 2/02; A45D 2/04;
A45D 2/06; A45D 2/08; A45D 2/10;
A45D 2/12-2/22; A45D 2/24-2/34; A45D
2/36-2/367; A45D 2/38-2/44
See application file for complete search history.

(56) **References Cited**

U.S. PATENT DOCUMENTS

5,119,847 A * 6/1992 Powell A45D 2/00
132/210
D373,848 S * 9/1996 Path D28/35

D727,568 S * 4/2015 Francois D28/10
D736,998 S * 8/2015 Koehler D28/35
9,370,231 B2 * 6/2016 Sansole A45D 2/02
D767,204 S * 9/2016 Gonzalez D28/35
D767,205 S * 9/2016 Climer D28/35
2005/0051188 A1 * 3/2005 Leung A45D 1/04
132/224
2007/0175881 A1 * 8/2007 Yeung A45D 1/10
219/222
2010/0089413 A1 * 4/2010 Wright A45D 2/001
132/211
2010/0224206 A1 * 9/2010 Serresvives A45D 1/04
132/212
2014/0216493 A1 * 8/2014 Hadden A45D 20/50
132/223

* cited by examiner

Primary Examiner — Jennifer Rivard

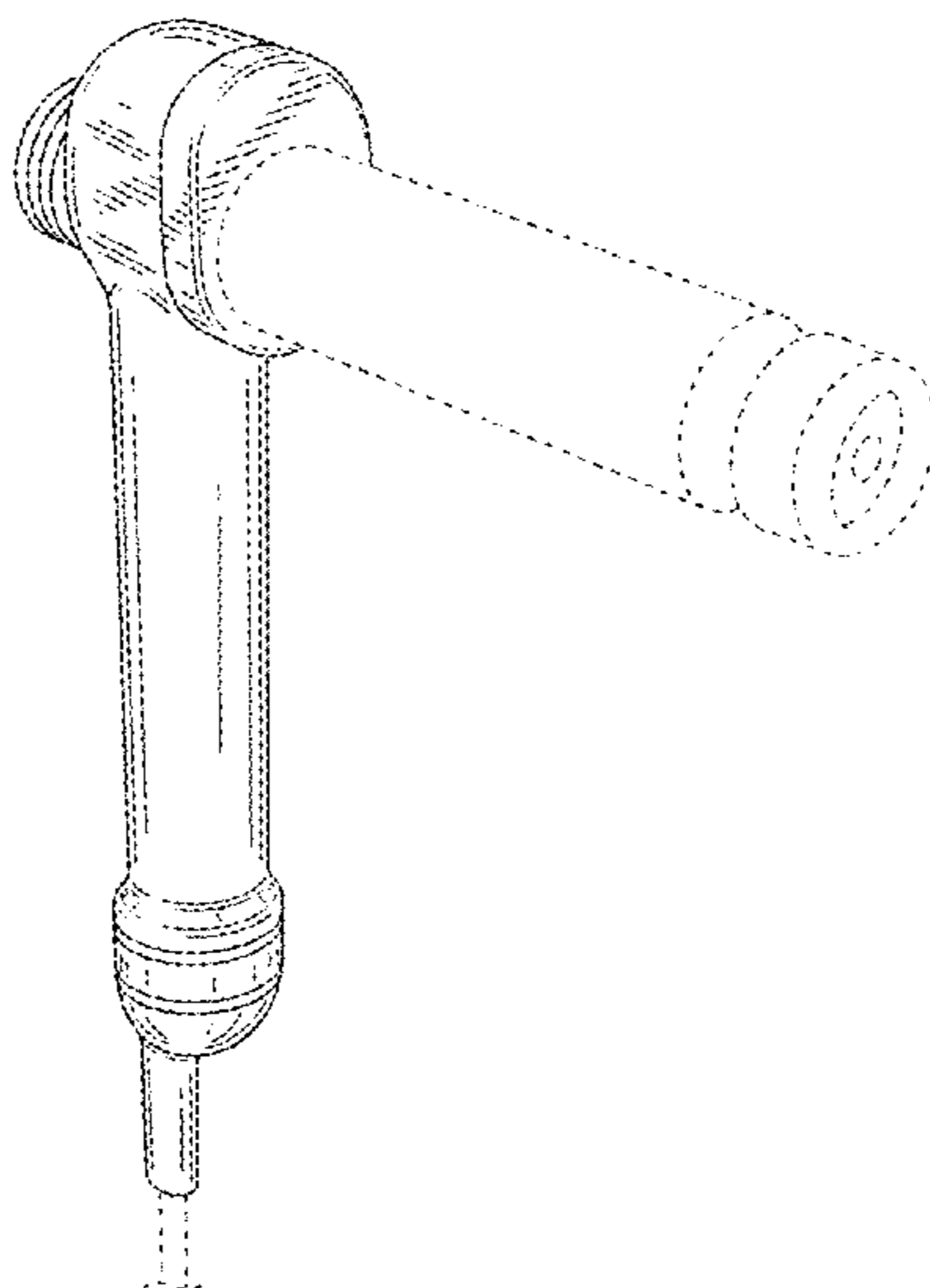
(57) **CLAIM**

The ornamental design for a hair styling iron, as shown, and described.

DESCRIPTION

FIG. 1 is a perspective view of the hair styling iron;
FIG. 2 is a right side view of the hair styling iron;
FIG. 3 is a left side view of the hair styling iron;
FIG. 4 is a rear view of the hair styling iron;
FIG. 5 is a front view of the hair styling iron;
FIG. 6 is a bottom view of the hair styling iron; and,
FIG. 7 is a top view of the hair styling iron.
The broken lines depict a curling iron barrel, timer reading
and power cord connection, each forming no part of the
claimed design.

1 Claim, 7 Drawing Sheets



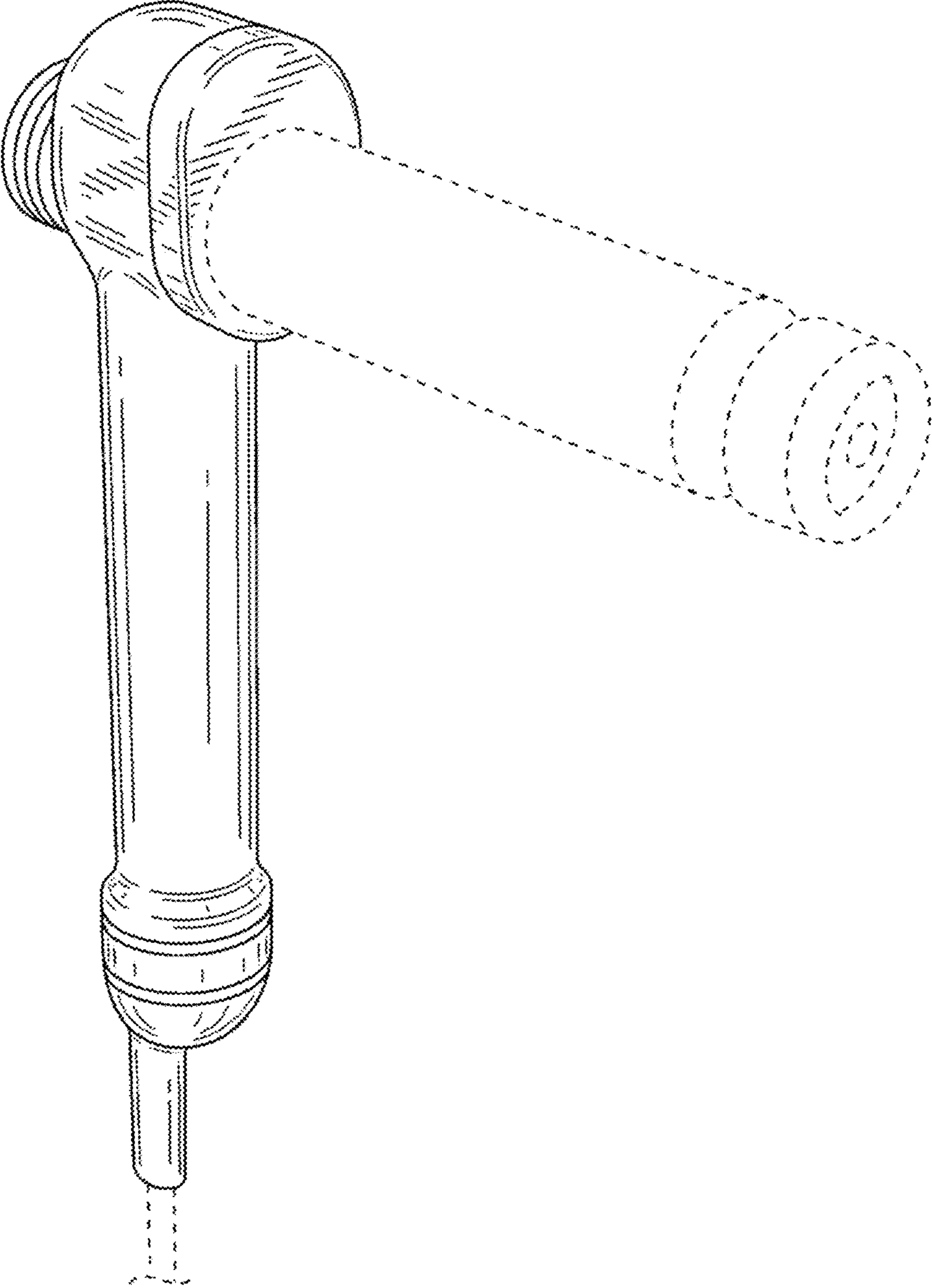


Figure 1

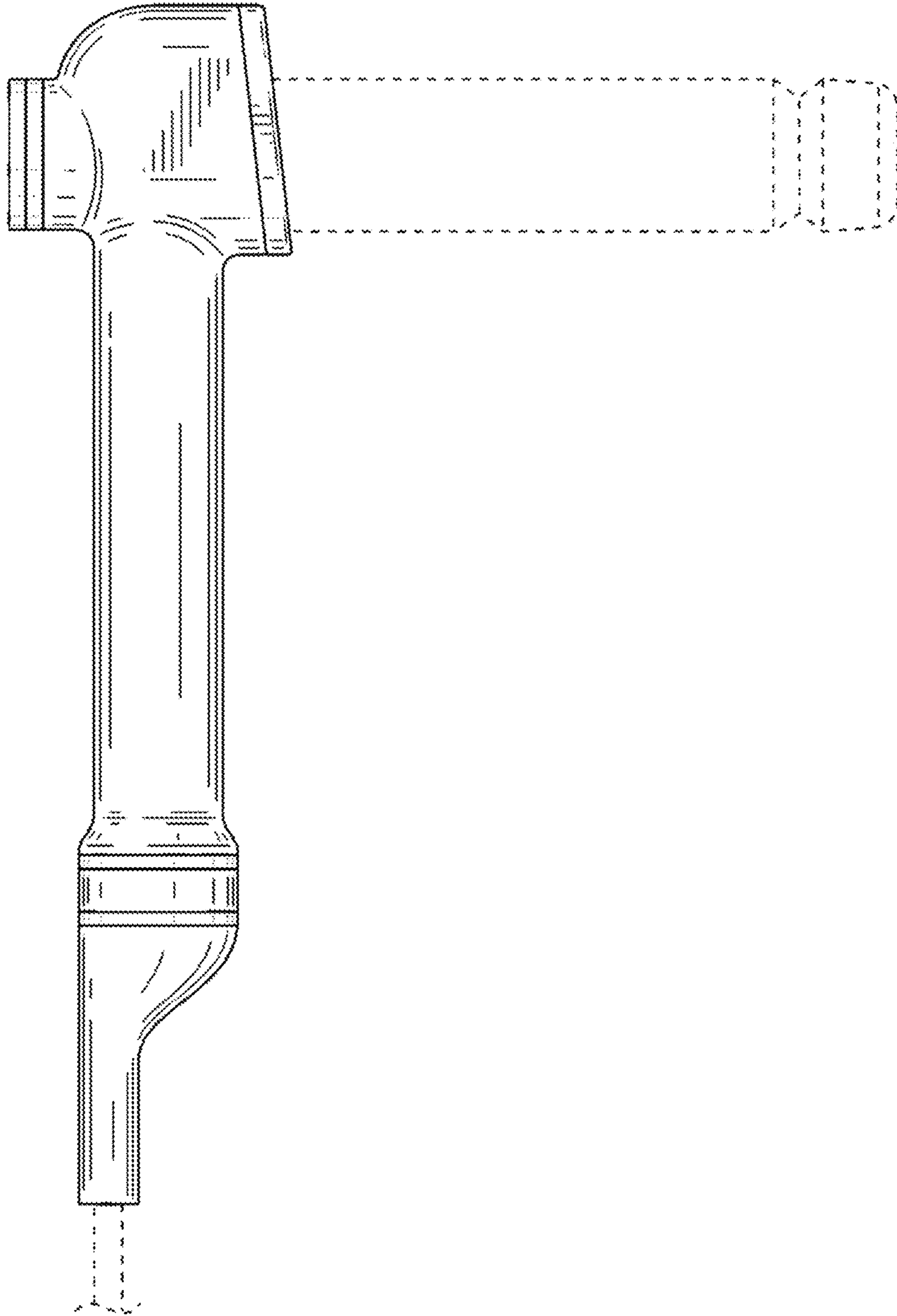


Figure 2

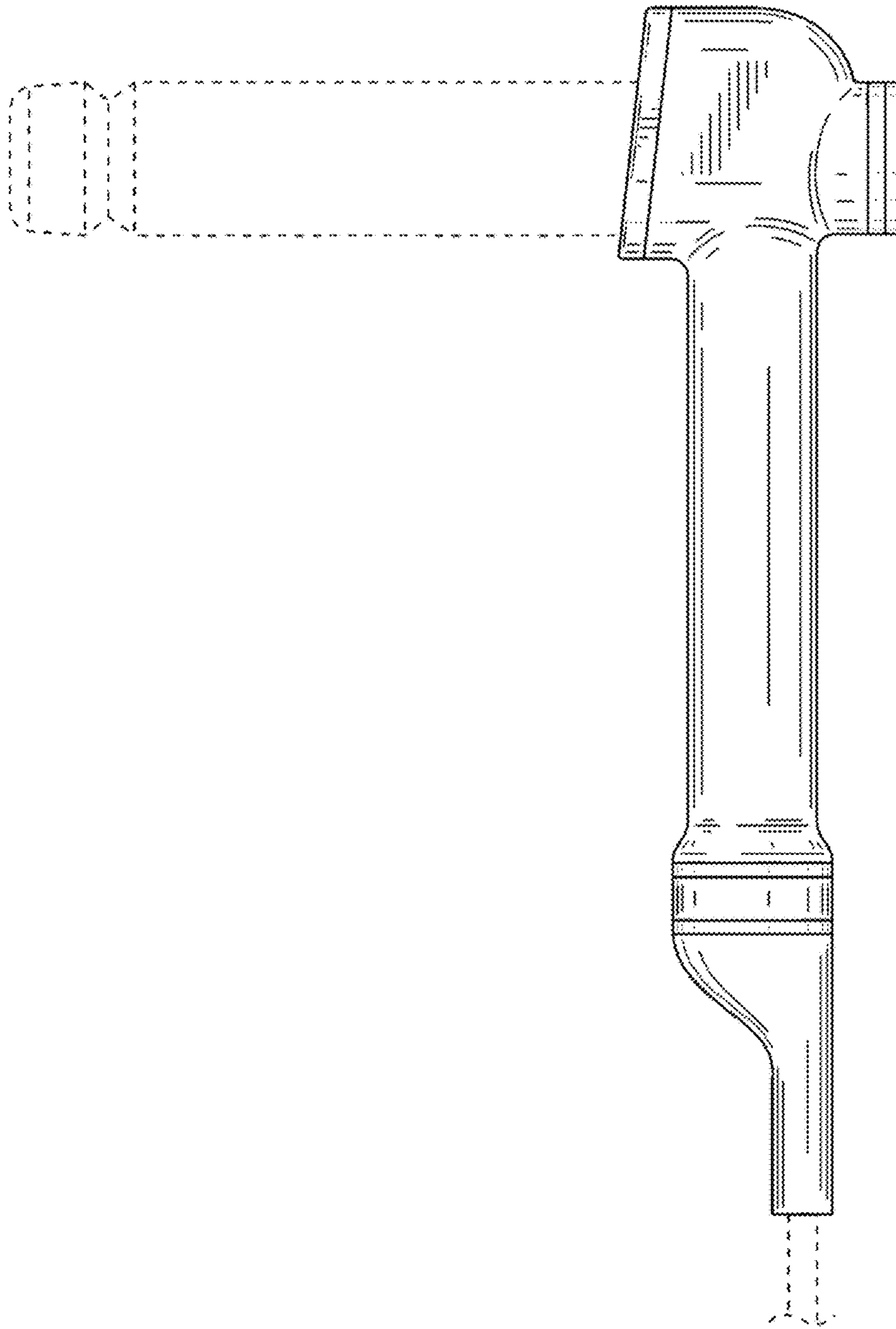


Figure 3

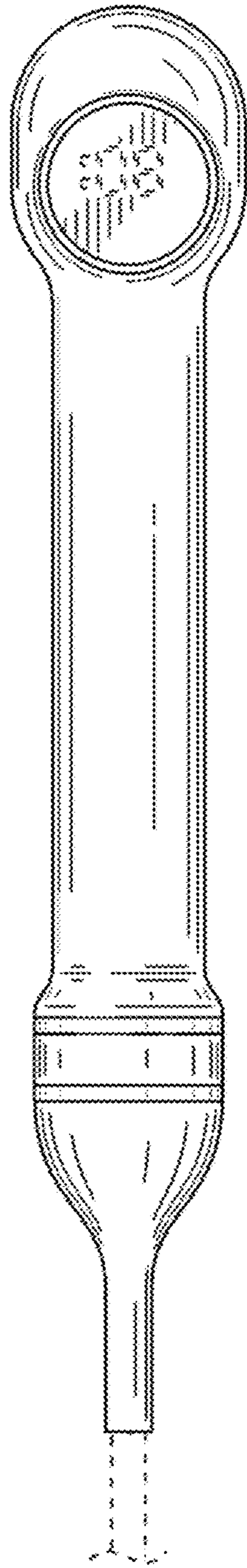


Figure 4

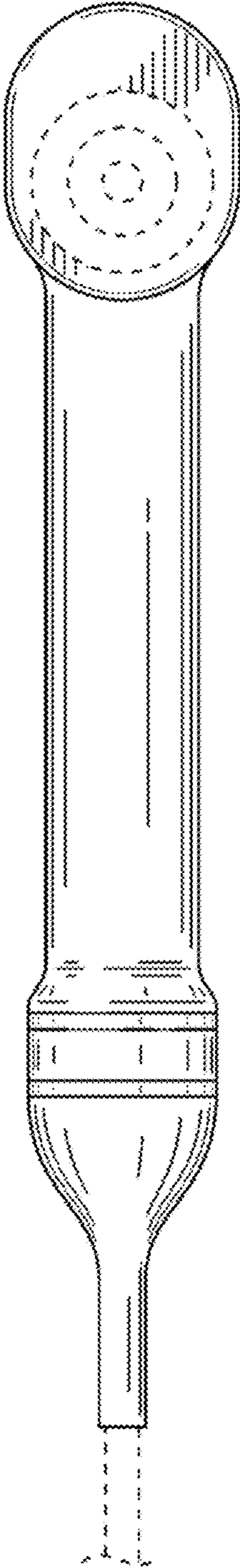


Figure 5

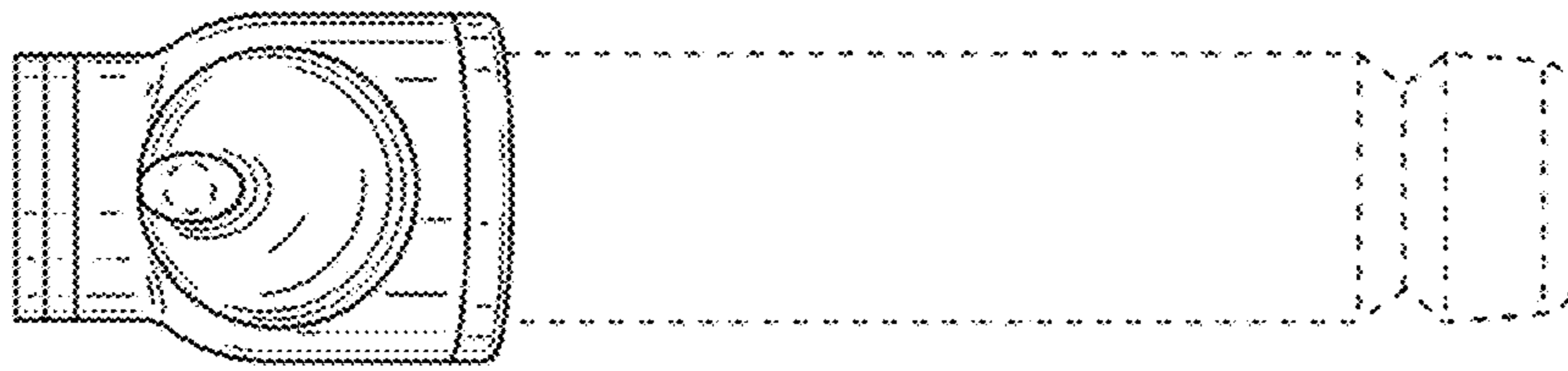


Figure 6

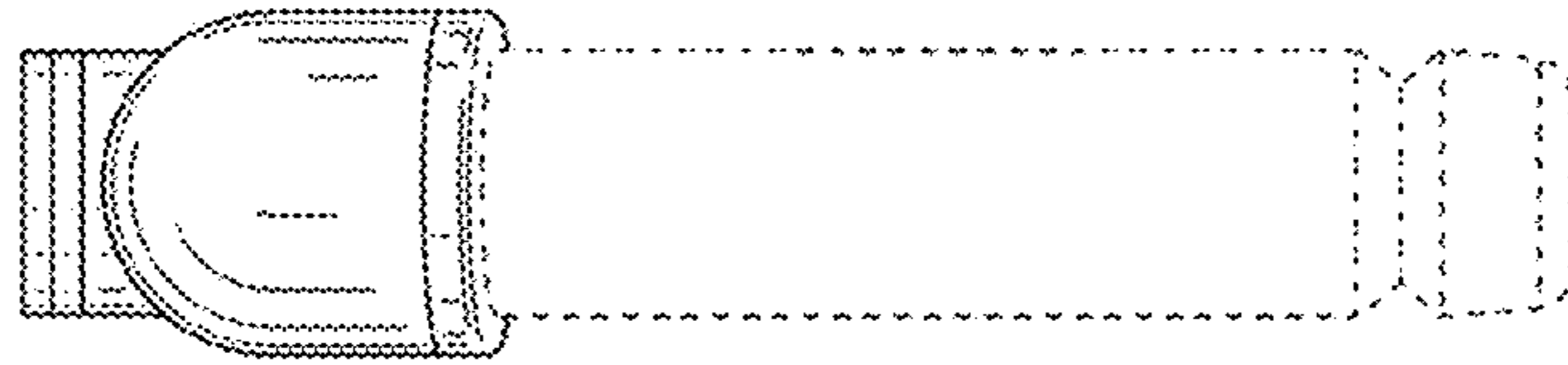


Figure 7