



US00D783203S

(12) **United States Design Patent** (10) **Patent No.:** **US D783,203 S**  
**Johnson et al.** (45) **Date of Patent:** **\*\* Apr. 4, 2017**

(54) **THREE CHAMBER POD**  
 (71) Applicant: **Church & Dwight Co., Inc.**, Princeton, NJ (US)

D735,407 S 7/2015 Gerhards  
 D744,162 S \* 11/2015 Sunder ..... D28/8.1  
 D748,330 S \* 1/2016 Gerhards ..... D28/8.1  
 D759,891 S \* 6/2016 Sarb ..... D28/8.1

(72) Inventors: **Thomas Johnson**, Hightstown, NJ (US); **Carl Henry**, Newtown, PA (US); **Jonathan Wharton**, Ewing, NJ (US)

FOREIGN PATENT DOCUMENTS

EM 002680801-001 4/2015  
 WO 2014/170882 A1 10/2014

(73) Assignee: **Church & Dwight Co., Inc.**, Princeton, NJ (US)

\* cited by examiner

(\*\*) Term: **15 Years**

*Primary Examiner* — Jennifer Rivard

(21) Appl. No.: **29/562,104**

(74) *Attorney, Agent, or Firm* — Church & Dwight Co., Inc.

(22) Filed: **Apr. 22, 2016**

(57) **CLAIM**

The ornamental design for a three chamber pod, as shown and described.

(51) **LOC (10) Cl.** ..... **28-03**

**DESCRIPTION**

(52) **U.S. Cl.**

USPC ..... **D28/8.1**; D9/426

(58) **Field of Classification Search**

USPC ..... D9/424–426, 428, 430–432, 702, 707, D9/710, 737, 759

CPC ..... C11D 17/04; C11D 17/041–17/042; C11D 17/043–17/047; C11D 17/0047–17/0091; C11D 17/0095; C11D 17/00–17/0021

See application file for complete search history.

FIG. 1 is a top, front, right perspective view of a three chamber pod showing the new design with a center chamber with a substantially round cross-section;  
 FIG. 2 is a top, front, left perspective view thereof;  
 FIG. 3 is a top, rear, right perspective view thereof;  
 FIG. 4 is a top, rear, left perspective view thereof;  
 FIG. 5 is a top plan view thereof;  
 FIG. 6 is a front end elevational view thereof;  
 FIG. 7 is a rear end elevational view thereof;  
 FIG. 8 is a left side elevational view thereof;  
 FIG. 9 is a right side elevational view thereof; and,  
 FIG. 10 is a bottom plan view thereof.

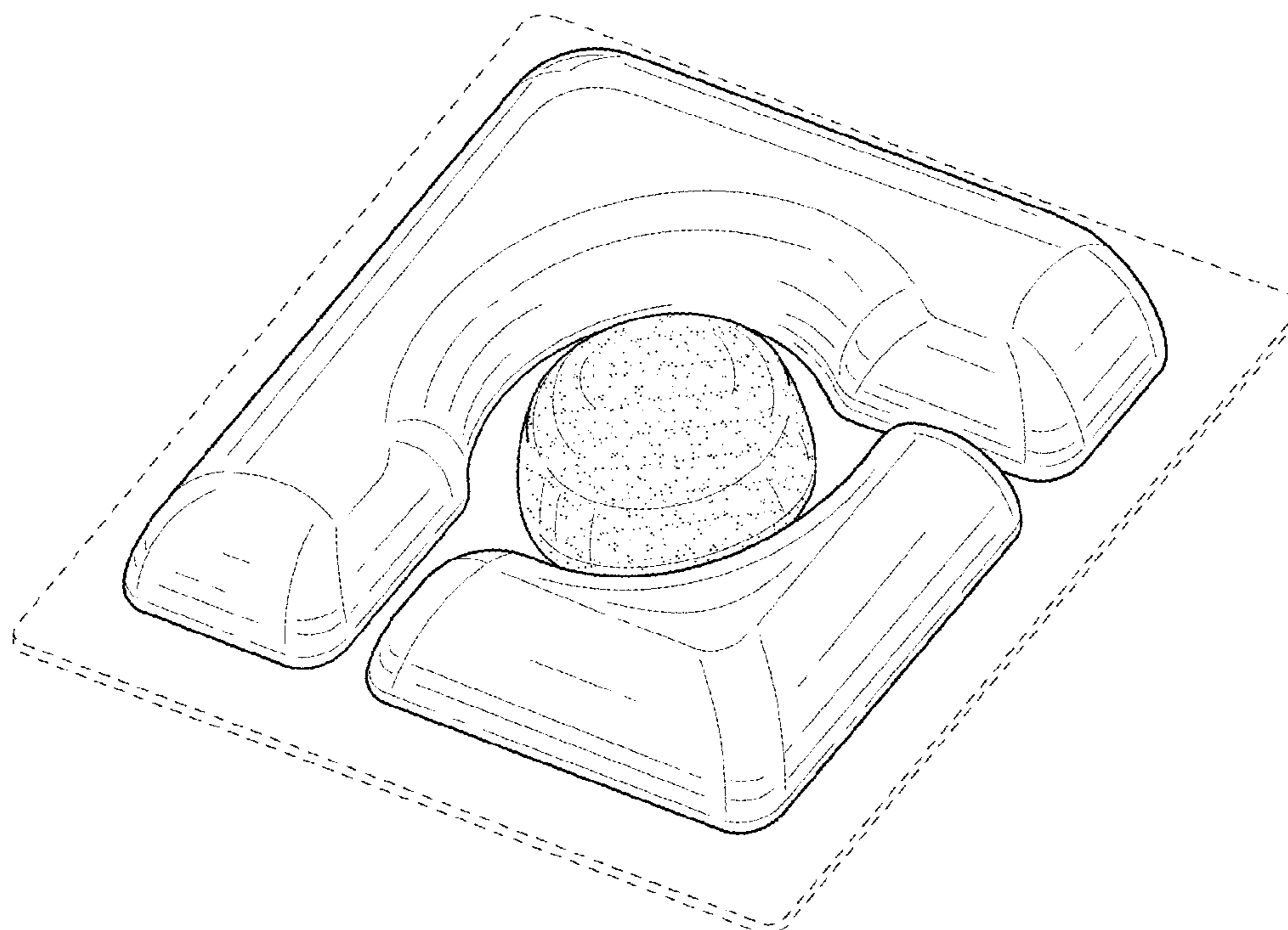
(56) **References Cited**

U.S. PATENT DOCUMENTS

D565,244 S 3/2008 Schwartz et al.  
 D695,451 S 12/2013 Gerhards  
 D714,161 S \* 9/2014 Crawford ..... D9/707  
 D728,157 S \* 4/2015 Sarb ..... D28/8.1

The broken lines shown herein depict environmental subject matter only, and form no part of the claimed design.

**1 Claim, 5 Drawing Sheets**



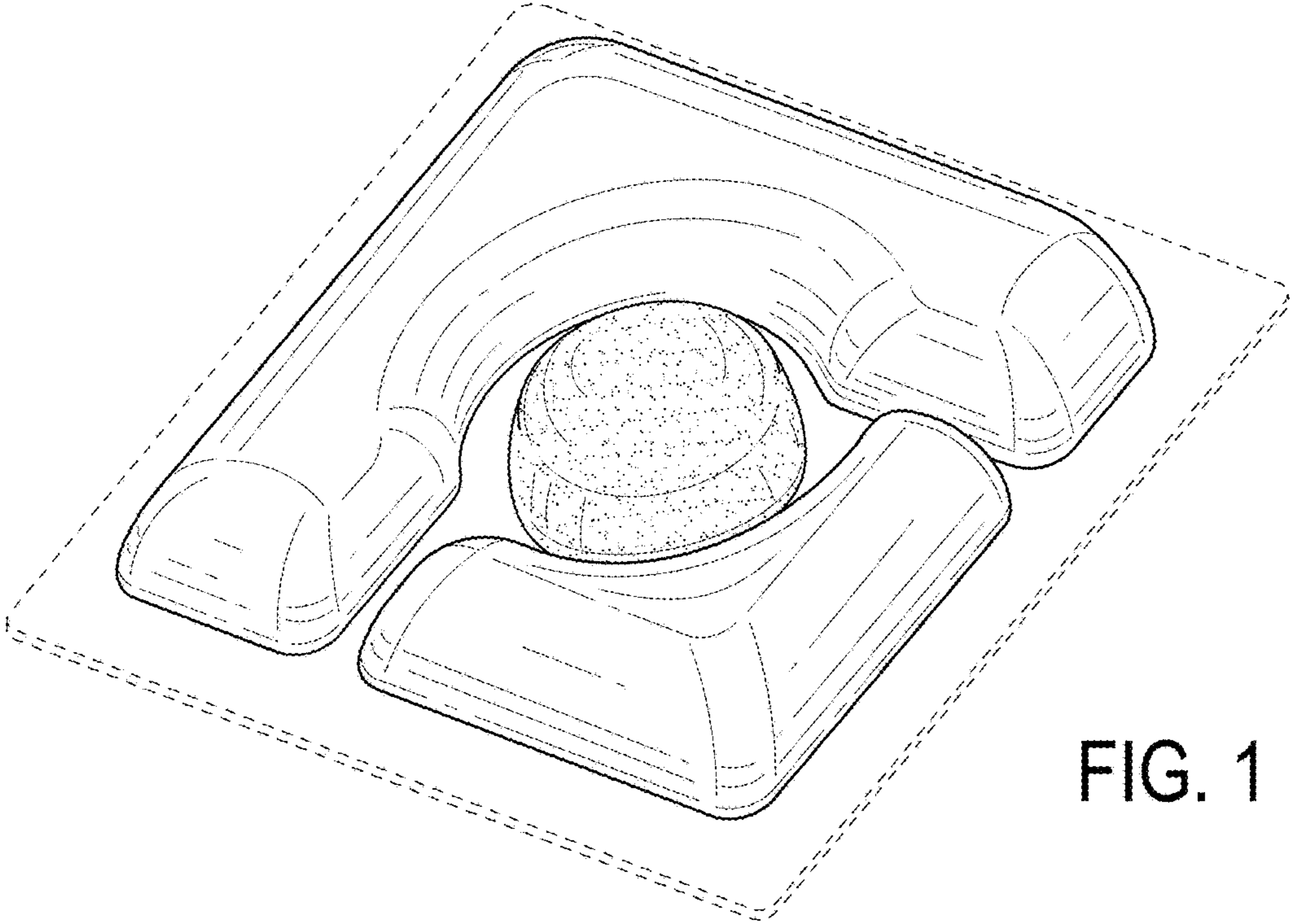


FIG. 1

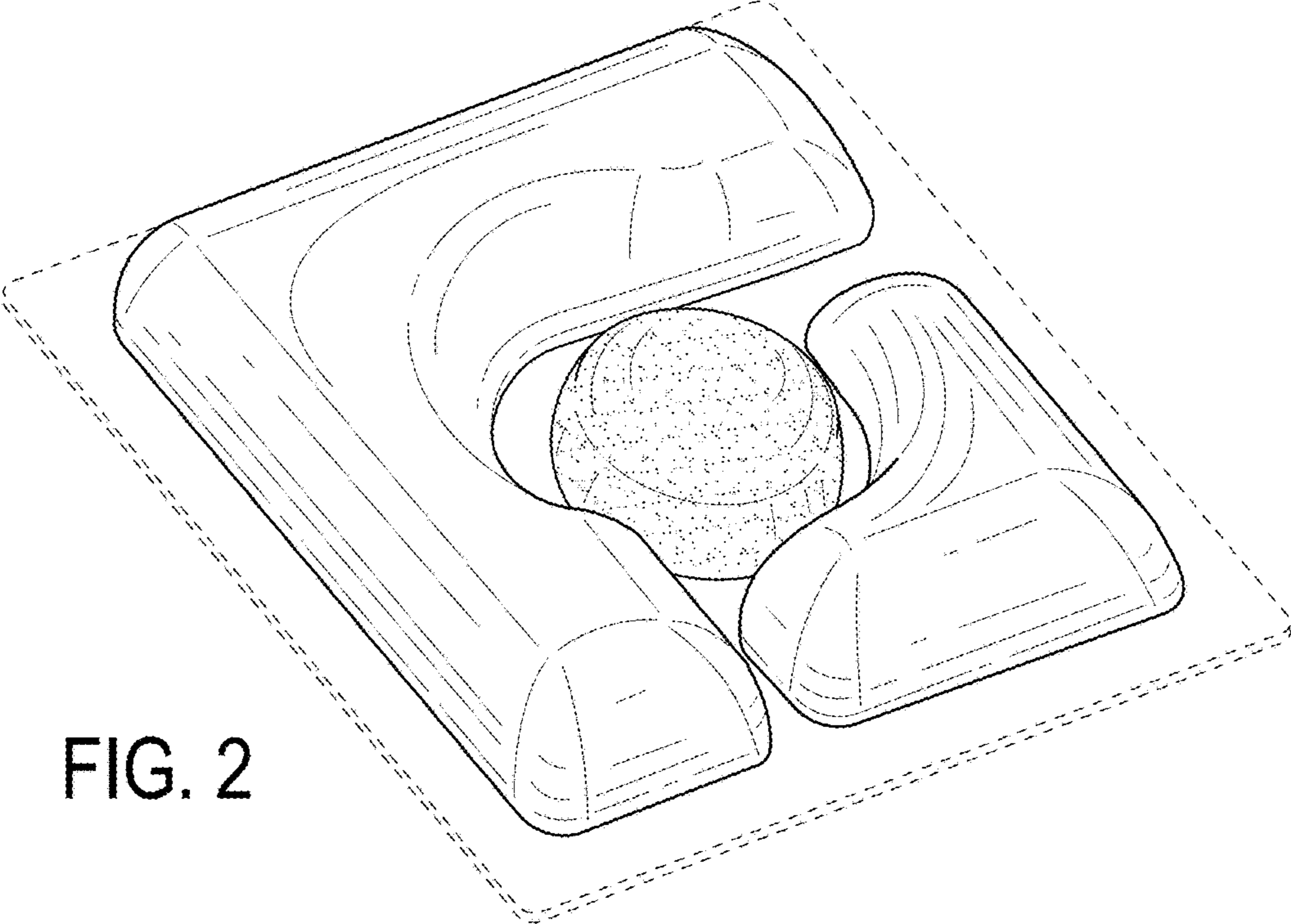


FIG. 2

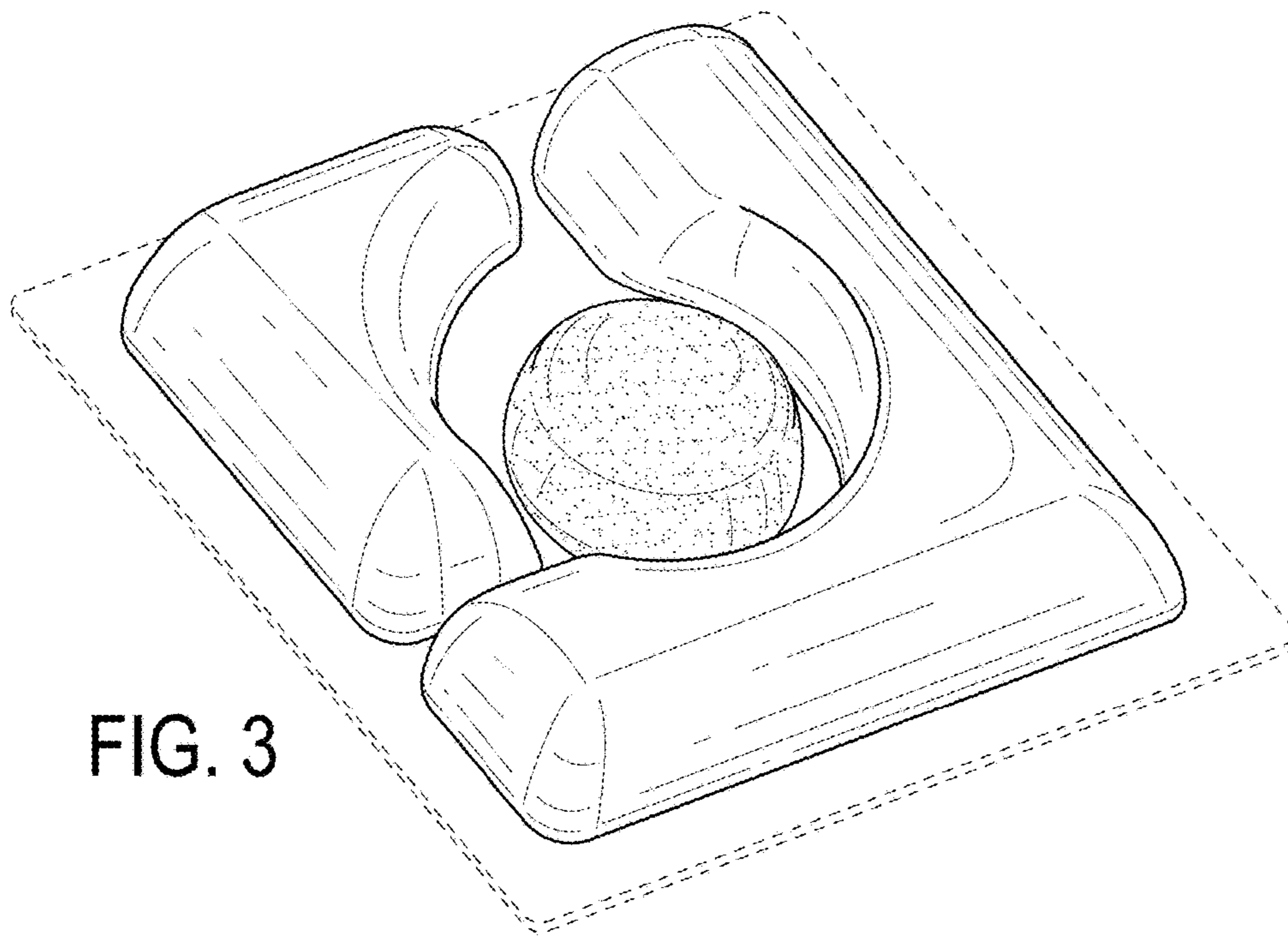


FIG. 3

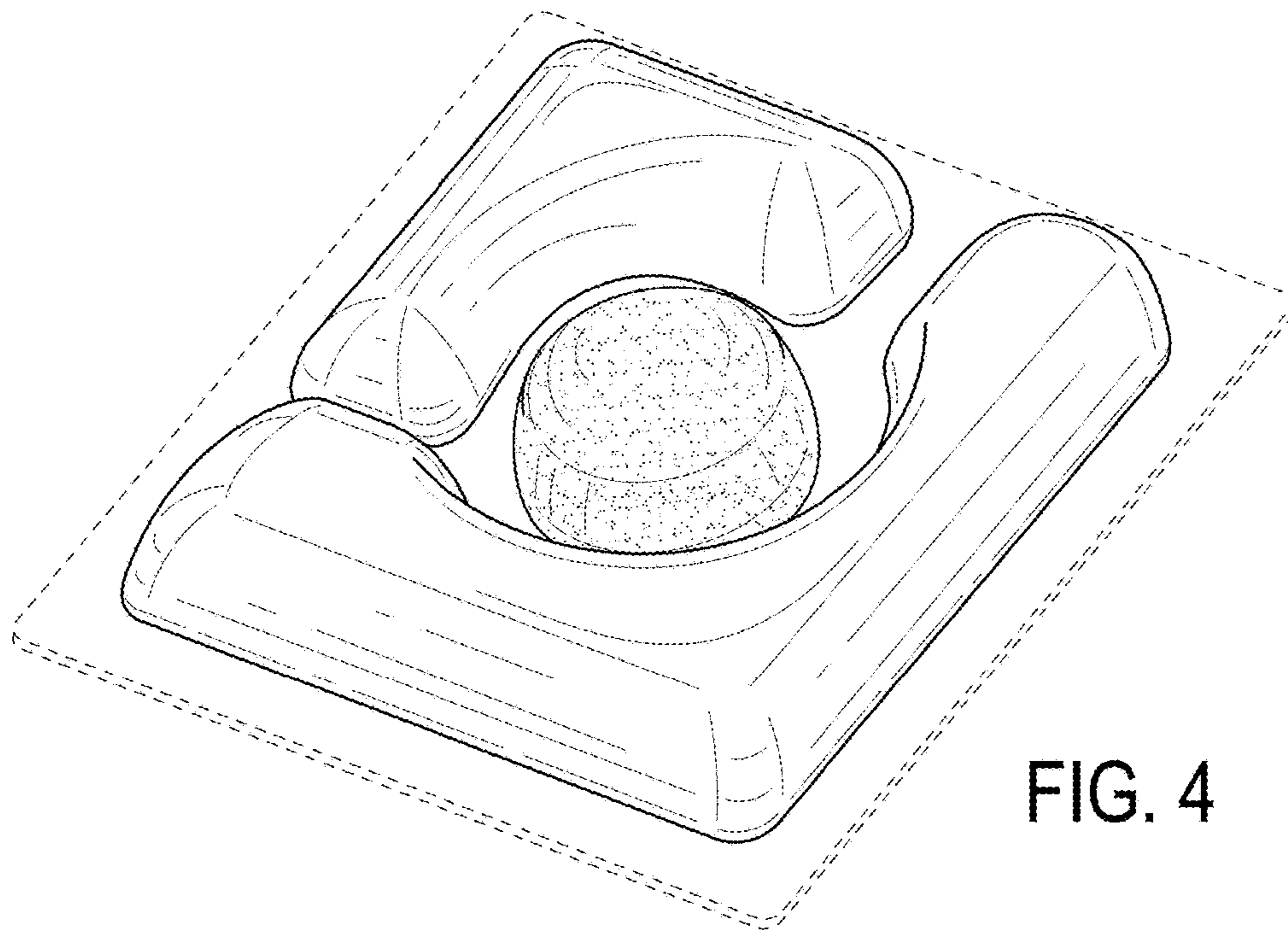


FIG. 4

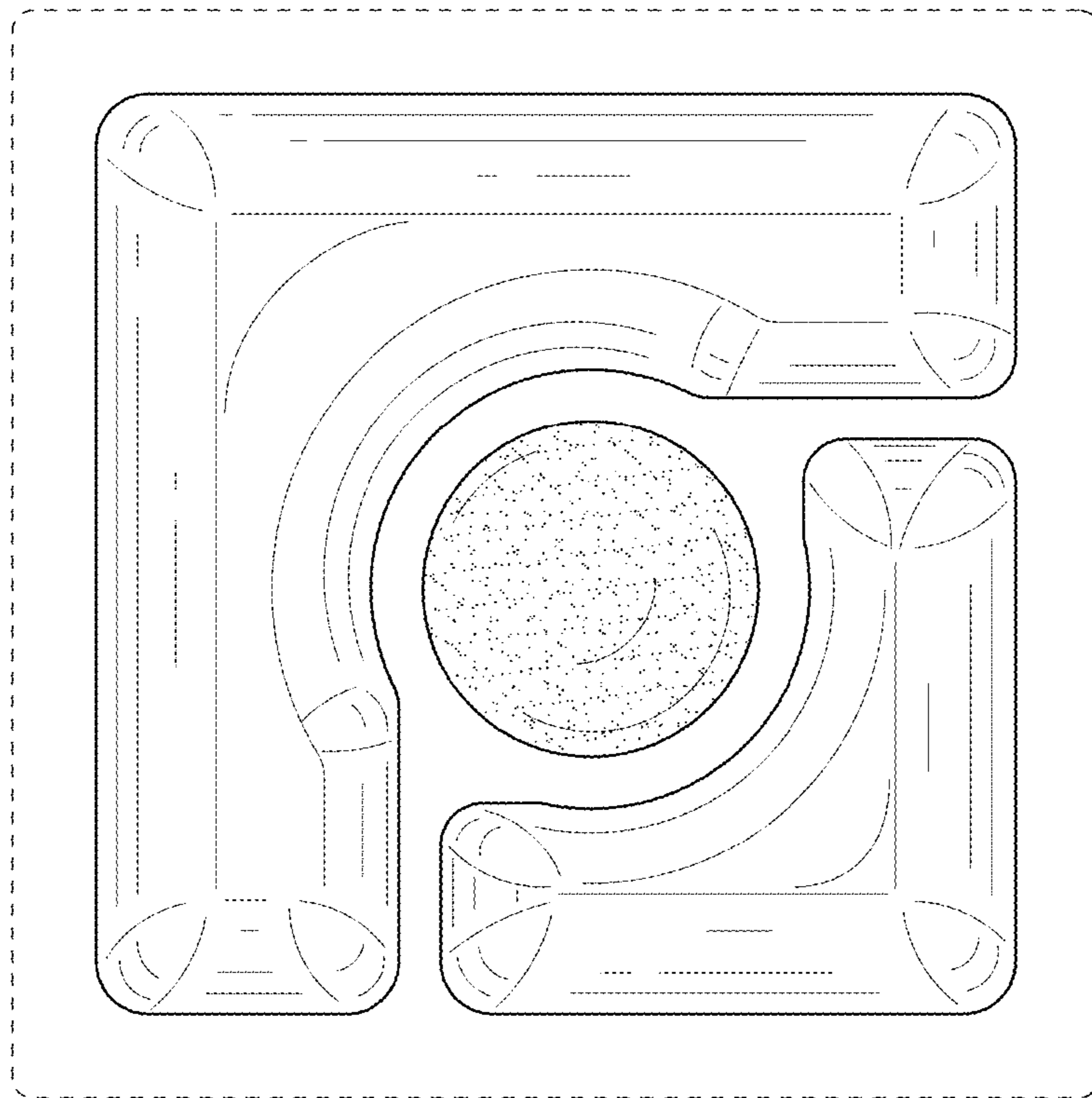


FIG. 5

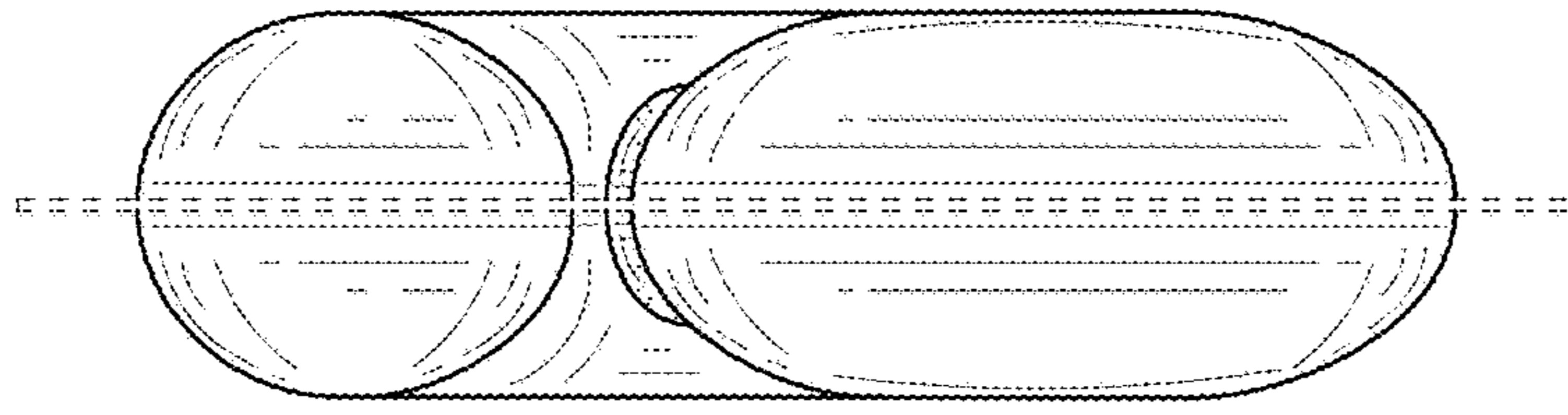


FIG. 6

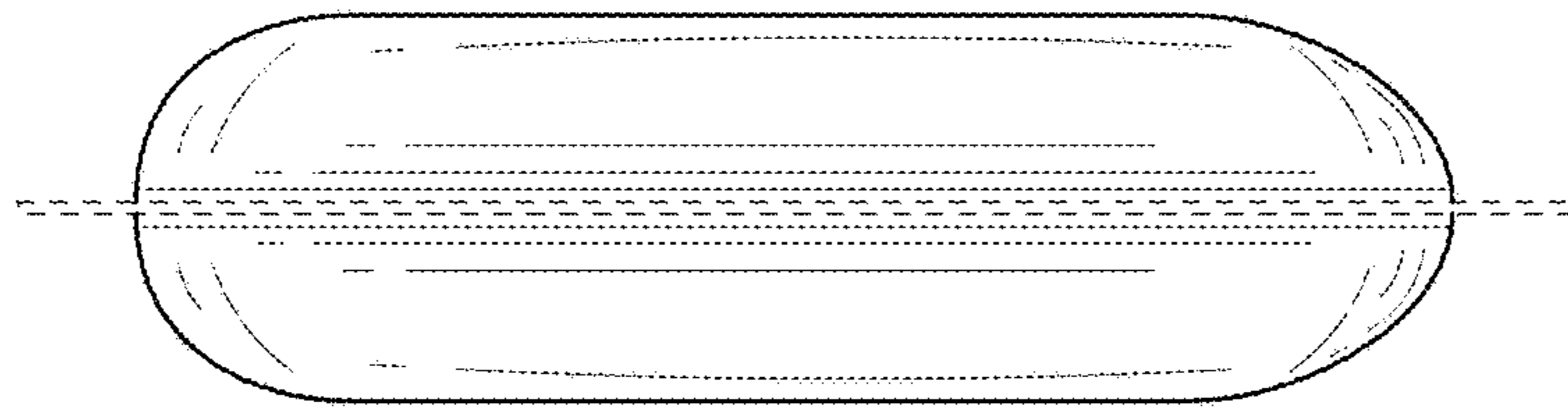


FIG. 7

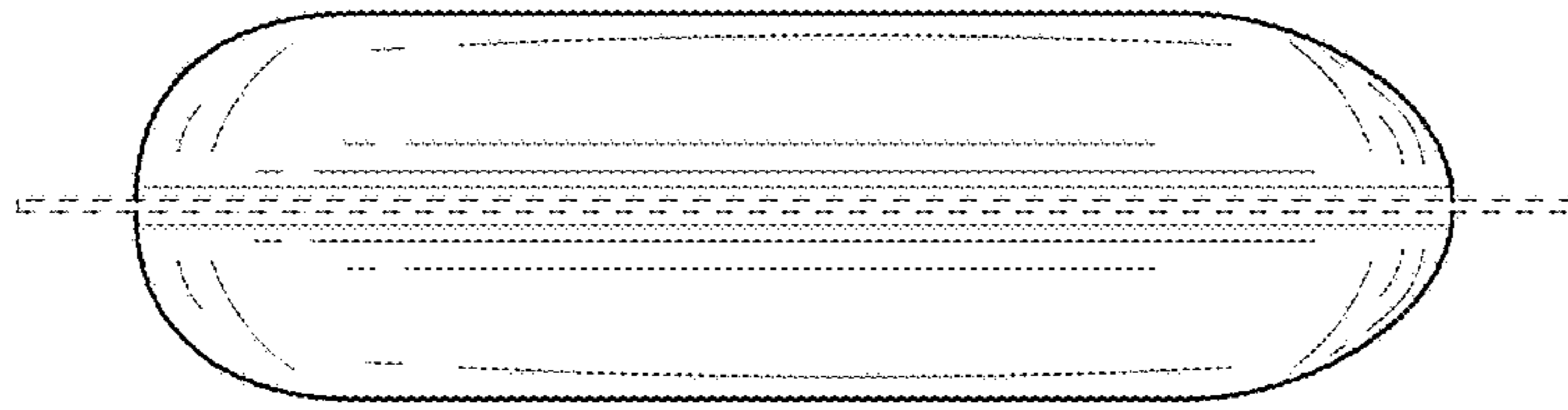


FIG. 8

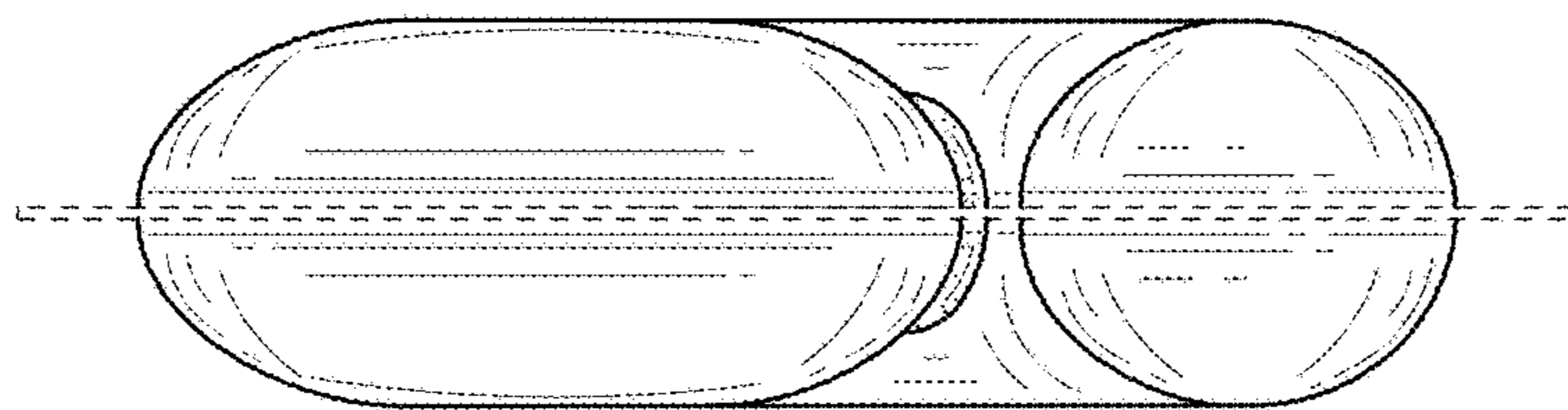


FIG. 9

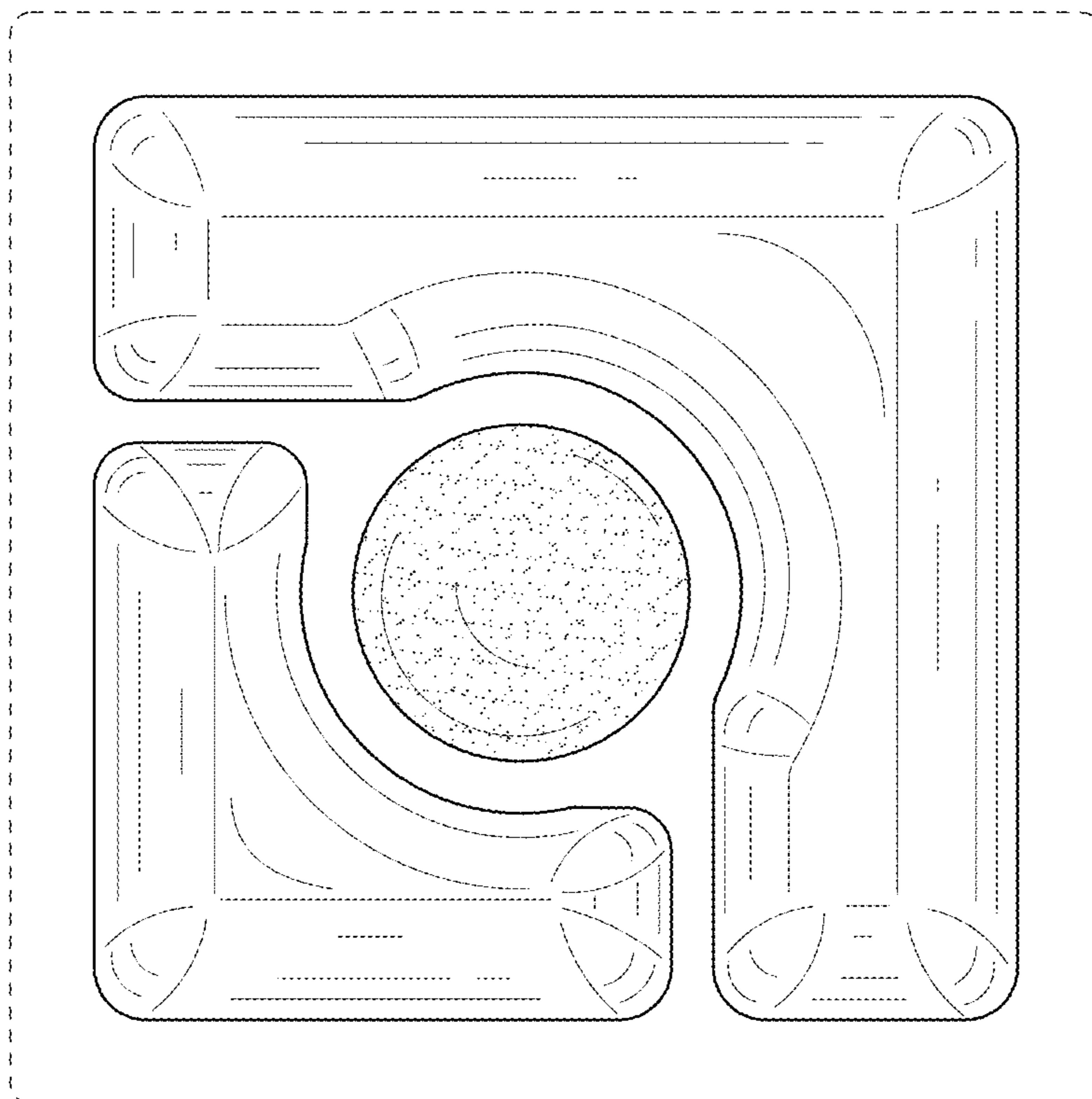


FIG. 10