



US00D783199S

(12) **United States Design Patent** (10) **Patent No.:** **US D783,199 S**
Cartellone et al. (45) **Date of Patent:** **** Apr. 4, 2017**

- (54) **LED ENDCAP**
- (71) Applicant: **Energy Focus, Inc.**, Solon, OH (US)
- (72) Inventors: **Mark Cartellone**, Broadview Heights, OH (US); **Brian Milliff**, Kirtland, OH (US); **Sara Shipley**, Hudson, OH (US)
- (73) Assignee: **ENERGY FOCUS, INC.**, Solon, OH (US)
- (**) Term: **15 Years**
- (21) Appl. No.: **29/554,737**
- (22) Filed: **Feb. 15, 2016**
- (51) **LOC (10) Cl.** **26-99**
- (52) **U.S. Cl.**
USPC **D26/138; D26/113**
- (58) **Field of Classification Search**
USPC . D26/76, 78, 79, 80, 81, 82, 83, 85, 88, 90, D26/93, 110, 113, 118, 119, 120, 121, D26/122, 138, 140-142
CPC F21S 4/00; F21S 4/003; F21S 4/006; F21S 4/007; F21S 4/008; F21S 6/004; F21S 6/005; F21K 9/54; F21V 15/01; F21V 15/013
See application file for complete search history.

(56) **References Cited**

U.S. PATENT DOCUMENTS

- D291,556 S * 8/1987 Engel D26/3
- D448,096 S * 9/2001 Choi D26/3

- D513,079 S * 12/2005 Kluijfhout D26/3
- D516,511 S * 3/2006 Wiskerke D13/134
- D603,085 S * 10/2009 Kovacs D26/113
- D603,086 S * 10/2009 Zayas D26/113
- D616,822 S * 6/2010 Zayas D13/134
- D650,938 S * 12/2011 Edwards, Jr. D26/138
- D715,987 S * 10/2014 Pugh D26/113
- 2010/0253226 A1 * 10/2010 Oki F21V 3/00
315/113

* cited by examiner

Primary Examiner — George D Kirschbaum

Assistant Examiner — Natasha Vujcic

(74) *Attorney, Agent, or Firm* — Rankin, Hill & Clark LLP

(57) **CLAIM**

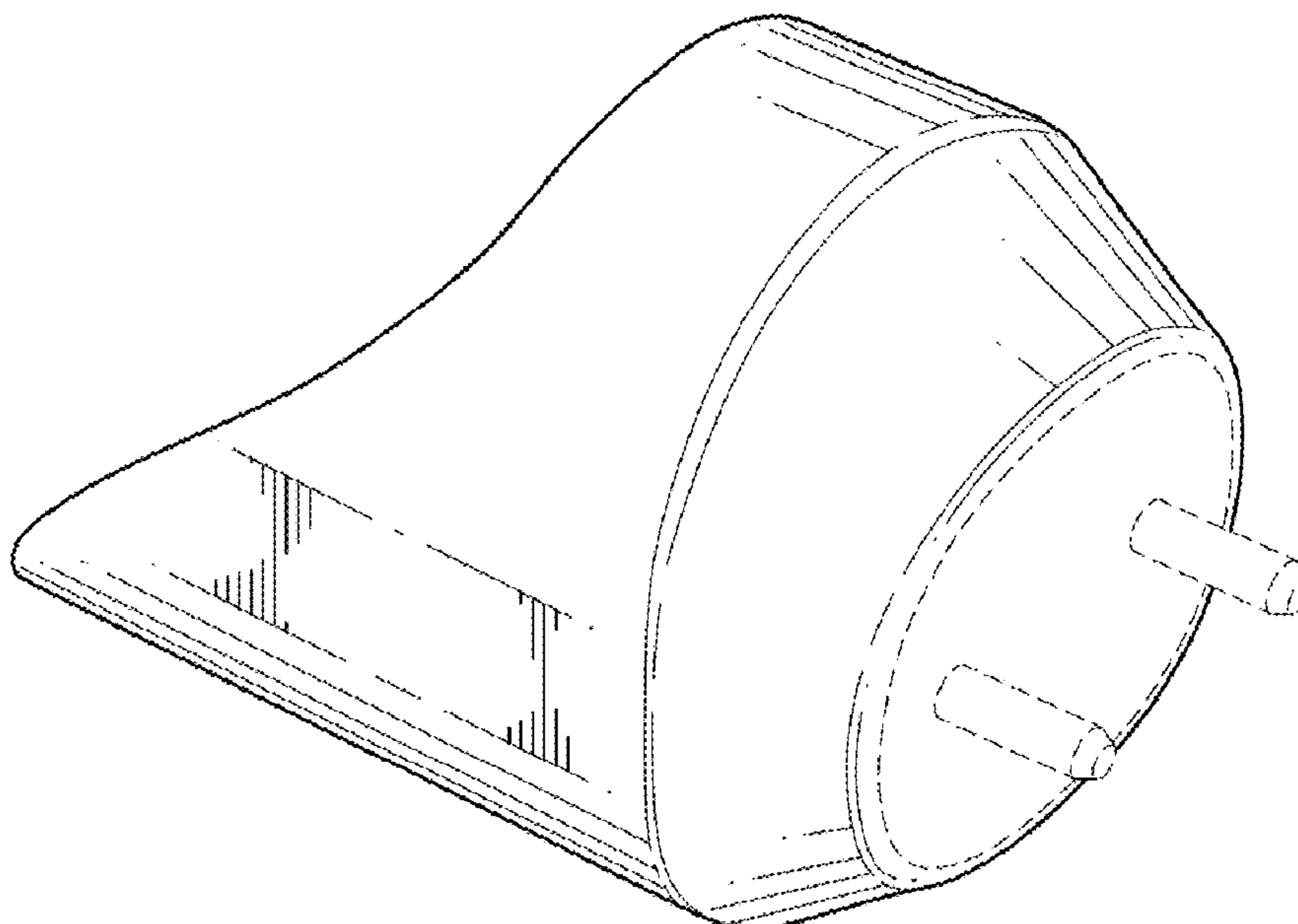
The ornamental design for an LED endcap, as shown and described.

DESCRIPTION

FIG. 1 is a front top perspective view of an LED endcap; FIG. 2 is a rear bottom perspective view thereof; FIG. 3 is a front elevation view thereof; FIG. 4 is a rear elevation view thereof; FIG. 5 is a left side elevation view thereof; FIG. 6 is a right side elevation view thereof; FIG. 7 is a top plan view thereof; FIG. 8 is a bottom plan view thereof; and, FIG. 9 is an in use perspective view.

The broken lines in the drawings, which illustrate environmental structure or boundaries of the LED endcap, do not form a part of the claimed design.

1 Claim, 7 Drawing Sheets



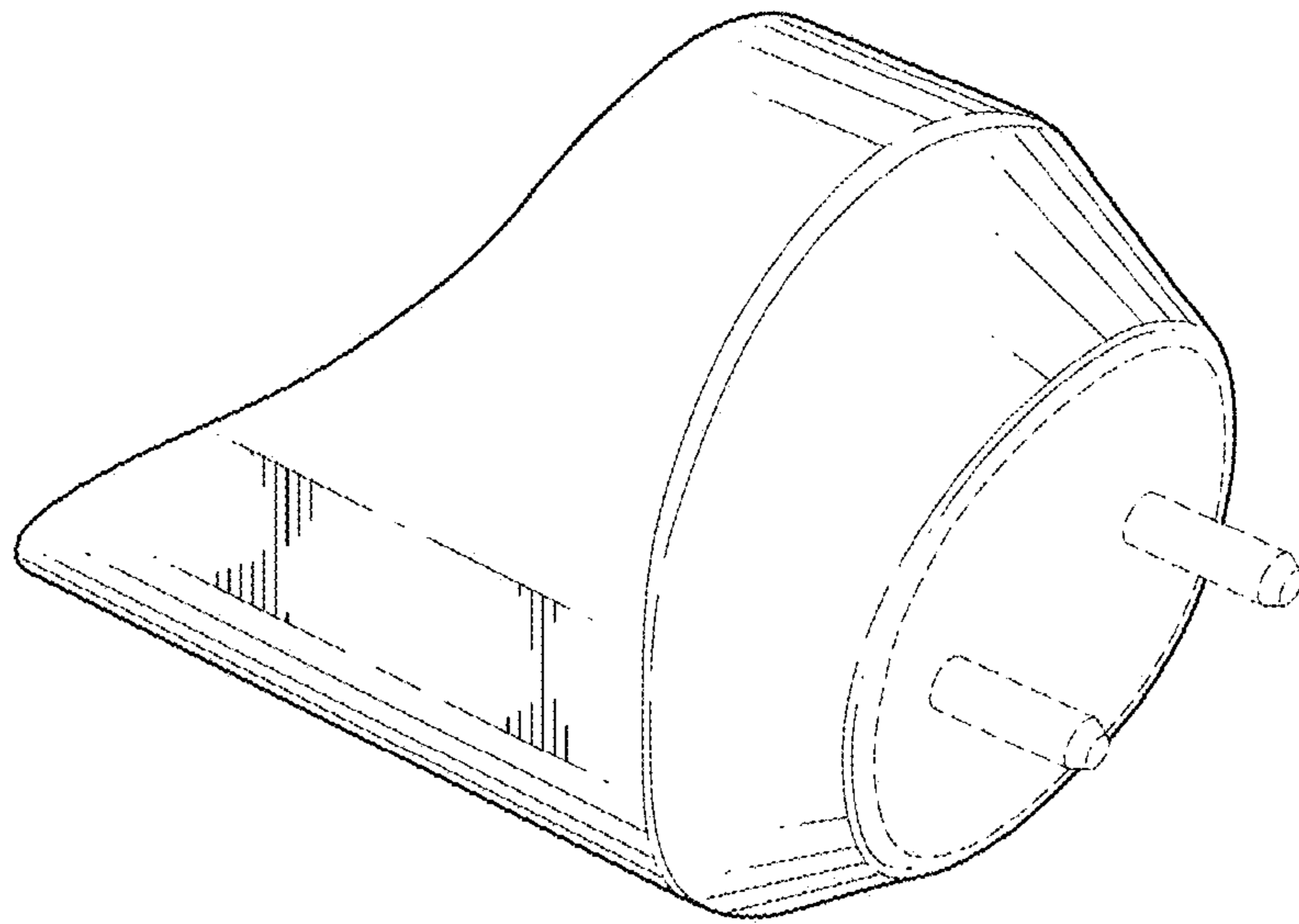


FIG. 1

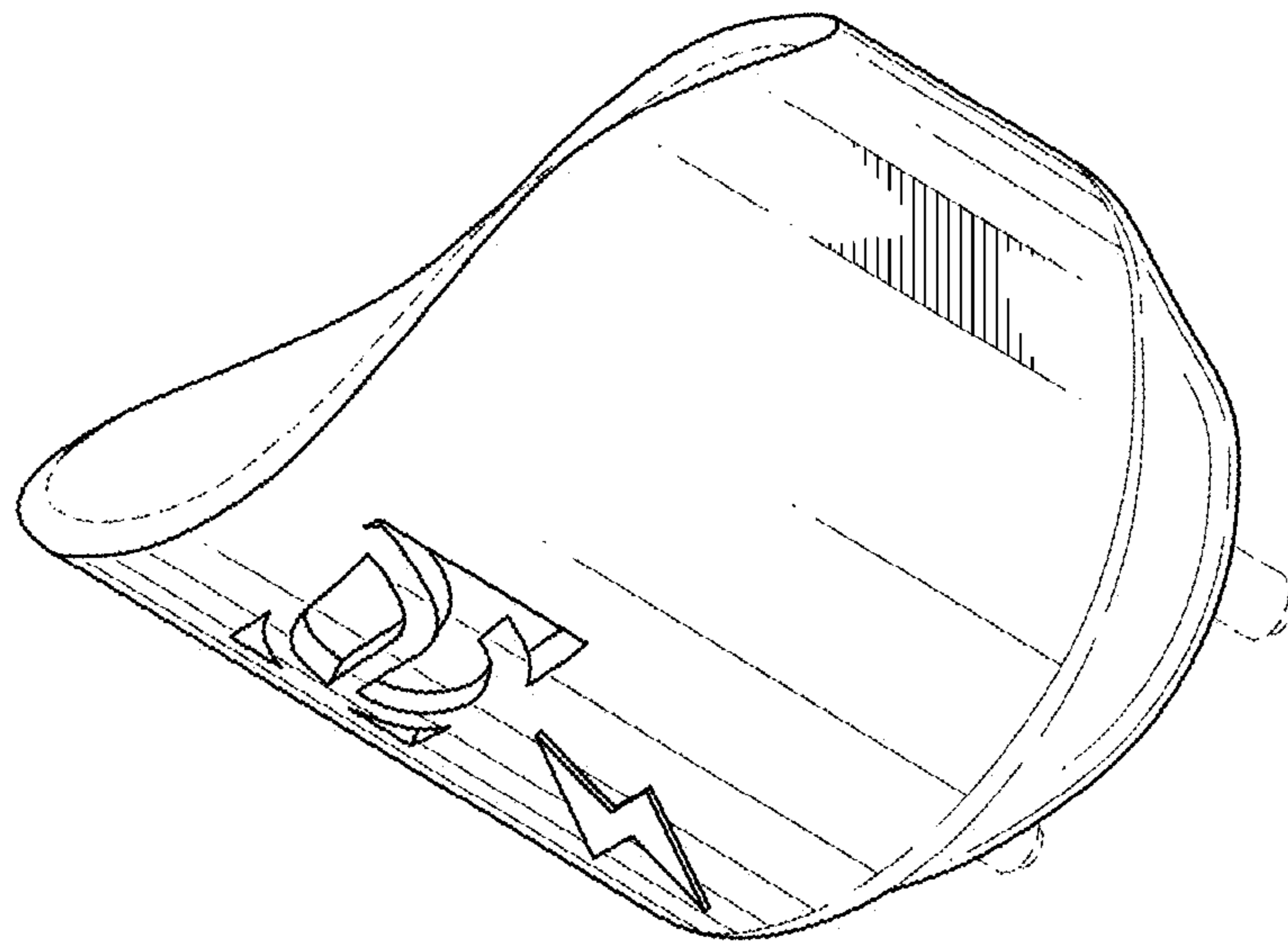


FIG. 2

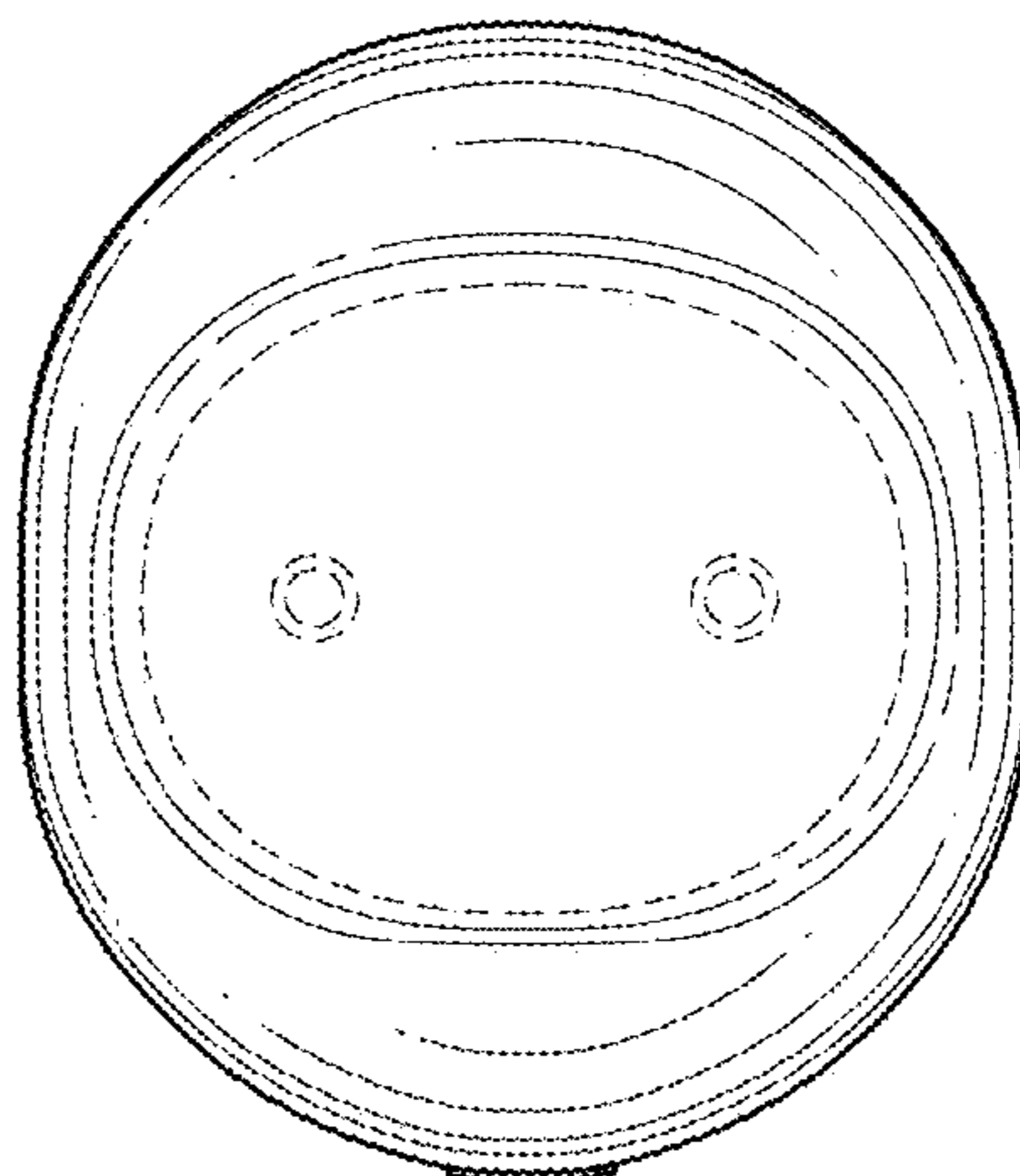


FIG. 3

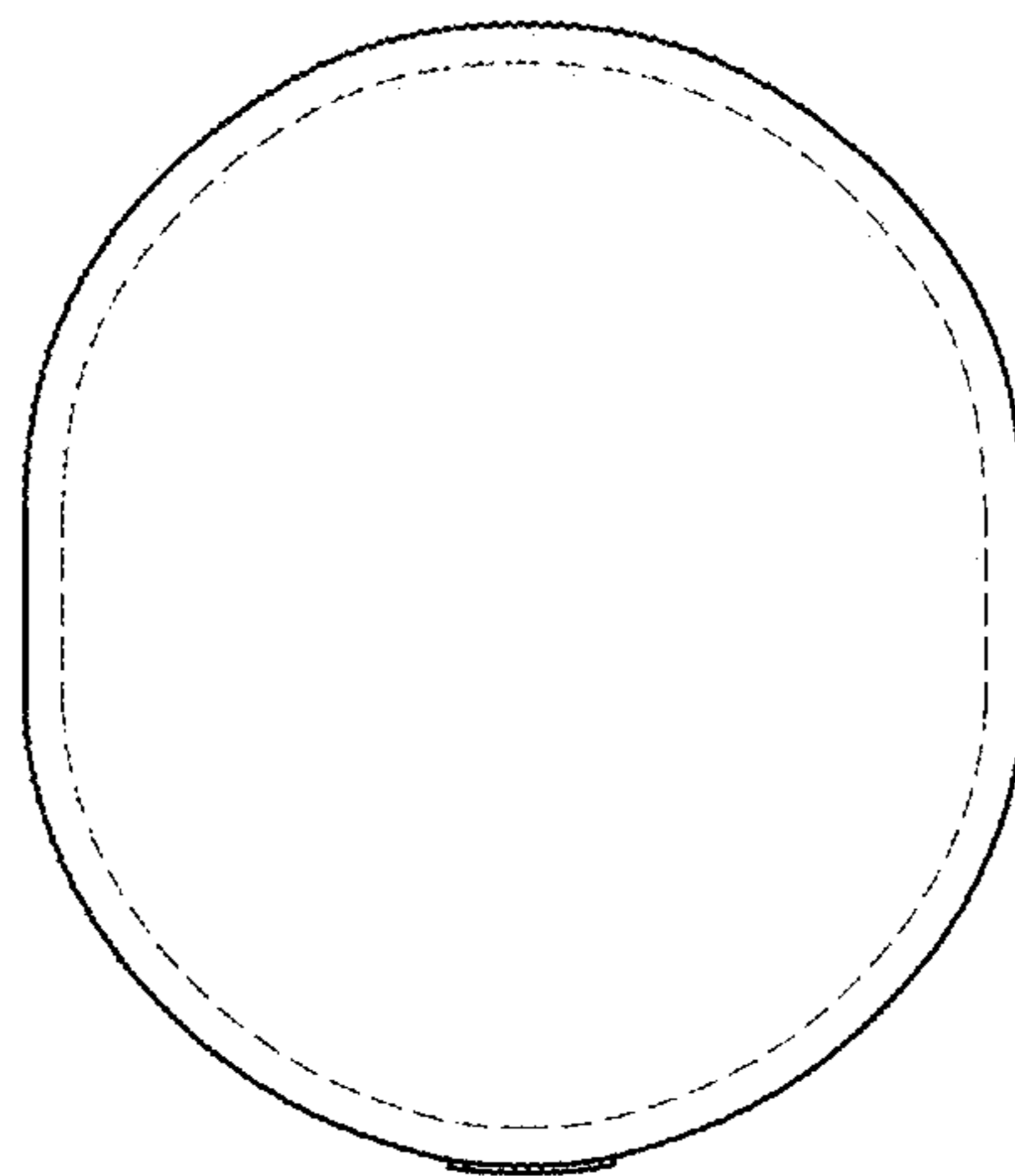


FIG. 4

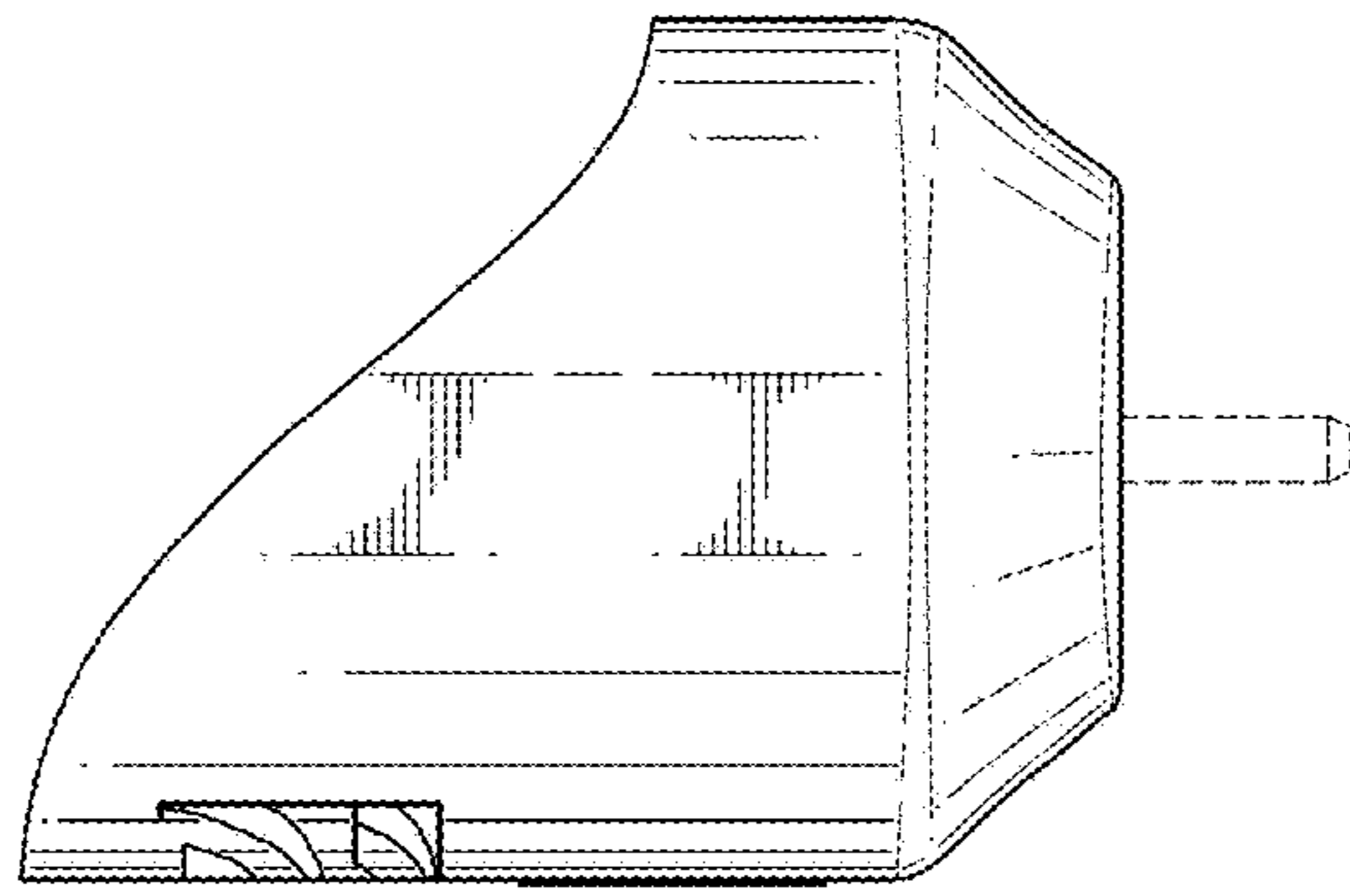


FIG. 5

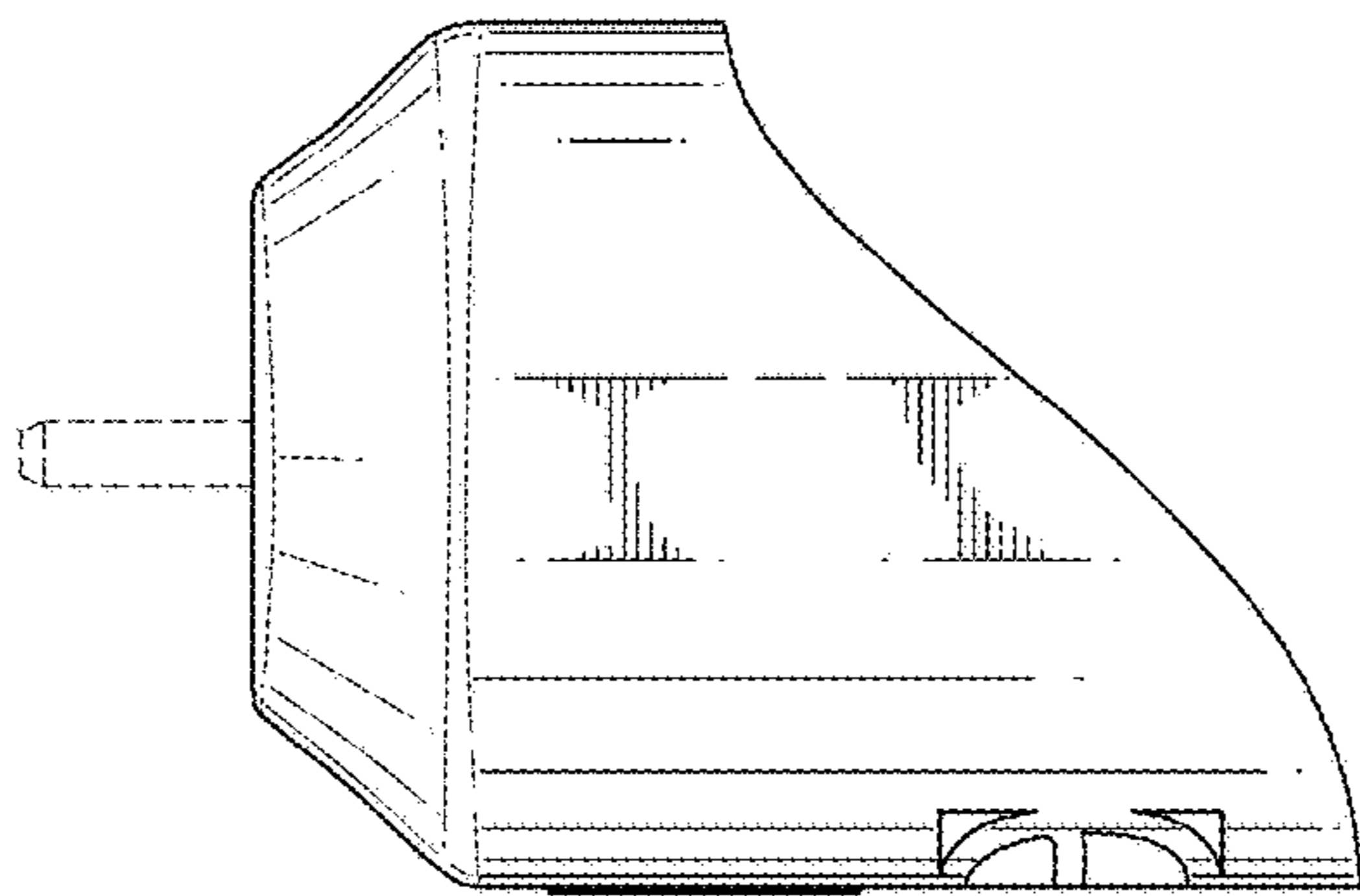


FIG. 6

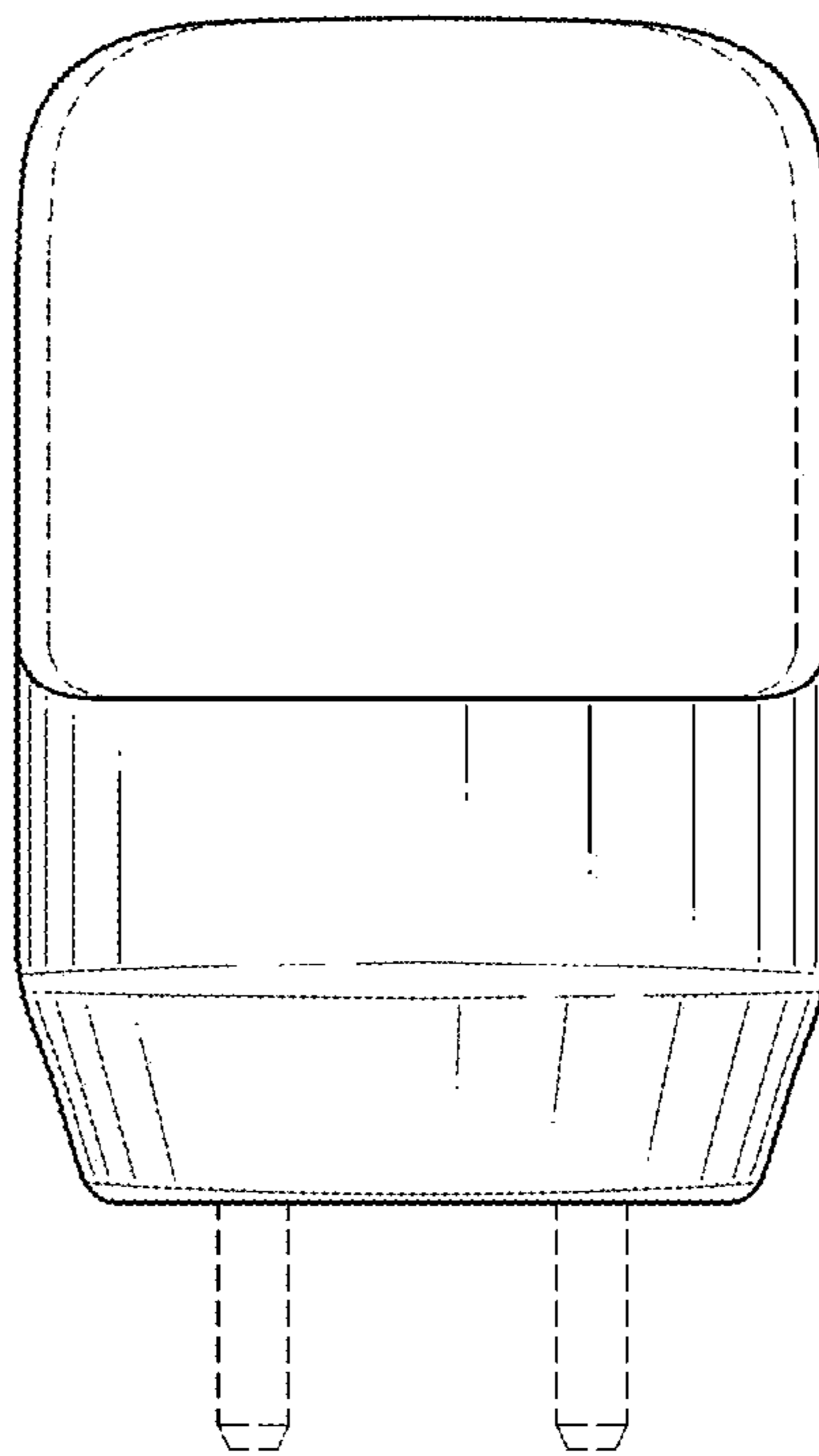


FIG. 7

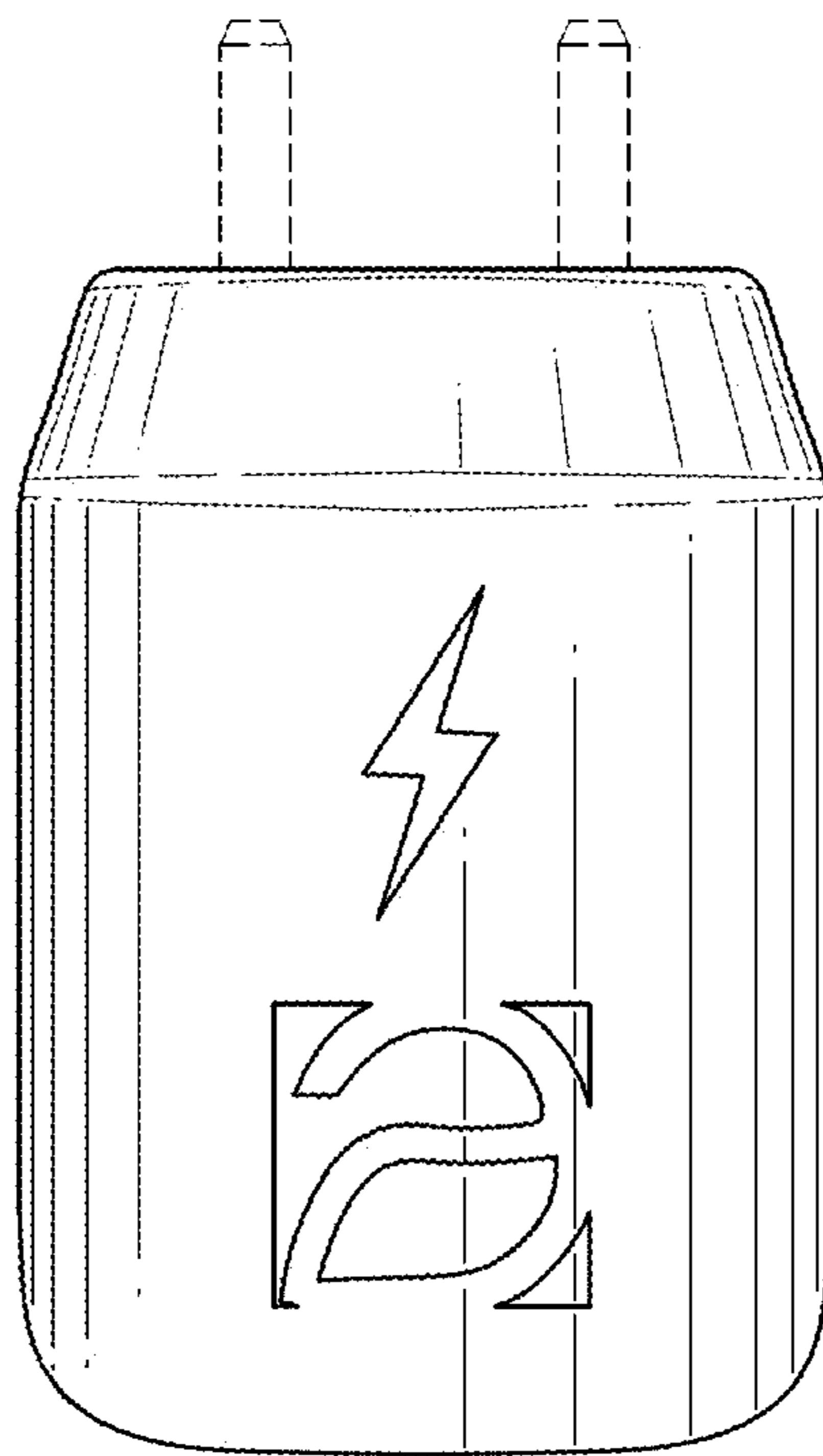


FIG. 8

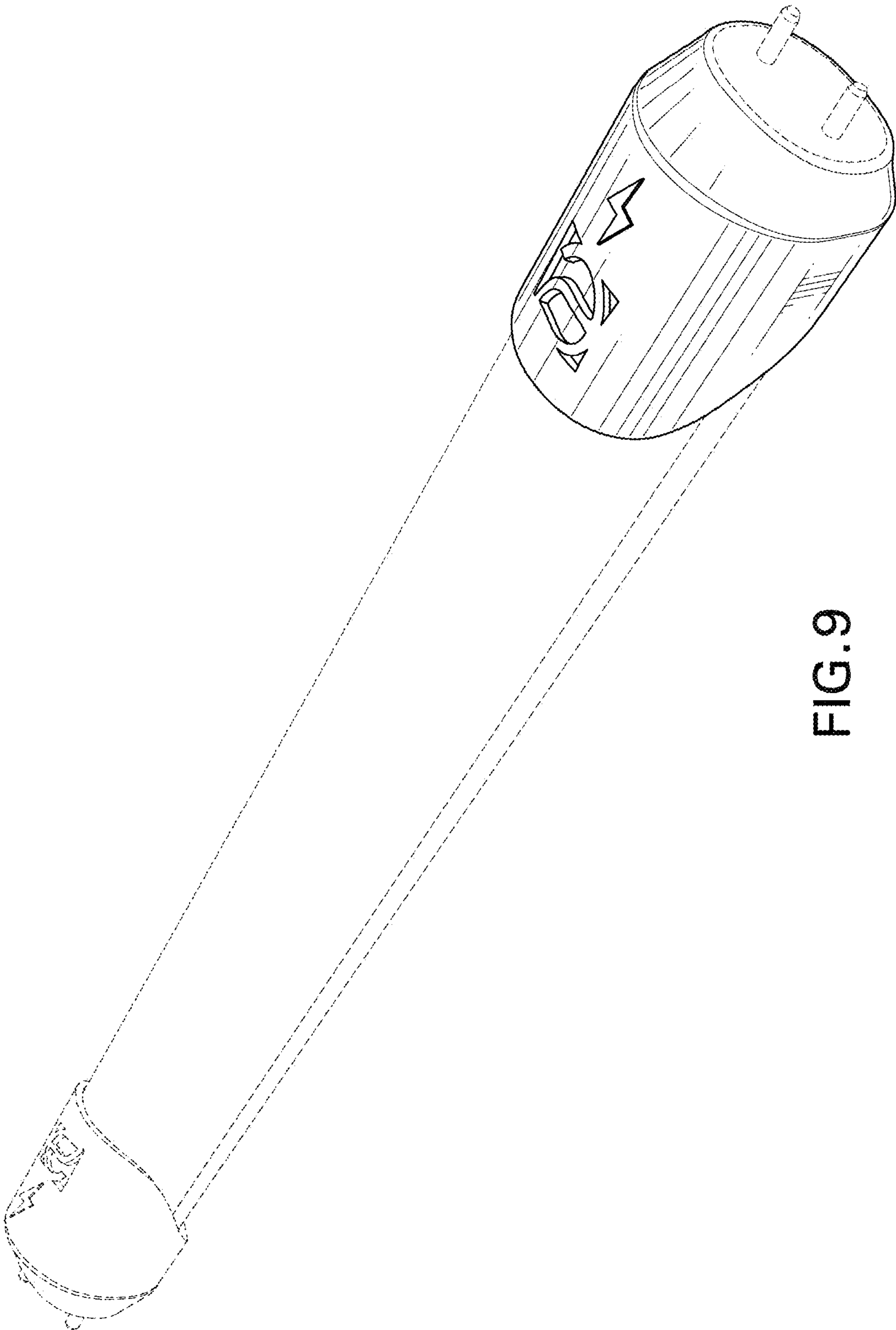


FIG. 9