



US00D783198S

(12) **United States Design Patent** (10) **Patent No.:** **US D783,198 S**  
**Cartellone et al.** (45) **Date of Patent:** **\*\* Apr. 4, 2017**

- (54) **LED ENDCAP**
- (71) Applicant: **Energy Focus, Inc.**, Solon, OH (US)
- (72) Inventors: **Mark Cartellone**, Broadview Heights, OH (US); **Brian Milliff**, Kirtland, OH (US); **Sara Shipley**, Hudson, OH (US)
- (73) Assignee: **ENERGY FOCUS, INC.**, Solon, OH (US)
- (\*\*) Term: **15 Years**
- (21) Appl. No.: **29/554,584**
- (22) Filed: **Feb. 12, 2016**
- (51) **LOC (10) Cl.** ..... **26-99**
- (52) **U.S. Cl.**  
USPC ..... **D26/138; D26/113**
- (58) **Field of Classification Search**  
USPC . D26/76, 78, 79, 80, 81, 82, 83, 85, 88, 90, D26/93, 110, 113, 118, 119, 120, 121, D26/122, 138, 140-142  
CPC .... F21S 4/00; F21S 4/003; F21S 4/006; F21S 4/007; F21S 4/008; F21S 6/004; F21S 6/005; F21K 9/54; F21V 15/01; F21V 15/013  
See application file for complete search history.

- (56) **References Cited**  
U.S. PATENT DOCUMENTS  
D291,556 S \* 8/1987 Engel ..... D26/3  
D448,096 S \* 9/2001 Choi ..... D26/3

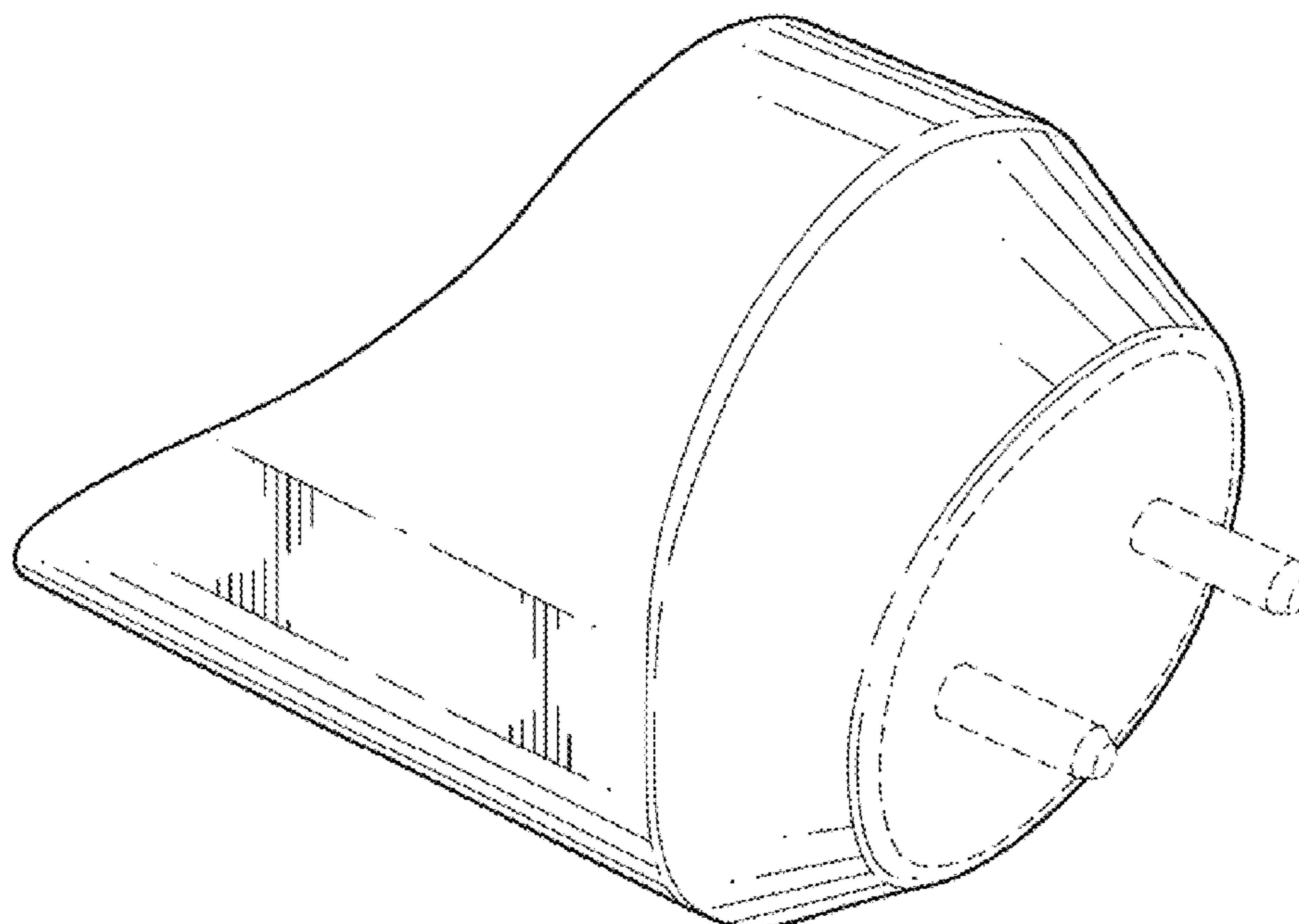
- D513,079 S \* 12/2005 Kluijfhout ..... D26/3
- D516,511 S \* 3/2006 Wiskerke ..... D13/134
- D603,085 S \* 10/2009 Kovacs ..... D26/113
- D603,086 S \* 10/2009 Zayas ..... D26/113
- D616,822 S \* 6/2010 Zayas ..... D13/134
- D650,938 S \* 12/2011 Edwards, Jr. .... D26/138
- D715,987 S \* 10/2014 Pugh ..... D26/113
- 2010/0253226 A1 \* 10/2010 Oki ..... F21V 3/00  
315/113

\* cited by examiner  
*Primary Examiner* — George D Kirschbaum  
*Assistant Examiner* — Natasha Vujcic  
 (74) *Attorney, Agent, or Firm* — Rankin, Hill & Clark LLP

(57) **CLAIM**  
 The ornamental design for a LED endcap, as shown and described.

**DESCRIPTION**  
 FIG. 1 is a front top perspective view of an LED endcap; FIG. 2 is a rear bottom perspective view thereof; FIG. 3 is a front elevation view thereof; FIG. 4 is a rear elevation view thereof; FIG. 5 is a left side elevation view thereof; FIG. 6 is a right side elevation view thereof; FIG. 7 is a top plan view thereof; FIG. 8 is a bottom plan view thereof; and, FIG. 9 is a perspective view of usage thereof. The broken lines in the drawings, which illustrate environmental structure or boundaries of the LED endcap, do not form a part of the claimed design.

**1 Claim, 7 Drawing Sheets**



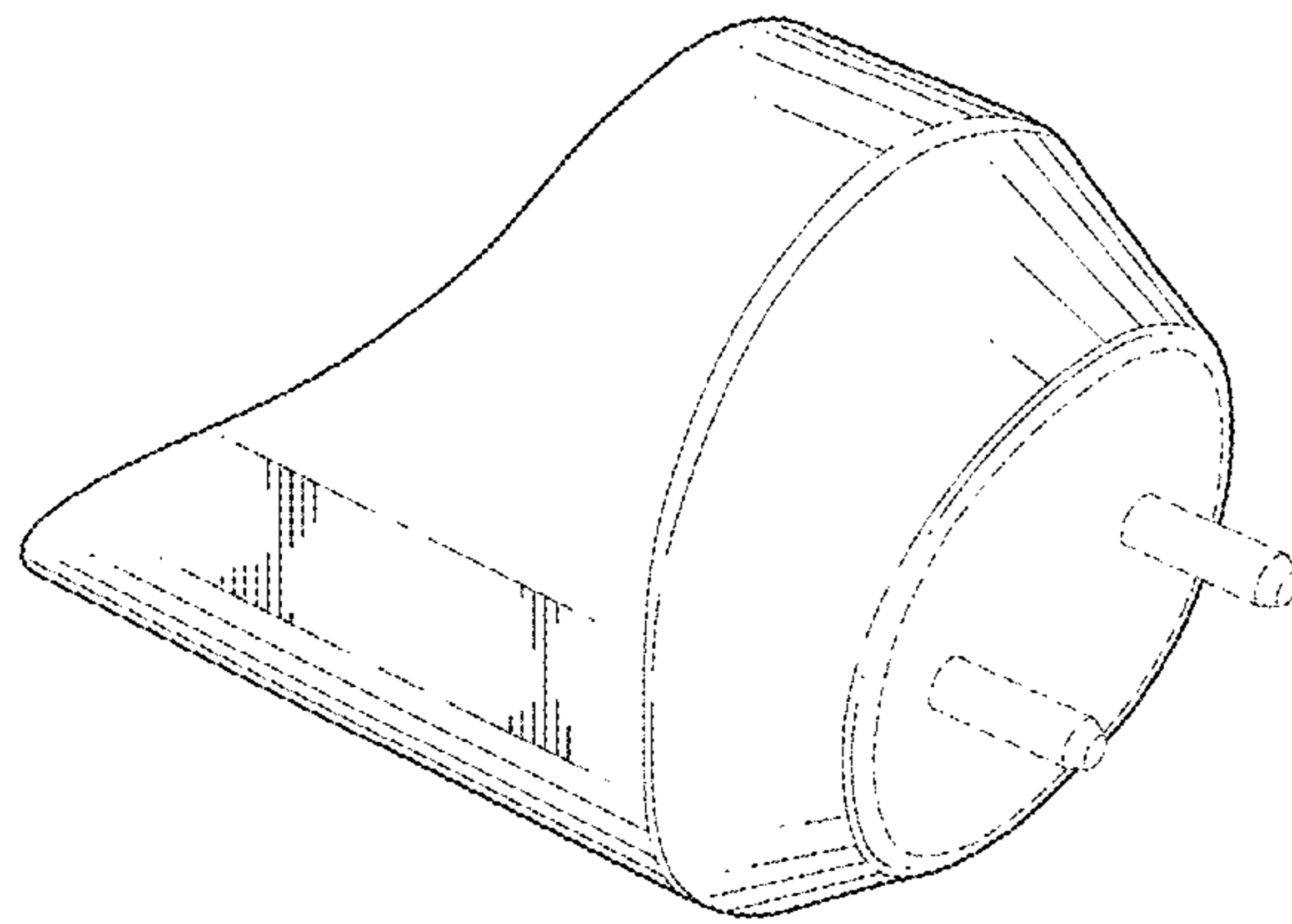


FIG. 1

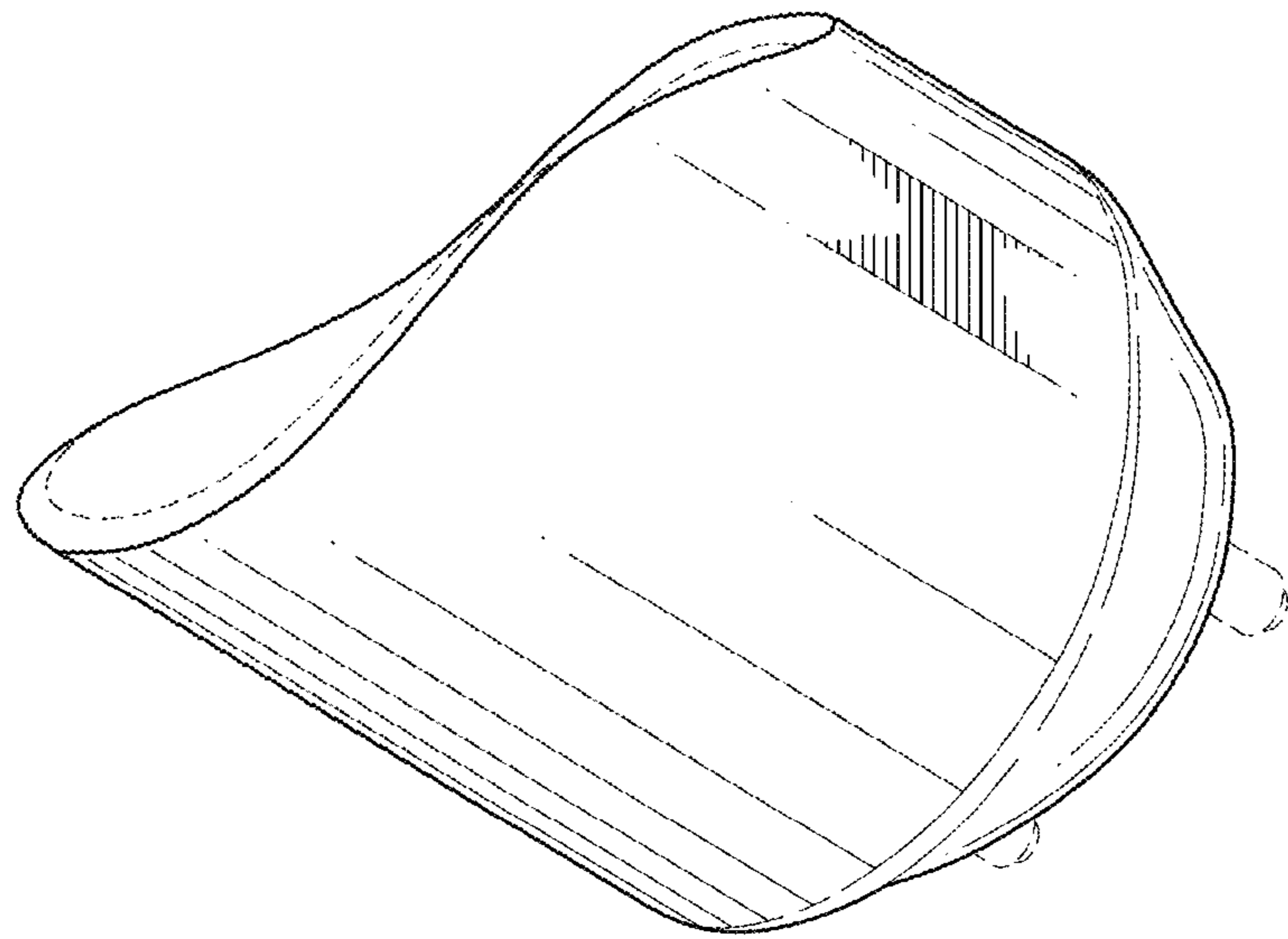


FIG.2

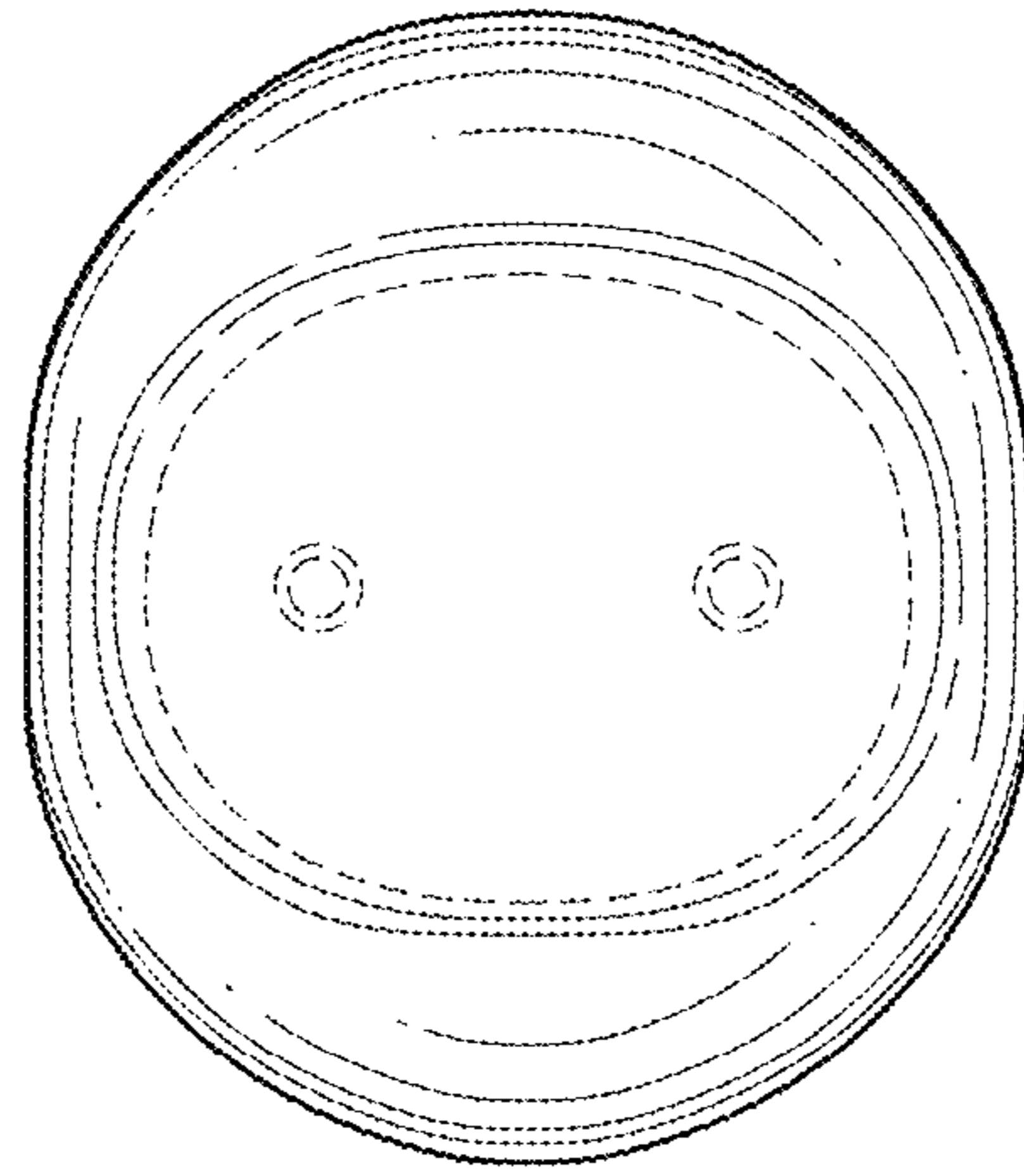


FIG. 3

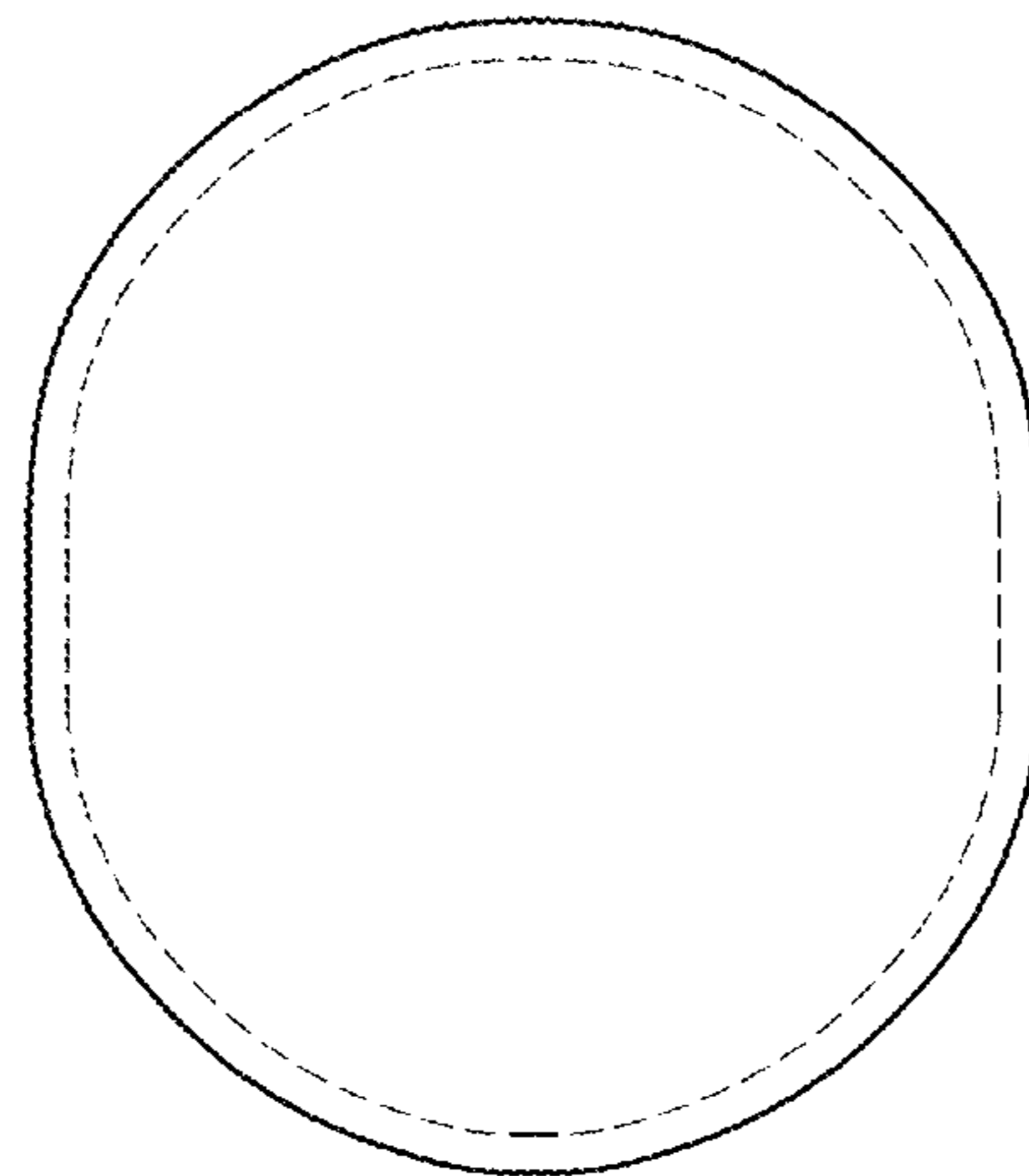


FIG. 4

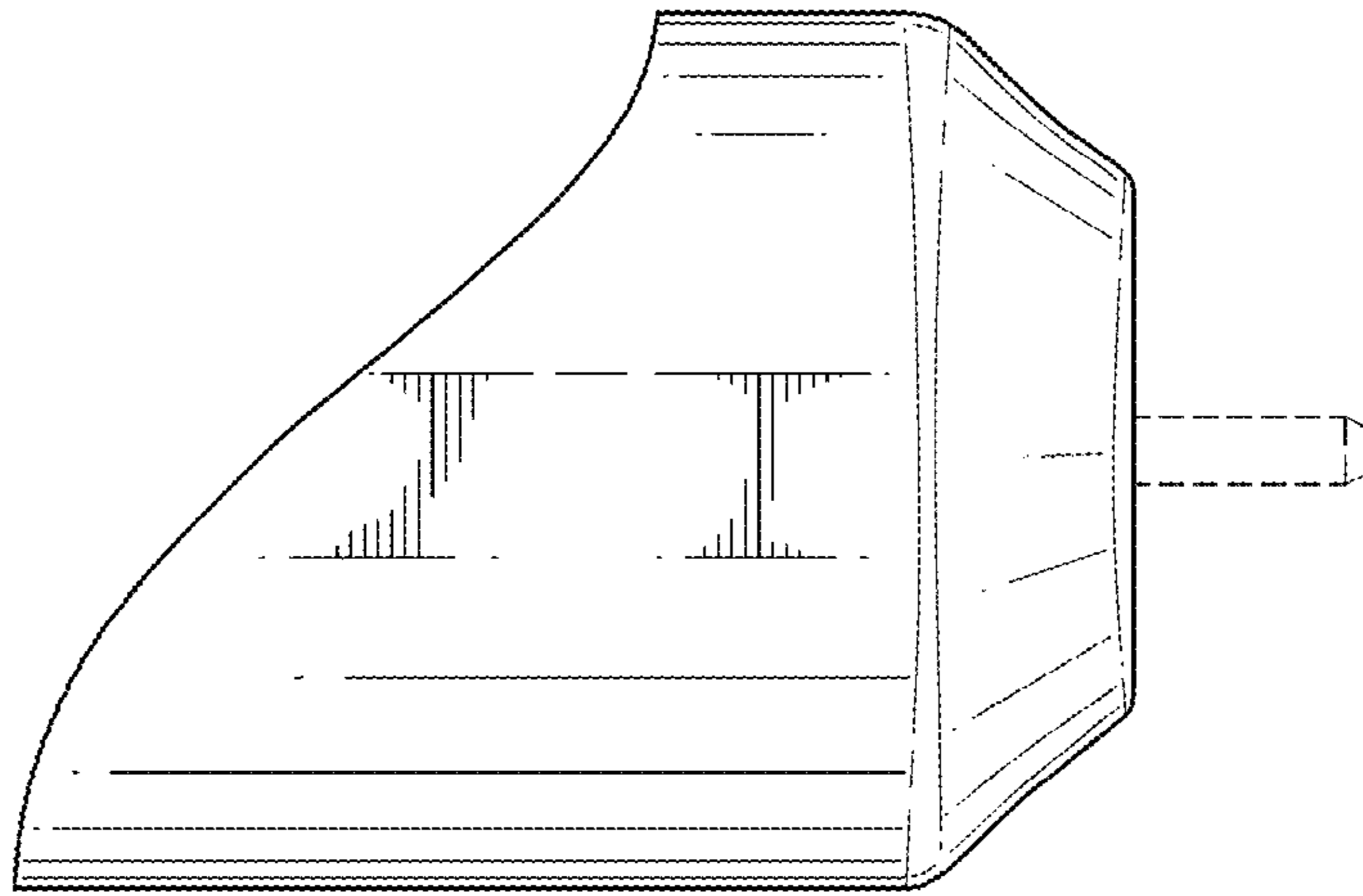


FIG. 5

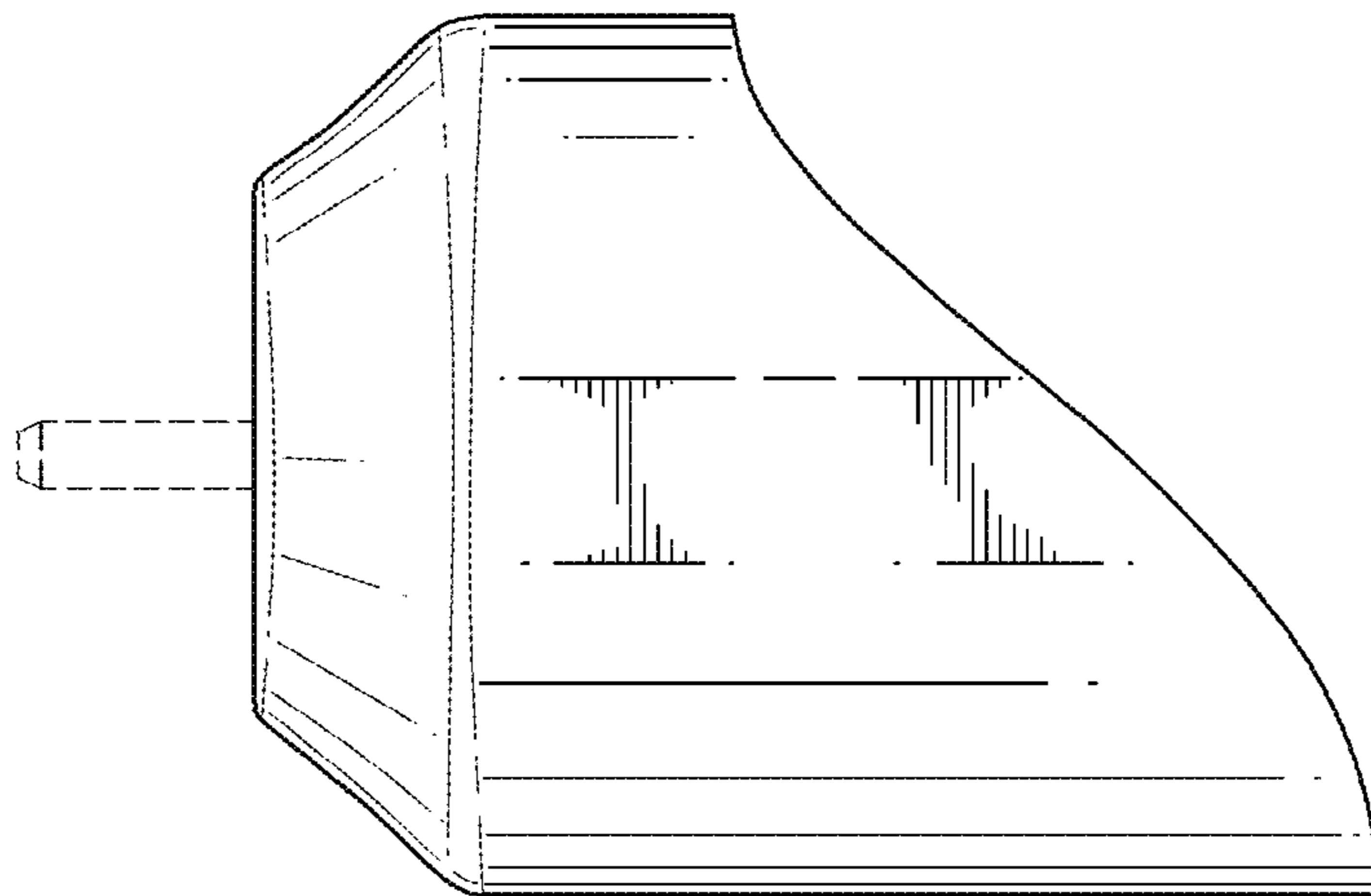


FIG. 6

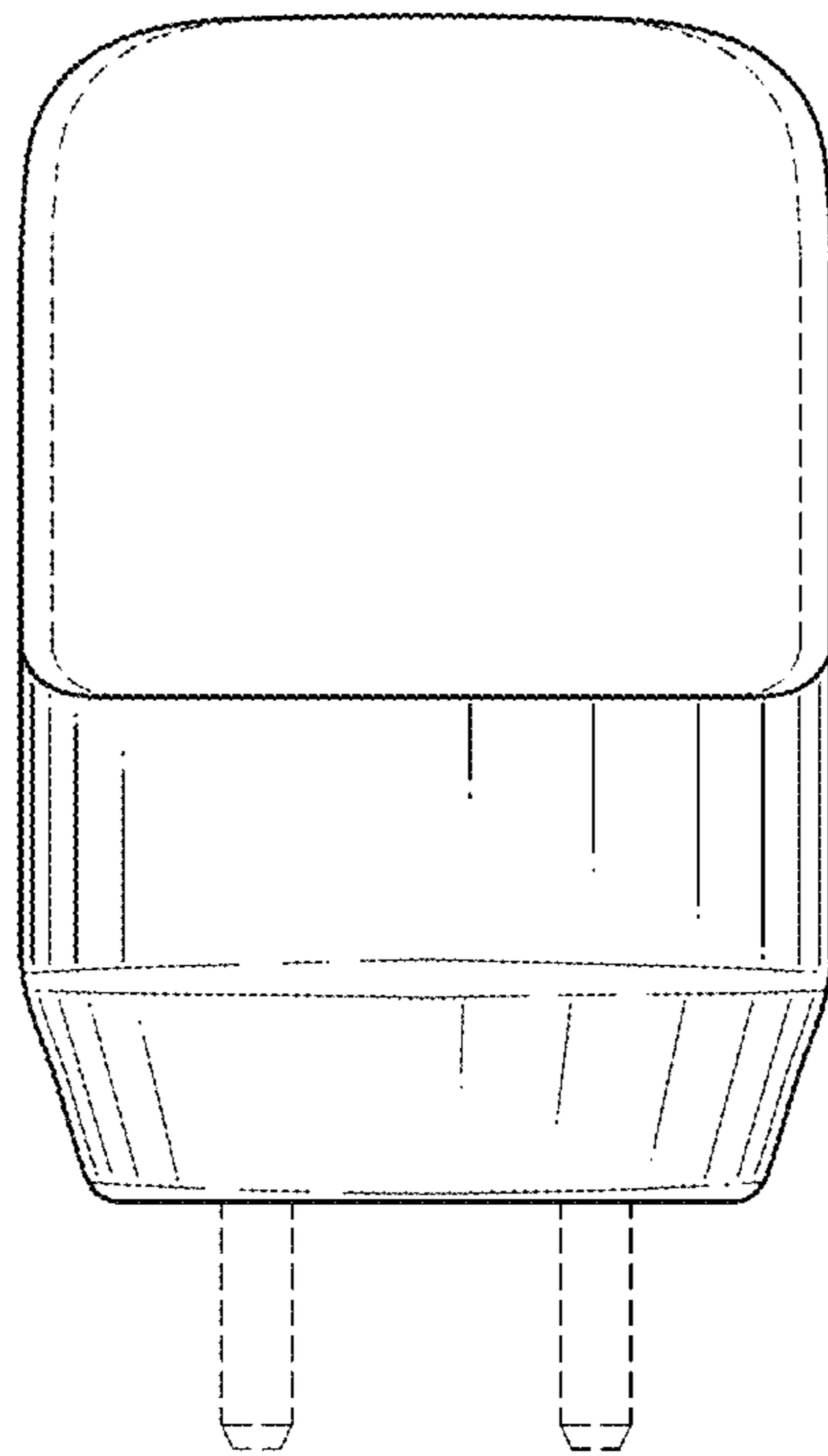


FIG. 7

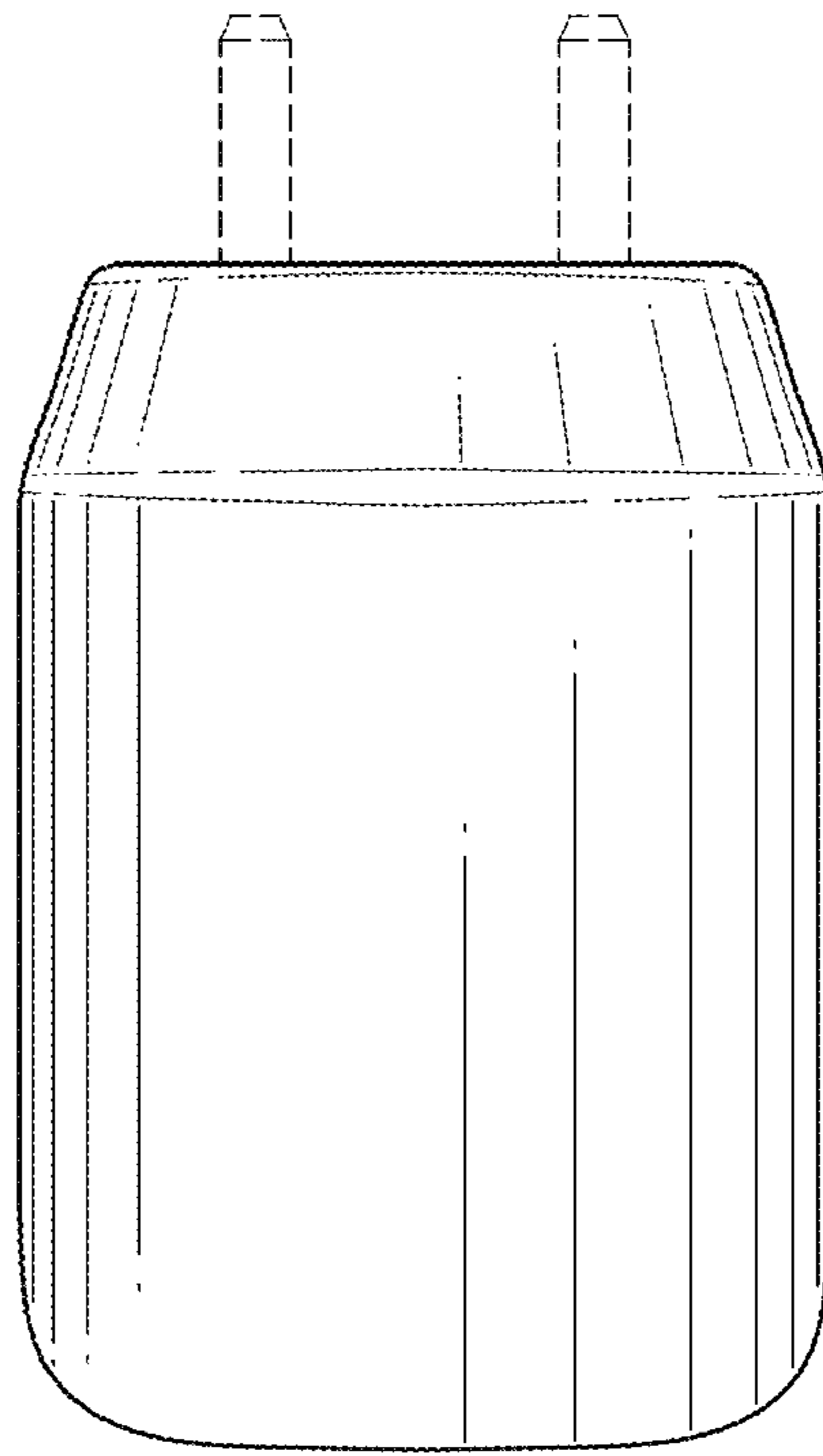


FIG. 8

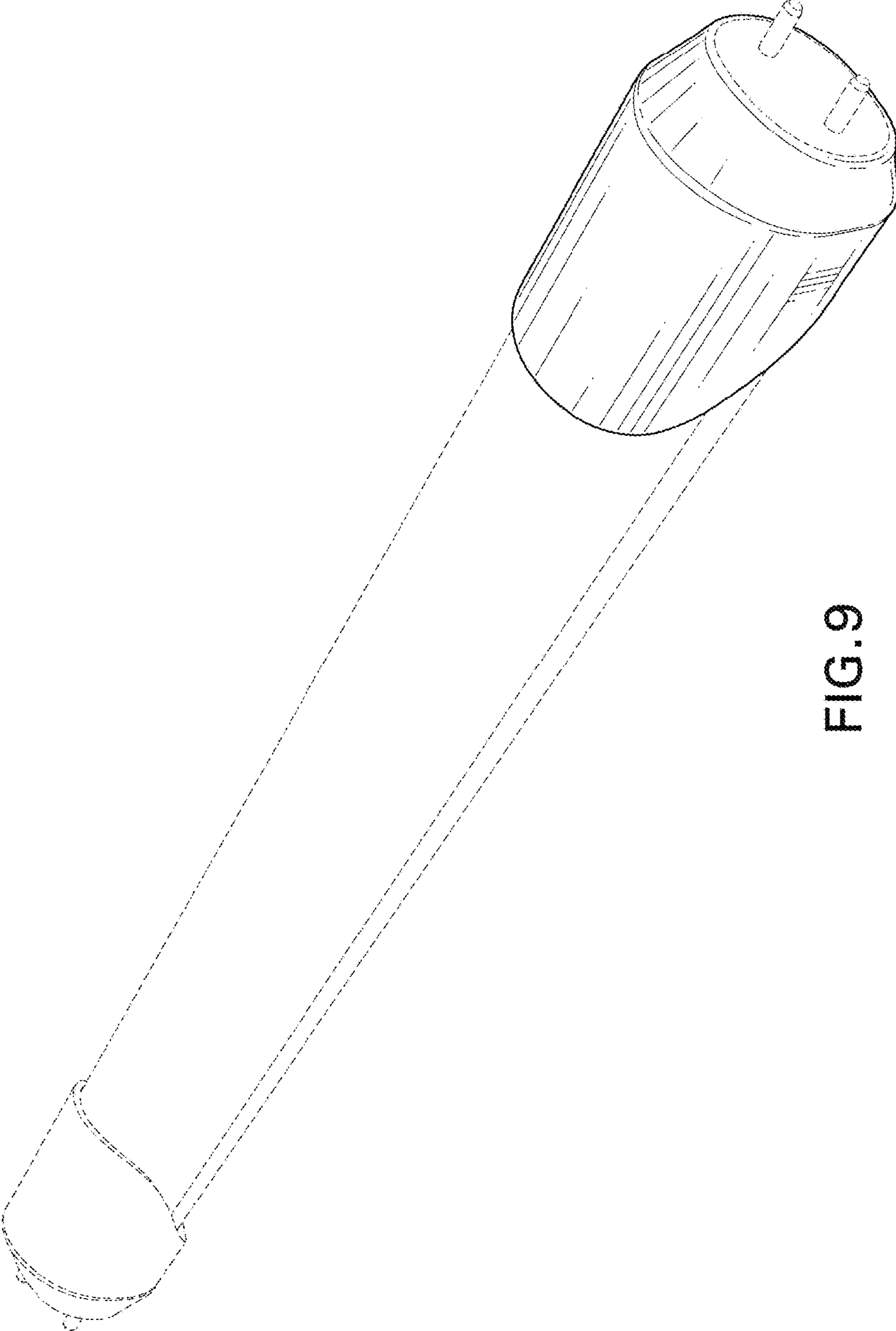


FIG. 9