



US00D783197S

(12) **United States Design Patent**
Arndt et al.

(10) **Patent No.:** **US D783,197 S**

(45) **Date of Patent:** **** Apr. 4, 2017**

(54) **LUMINAIRE**

(71) Applicant: **Oldenburg Group Incorporated,**
Milwaukee, WI (US)

(72) Inventors: **Michael A. Arndt**, Franklin, WI (US);
Scott Louis Nejedlo, Random Lakes,
WI (US); **Jay M. Eissner**, Sheboygan,
WI (US)

(73) Assignee: **Oldenburg Group Incorporated,**
Milwaukee, WI (US)

(**) Term: **15 Years**

(21) Appl. No.: **29/559,644**

(22) Filed: **Mar. 30, 2016**

(51) **LOC (10) Cl.** **26-03**

(52) **U.S. Cl.**
USPC **D26/90**

(58) **Field of Classification Search**
USPC D26/67, 70, 72, 82–86, 88–91, 118, 128,
D26/129, 132

(Continued)

(56) **References Cited**

U.S. PATENT DOCUMENTS

D45,313 S * 2/1914 Schoenhardt D26/88
D90,938 S * 10/1933 Beck D26/88

(Continued)

OTHER PUBLICATIONS

“P2432 Pendant”, Cammonlighting.com, 2016, <http://cammanlighting.com/fixtures/pendants/p2432-details>, 2 pages, Cammon Lighting, Derry, Pennsylvania.

(Continued)

Primary Examiner — Clare E Heflin

(74) *Attorney, Agent, or Firm* — Michael Best & Friedrich LLP

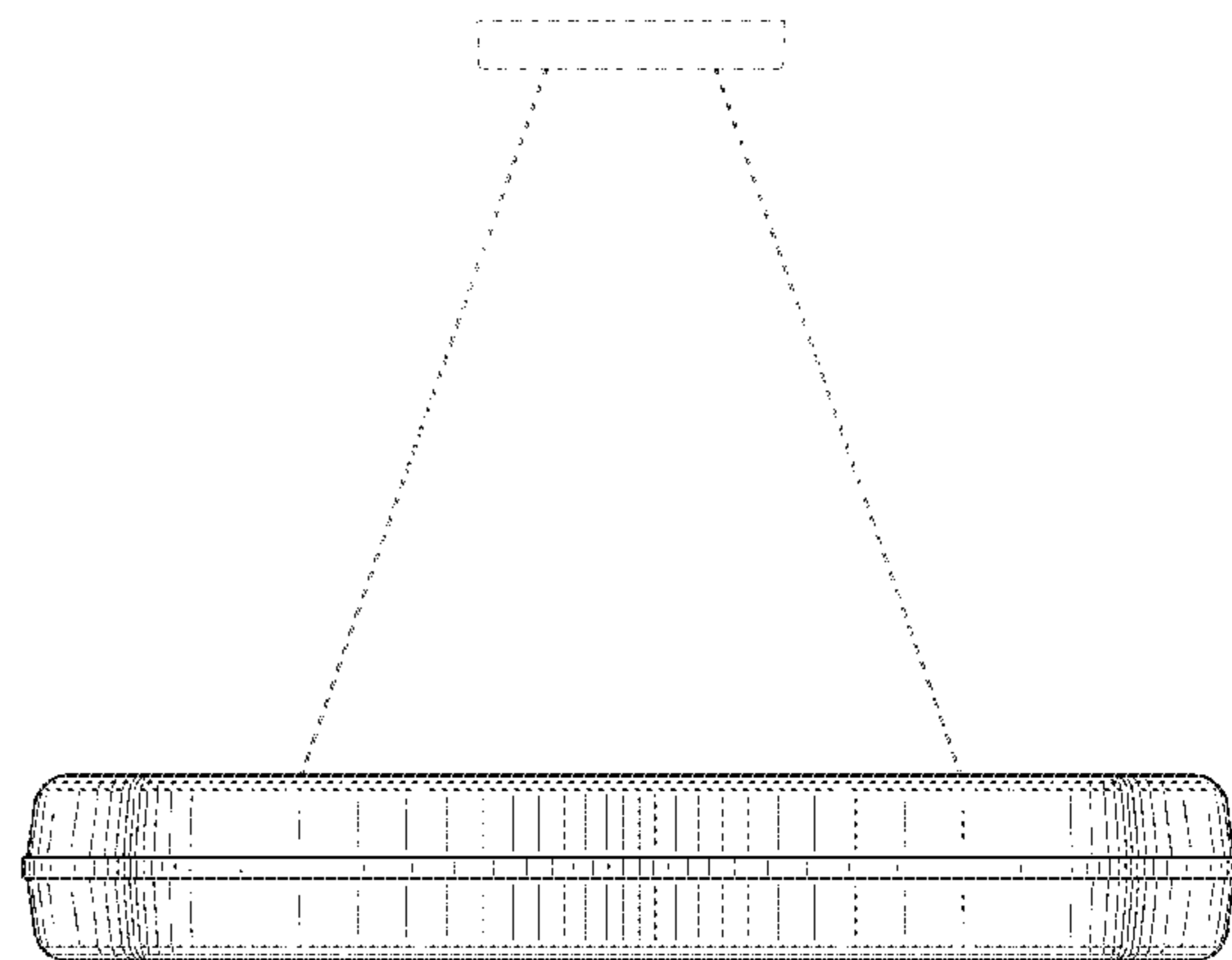
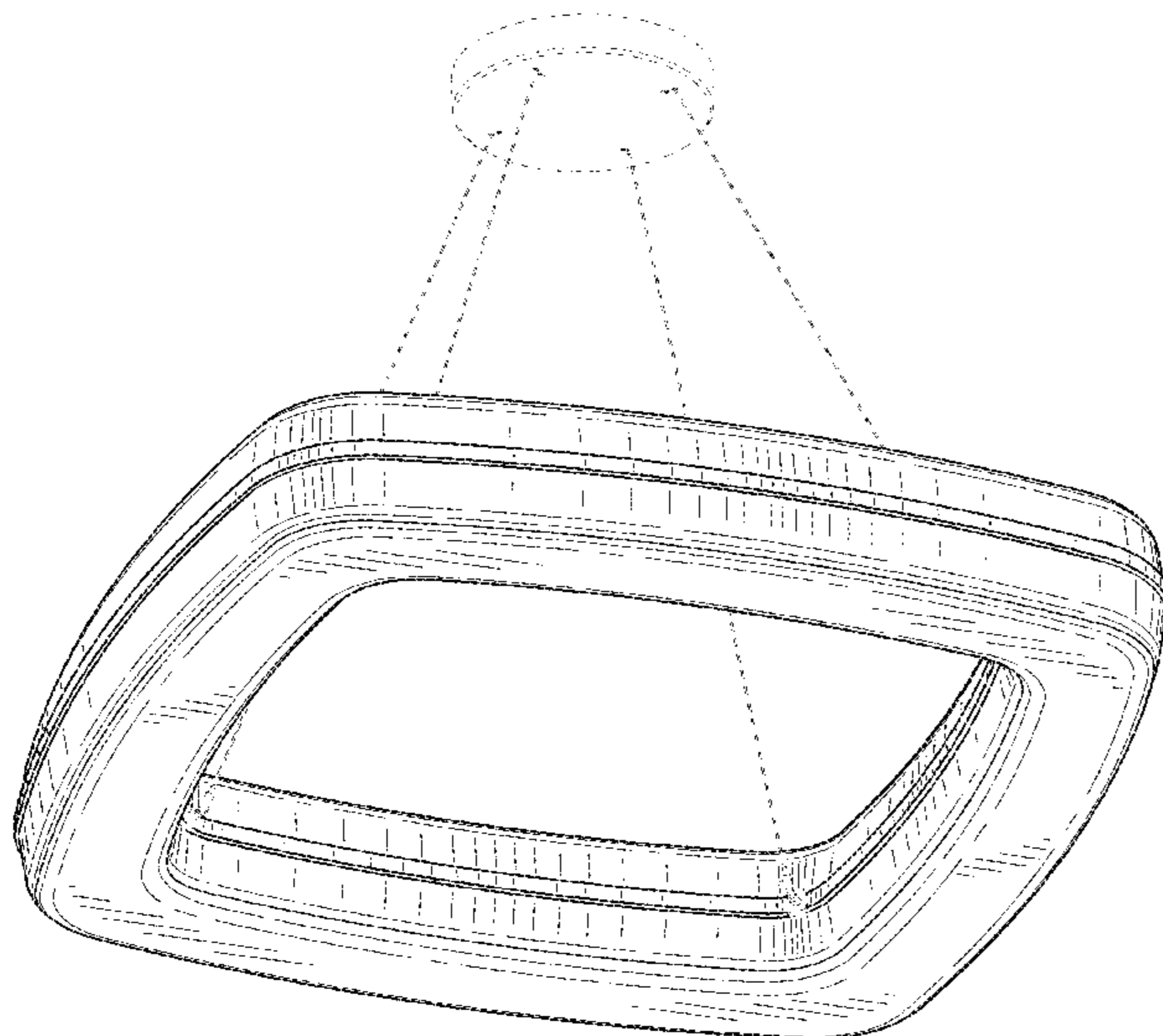
(57) **CLAIM**

We claim the ornamental design for a luminaire, as shown and described.

DESCRIPTION

FIG. 1 is a perspective view of a luminaire.
FIG. 2 is a front view of the luminaire shown in FIG. 1.
FIG. 3 is a rear view of the luminaire shown in FIG. 1.
FIG. 4 is a right side view of the luminaire shown in FIG. 1.
FIG. 5 is a left side view of the luminaire shown in FIG. 1.
FIG. 6 is a top view of the luminaire shown in FIG. 1.
FIG. 7 is a bottom view of the luminaire shown in FIG. 1.
FIG. 8 is a perspective view of a luminaire.
FIG. 9 is a front view of the luminaire shown in FIG. 8.
FIG. 10 is a rear view of the luminaire shown in FIG. 8.
FIG. 11 is a right side view of the luminaire shown in FIG. 8.
FIG. 12 is a left side view of the luminaire shown in FIG. 8.
FIG. 13 is a top view of the luminaire shown in FIG. 8.
FIG. 14 is a bottom view of the luminaire shown in FIG. 8.
FIG. 15 is a perspective view of a luminaire.
FIG. 16 is a front view of the luminaire shown in FIG. 15.
FIG. 17 is a rear view of the luminaire shown in FIG. 15.
FIG. 18 is a right side view of the luminaire shown in FIG. 15.
FIG. 19 is a left side view of the luminaire shown in FIG. 15.
FIG. 20 is a top view of the luminaire shown in FIG. 15; and
FIG. 21 is a bottom view of the luminaire shown in FIG. 15.
The ceiling mount and suspension elements are shown in broken lines in the drawings to depict portions of the lighting fixture that form no part of the claimed design.

1 Claim, 15 Drawing Sheets



(58) **Field of Classification Search**

CPC F21S 8/06; F21S 8/061; F21S 8/063; F21S
8/065; F21S 8/068; F21V 3/0418; F21V
3/0427; F21V 3/0436; F21V 3/0445;
F21V 21/008; F21V 21/104

See application file for complete search history.

D698,983 S *	2/2014	Rampolla	D26/88
D768,905 S *	10/2016	Sonneman	D26/88
D768,906 S *	10/2016	Sonneman	D26/88
2015/0285451 A1*	10/2015	Luo	F21S 8/061 362/96
2015/0338038 A1*	11/2015	Feit	F21S 8/061 362/147

(56)

References Cited

U.S. PATENT DOCUMENTS

D128,478 S *	7/1941	Carter, Jr.	D26/91
D315,612 S *	3/1991	Hughes	D26/85
D321,408 S *	11/1991	Hughes	D26/85
D321,933 S *	11/1991	Markwardt	D23/377
D477,104 S *	7/2003	Wang	D26/72
D482,484 S *	11/2003	Benghozi	D26/85
D482,485 S *	11/2003	Benghozi	D26/85
D593,704 S *	6/2009	Lovegrove	D26/84
D596,338 S *	7/2009	Sabernig	D26/88
D672,493 S *	12/2012	Lee	D26/88

OTHER PUBLICATIONS

“Zenith Series”, Prulite.com, <http://www.prulite.com/series/zenith/>, 2 pages, Prudential LTG., Los Angeles, California.
 “Cylindro II Lux White LED with Opal Acrylic Diffuser”, [delraylighting.com, http://www.delraylighting.com/spec_pg_pdfs/cylindro2_lux.pdf](http://www.delraylighting.com/spec_pg_pdfs/cylindro2_lux.pdf), Feb. 2016, 2 pages, Delray Lighting Inc., Burbank, California.
 “Cylindro III Lux White LED with Opal Acrylic Diffuser”, http://www.delraylighting.com/spec_pg_pdfs/cylindro3_lux.pdf, Feb. 2016, 2 pages, Delray Lighting Inc., Burbank, California.

* cited by examiner

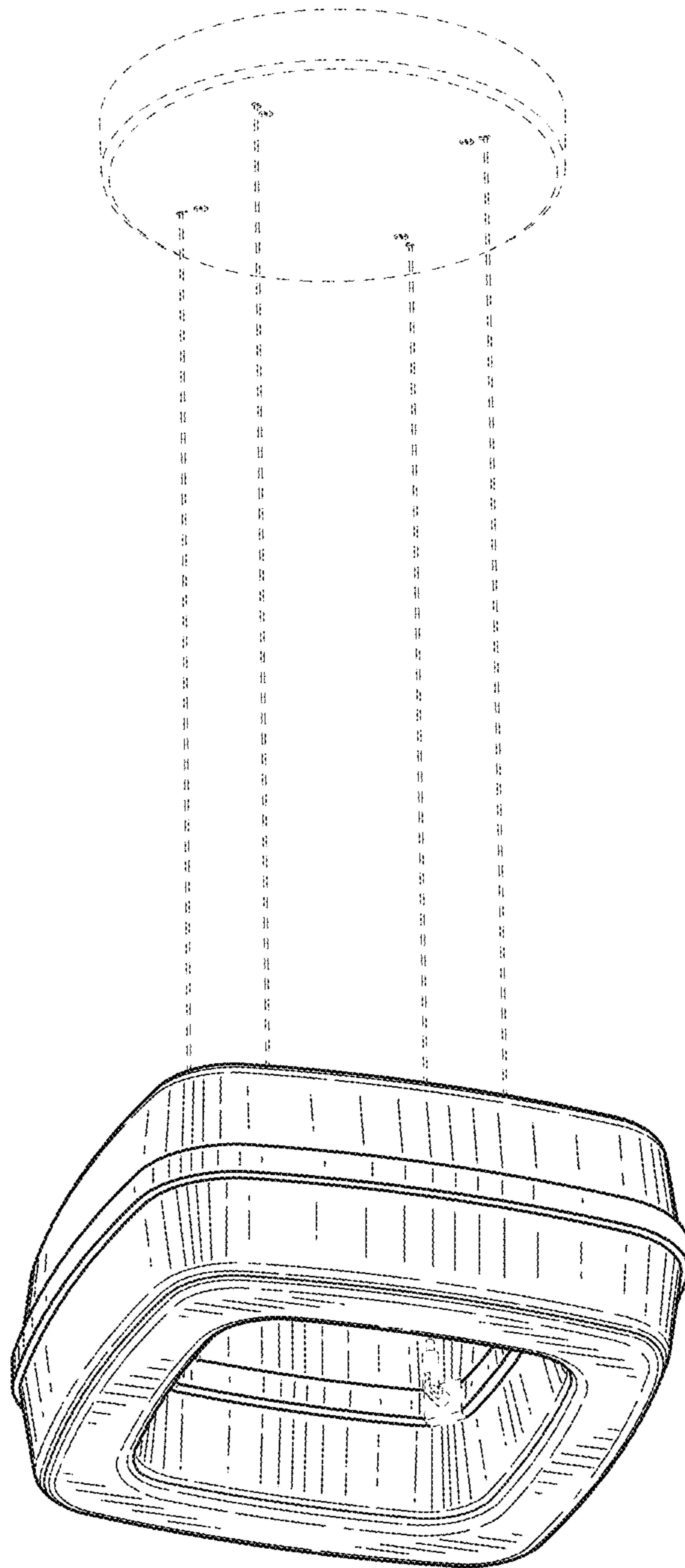


FIG. 1

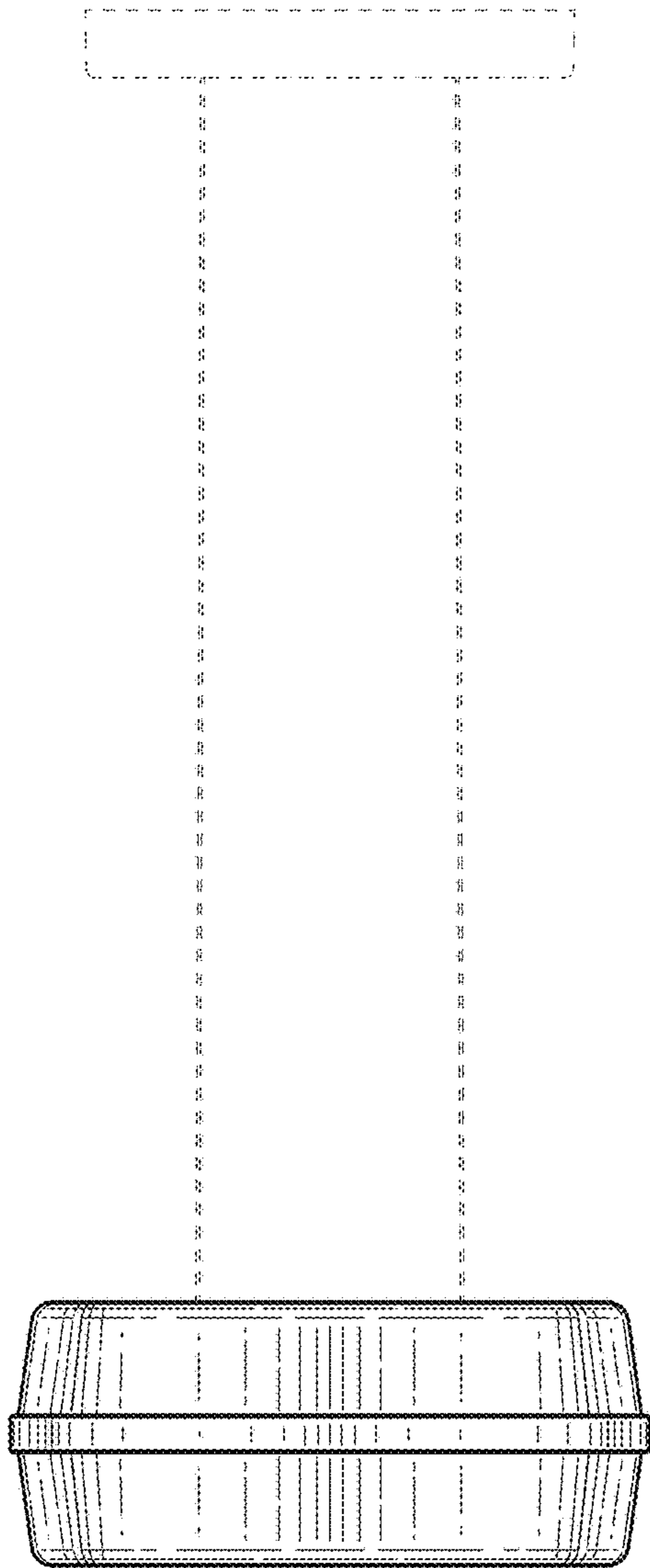


FIG. 2

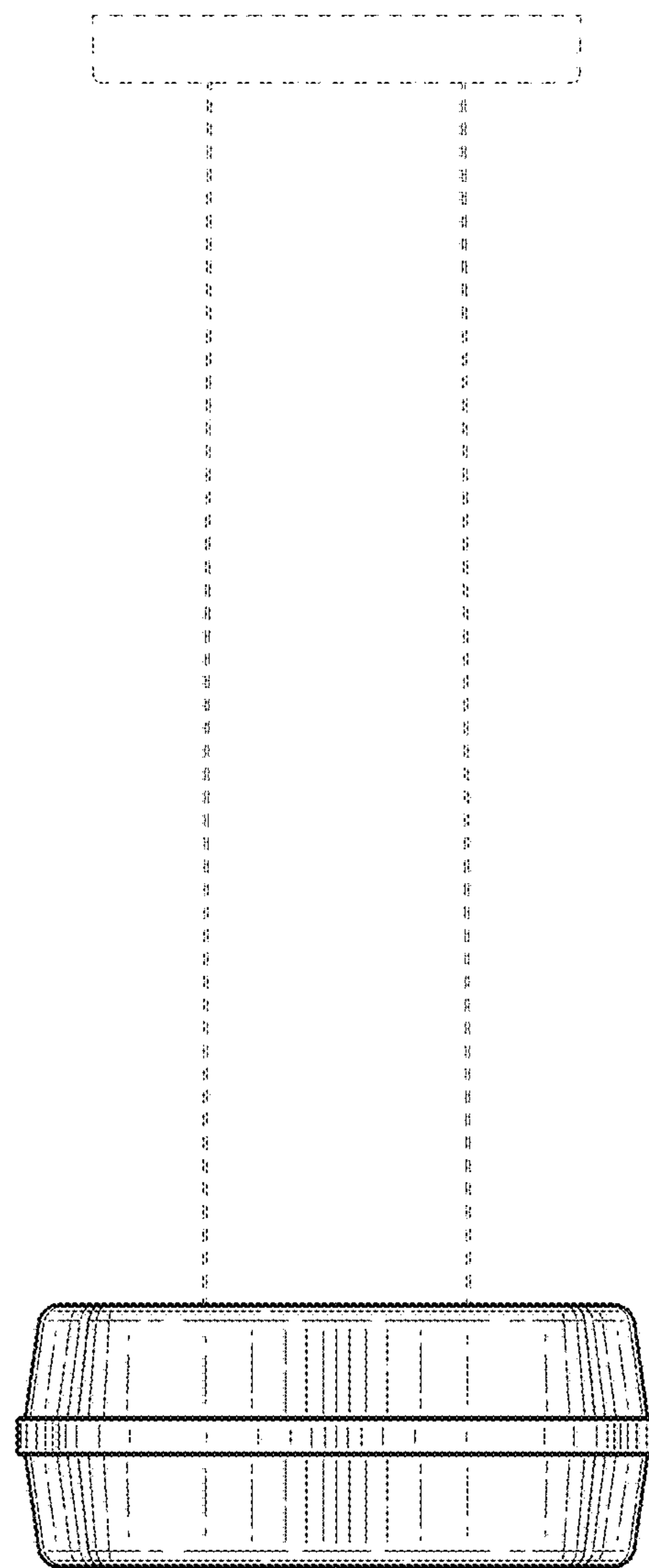


FIG. 3

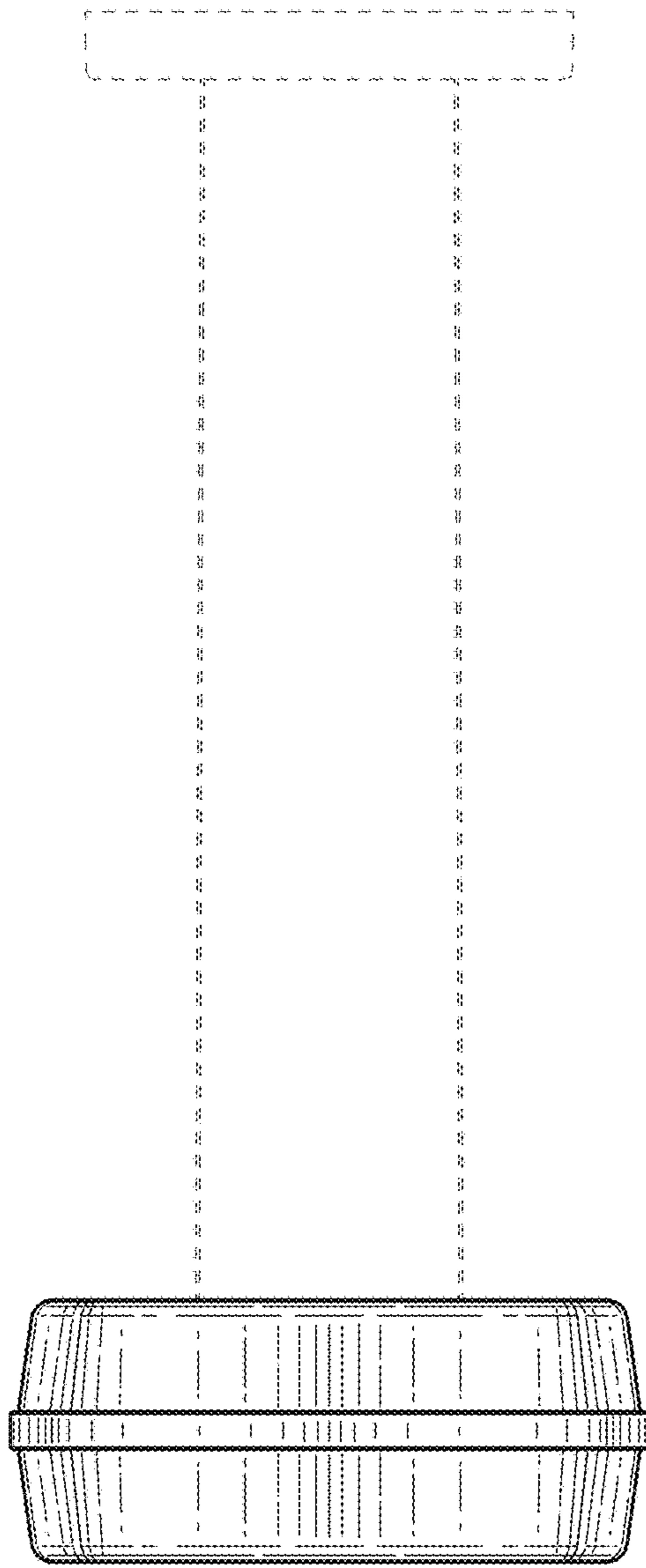


FIG. 4

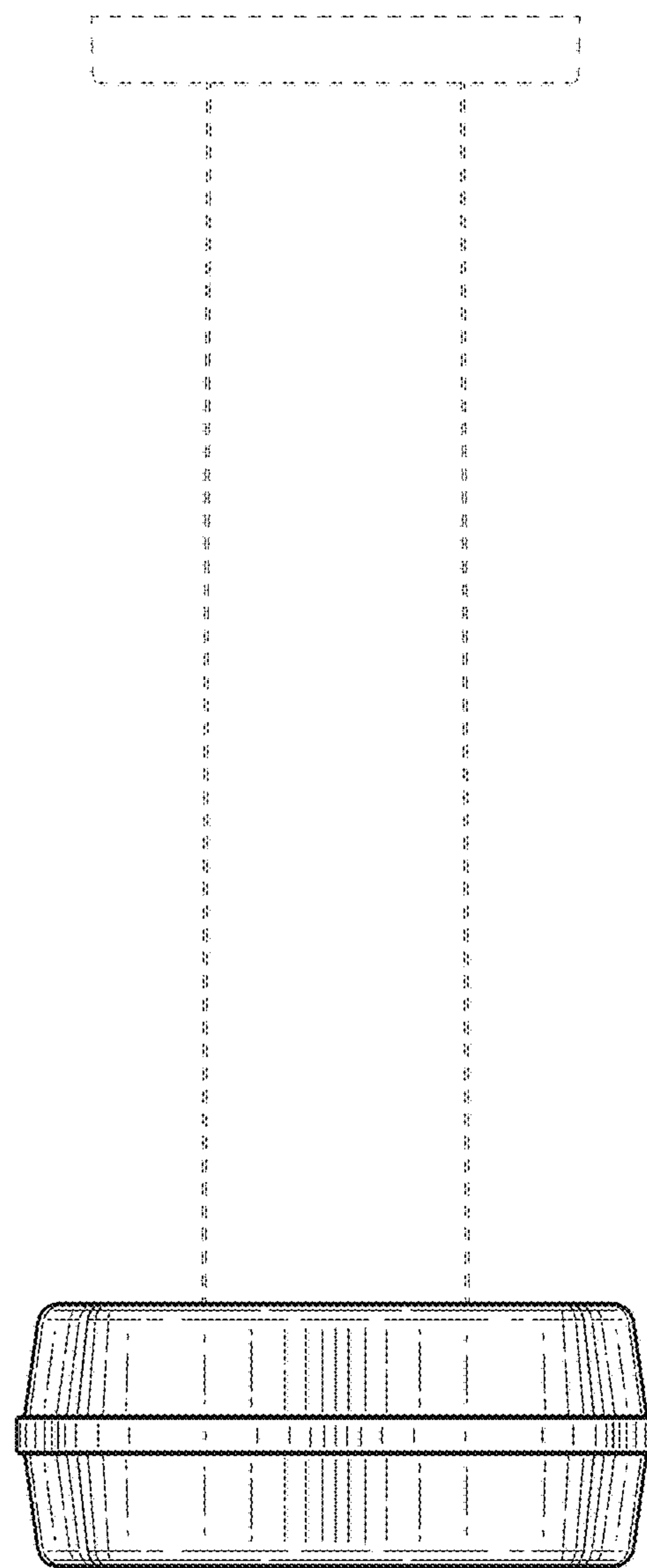


FIG. 5

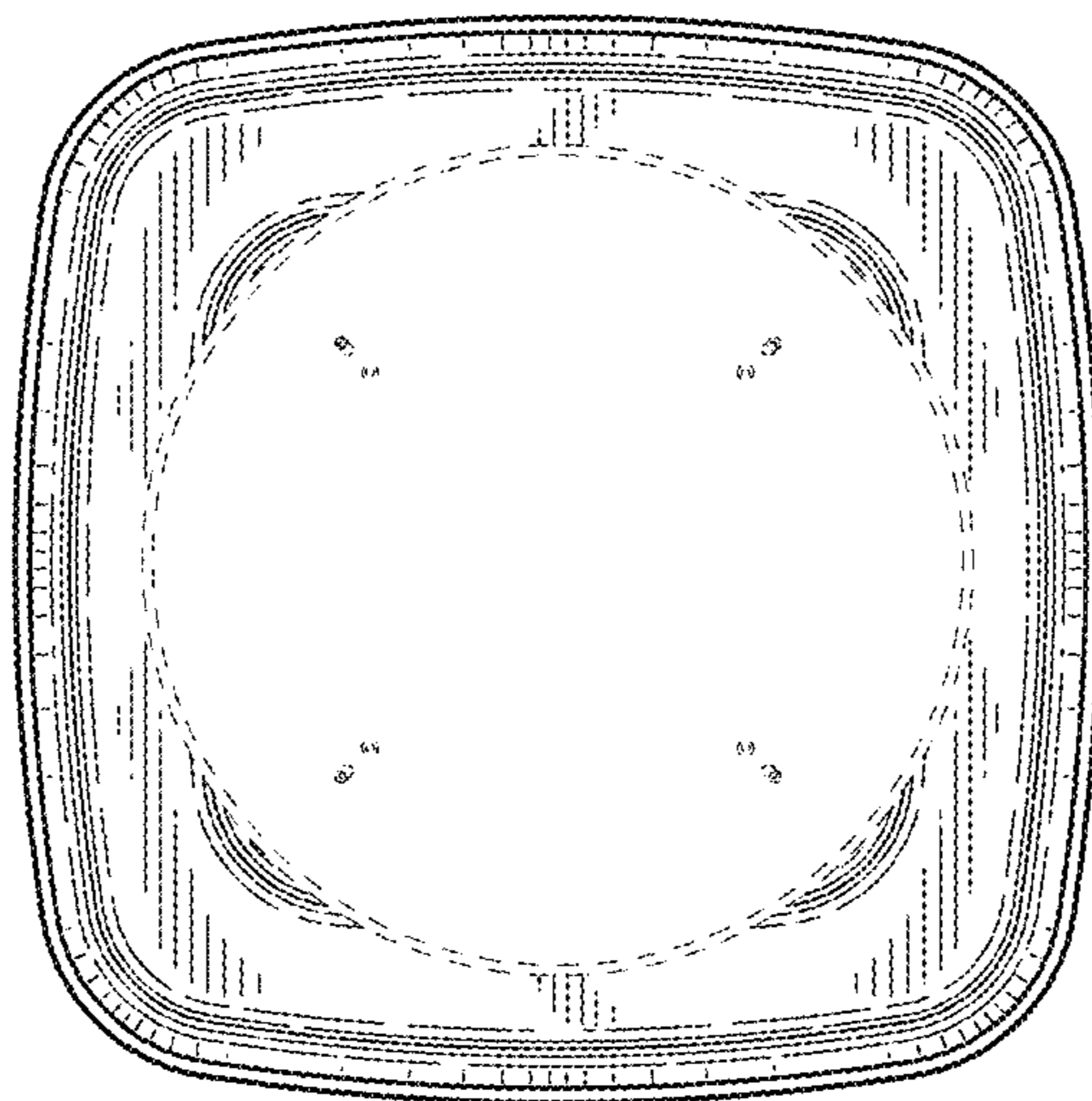


FIG. 6

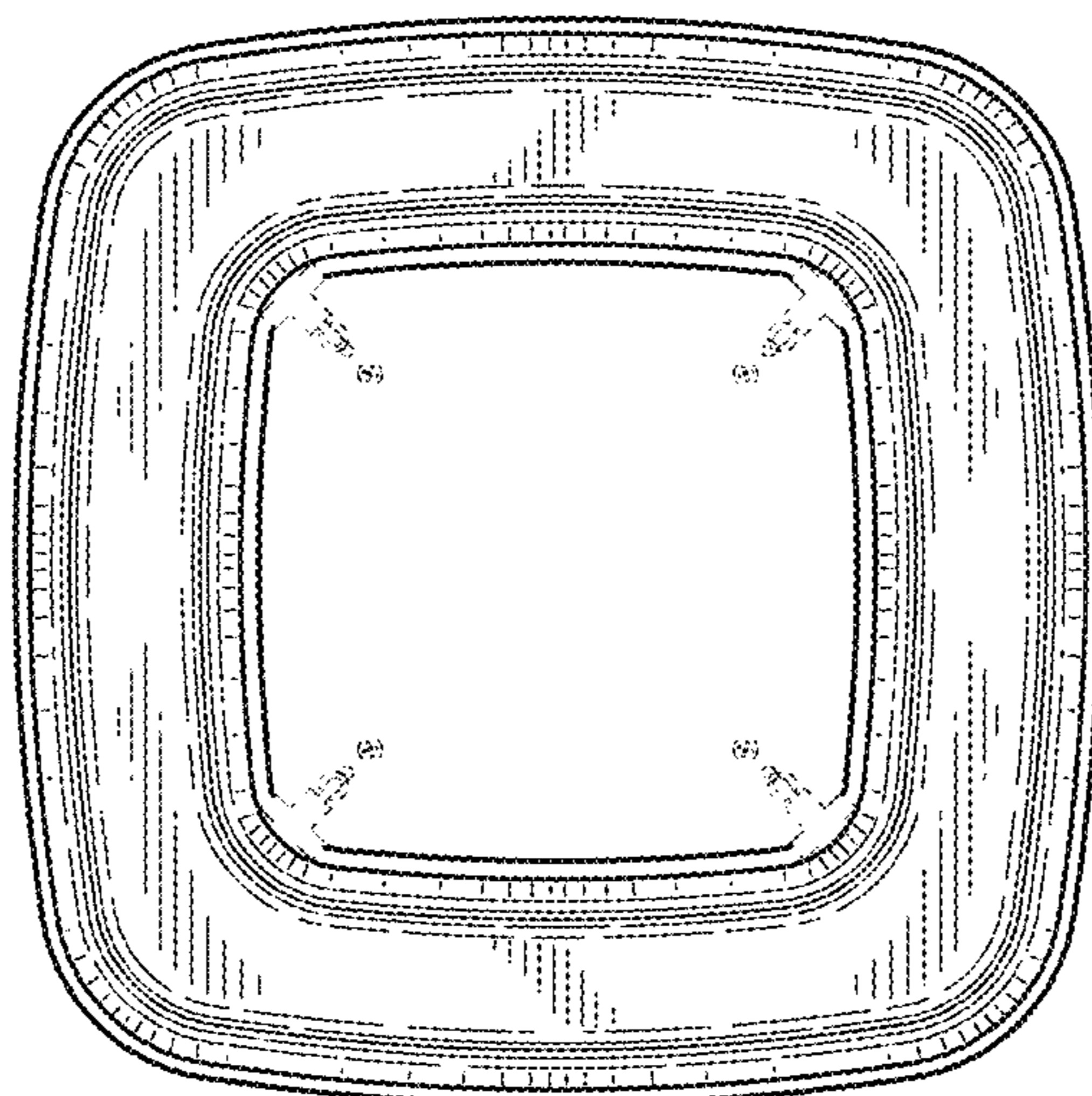


FIG. 7

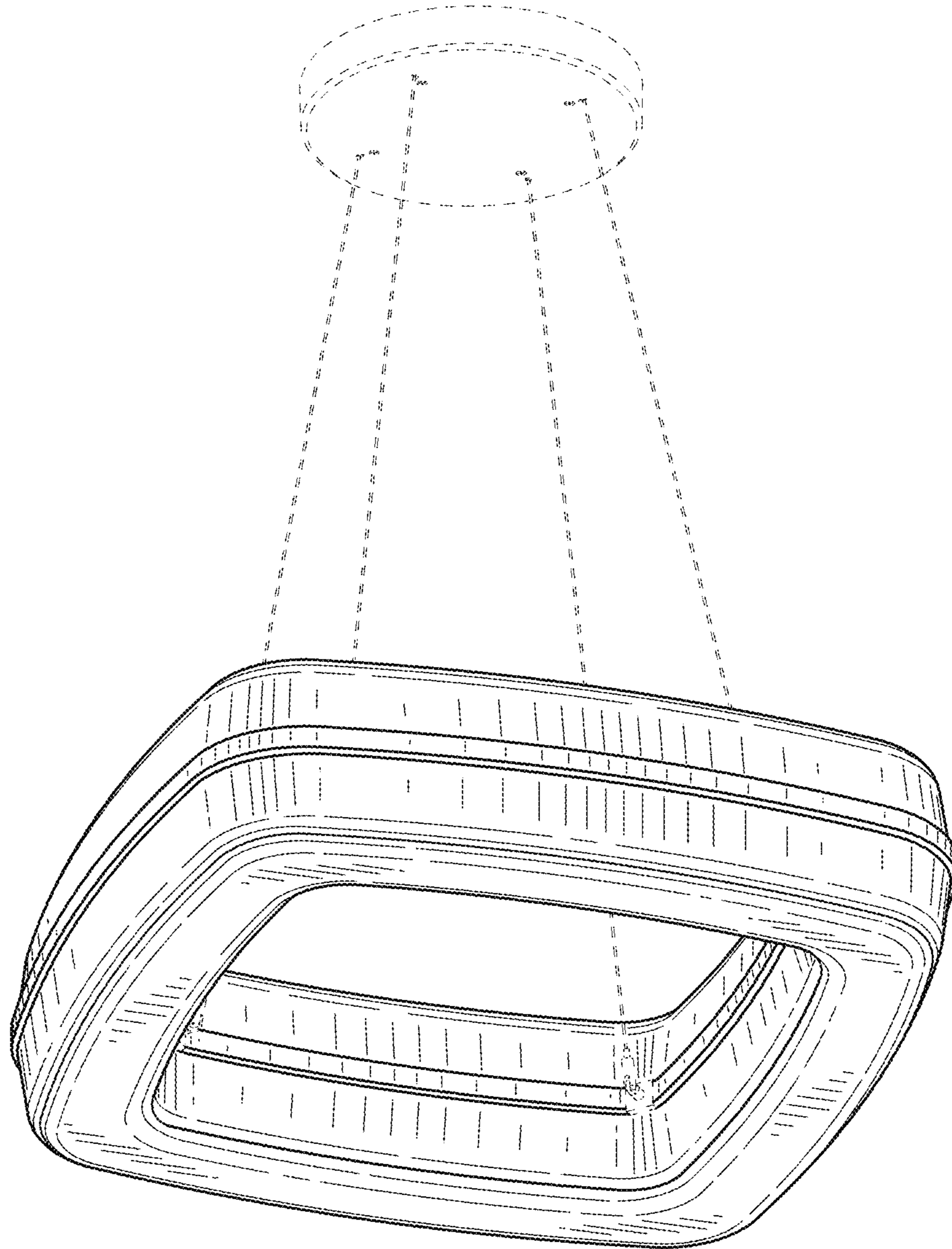


FIG. 8

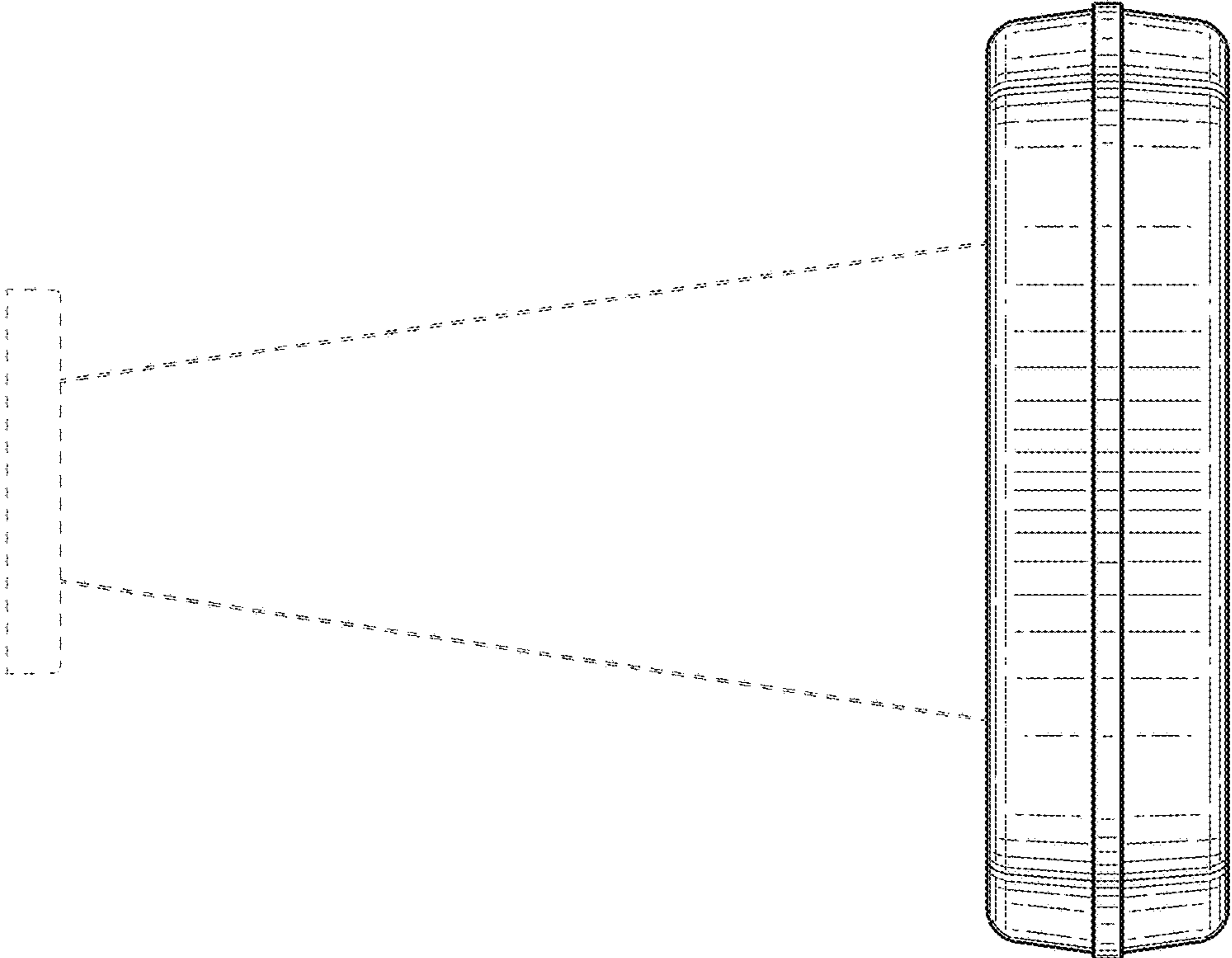


FIG. 10

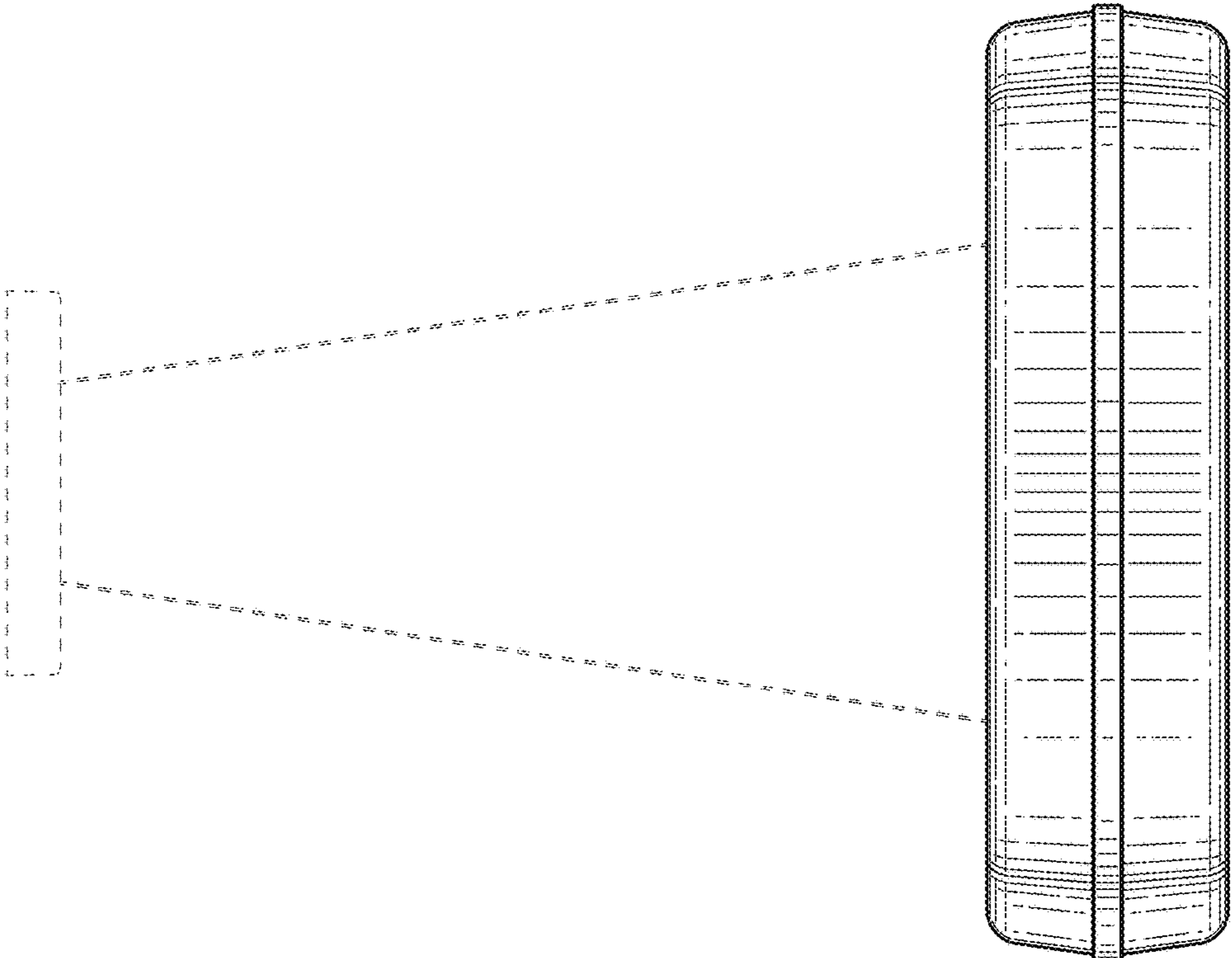


FIG. 9

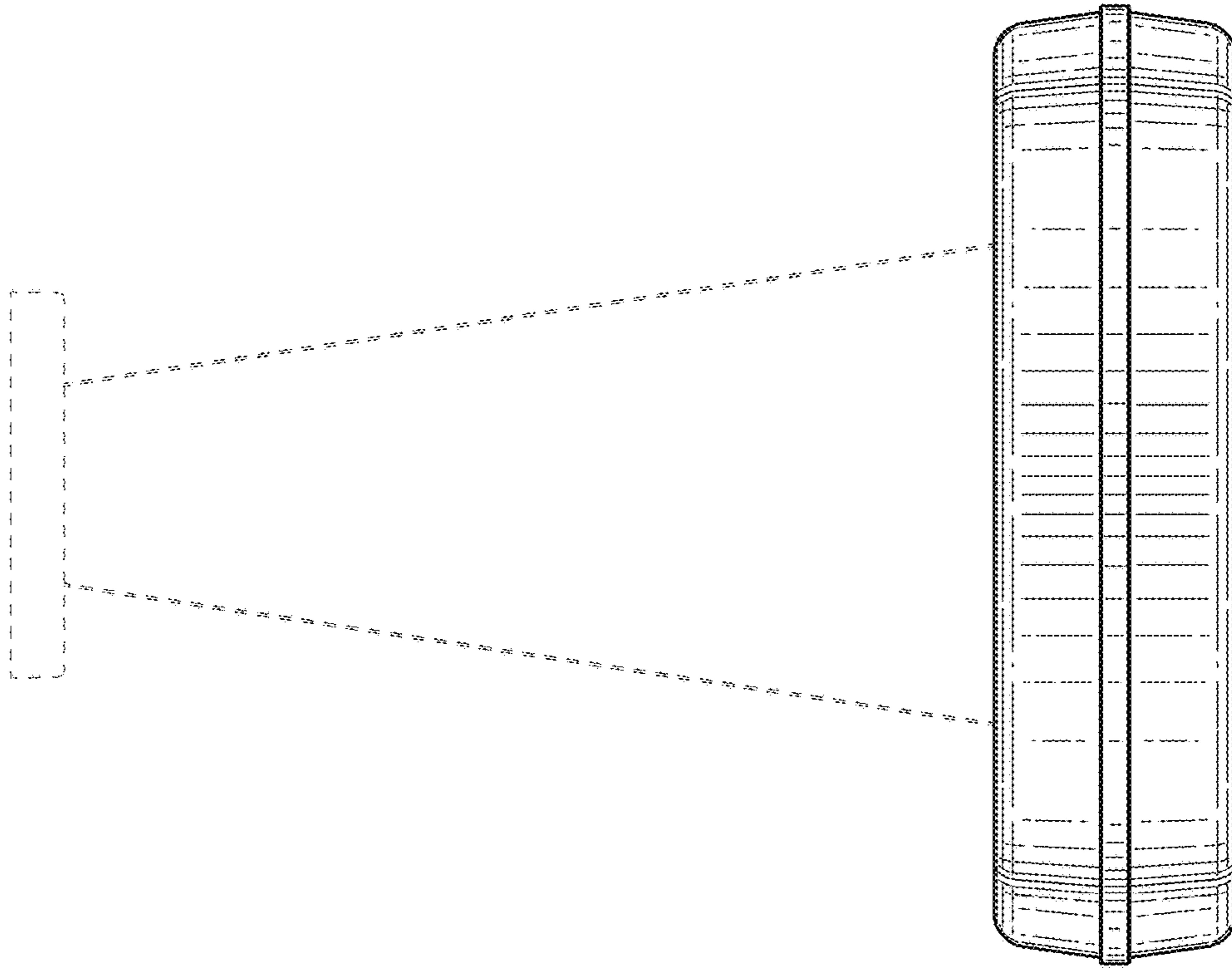


FIG. 12

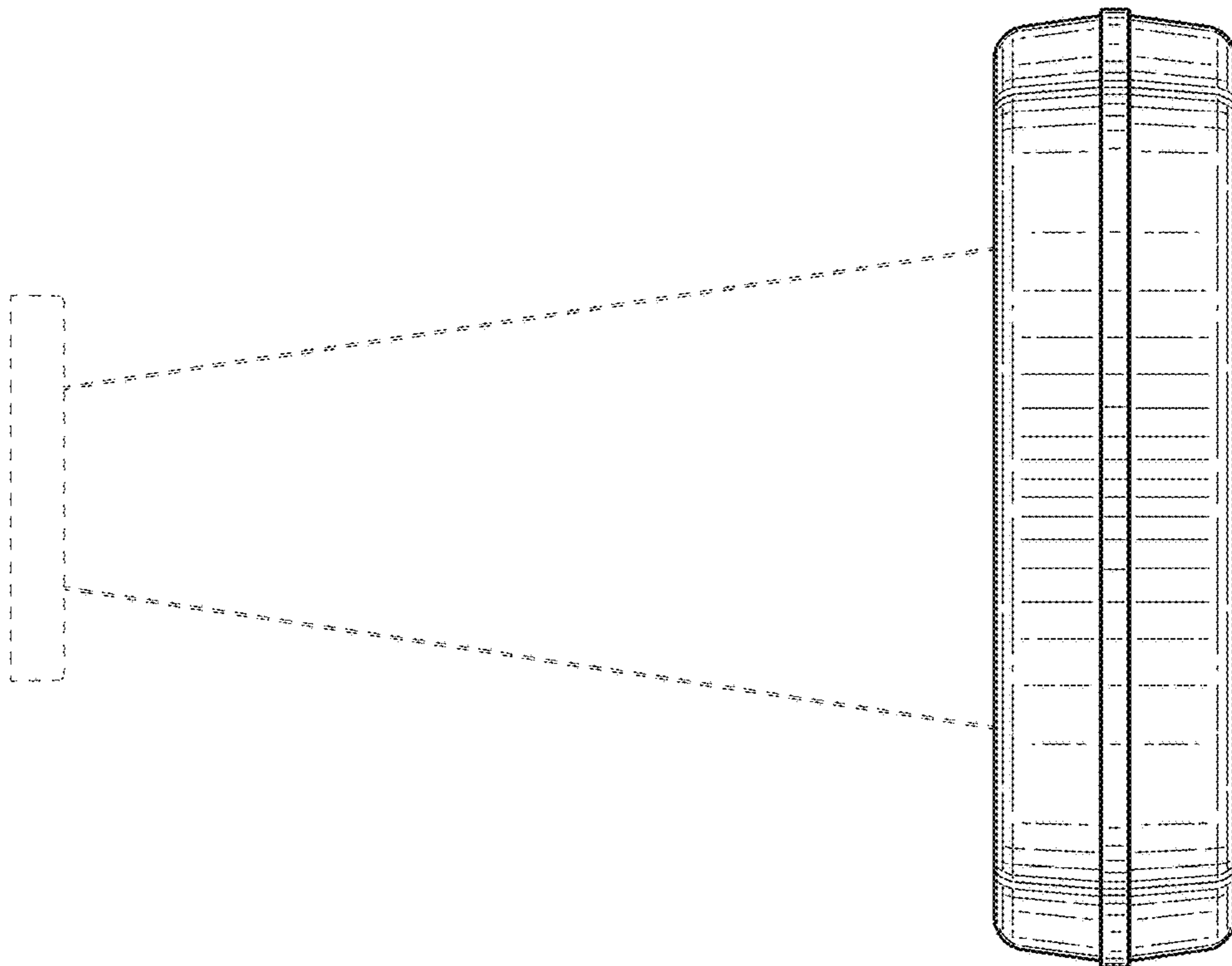


FIG. 11

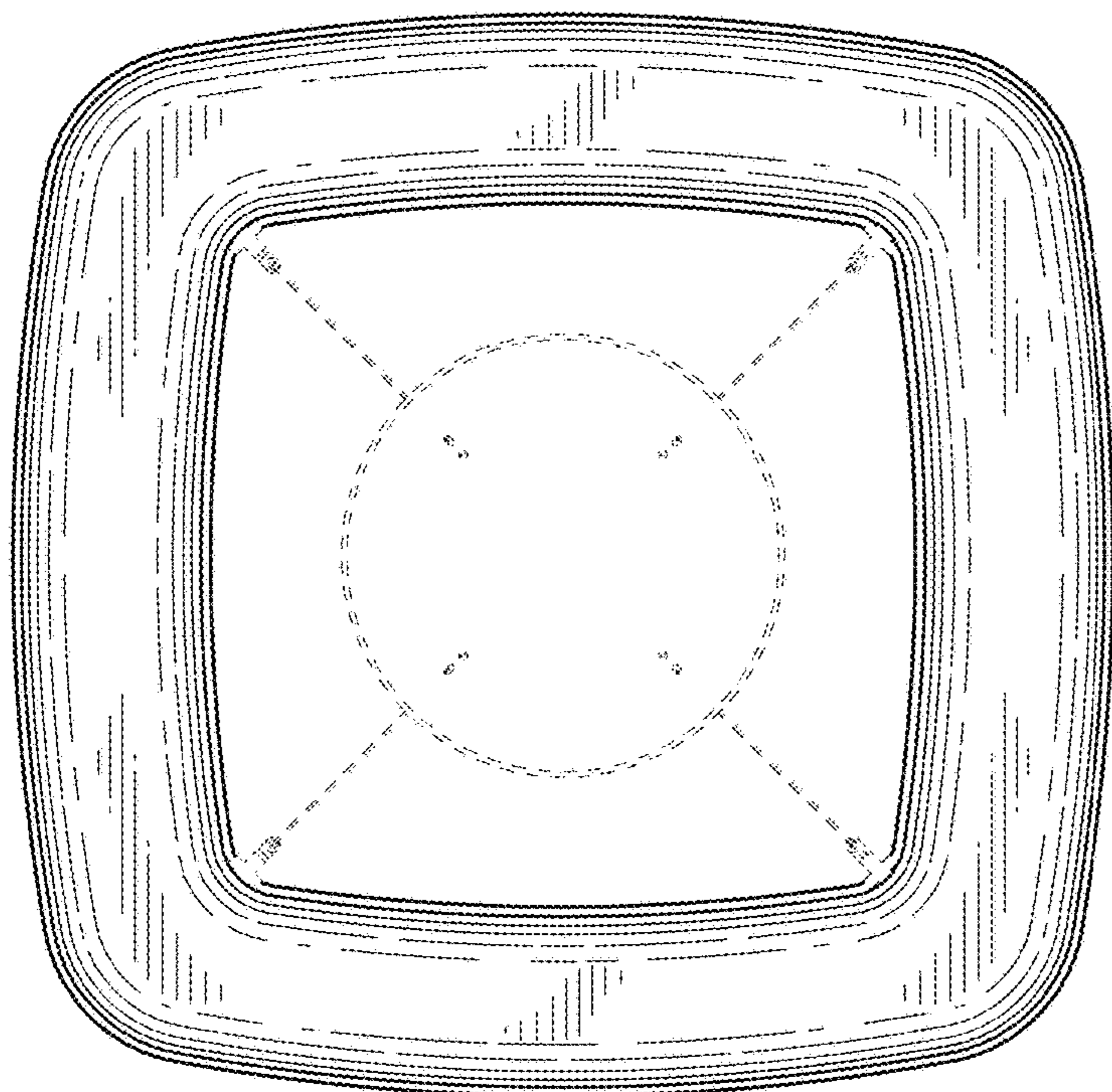


FIG. 13

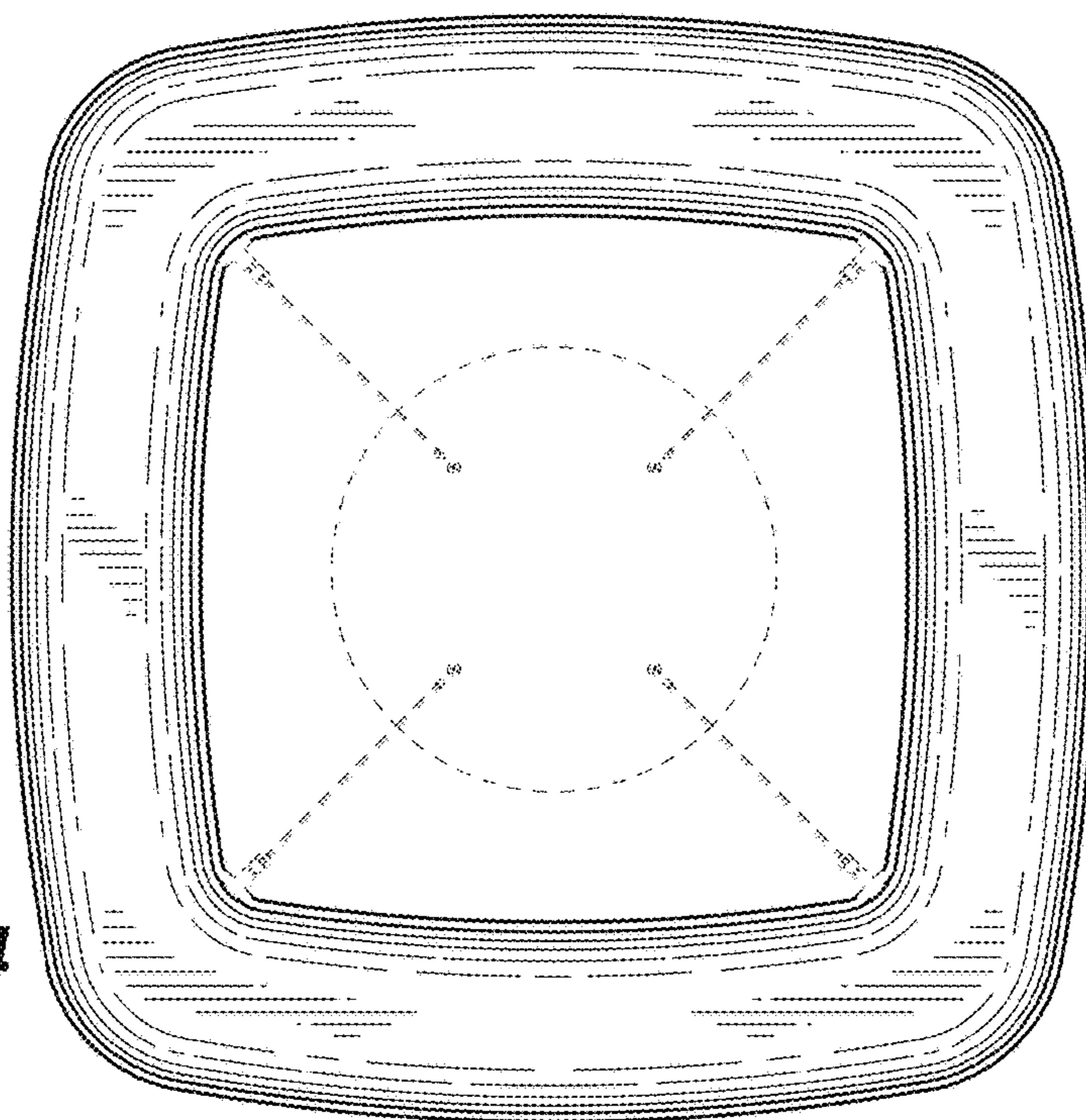


FIG. 14

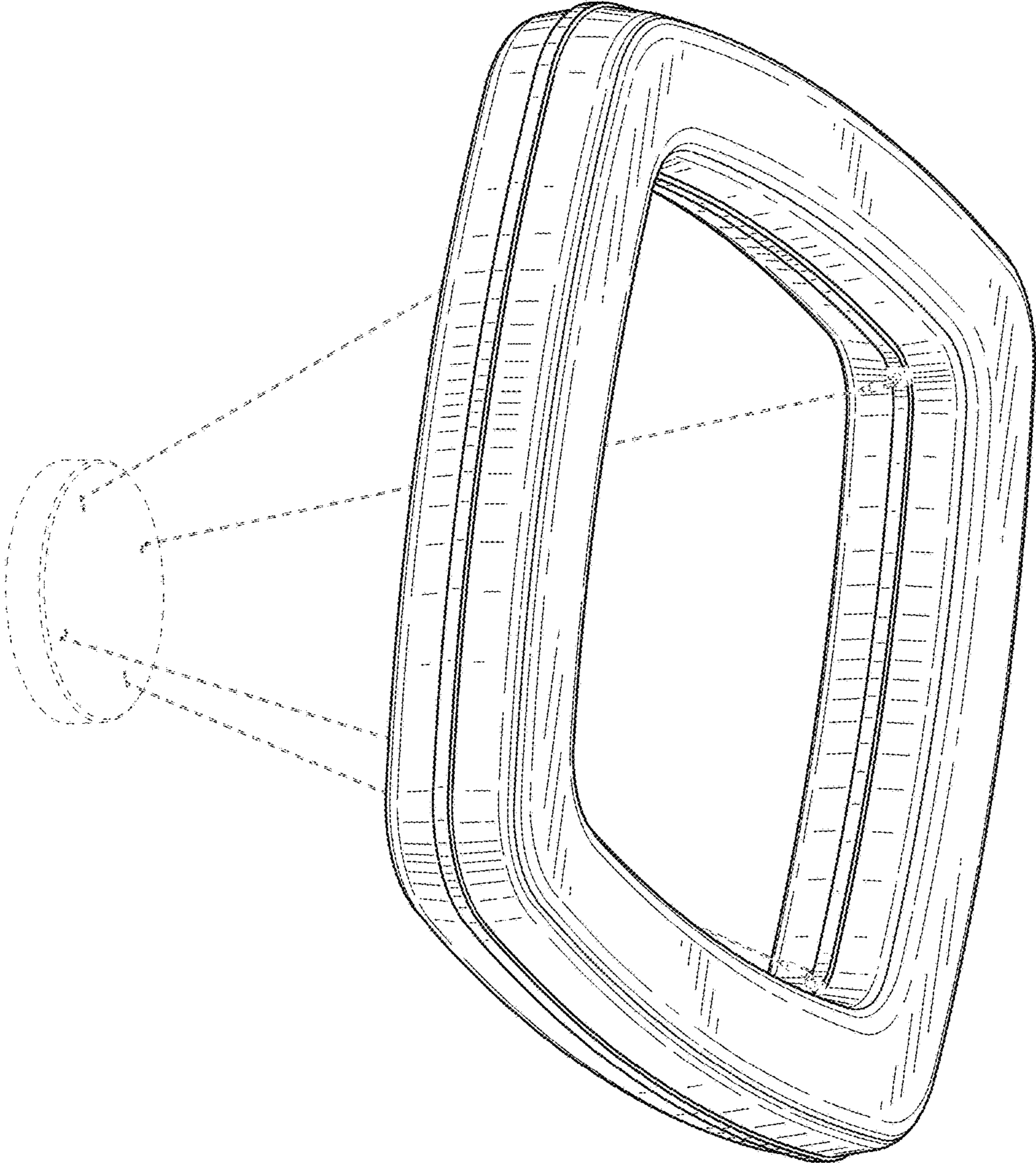


FIG. 15

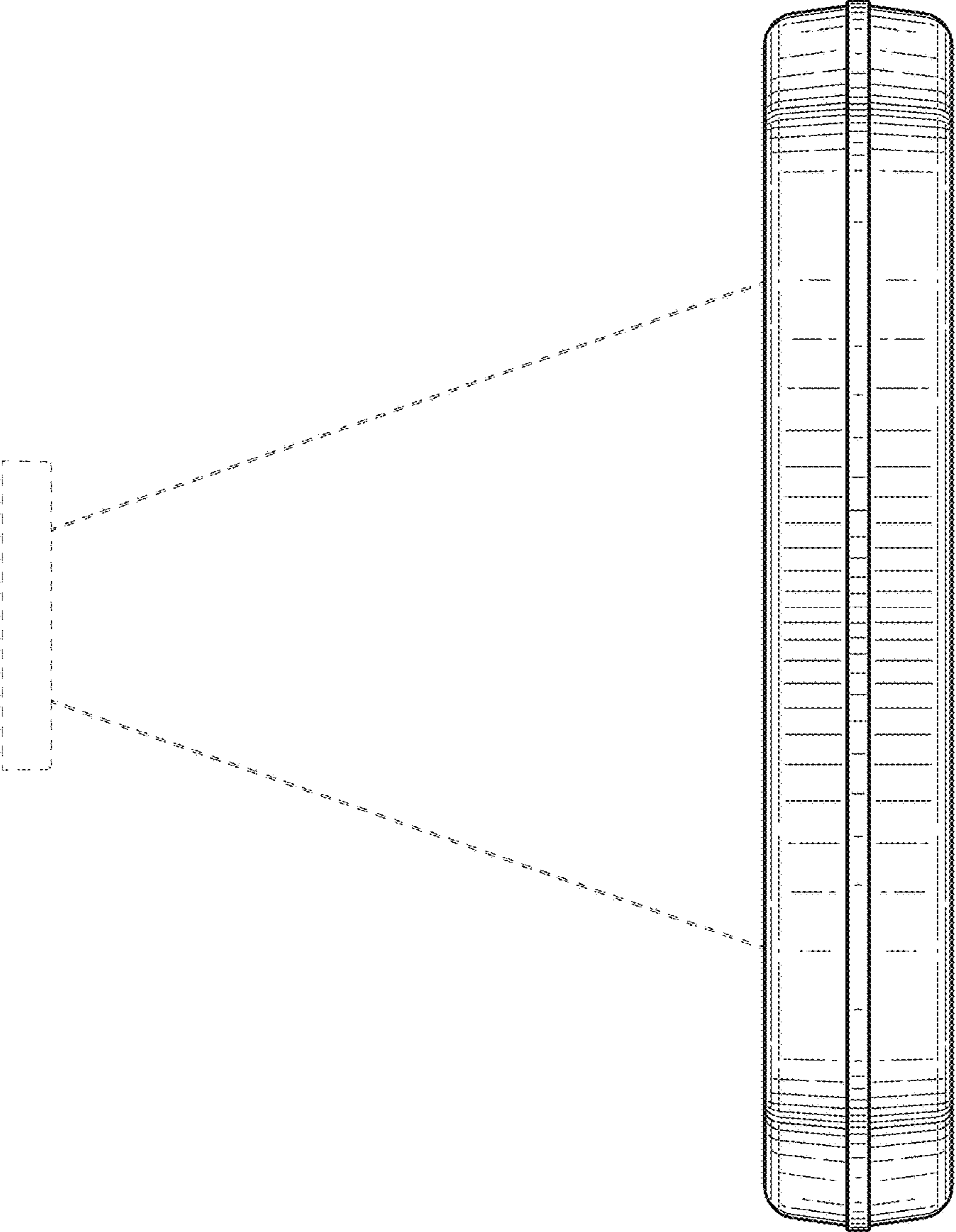


FIG. 16

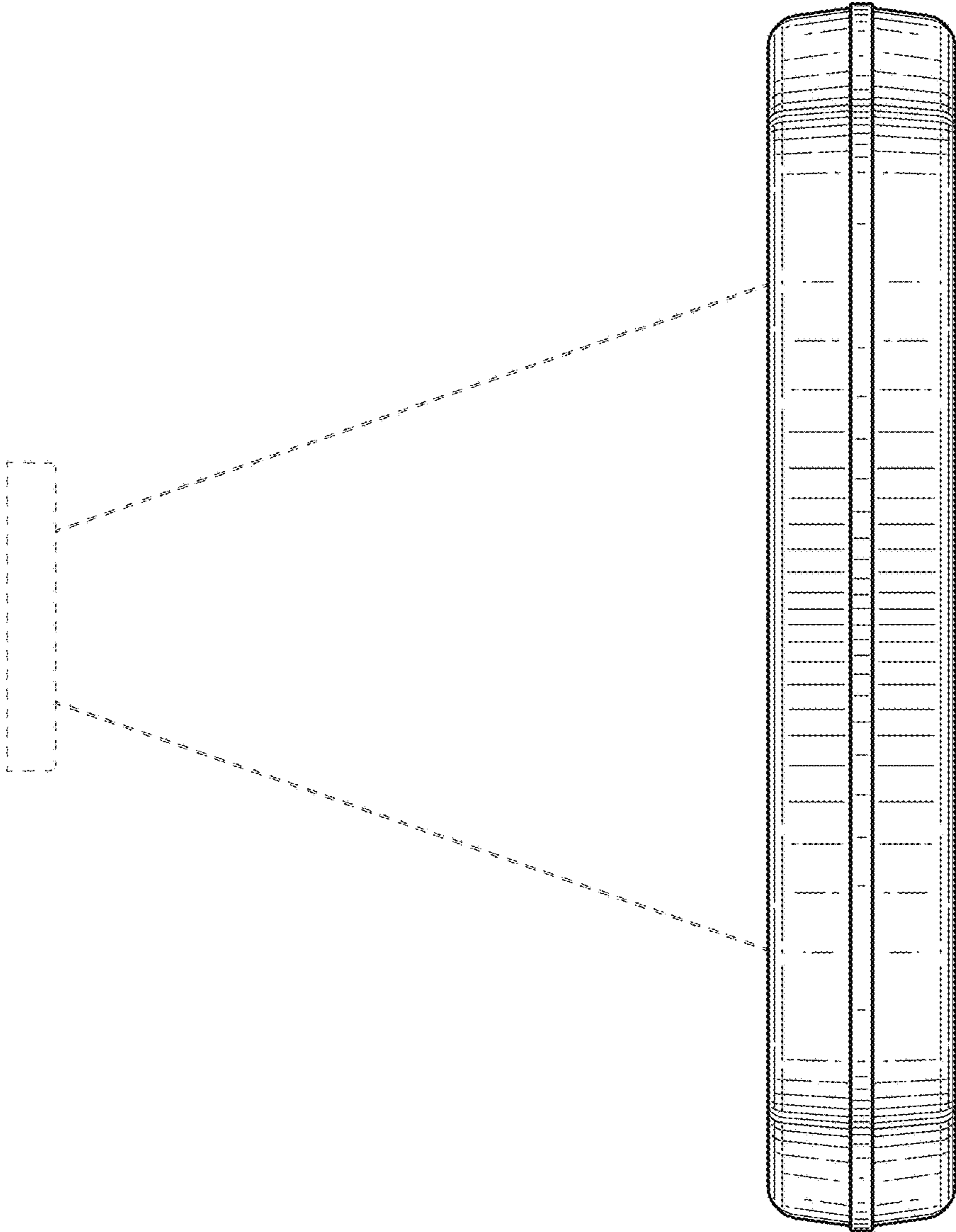


FIG. 17

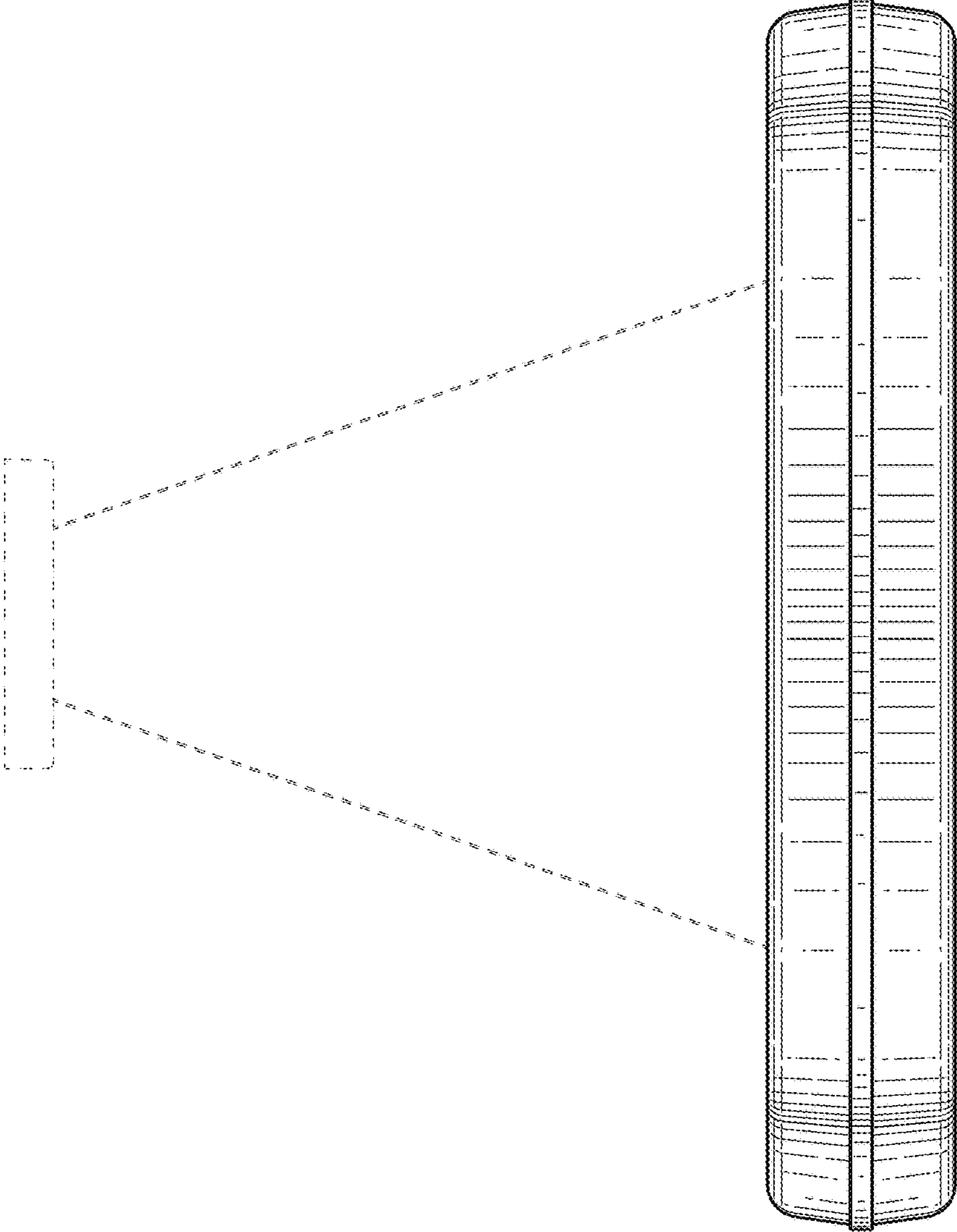


FIG. 18

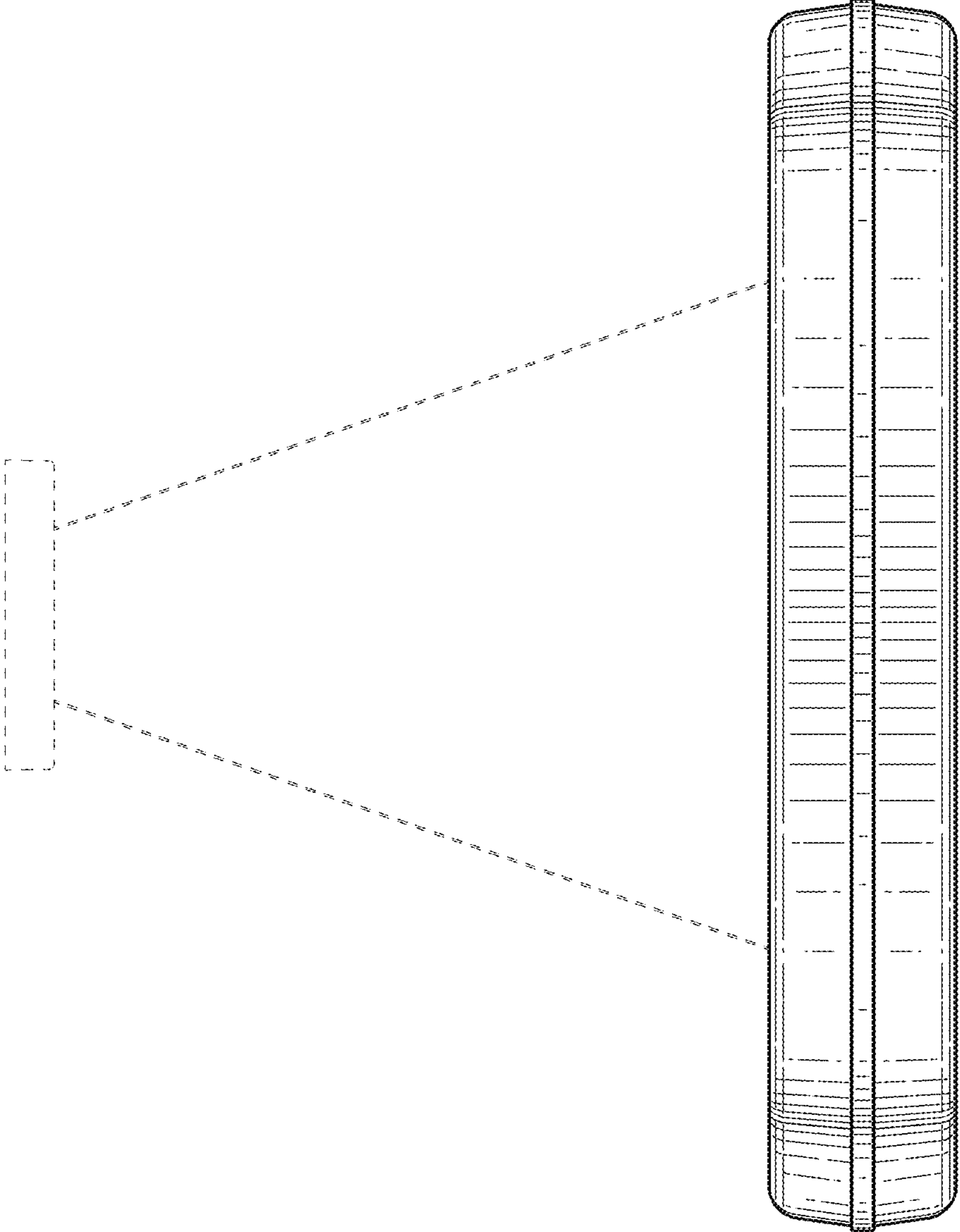


FIG. 19

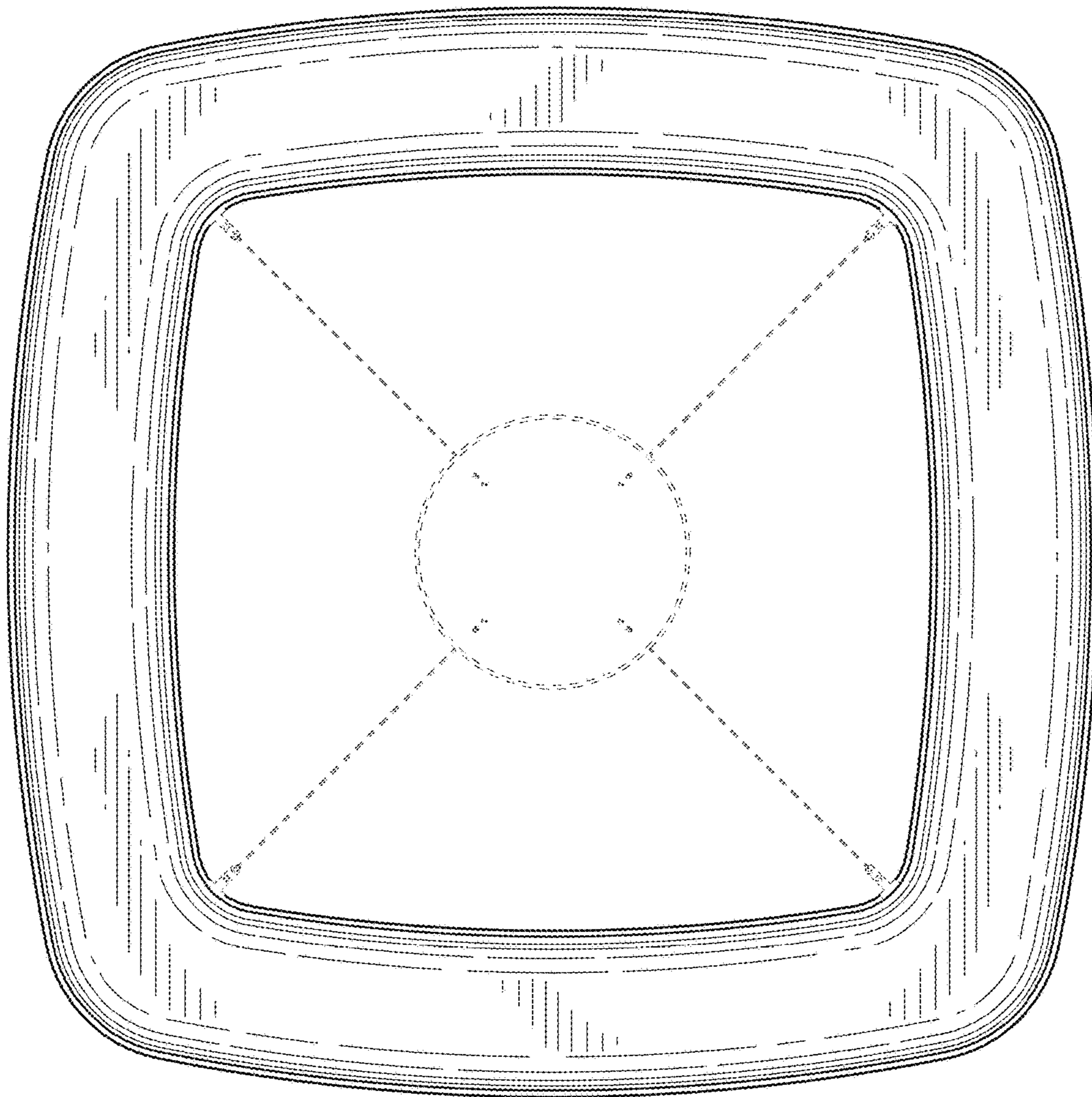


FIG. 20

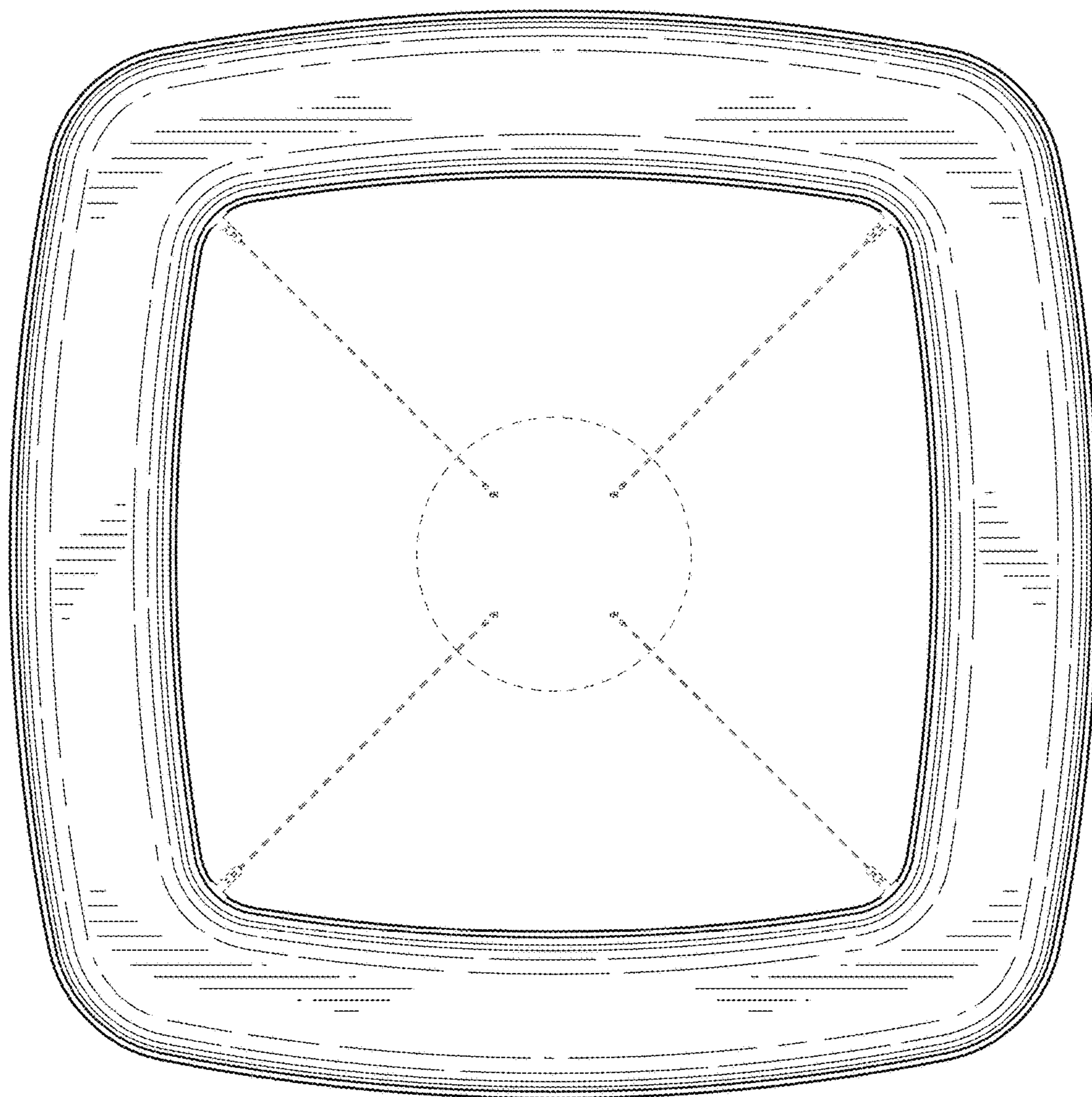


FIG. 21