



US00D783195S

(12) **United States Design Patent**  
**Gan**

(10) **Patent No.:** **US D783,195 S**

(45) **Date of Patent:** **\*\* Apr. 4, 2017**

(54) **CANOPY LIGHT**

(71) Applicant: **SNC OPTO Electronic Co., Ltd,**  
Guangdong (CN)

(72) Inventor: **Zhoucong Gan,** Guangdong (CN)

(\*\*) Term: **15 Years**

(21) Appl. No.: **29/559,746**

(22) Filed: **Mar. 31, 2016**

(30) **Foreign Application Priority Data**

Feb. 3, 2016 (CN) ..... 2016 3 0040046

(51) **LOC (10) Cl.** ..... **26-03**

(52) **U.S. Cl.**  
USPC ..... **D26/89**

(58) **Field of Classification Search**  
USPC .... D26/24, 63, 72, 80, 84, 88, 89, 118, 152  
CPC .... F21S 8/04; F21S 8/026; F21S 8/033; F21S  
8/036; F21S 8/03; F21S 8/043; F21S  
8/046; F21S 8/06; F21S 8/061; F21S  
8/063; F21S 8/068; F21S 13/02; F21V  
21/04; F21V 17/02; F21V 17/04; F21V  
17/164

See application file for complete search history.

(56) **References Cited**

**U.S. PATENT DOCUMENTS**

4,827,386 A \* 5/1989 Mackiewicz ..... F21S 8/04  
362/147  
D481,822 S \* 11/2003 Wang ..... D26/72  
D514,732 S \* 2/2006 Benensohn ..... D26/89

D533,956 S \* 12/2006 Vladika ..... D26/118  
D624,686 S \* 9/2010 Toney, Jr. .... D26/72  
D640,821 S \* 6/2011 Kocks ..... D26/89  
D684,718 S \* 6/2013 Ko ..... D26/72  
D734,880 S \* 7/2015 Yang ..... D26/2  
9,121,554 B2 \* 9/2015 Shimizu ..... F21K 9/50  
D742,055 S \* 10/2015 Marshal ..... D26/89  
D751,748 S \* 3/2016 Guercio ..... D26/89  
D759,286 S \* 6/2016 Chen ..... D26/89  
2011/0026249 A1 \* 2/2011 Wylde ..... F21S 8/086  
362/240  
2011/0110081 A1 \* 5/2011 Belknap ..... F21V 5/02  
362/235  
2014/0268830 A1 \* 9/2014 Boyer ..... F21V 21/14  
362/382

\* cited by examiner

*Primary Examiner* — Clare E Hefflin

(74) *Attorney, Agent, or Firm* — Prakash Nama; Global IP Services, PLLC

(57) **CLAIM**

The ornamental design for a canopy light, as shown.

**DESCRIPTION**

FIG. 1 is a front elevational view of a canopy light showing my new design;

FIG. 2 is a rear elevational view thereof;

FIG. 3 is a left side view thereof;

FIG. 4 is a right side view thereof;

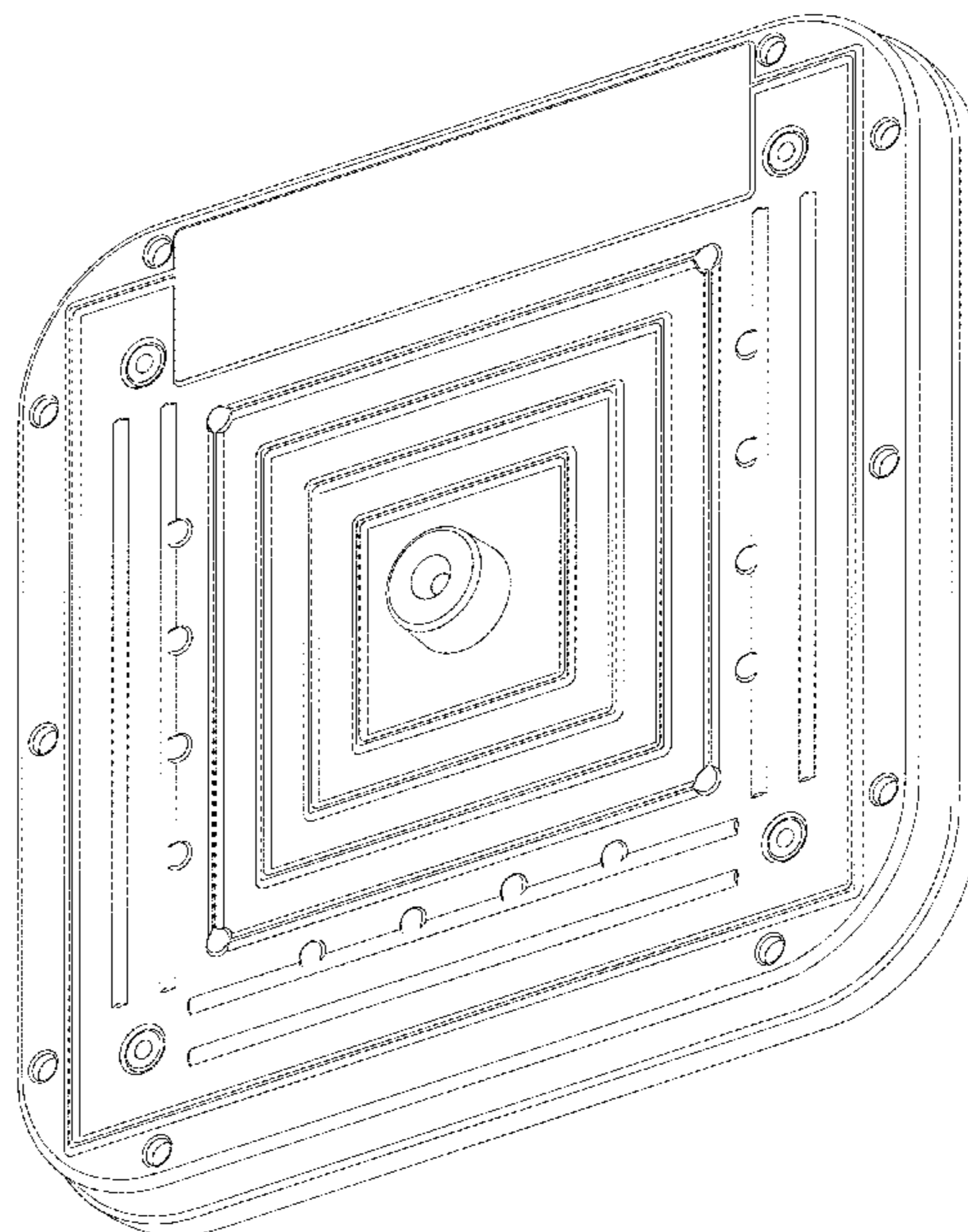
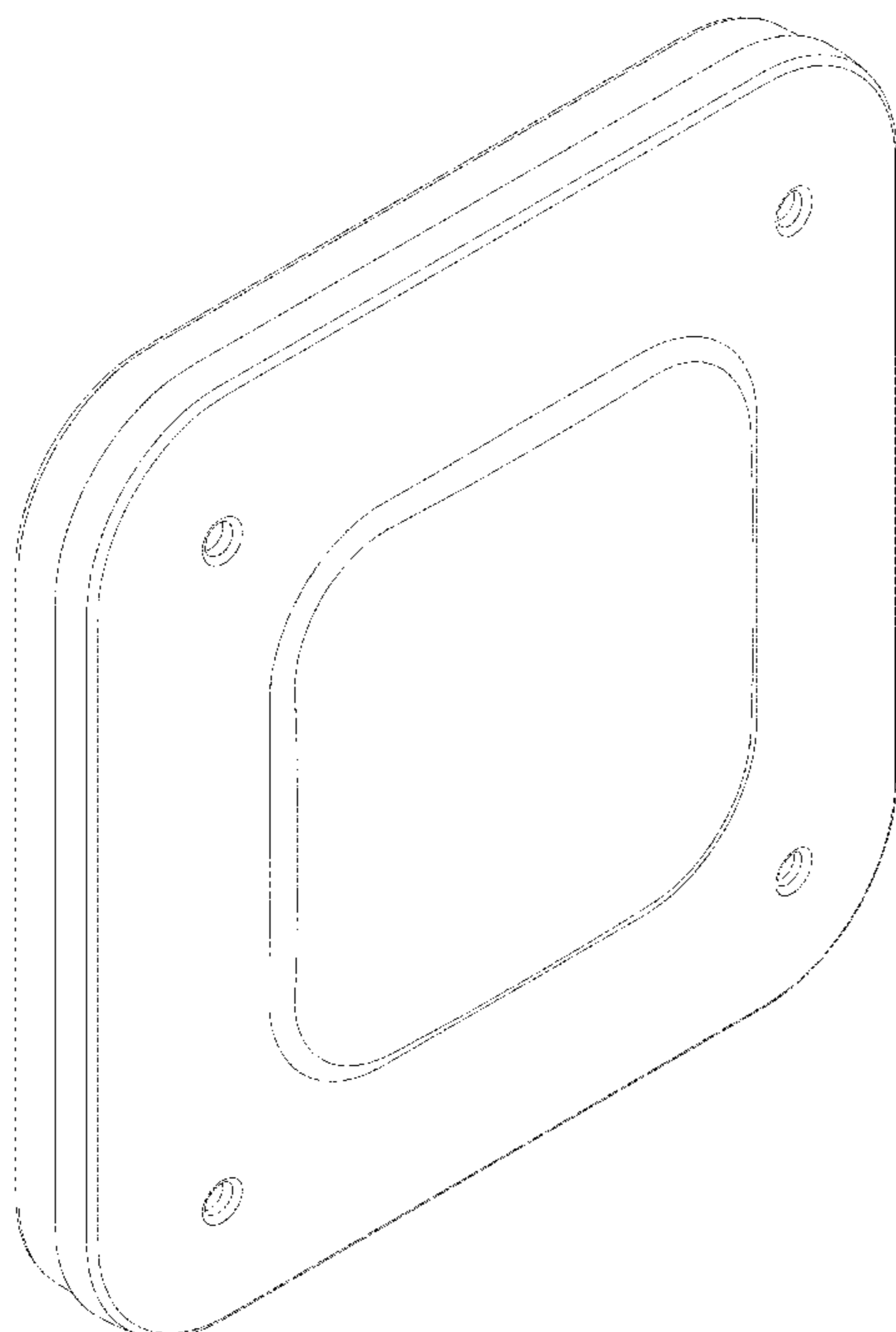
FIG. 5 is a top plan view thereof;

FIG. 6 is a bottom plan view thereof;

FIG. 7 is a first perspective view thereof; and,

FIG. 8 is a second perspective view thereof.

**1 Claim, 7 Drawing Sheets**



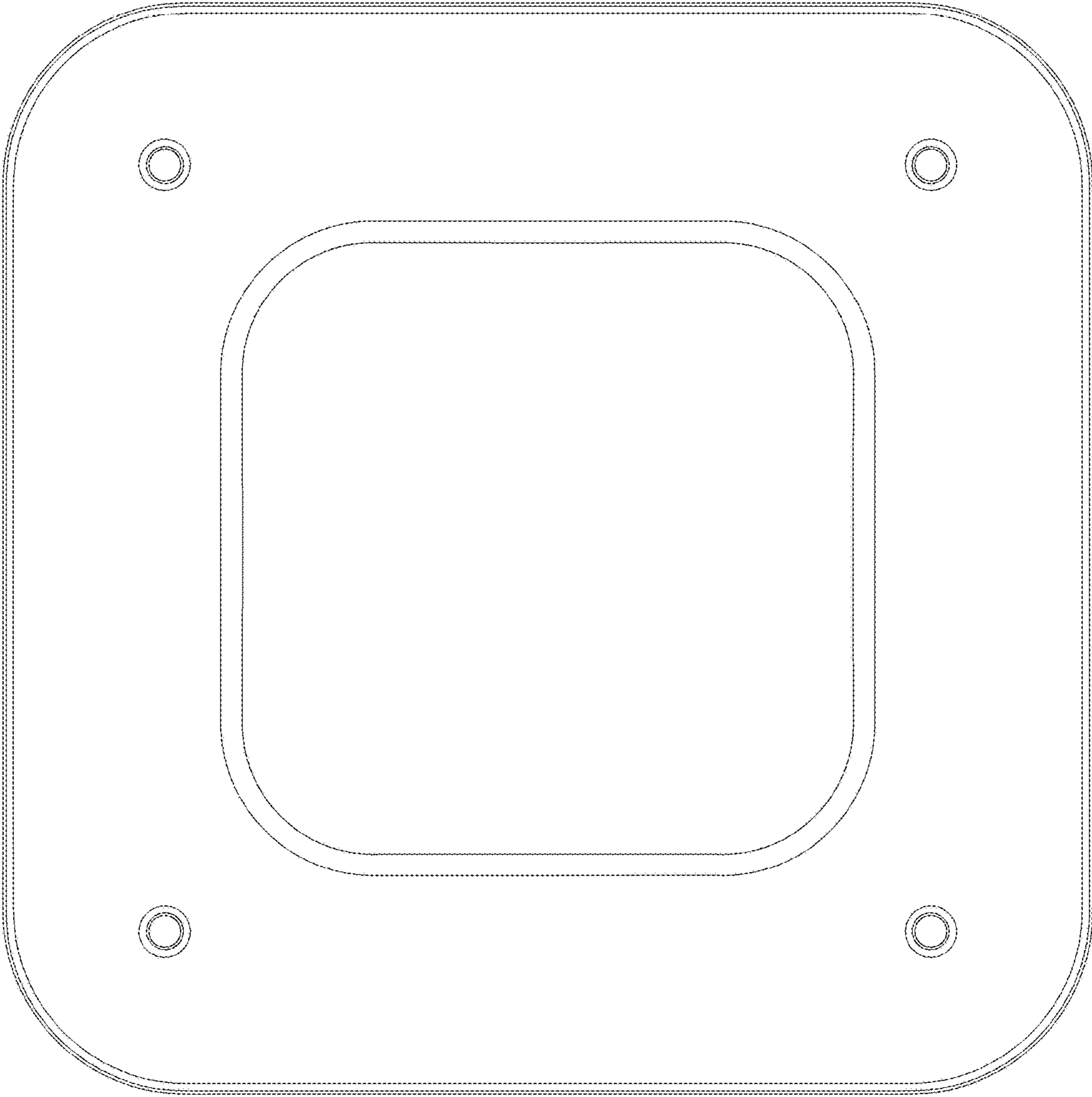


FIG. 1

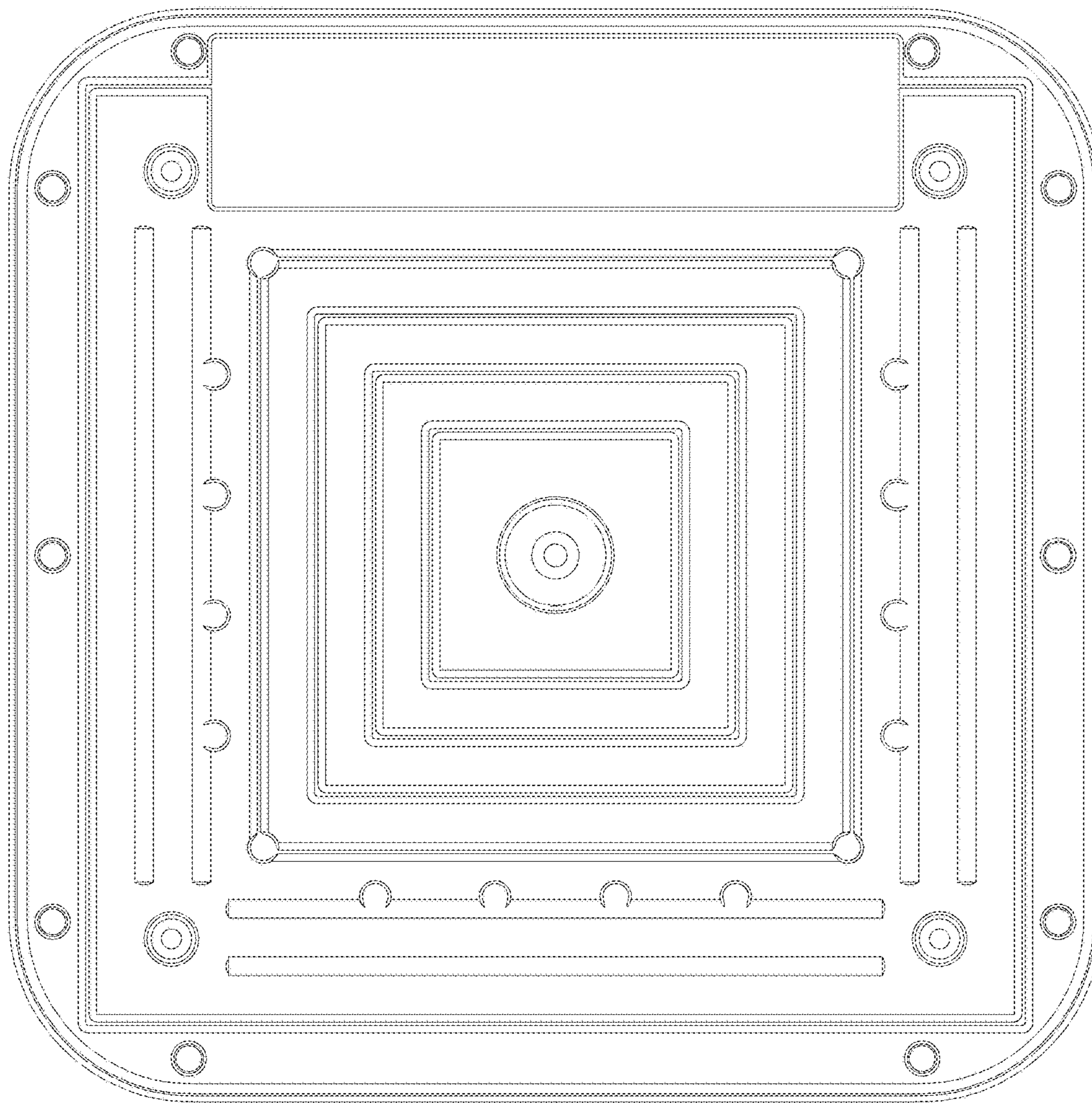


FIG. 2

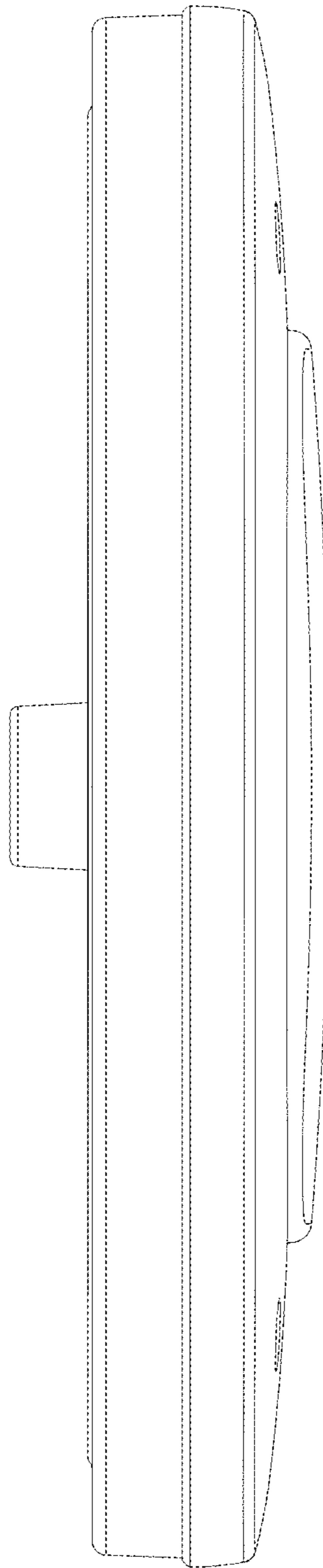


FIG. 3

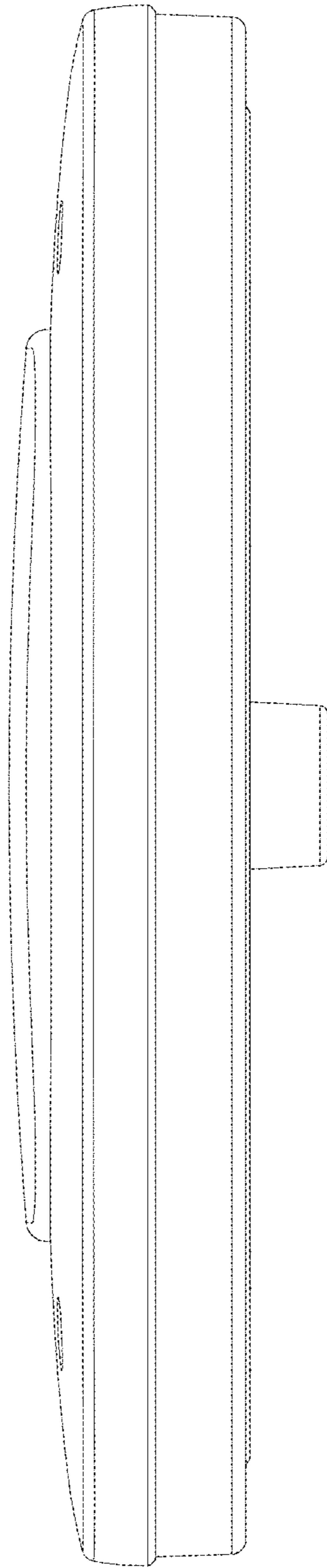


FIG. 4

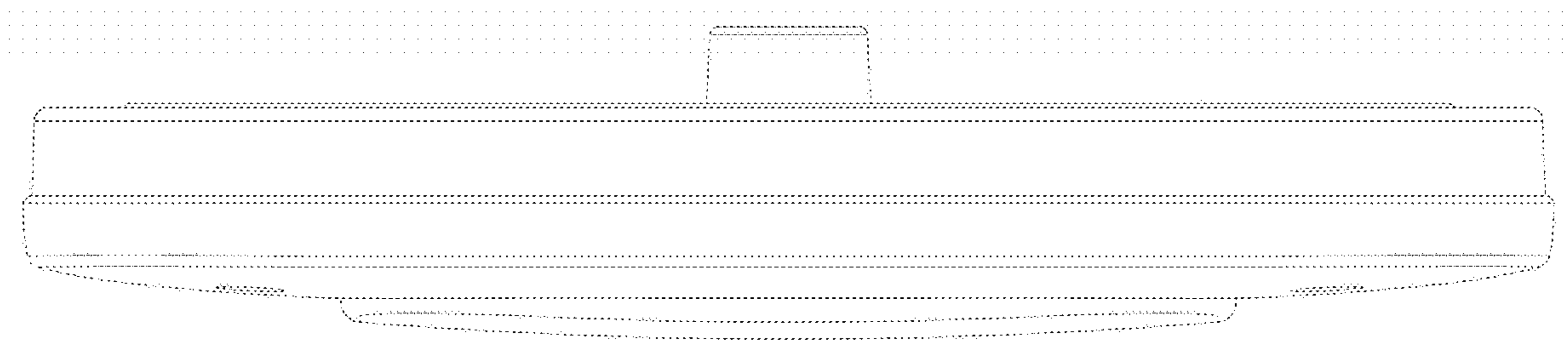


FIG. 5

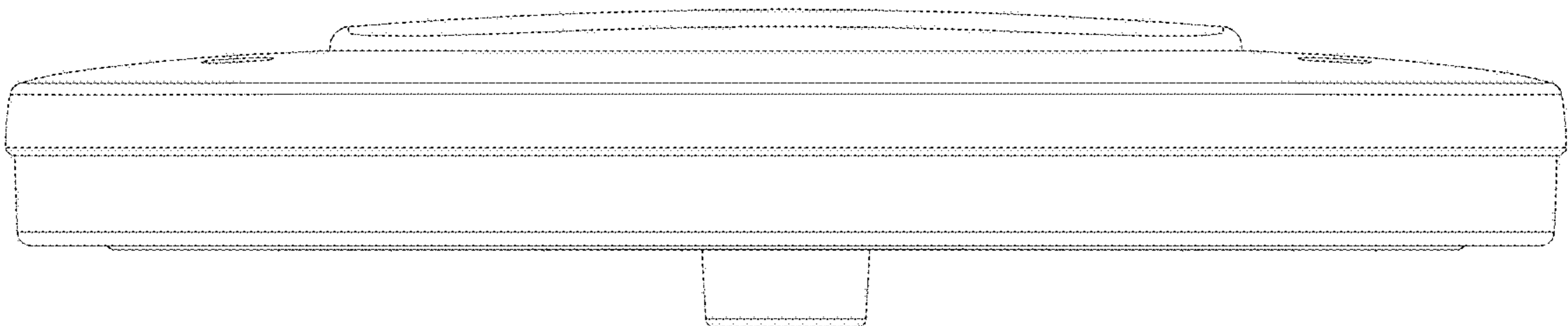


FIG. 6

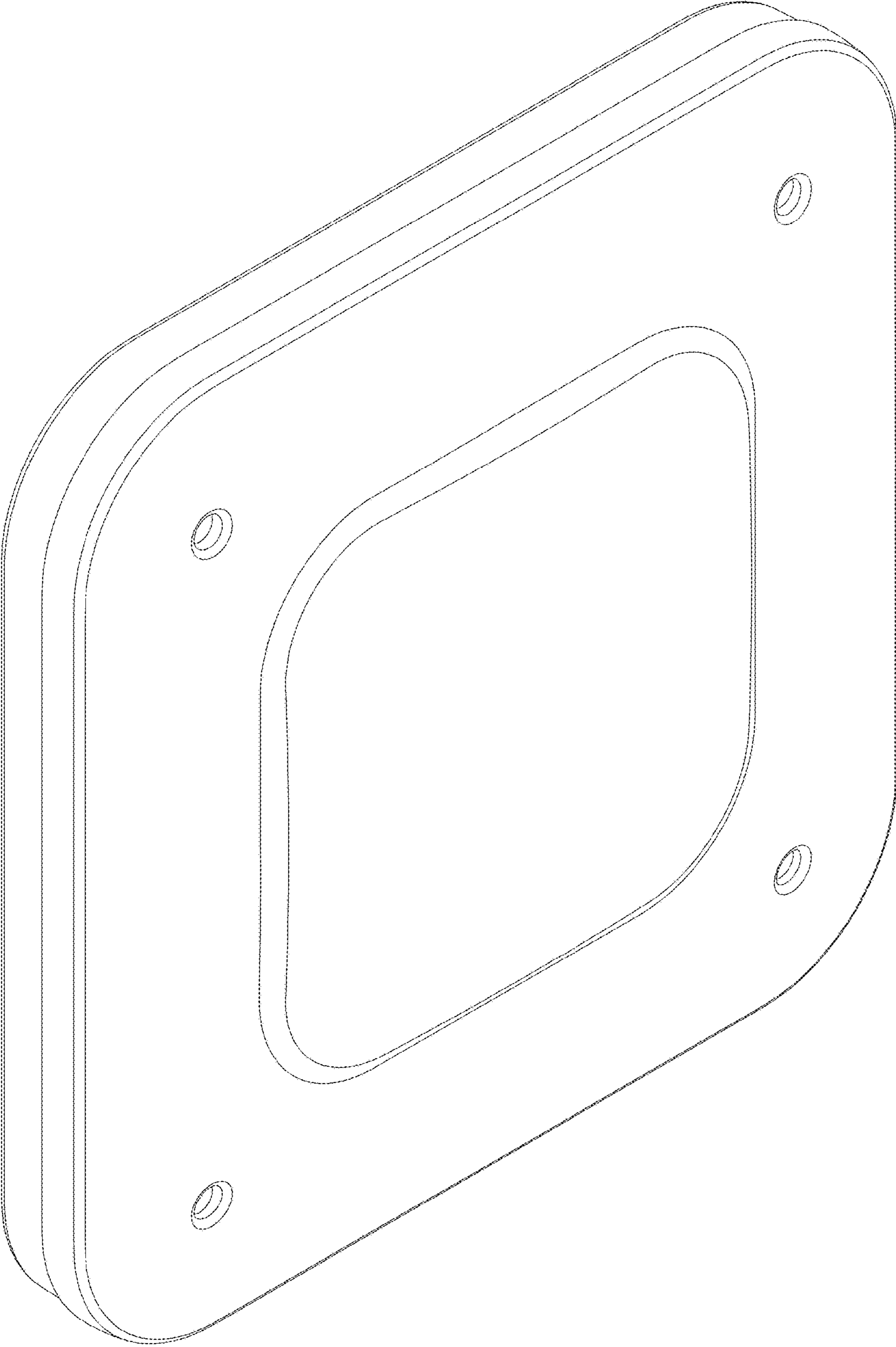


FIG. 7

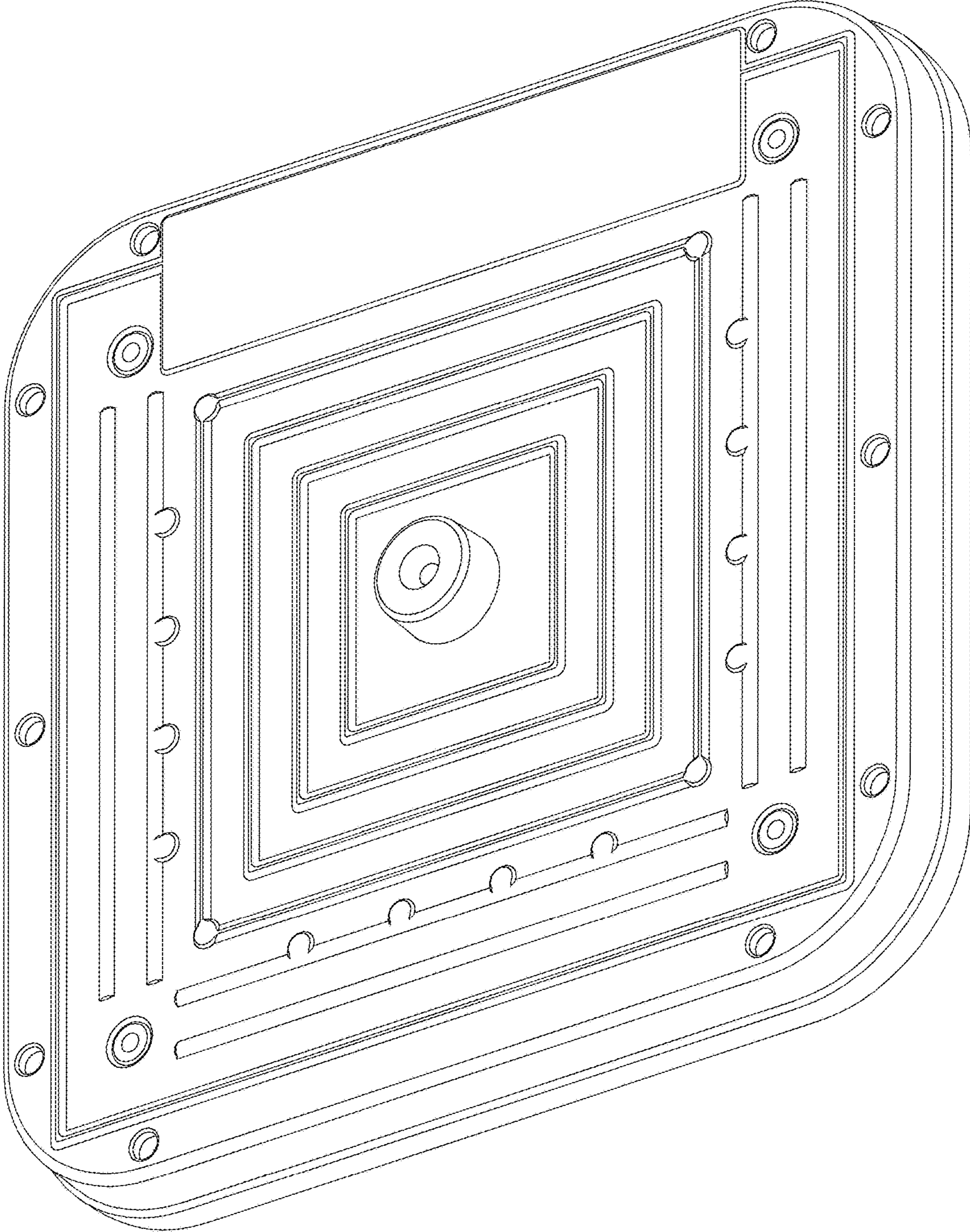


FIG. 8