



US00D783191S

(12) **United States Design Patent** (10) **Patent No.:** **US D783,191 S**  
**Riffner** (45) **Date of Patent:** **\*\* Apr. 4, 2017**

(54) **LED STERN LIGHT**

(71) Applicant: **Innovative Imports, Inc.**, San Dimas, CA (US)

(72) Inventor: **Robert Riffner**, Upland, CA (US)

(73) Assignee: **INNOVATIVE IMPORTS, INC.**

(\*\*) Term: **15 Years**

(21) Appl. No.: **29/557,446**

(22) Filed: **Mar. 9, 2016**

**Related U.S. Application Data**

(63) Continuation of application No. 14/881,408, filed on Oct. 13, 2015, now abandoned.

(51) **LOC (10) Cl.** ..... **26-03**

(52) **U.S. Cl.**  
USPC ..... **D26/28**

(58) **Field of Classification Search**  
USPC ..... D26/1, 24, 28, 104; D12/317  
CPC ... F21S 4/007; F21S 8/06; F21S 8/046; H05B 33/0857; H05K 1/189; H05K 2201/051; H05K 2201/10106; F21Y 2101/02; F21Y 2103/003; F21Y 2111/001; F21Y 2111/005; F21Y 2103/00; F21V 31/00; F21V 15/015; F21V 31/005; B63B 45/04; F21K 9/30; F21L 4/00; F21L 4/08

See application file for complete search history.

(56) **References Cited**

**U.S. PATENT DOCUMENTS**

D280,025	S	*	8/1985	Waters	.....	D26/24
5,339,225	A	*	8/1994	Wiggerman	.....	B63B 45/04 362/235
6,174,078	B1	*	1/2001	Ohm	.....	B63B 45/04 114/343
D626,280	S	*	10/2010	Feigenbaum	.....	D26/104
D665,113	S	*	8/2012	Perkins	.....	D26/28
D695,924	S	*	12/2013	Macura	.....	D26/24
D765,279	S	*	8/2016	Hill	.....	D26/28

\* cited by examiner

*Primary Examiner* — Brian N Vinson

(74) *Attorney, Agent, or Firm* — Ahmadshahi & Associates

(57) **CLAIM**

The ornamental design for an LED stern light, as shown and described.

**DESCRIPTION**

FIG. 1 is a perspective view of an LED stern light according to the present invention.

FIG. 2 is a front view thereof;

FIG. 3 is a top view thereof;

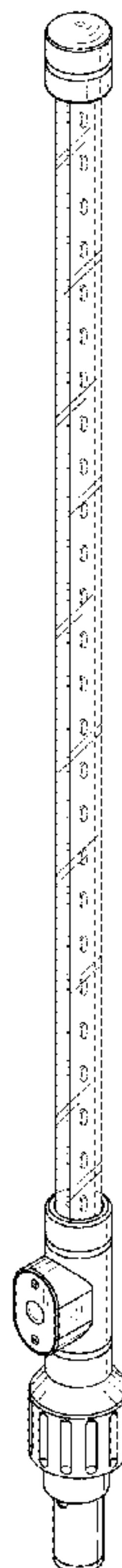
FIG. 4 is a bottom view thereof;

FIG. 5 is a first side view thereof;

FIG. 6 is a second side view thereof; and,

FIG. 7 is a rear view thereof.

**1 Claim, 3 Drawing Sheets**



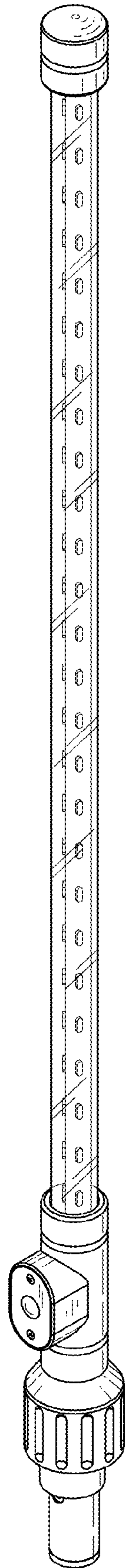


FIG. 1

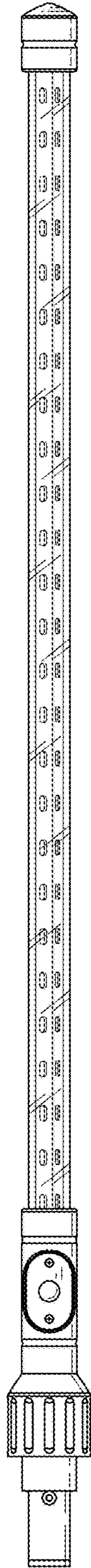


FIG. 2

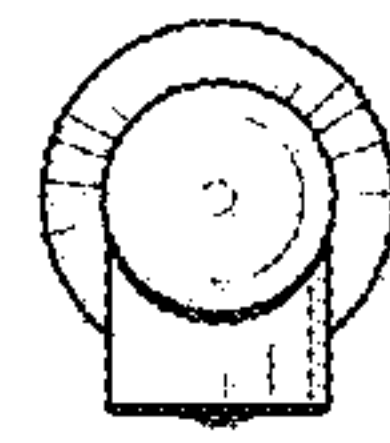


FIG. 3

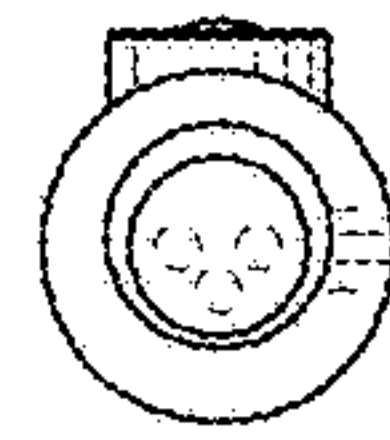


FIG. 4

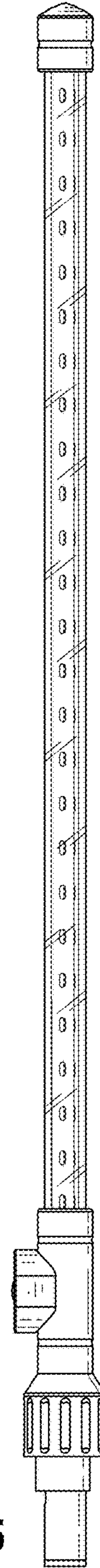


FIG. 5

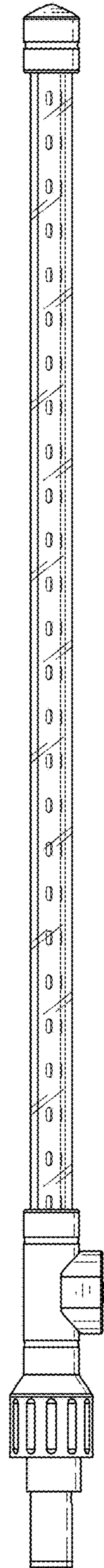


FIG. 6

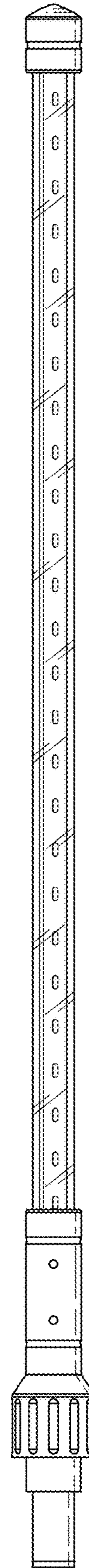


FIG. 7