



US00D783185S

(12) **United States Design Patent** (10) **Patent No.:** **US D783,185 S**
Bruns et al. (45) **Date of Patent:** **** Apr. 4, 2017**

(54) **SIDING**

(71) Applicant: **Boral IP Holdings (Australia) PTY Limited**, North Sydney (AU)

(72) Inventors: **Kenneth Bruns**, Charlotte, NC (US);
Russell Hill, San Antonio, TX (US);
Brian Below, Atlanta, GA (US)

(73) Assignee: **Boral IP Holdings (Australia) PTY Limited**, North Sydney (AU)

(**) Term: **15 Years**

(21) Appl. No.: **29/562,704**

(22) Filed: **Apr. 28, 2016**

(51) **LOC (10) Cl.** **25-01**

(52) **U.S. Cl.**
USPC **D25/138**

(58) **Field of Classification Search**
USPC D25/113, 118, 119, 120, 136, 138, 139,
D25/140, 157-162; 52/98, 99, 311.2,
(Continued)

(56) **References Cited**

U.S. PATENT DOCUMENTS

148,016 A * 2/1874 Winans E04F 15/04
52/539
525,442 A * 9/1894 Burrows E04F 13/0864
52/539

(Continued)

OTHER PUBLICATIONS

California Redwood Association, Redwood Lumber Patterns No. 17, available at <http://www.redwoodinspection.com/pdf/Patterns17.pdf> (accessed Jul. 1, 2014).

(Continued)

Primary Examiner — Susan Bennett Hattan
Assistant Examiner — Leanne Was-Englehart
(74) *Attorney, Agent, or Firm* — Meunier Carlin & Curfman LLC

(57) **CLAIM**

The ornamental design for a siding, as shown and described.

DESCRIPTION

FIG. 1 is a rear perspective view of a siding showing our new design.

FIG. 2 is a rear view thereof.

FIG. 3 is a front view thereof.

FIG. 4 is a right-side view thereof. The left-side view thereof is a mirror image of the right-side view.

FIG. 5 is a bottom view thereof.

FIG. 6 is a top view thereof.

FIG. 7 is a rear perspective view of a portion thereof, in the context of an adjacent portion of siding.

FIG. 8 is a rear view of a portion thereof, in the context of an adjacent portion of siding.

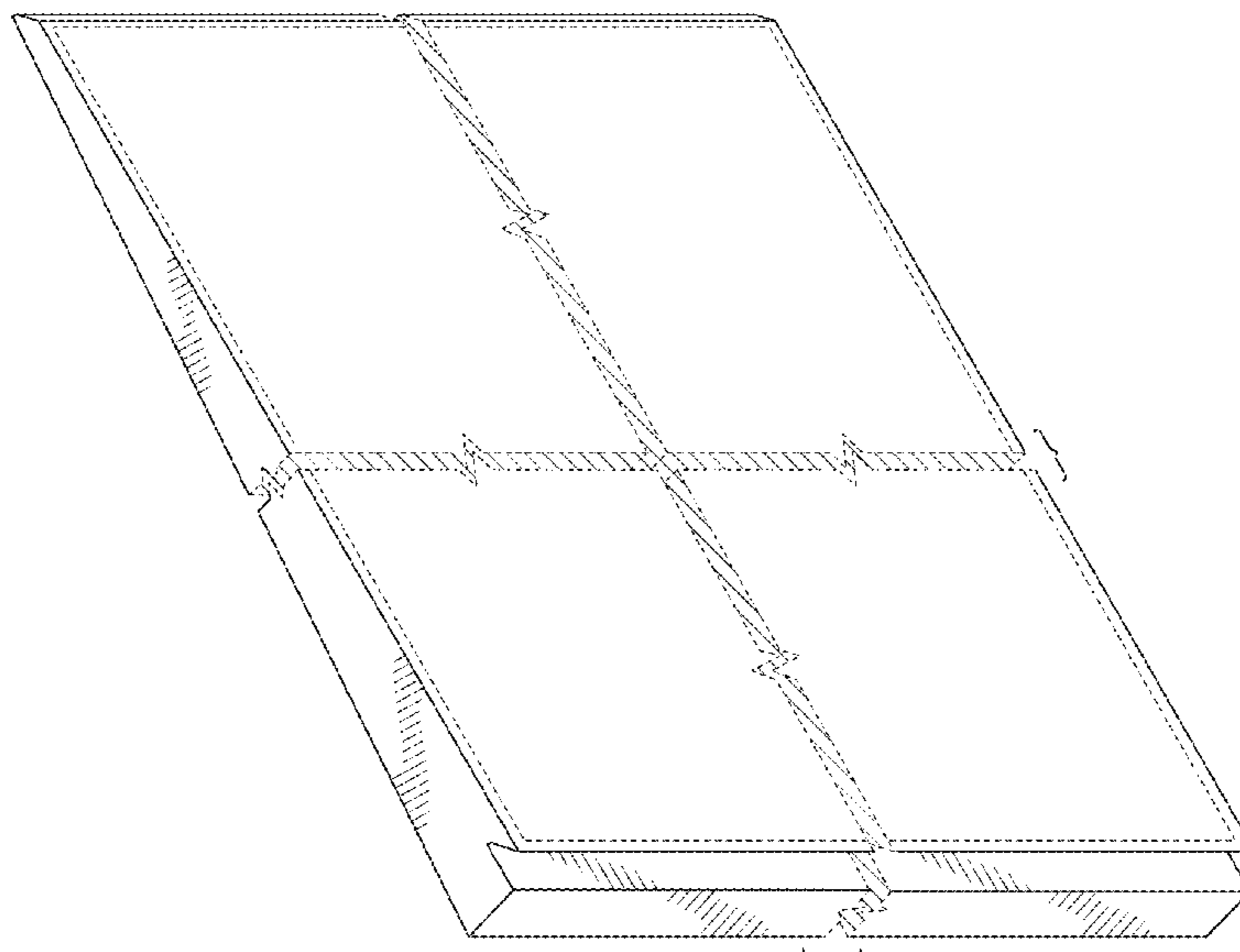
FIG. 9 is a front view of a portion thereof, in the context of an adjacent portion of siding; and,

FIG. 10 is a right-side view of a portion thereof, in the context of an adjacent portion of siding. The left-side view of a portion thereof, in the context of an adjacent siding, is a mirror image of the right-side view of a portion thereof.

The broken away symbols traversing, both vertically and horizontally, through the siding, indicate that any portion of the article beyond what is shown forms no part of the claimed design.

The broken lines illustrate portions of the front and back surfaces which form no part of the claimed design.

1 Claim, 9 Drawing Sheets



(58) **Field of Classification Search**
 USPC 52/394, 506.01, 518, 519, 523, 536, 539,
 52/540, 574
 CPC . E04F 13/076; E04F 13/0801; E04F 13/0864;
 E04F 13/16; E04F 13/142
 See application file for complete search history.

(56) **References Cited**

U.S. PATENT DOCUMENTS

2,797,450 A 7/1957 Ropella
 2,902,853 A 9/1959 Loftstrom
 4,065,899 A 1/1978 Kirkhuff
 4,148,166 A * 4/1979 Toone E04B 2/44
 52/270
 4,183,454 A 1/1980 Snell
 4,825,618 A * 5/1989 Blevins E04F 13/142
 52/535
 D392,055 S * 3/1998 Pelosi D25/136
 D410,868 S 6/1999 Hall
 6,467,229 B2 10/2002 Azar
 6,546,691 B2 4/2003 Leopolder
 D483,882 S 12/2003 Glatz
 D514,236 S 1/2006 Glatz
 D526,248 S 8/2006 Stidham et al.
 D528,671 S 9/2006 Grafenauer
 D553,760 S 10/2007 Schrader
 D561,916 S 2/2008 Visintin
 D562,466 S 2/2008 Visintin
 D562,467 S 2/2008 Coulson
 D578,669 S 10/2008 Kaump
 D600,359 S * 9/2009 King D25/113
 D603,066 S 10/2009 Warren et al.
 7,713,615 B2 * 5/2010 Black B28B 1/002
 428/113
 D629,125 S 12/2010 Johnston
 7,892,617 B2 2/2011 Bathelier et al.
 D634,026 S 3/2011 Baccarini
 D661,818 S 6/2012 Hamblin
 D666,326 S 8/2012 Sims
 D670,009 S 10/2012 Buoni
 8,291,669 B2 * 10/2012 Karau E04C 1/395
 52/569
 8,397,459 B2 * 3/2013 Gately E04F 13/0864
 52/409
 8,409,380 B2 * 4/2013 Black B28B 1/002
 156/350
 8,453,411 B2 6/2013 Braun et al.
 D686,757 S 7/2013 Johnston
 8,484,931 B2 * 7/2013 Gleeson E04F 13/0864
 52/489.1
 D694,434 S 11/2013 Valentine
 D701,620 S 3/2014 Valentine
 8,695,303 B2 * 4/2014 Swanson E04D 3/24
 52/478

D713,975 S * 9/2014 Crosby D25/113
 D720,865 S 1/2015 Gori et al.
 D720,867 S 1/2015 Agyin
 D721,189 S 1/2015 Gori et al.
 D729,949 S 5/2015 Hartman et al.
 D733,928 S 7/2015 Smith et al.
 D736,452 S 8/2015 Huang et al.
 9,140,018 B2 * 9/2015 Southwell E04F 13/0817
 D742,552 S 11/2015 Swanson
 D755,407 S * 5/2016 Hill D25/118
 D755,408 S * 5/2016 Hill D25/118
 D755,411 S 5/2016 Hill et al.
 D755,989 S * 5/2016 Hill D25/118
 D755,990 S * 5/2016 Hill D25/118
 D755,991 S * 5/2016 Hill D25/118
 D755,992 S * 5/2016 Hill D25/118
 D755,993 S * 5/2016 Hill D25/118
 D757,960 S * 5/2016 Hill D25/118
 D761,970 S * 7/2016 Redwine D25/119
 2003/0046891 A1 * 3/2003 Colada B28B 1/002
 52/518
 2013/0160387 A1 6/2013 DiLonardo et al.
 2013/0199121 A1 8/2013 Grau

OTHER PUBLICATIONS

Selflok Millwood Smooth, available at <http://www.weathertex.com.au/products/weatherboards/selflok/selflok-millwood-smooth/> (accessed Jul. 1, 2014).
 Selflok Millwood Ruff Sawn, available at <http://www.weathertex.com.au/products/weatherboards/selflok/selflok-millwood-ruff-sawn/> (accessed Jul. 1, 2014).
 Selflok Old Colonial Smooth, available at <http://www.weathertex.com.au/products/weatherboards/selflok/selflok-old-colonial-smooth/> (accessed Jul. 1, 2014).
 Selflok Texwood Smooth, available at <http://www.weathertex.com.au/products/weatherboards/selflok/selflok-texwood-smooth/> (accessed Jul. 1, 2014).
 Selflok Ecogroove 150 Smooth available at <http://www.weathertex.com.au/products/weatherboards/selflok/selflok-ecogroove-150-smooth/> (accessed Jul. 1, 2014).
 Selflok Ecogroove 150 Woodman available at <http://www.weathertex.com.au/products/weatherboards/selflok/selflok-ecogroove-150-woodsman/> (accessed Jul. 1, 2014).
 Selflok Ecogroove 300 Smooth available at <http://www.weathertex.com.au/products/weatherboards/selflok/selflok-ecogroove-300-smooth/> (accessed Jul. 1, 2014).
 Selflok Ecogroove 300 Woodman available at <http://www.weathertex.com.au/products/weatherboards/selflok/selflok-ecogroove-300-woodsman/> (accessed Jul. 1, 2014).
 Copending Design U.S. Appl. No. 29/529,646, filed Jun. 9, 2015, and its prosecution history.

* cited by examiner

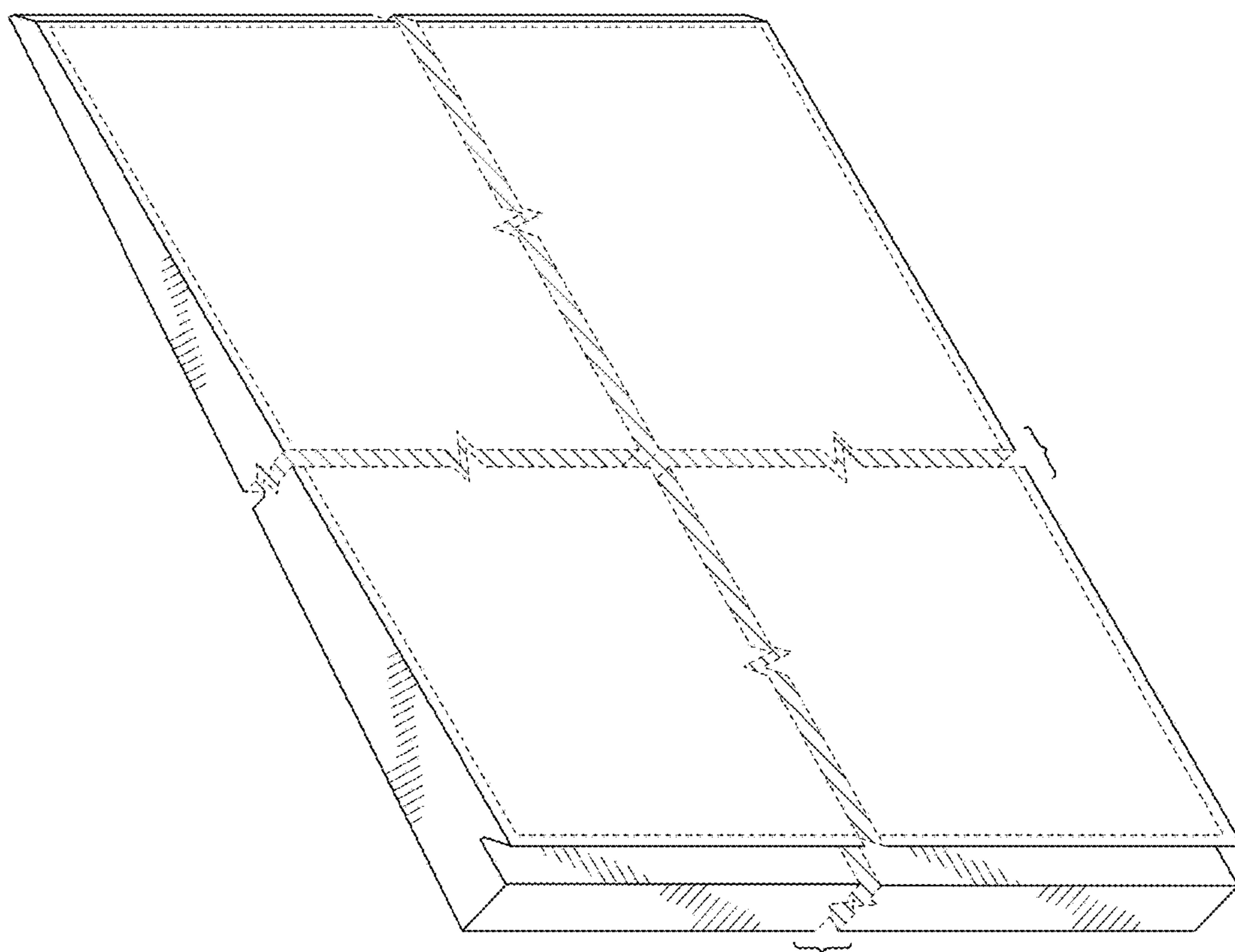


FIG. 1

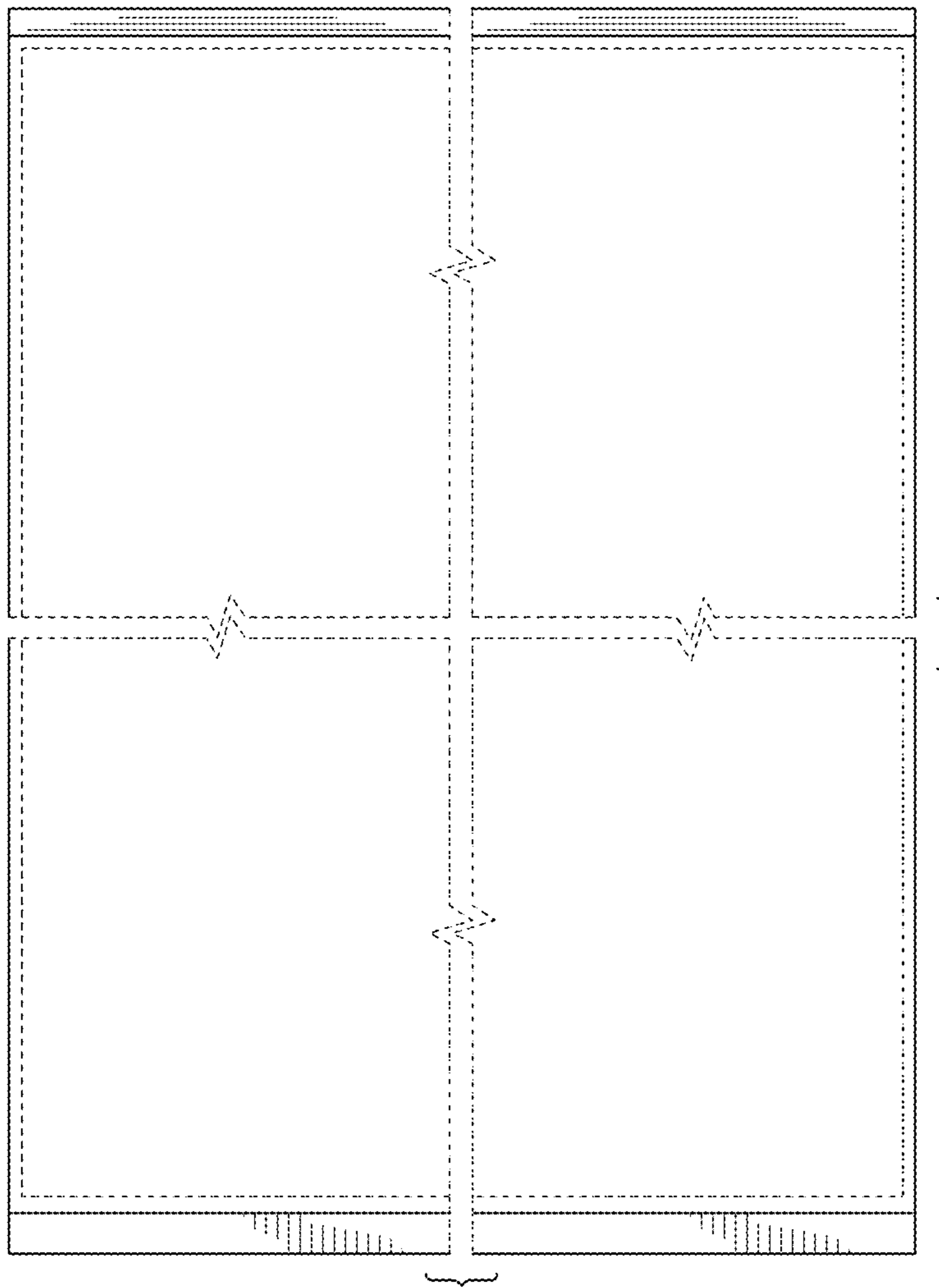


FIG. 2

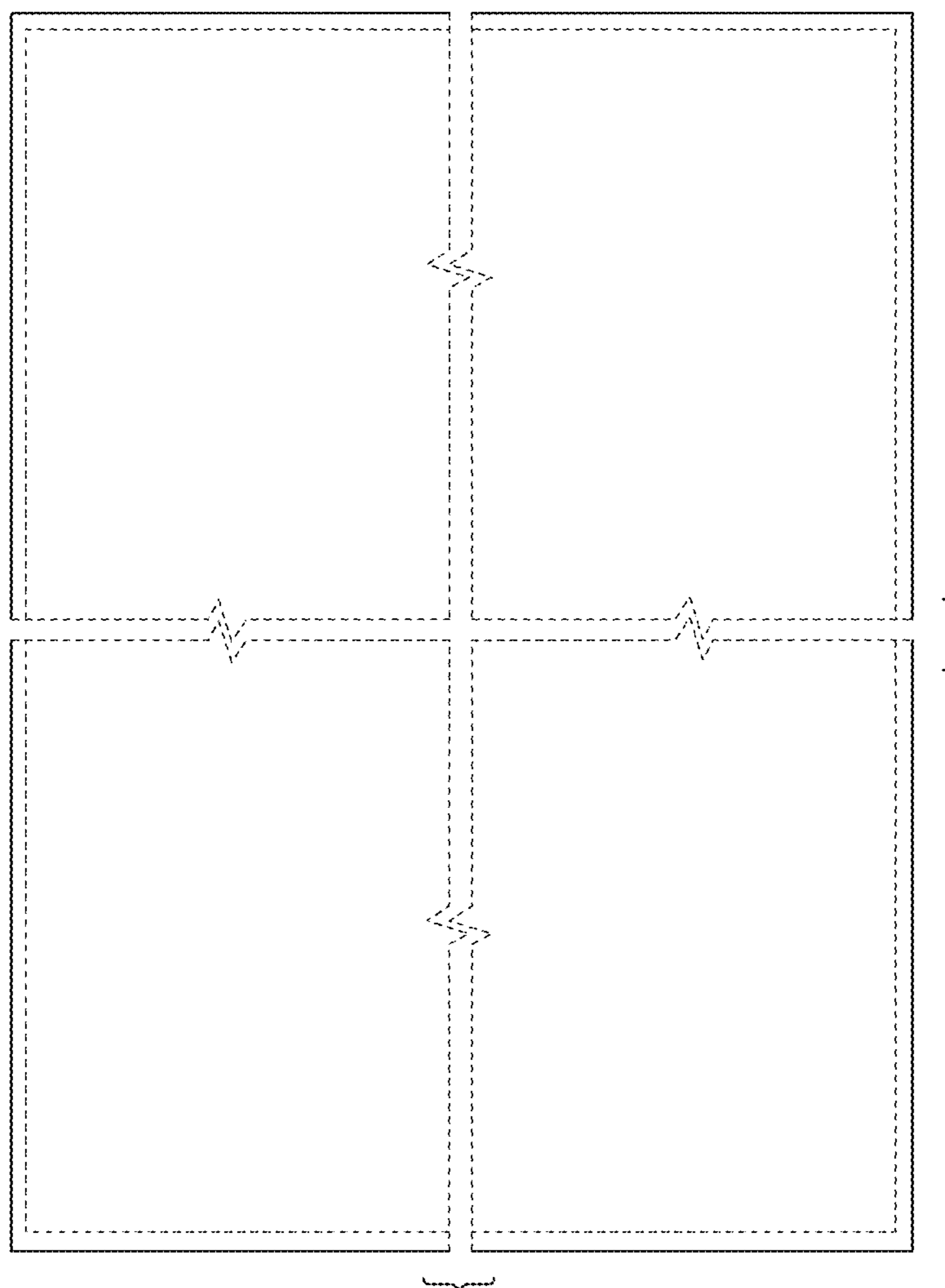


FIG. 3

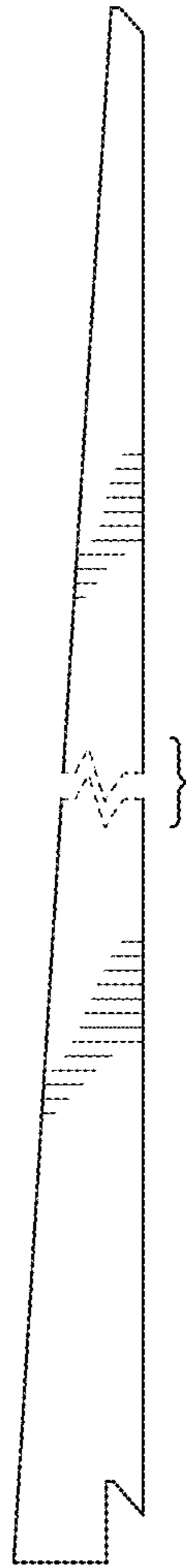


FIG. 4



FIG. 5

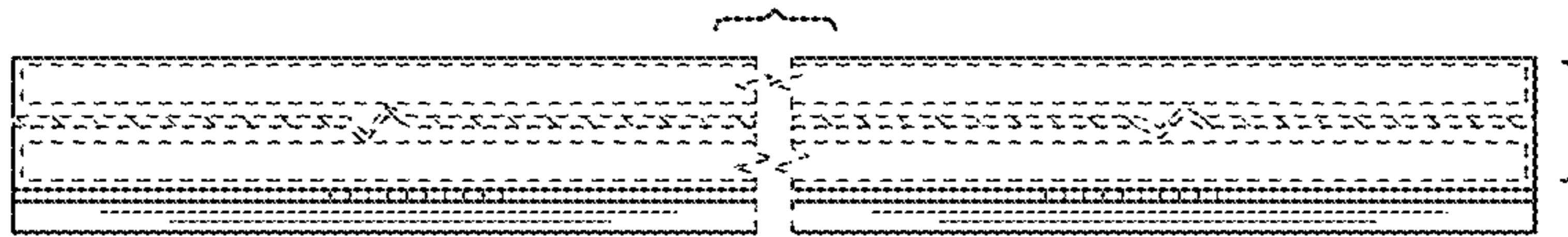


FIG. 6

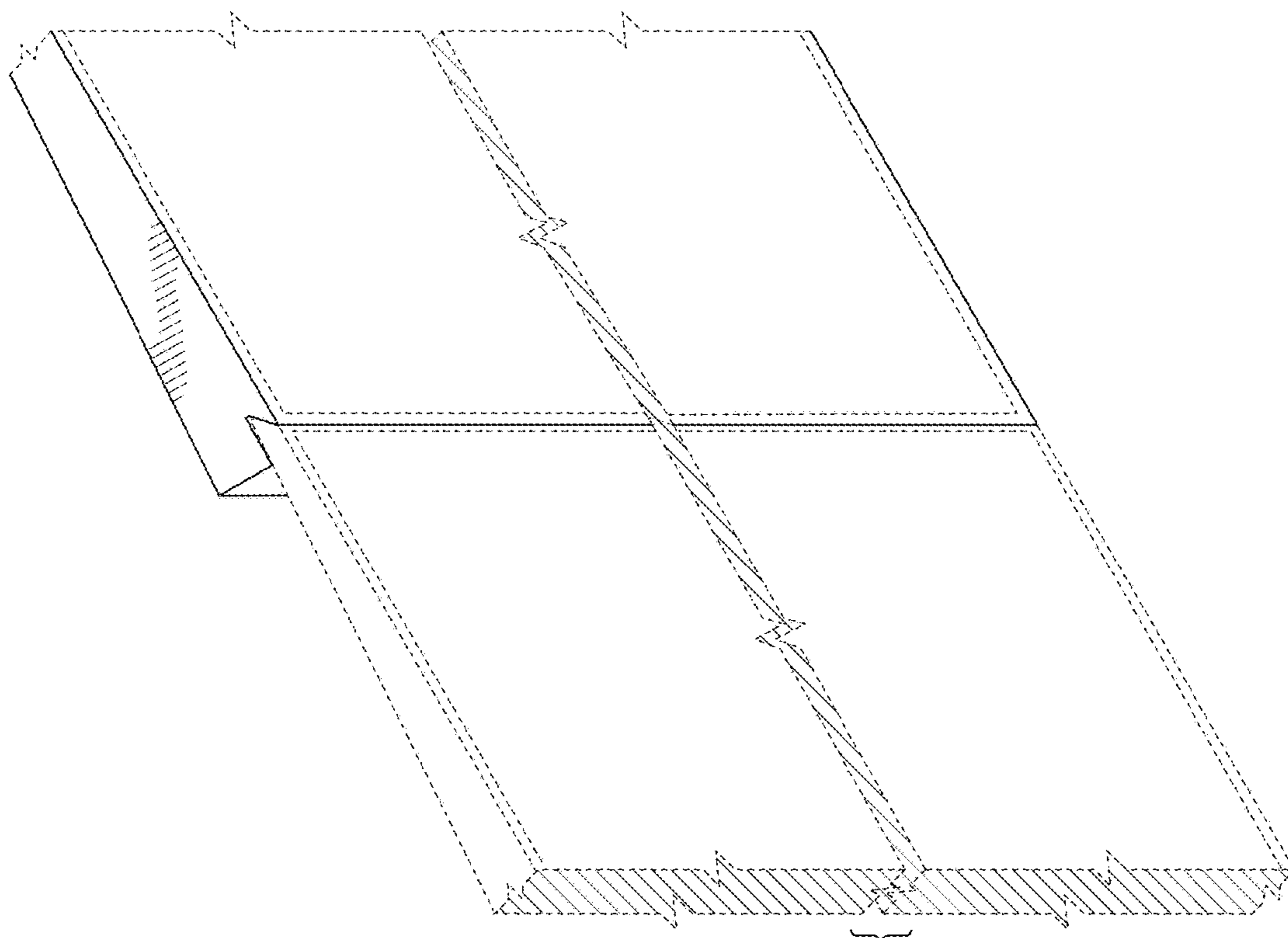


FIG. 7

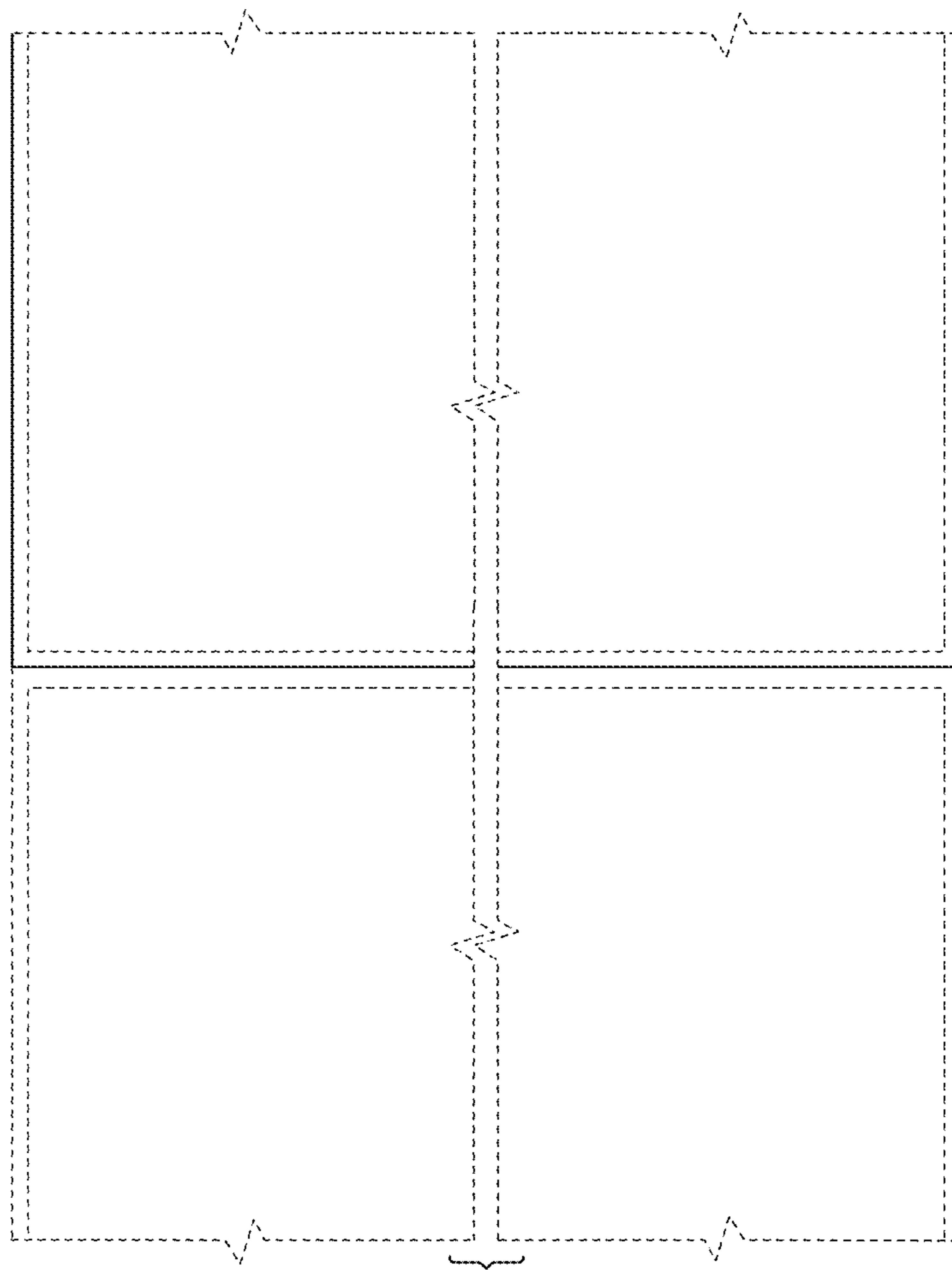


FIG. 8

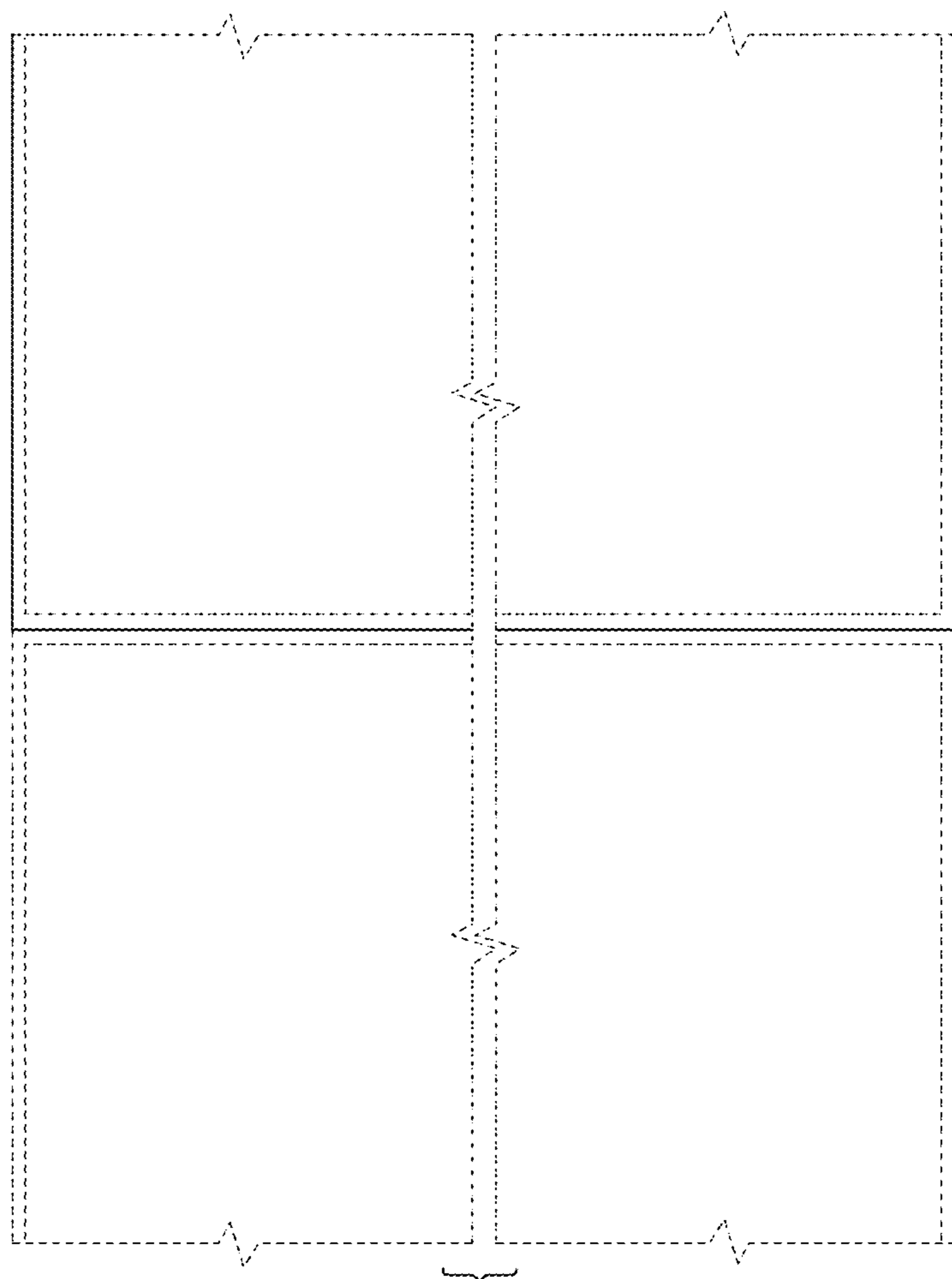


FIG. 9

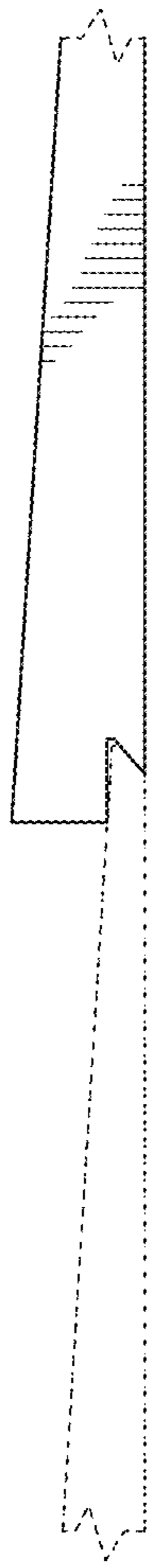


FIG. 10