



US00D783179S

(12) **United States Design Patent** (10) **Patent No.:** **US D783,179 S**
Gill et al. (45) **Date of Patent:** **** Apr. 4, 2017**

(54) **MODULAR BUILDING**

(71) Applicants: **Peter E. Gill**, Tamuning, GU (US);
Peter E. Gill, III, Tamuning, GU (US)

(72) Inventors: **Peter E. Gill**, Tamuning, GU (US);
Peter E. Gill, III, Tamuning, GU (US)

(73) Assignee: **KWIKSPACE GUAM, INC.**, Hagatna,
GU (US)

(**) Term: **15 Years**

(21) Appl. No.: **29/547,350**

(22) Filed: **Dec. 3, 2015**

Related U.S. Application Data

(63) Continuation-in-part of application No. 14/221,335,
filed on Mar. 21, 2014, which is a continuation-in-part
of application No. 14/143,057, filed on Dec. 30, 2013,
now abandoned, which is a continuation-in-part of
application No. 13/870,141, filed on Apr. 25, 2013,
now Pat. No. 8,640,396.

(51) **LOC (10) Cl.** **25-03**

(52) **U.S. Cl.**
USPC **D25/32**

(58) **Field of Classification Search**
USPC D25/1-35
CPC E04B 1/02; E04B 1/04; E04B 1/10; E04B
1/343; E04B 7/02; E04D 13/00; E04D
13/15; E04H 9/00; E04H 9/02; E04H
9/04; E04H 9/14; E04H 9/16; E04H 7/00;
E04H 7/02; E04H 6/00; E04H 5/00;
E04H 5/02; E04H 5/04; E04H 14/00;
E04H 13/00; E04H 12/00; E04H 12/18;
E04H 12/34

See application file for complete search history.

(56) **References Cited**

U.S. PATENT DOCUMENTS

3,095,616	A *	7/1963	Bigelow, Jr.	B60P 3/34 254/45
3,104,427	A *	9/1963	Bearde	E04B 1/02 52/250
3,137,041	A *	6/1964	Mullen	B60P 3/34 296/171
3,462,897	A *	8/1969	Weinrott	E04B 1/10 52/169.14
D216,954	S *	3/1970	Jenn	52/79.7
3,507,079	A *	4/1970	George	E04D 13/15 52/314
3,768,217	A *	10/1973	Tyson	E04D 13/15 52/543

(Continued)

Primary Examiner — Manpreet Matharu

Assistant Examiner — Suzanne Tisdell

(74) *Attorney, Agent, or Firm* — Donald J. Ersler

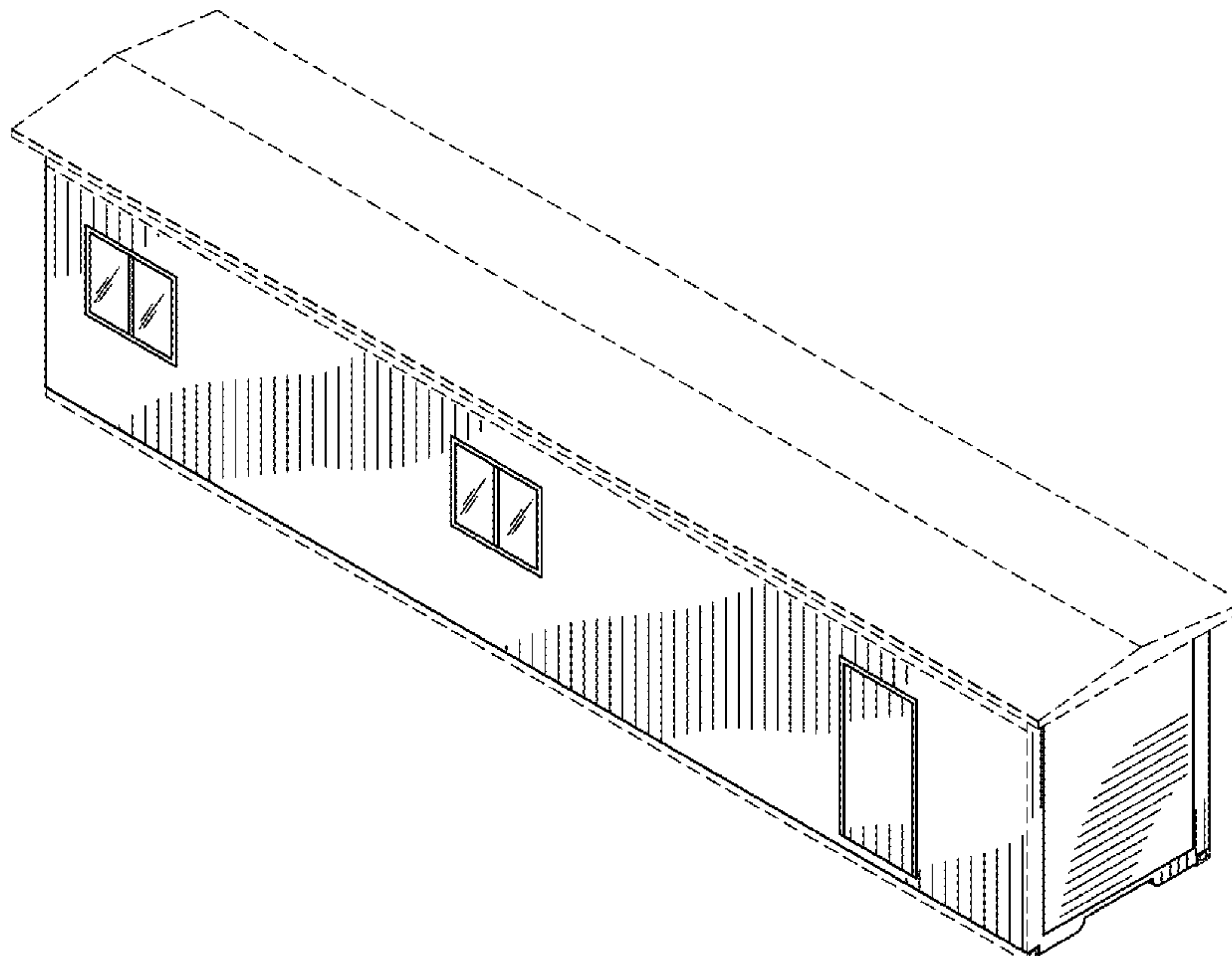
(57) **CLAIM**

The ornamental design for a modular building, as shown and
described.

DESCRIPTION

FIG. 1 is a top perspective view of a modular building
incorporating our new design;
FIG. 2 is a bottom perspective view of a modular building;
FIG. 3 is a front view of a modular building;
FIG. 4 is a left side or right side view of a modular building;
FIG. 5 is a top plan view of a modular building; and,
FIG. 6 is a bottom plan view of a modular building.
The broken lines shown in the drawings illustrate portions of
the modular building that forms no part of the claimed
invention.

1 Claim, 6 Drawing Sheets



(56)

References Cited

U.S. PATENT DOCUMENTS

4,122,639 A * 10/1978 Barrell E04B 7/02
52/92.1
4,435,926 A * 3/1984 Struben E04B 7/02
52/22
D285,971 S * 9/1986 Marty D25/17
D293,925 S * 1/1988 Roy D21/511
5,706,614 A 1/1998 Wiley, Jr. et al.
D390,970 S * 2/1998 Abrams D25/1
5,983,572 A * 11/1999 Laboy E04B 7/02
52/167.1
6,578,331 B1 * 6/2003 Leslie E04B 1/10
52/262
7,086,209 B1 * 8/2006 Pruitt E04B 1/34336
52/125.1
D625,835 S * 10/2010 McKimmy D25/33
8,001,730 B2 8/2011 Wallance
D771,272 S * 11/2016 Hart D25/1
D771,274 S * 11/2016 Breen D25/22
D771,835 S * 11/2016 Bottin D25/33
2002/0174606 A1 * 11/2002 Hunt E04B 1/04
52/79.1
2005/0284064 A1 * 12/2005 Price E04B 1/10
52/404.1
2013/0061553 A1 * 3/2013 Nagy E04B 1/04
52/741.3

* cited by examiner

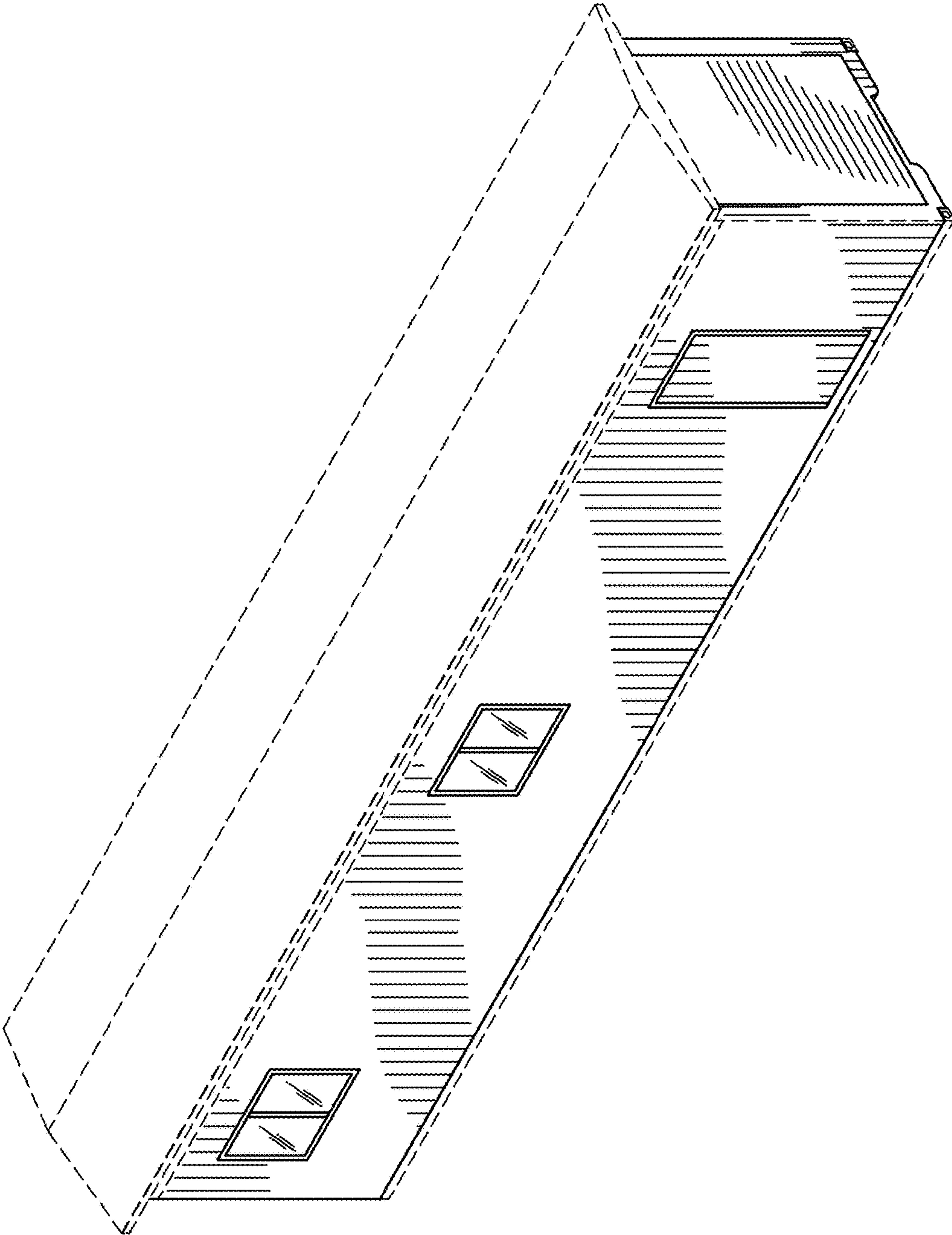


FIG. 1

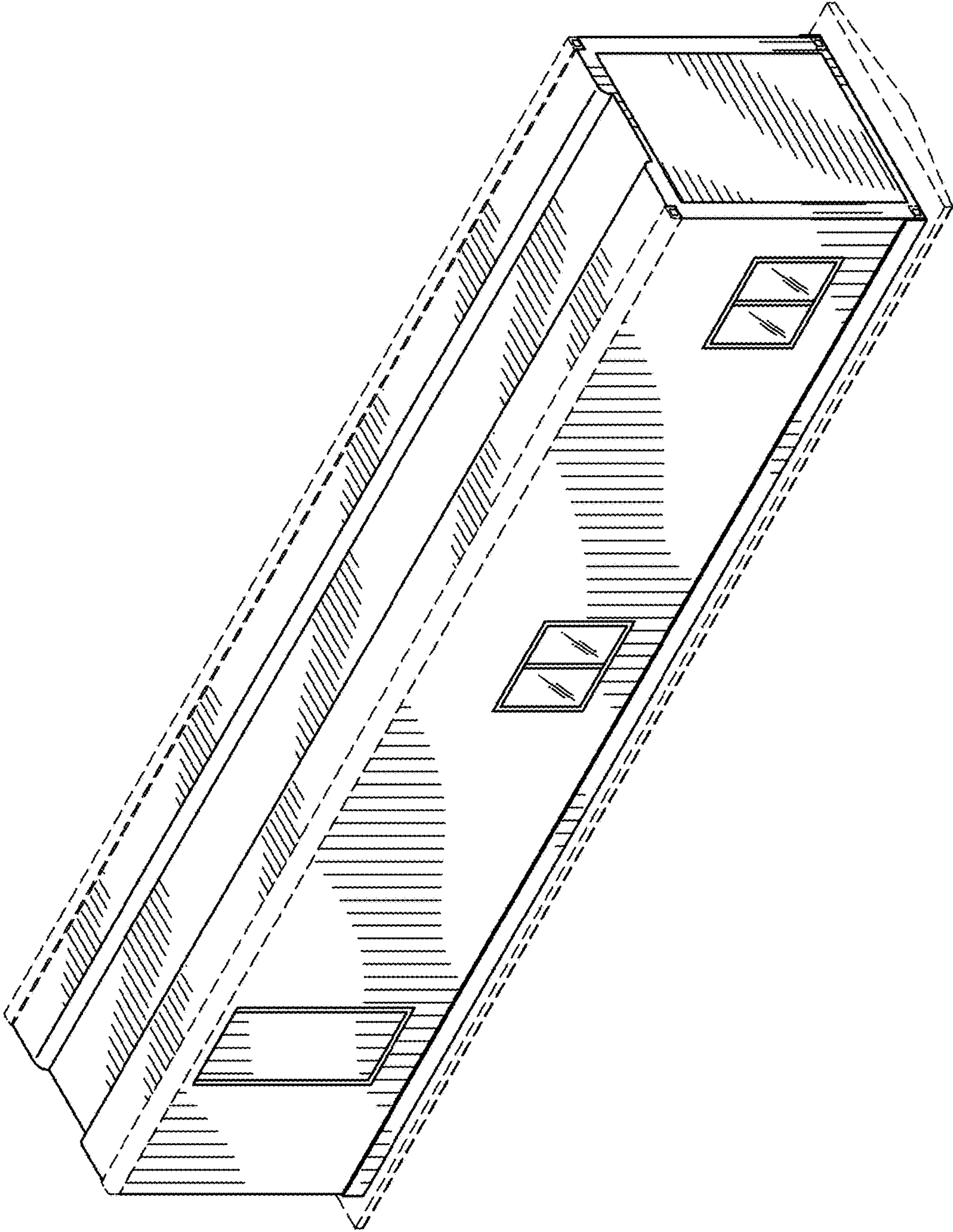


FIG. 2

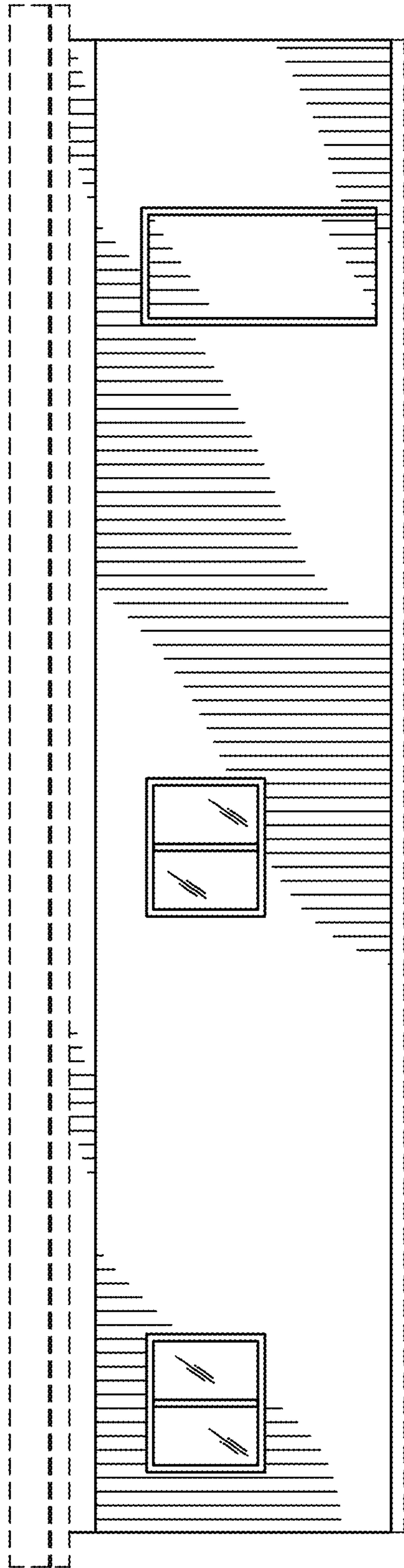


FIG. 3

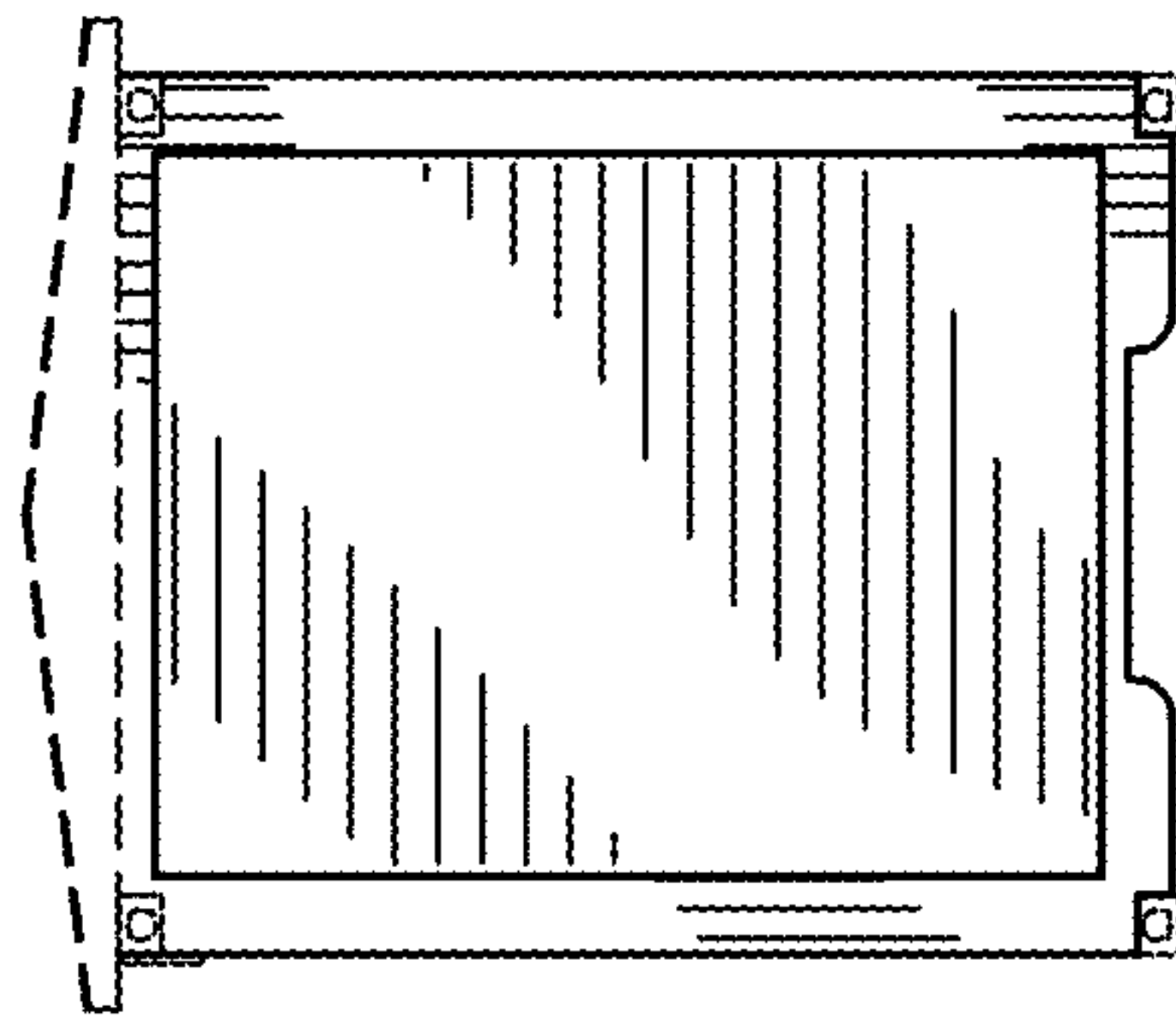


FIG. 4

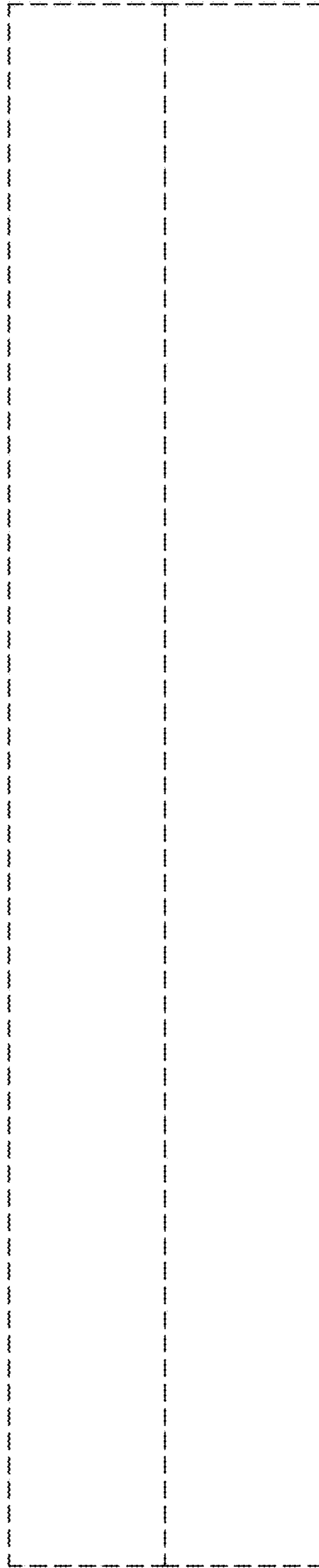


FIG. 5

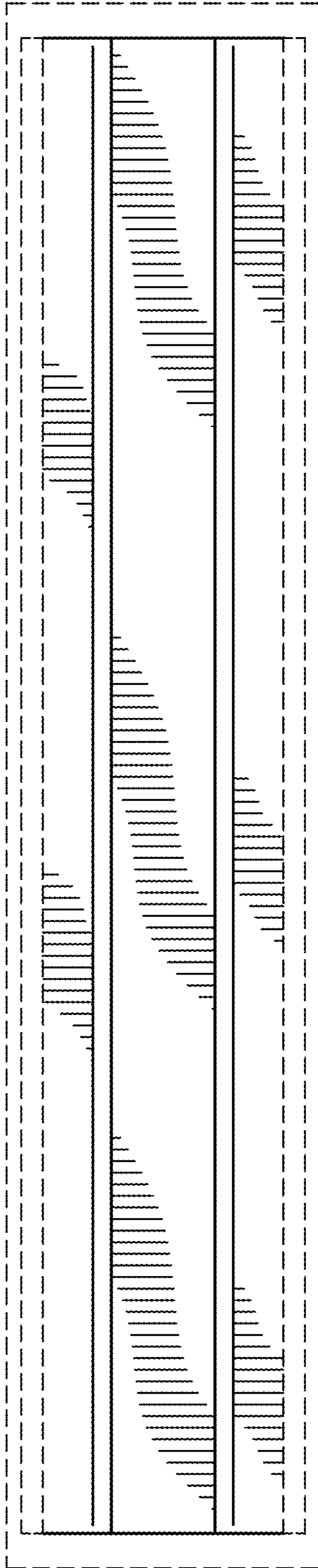


FIG. 6