



US00D783178S

(12) **United States Design Patent** (10) **Patent No.:** **US D783,178 S**  
**Mead et al.** (45) **Date of Patent:** **\*\* Apr. 4, 2017**

(54) **WESTERN BLOT PROCESSING DEVICE HOUSING**

(71) Applicant: **LIFE TECHNOLOGIES CORPORATION**, Carlsbad, CA (US)

(72) Inventors: **Josh Mead**, San Diego, CA (US); **Sandro Klein**, Irvine, CA (US); **Xin Mathers**, Poway, CA (US); **Kyle Bulloch**, San Diego, CA (US)

(73) Assignee: **LIFE TECHNOLOGIES CORPORATION**, Carlsbad, CA (US)

(\*\*) Term: **15 Years**

(21) Appl. No.: **29/526,967**

(22) Filed: **May 14, 2015**

(51) **LOC (10) Cl.** ..... **24-01**

(52) **U.S. Cl.**  
USPC ..... **D24/232**

(58) **Field of Classification Search**  
USPC ..... D24/216–219, 231, 232, 233, 107, 169, D24/186; D10/81

(Continued)

(56) **References Cited**

U.S. PATENT DOCUMENTS

6,194,160 B1 \* 2/2001 Levin ..... G01N 33/54366  
422/527

D681,234 S \* 4/2013 Benarieh ..... D24/233  
(Continued)

*Primary Examiner* — Anhdao Doan

(57) **CLAIM**

The ornamental design for a western blot processing device housing, as shown and described.

**DESCRIPTION**

FIG. 1 is a perspective view of a first embodiment of our new western blot processing device housing.

FIG. 2 is a front view of a first embodiment of our new western blot processing device housing.

FIG. 3 is a rear view of a first embodiment of our new western blot processing device housing.

FIG. 4 is a right side view of a first embodiment of our new western blot processing device housing.

FIG. 5 is a left side view of a first embodiment of our new western blot processing device housing.

FIG. 6 is a top view of a first embodiment of our new western blot processing device housing.

FIG. 7 is a bottom view of a first embodiment of our new western blot processing device housing.

FIG. 8 is an open back lid perspective view of a first embodiment of our new western blot processing device housing.

FIG. 9 is an open back lid perspective view of a second embodiment of our new western blot processing device housing.

FIG. 10 is an open lid perspective view of a first embodiment of our new western blot processing device housing.

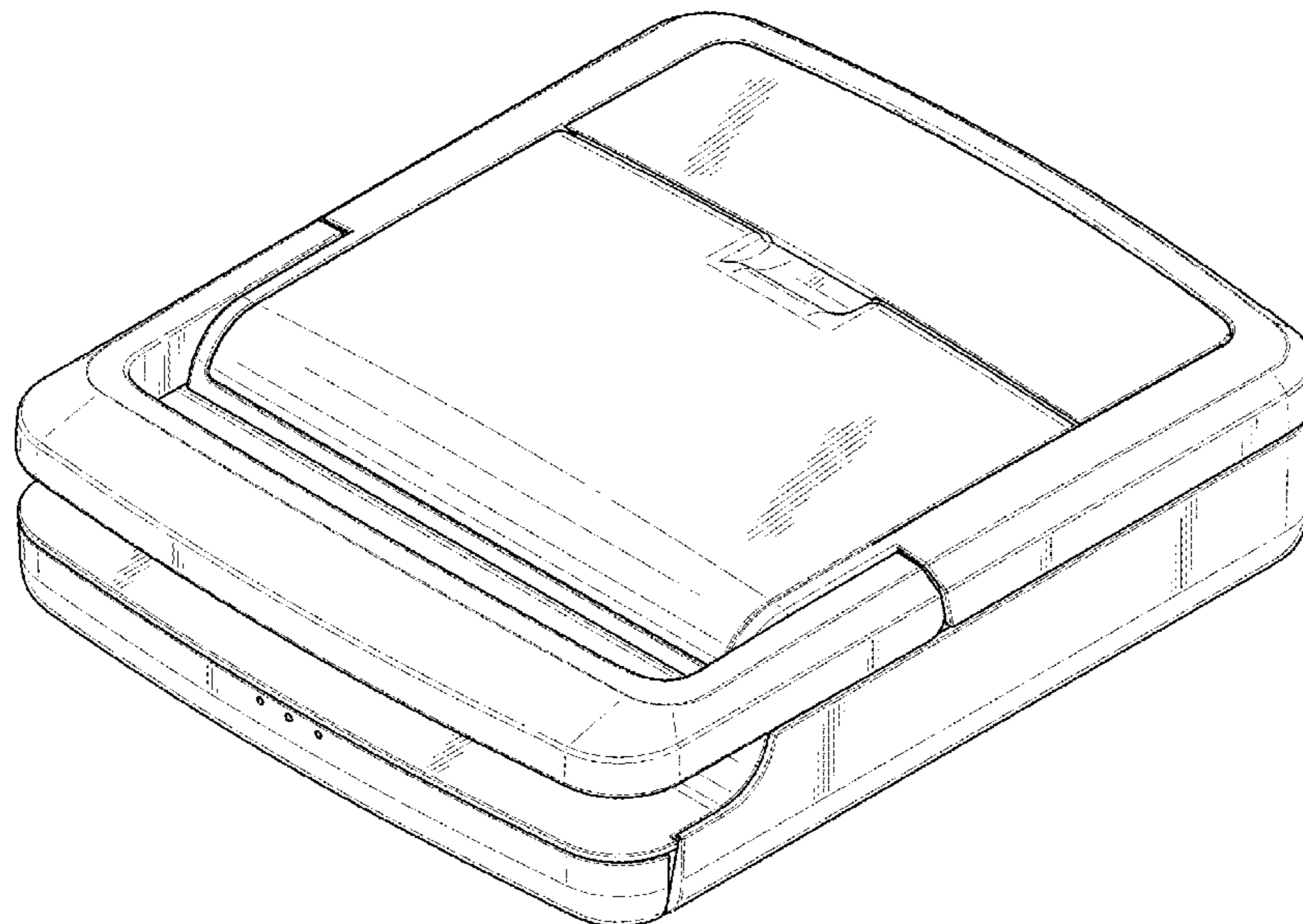
FIG. 11 is an open lid perspective view of a second embodiment of our new western blot processing device housing.

FIG. 12 is an open drawer perspective view of a first embodiment of our new western blot processing device housing; and,

FIG. 13 is an open drawer perspective view of a second embodiment of our new western blot processing device housing.

The broken lines immediately adjacent the shaded areas represent the bounds of the claim, while all other broken lines are directed to environment and are for illustrative purposes only; the broken lines form no part of the claimed design.

**1 Claim, 13 Drawing Sheets**



(58) **Field of Classification Search**

CPC ..... G01N 2035/00306; G01N 2035/00326;  
G01N 2035/00336; G01N 35/1085; G01N  
2021/6432; C12Q 1/6869; C12Q 1/6806  
See application file for complete search history.

(56) **References Cited**

U.S. PATENT DOCUMENTS

D717,968	S	*	11/2014	Klein	.....	D24/232
D730,216	S	*	5/2015	McLaughlin	.....	D24/216
D731,673	S	*	6/2015	Klein	.....	D24/232
D735,883	S	*	8/2015	Bauer	.....	D24/231
D738,527	S	*	9/2015	Benarieh	.....	D13/110
D748,815	S	*	2/2016	Murray	.....	D24/233
D757,295	S	*	5/2016	Benarieh	.....	D24/233

\* cited by examiner

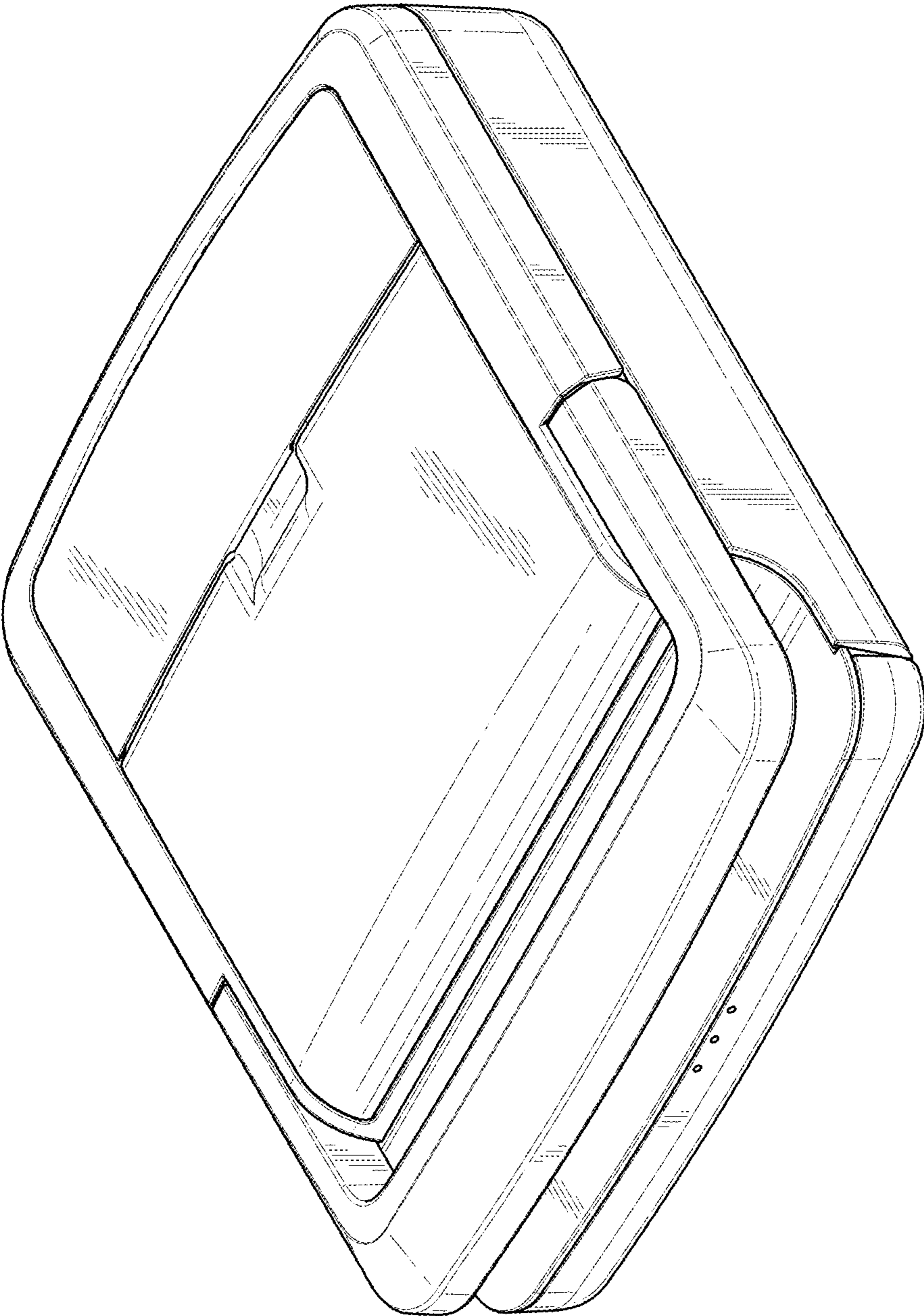


FIG. 1

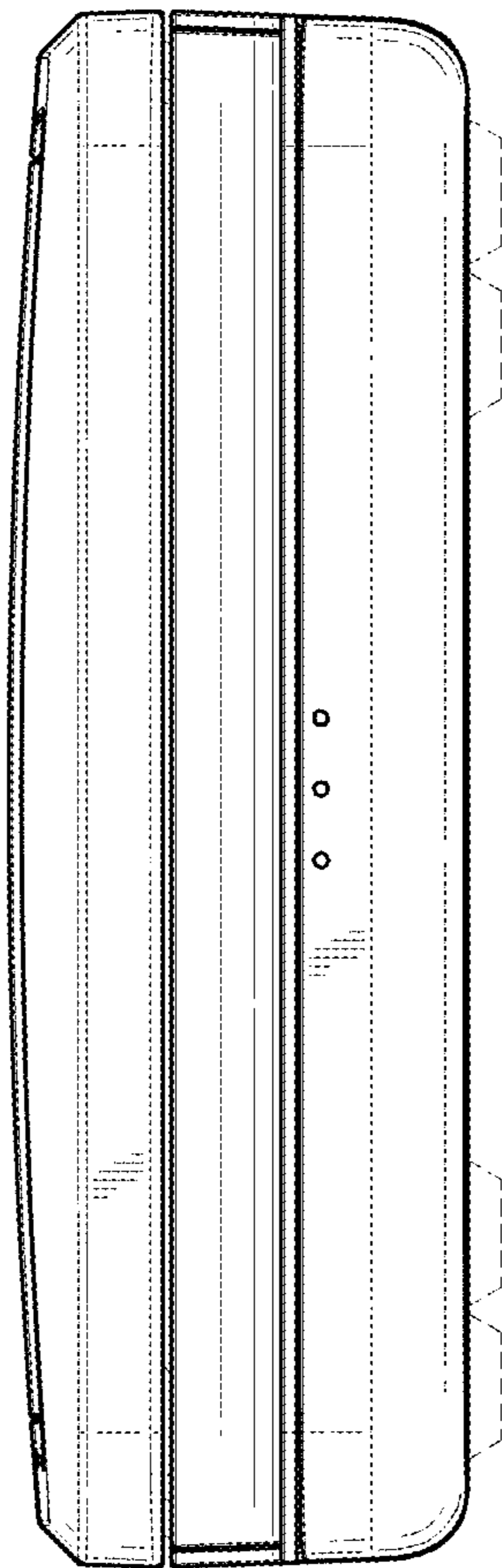


FIG. 2

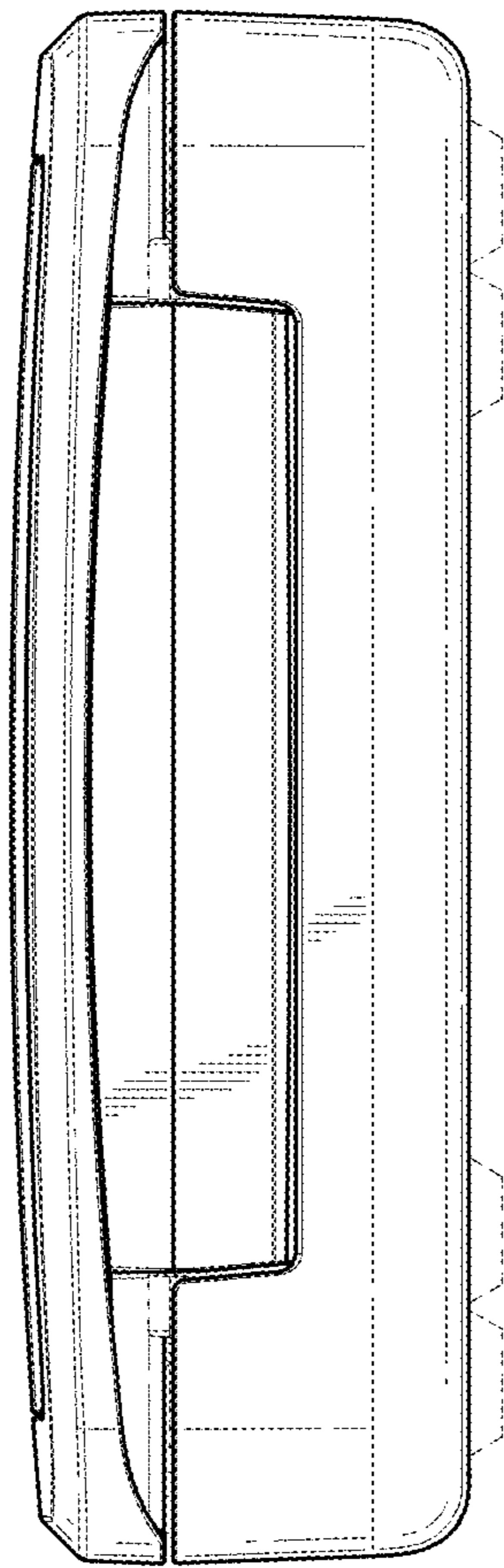


FIG. 3

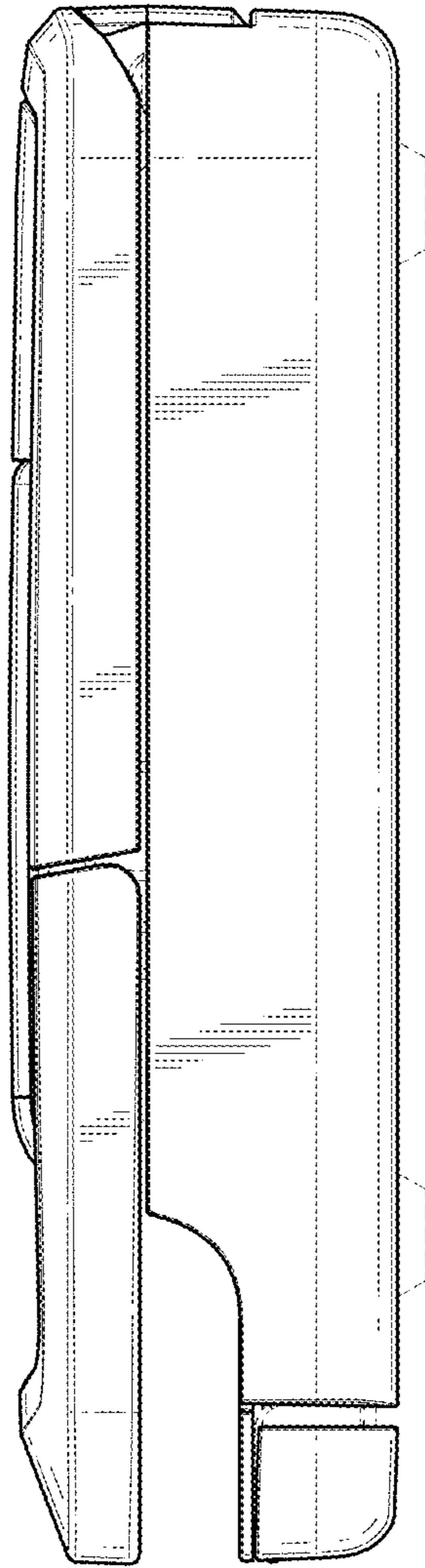


FIG. 4

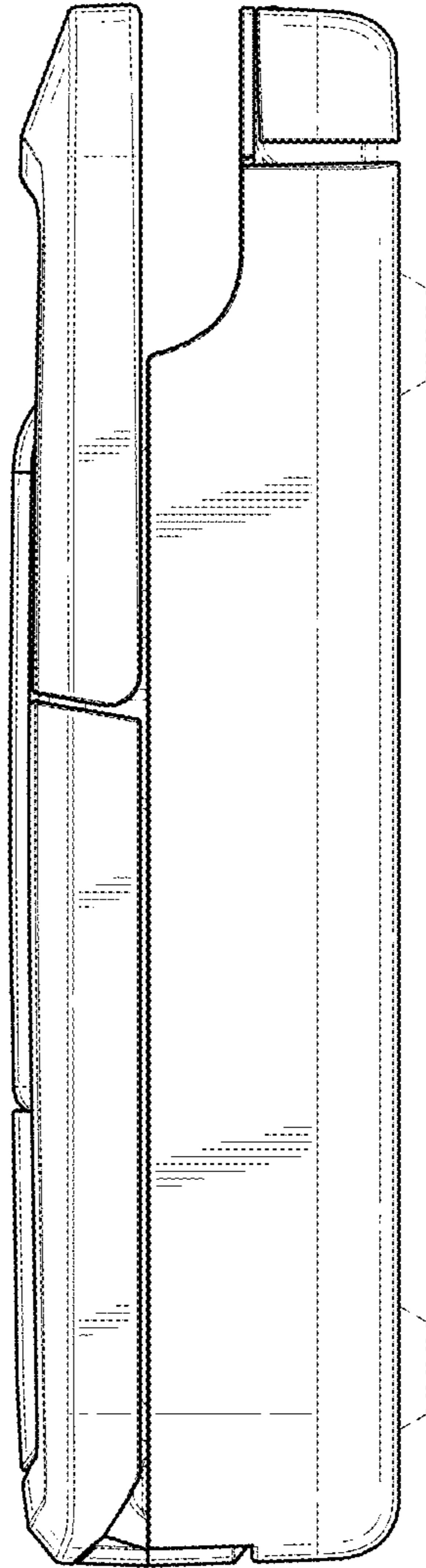


FIG. 5

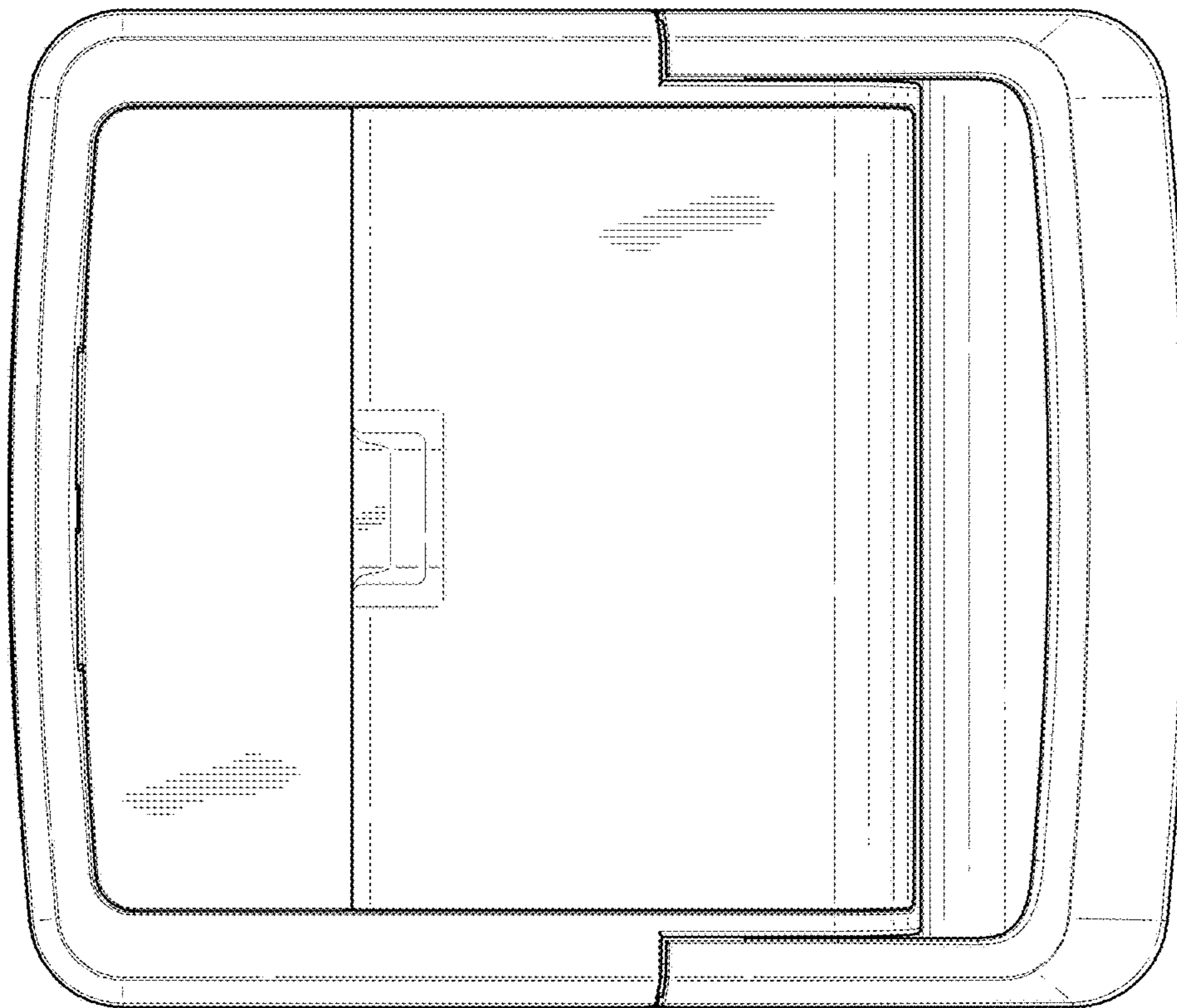


FIG. 6



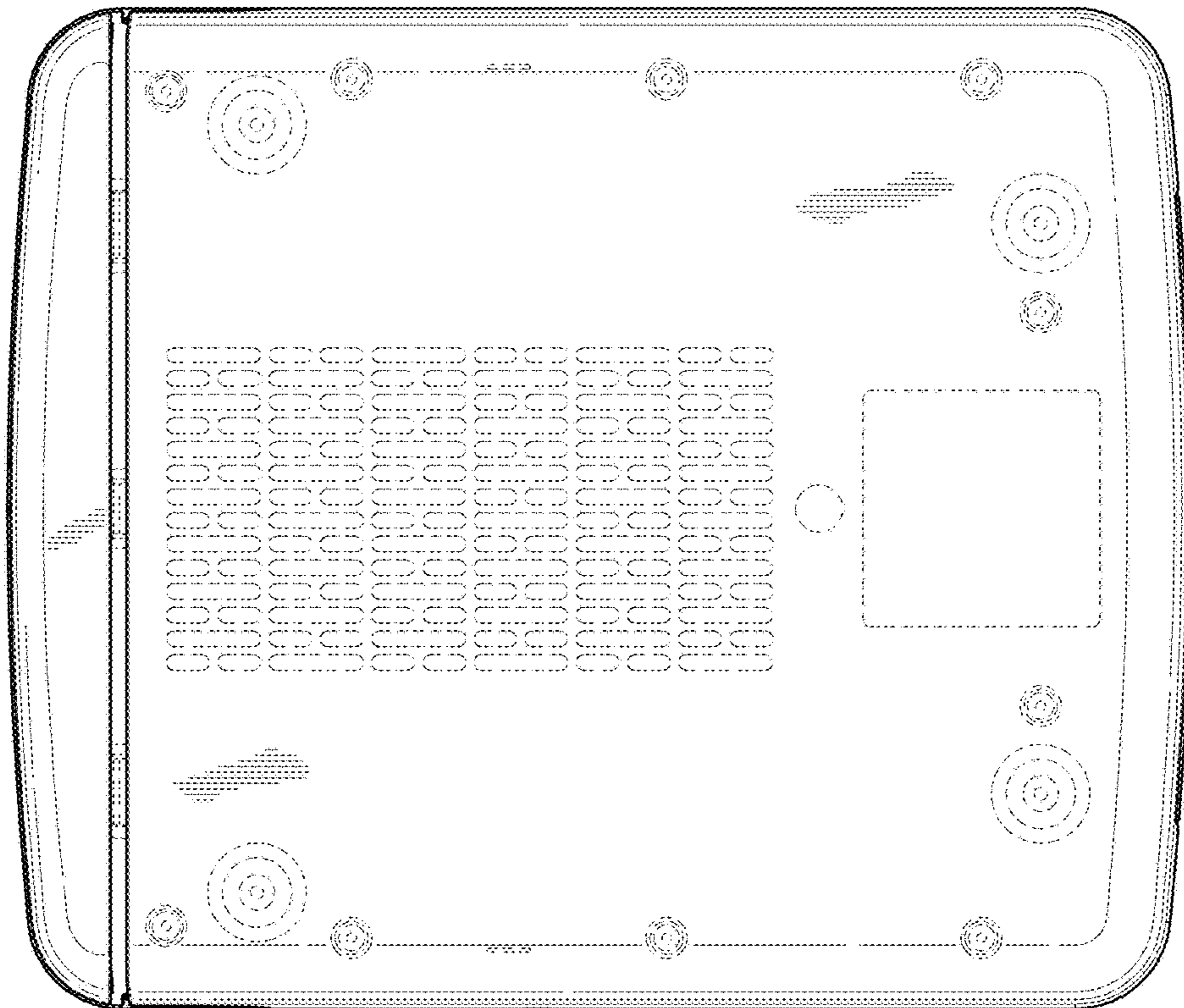


FIG. 7

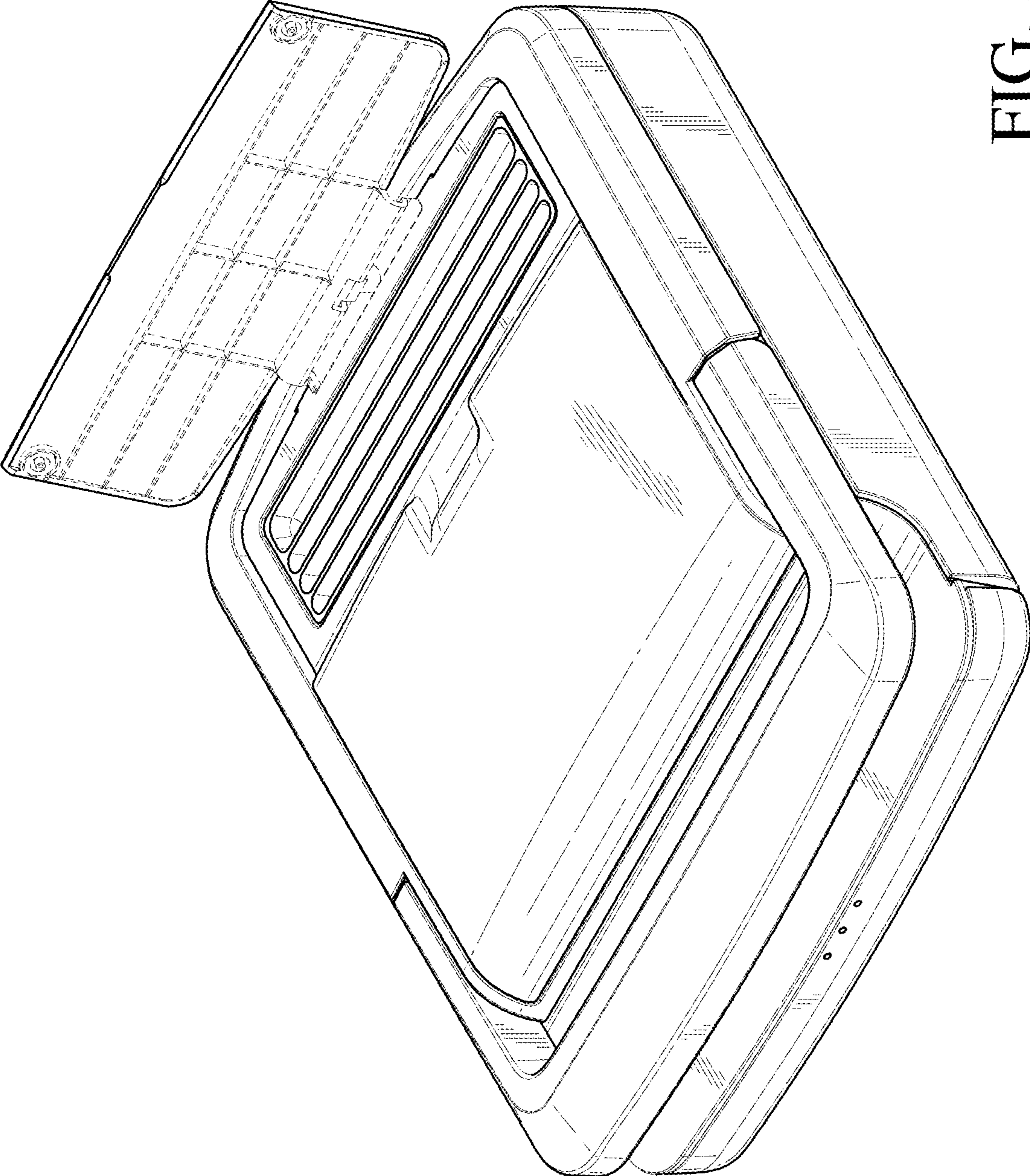


FIG. 8

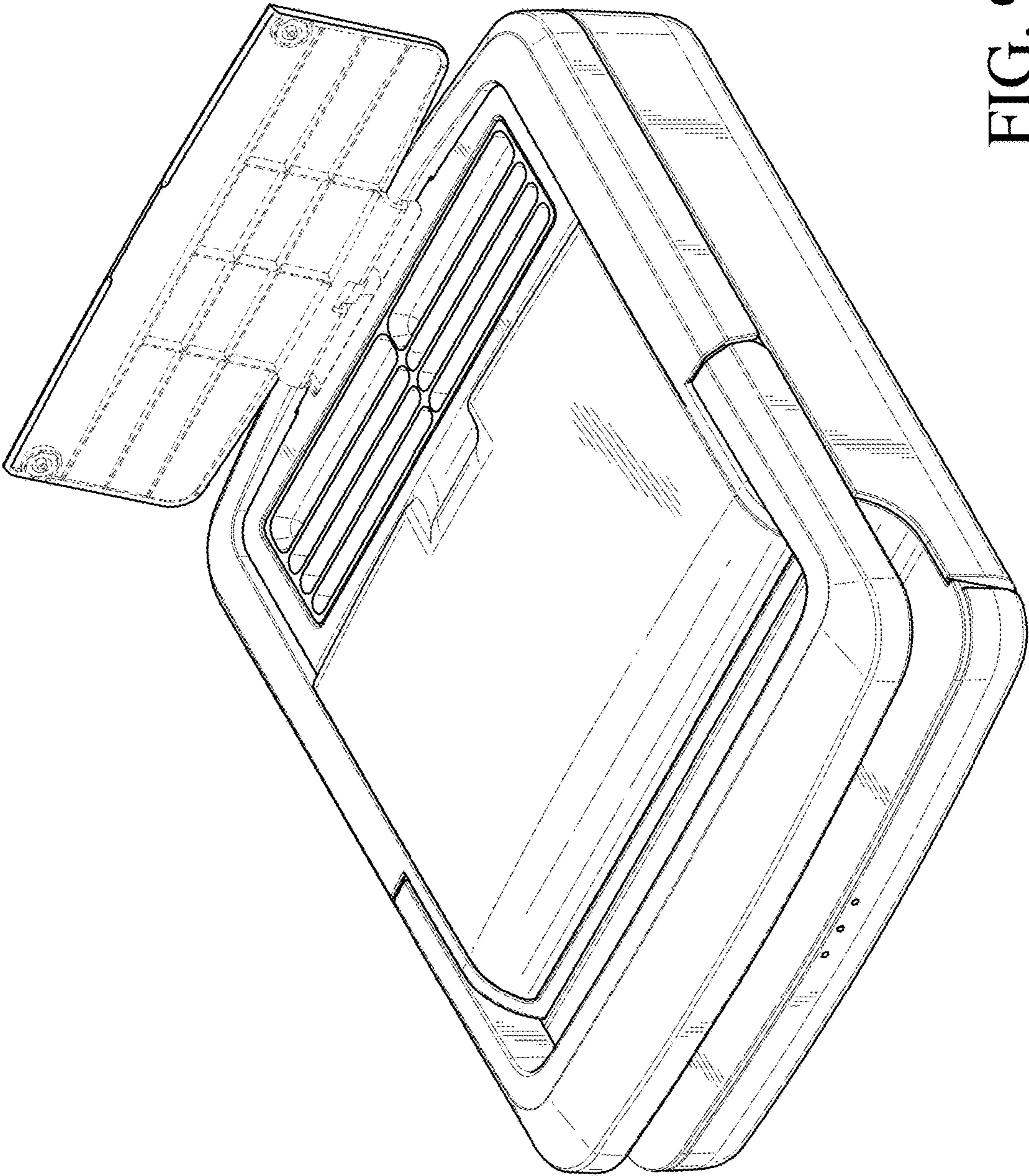


FIG. 9

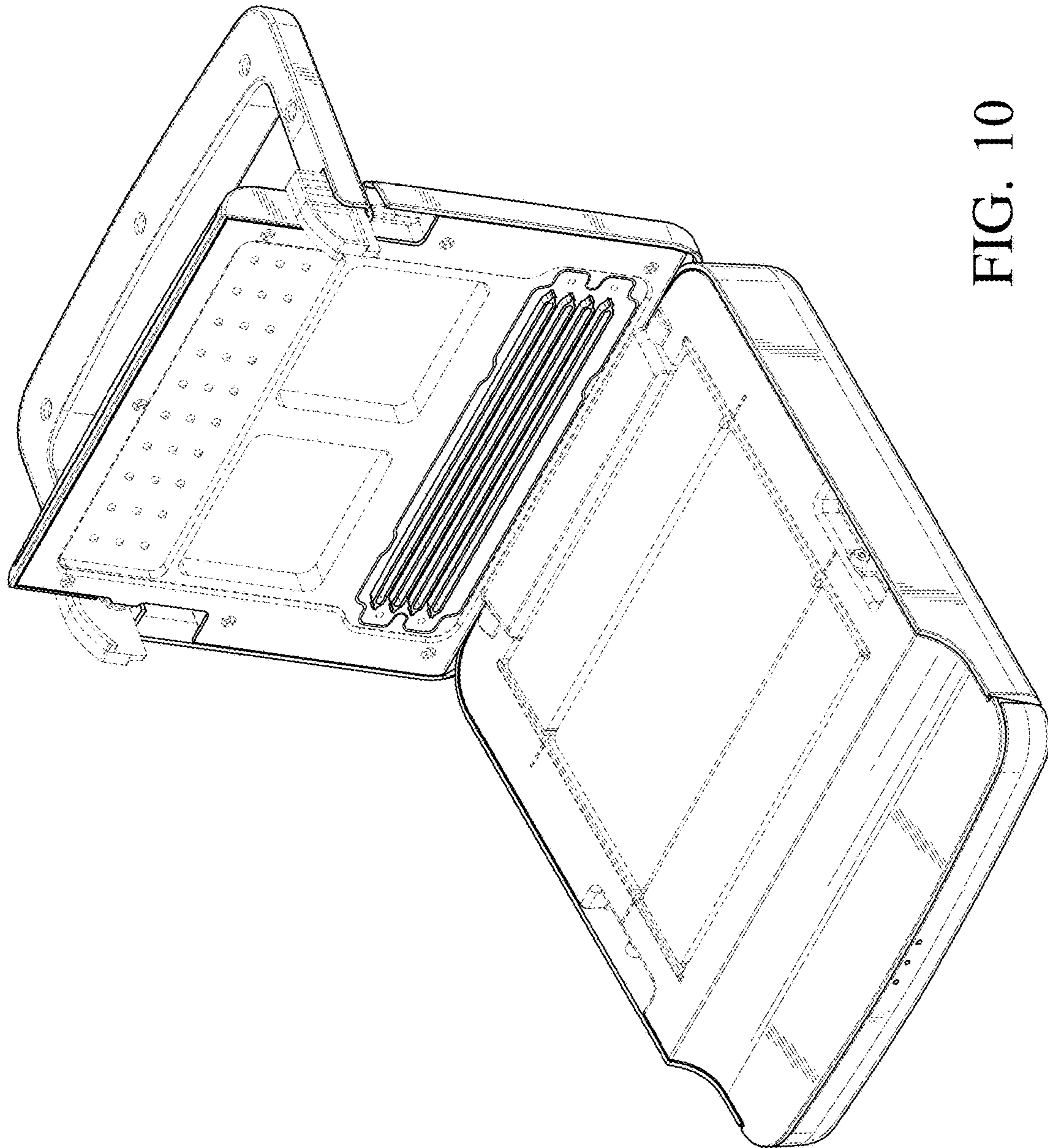


FIG. 10

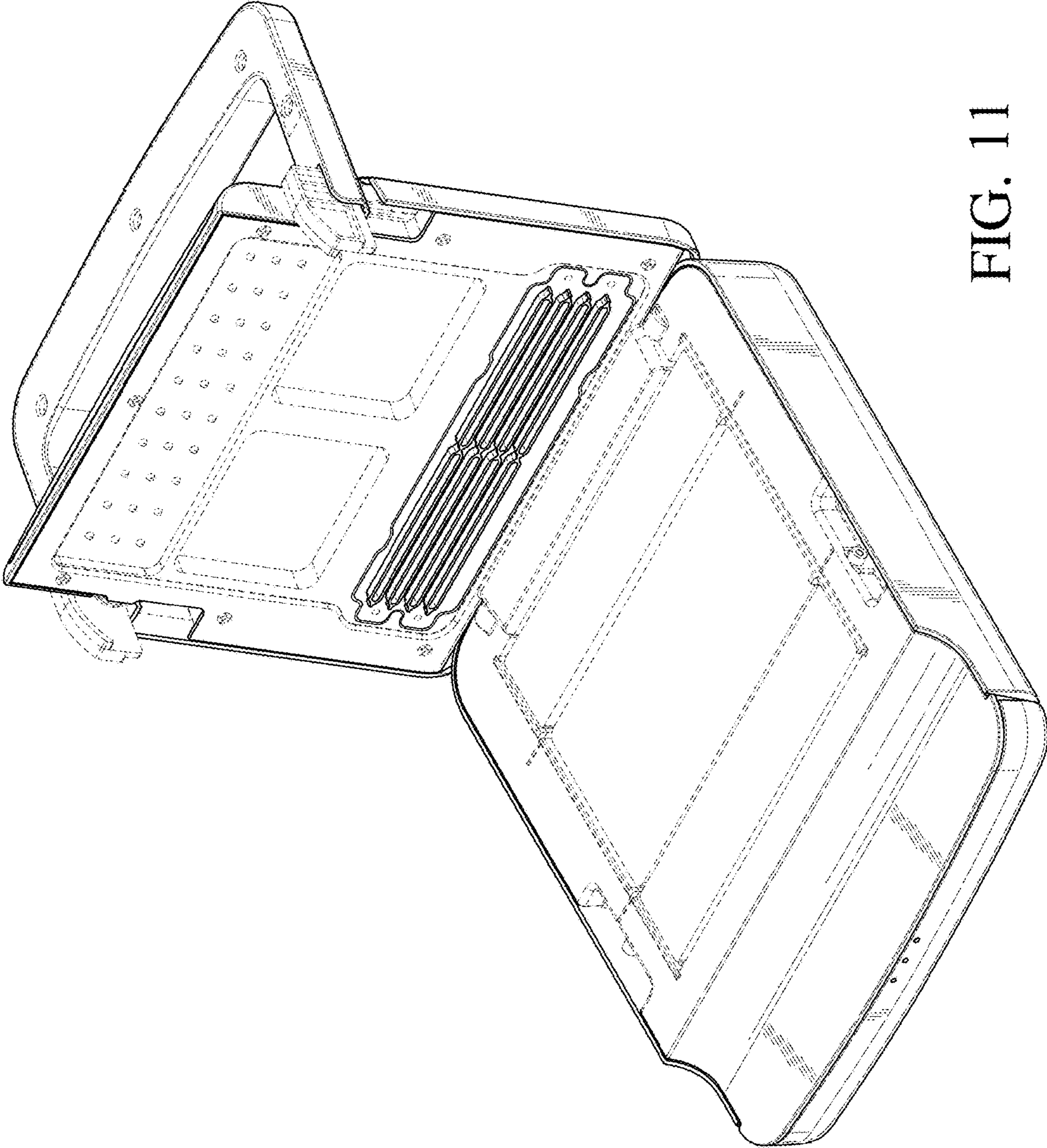


FIG. 11

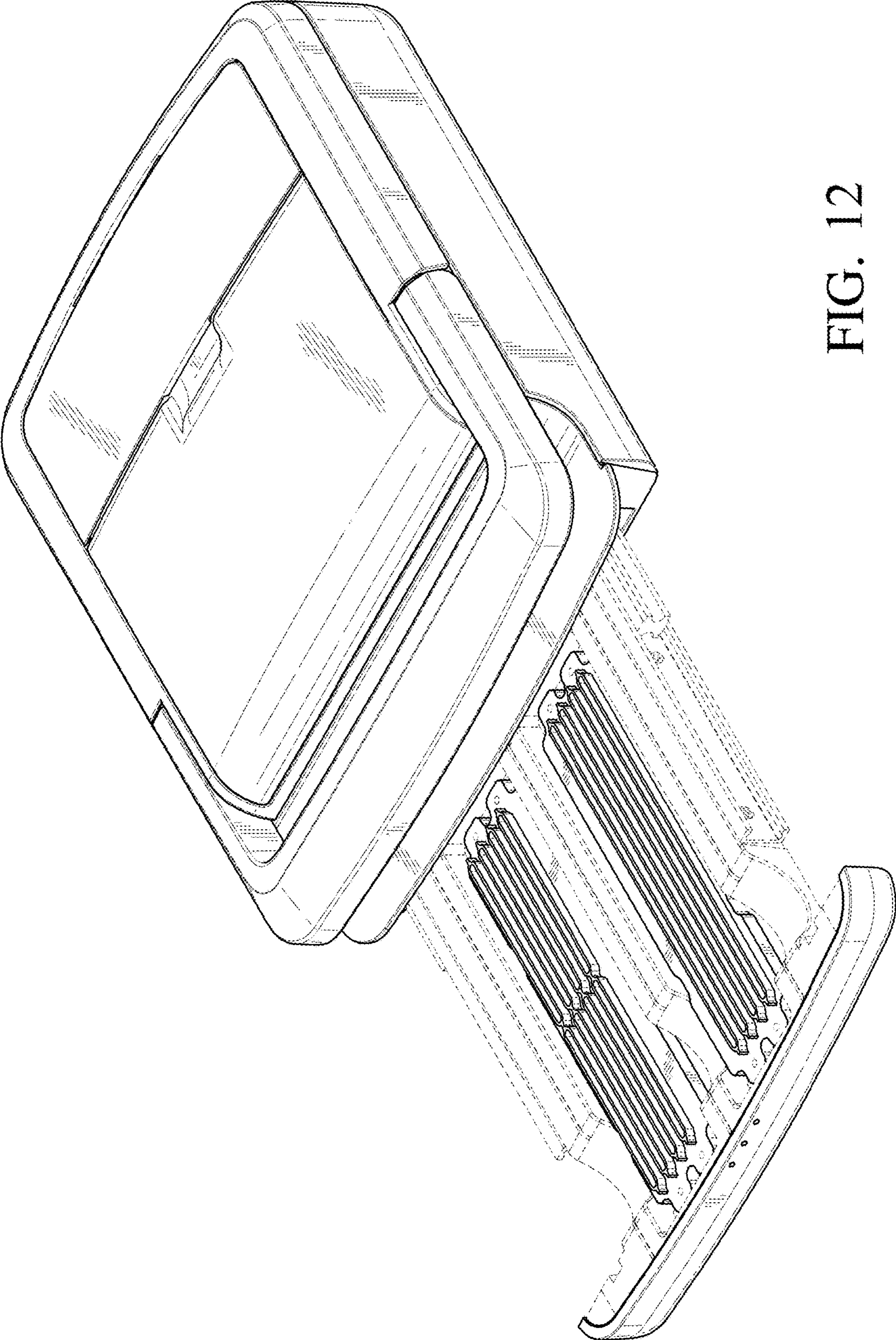


FIG. 12

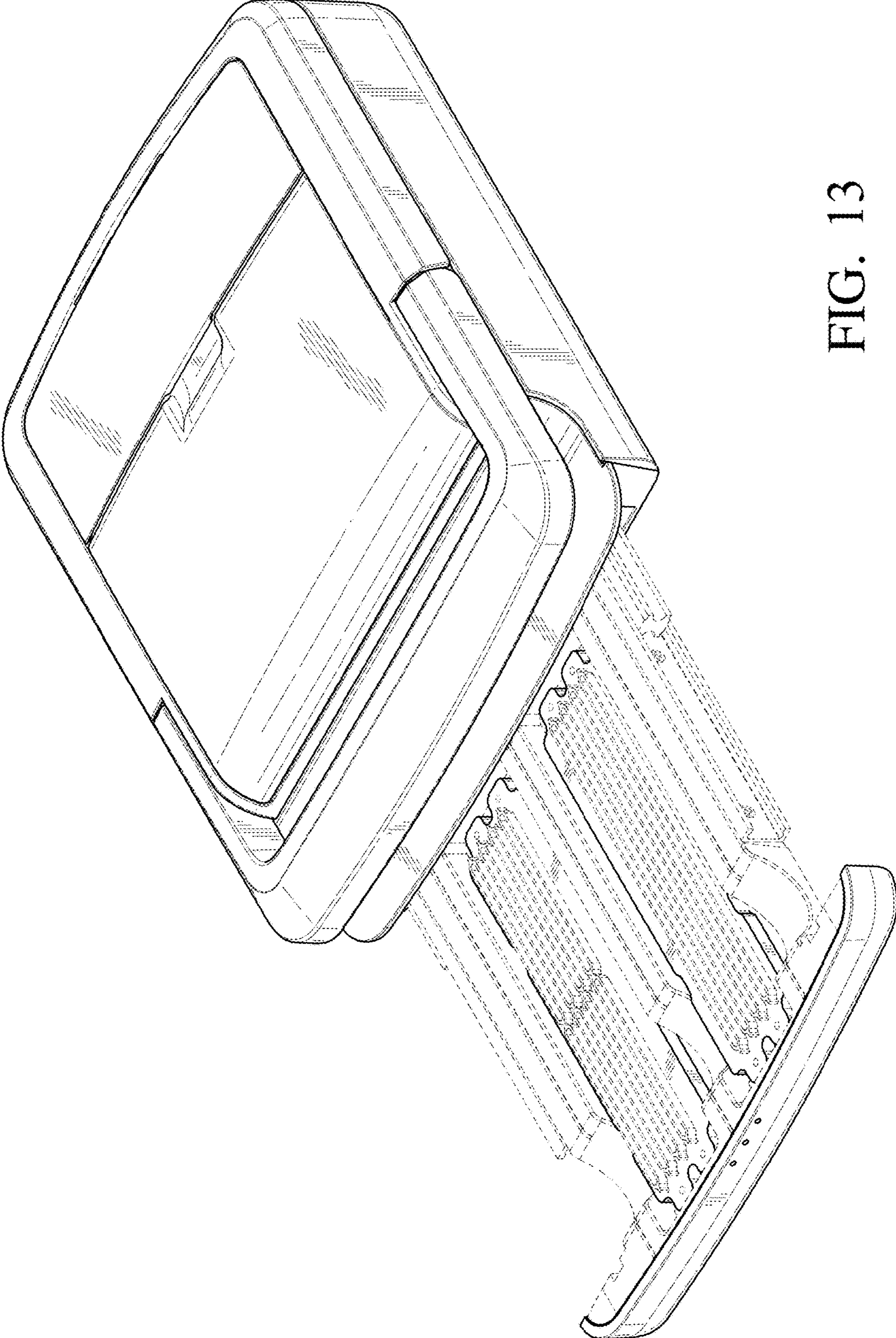


FIG. 13