



US00D783177S

(12) **United States Design Patent**
Kawamura

(10) **Patent No.:** **US D783,177 S**
(45) **Date of Patent:** **** Apr. 4, 2017**

(54) **TRAY FOR STERILIZATION AND
FREEZE-DRYING OF VIALS**

(71) Applicant: **DAIKYO SEIKO, LTD.**, Tokyo (JP)

(72) Inventor: **Hideaki Kawamura**, Tokyo (JP)

(73) Assignee: **DAIKYO SEIKO, LTD.**, Tokyo (JP)

(**) Term: **15 Years**

(21) Appl. No.: **29/540,299**

(22) Filed: **Sep. 23, 2015**

(30) **Foreign Application Priority Data**

Apr. 14, 2015 (JP) 2015-008379

(51) **LOC (10) Cl.** **24-02**

(52) **U.S. Cl.**
USPC **D24/227**

(58) **Field of Classification Search**
USPC D24/107, 216, 217, 224-232; D7/590,
D7/600.1; 422/50, 560-562, 566, 551,
422/552, 554, 22; 206/139, 199; 211/74,
211/13.1, 60.1

CPC ... G01N 35/02; B65D 1/36; A61J 1/06; A61L
2/06

See application file for complete search history.

(56) **References Cited**

U.S. PATENT DOCUMENTS

D469,544 S * 1/2003 Lafond D24/224
D605,303 S * 12/2009 Monks D24/224
D674,507 S * 1/2013 Suzuki D24/229
D675,338 S * 1/2013 Suzuki D24/229

(Continued)

Primary Examiner — Susan Bennett Hattan

Assistant Examiner — Rebecca Tsehaye

(74) *Attorney, Agent, or Firm* — Cermak Nakajima &
McGowan LLP; Tomoko Nakajima

(57) **CLAIM**

The ornamental design for tray for sterilization and freeze-drying of vials, as shown and described.

DESCRIPTION

FIG. 1 is a front elevational view of a tray for sterilization and freeze-drying of vials showing my new design;

FIG. 2 is a rear elevational view thereof;

FIG. 3 is a perspective view thereof;

FIG. 4 is an enlarged front view of the part defined by the line 4-4 and 4'-4' of FIG. 1 thereof;

FIG. 5 is an enlarged rear elevational view of the part defined by the line 4-4 and 4'-4' of FIG. 1 thereof;

FIG. 6 is a cross-sectional view taken along the line 6-6 in FIG. 4 thereof;

FIG. 7 is a cross-sectional view taken along the line 7-7 in FIG. 4 thereof;

FIG. 8 is an enlarged perspective view of the front side of the part defined by the line 4-4 and 4'-4' of FIG. 1 thereof; and

FIG. 9 is an enlarged perspective view on the rear side of the part defined by the line 4-4 and 4'-4' of FIG. 1 thereof.

FIG. 10 is a referential sectional view taken along the line 7-7 in FIG. 4 showing the state of use thereof.

FIG. 11 is a top plan view thereof;

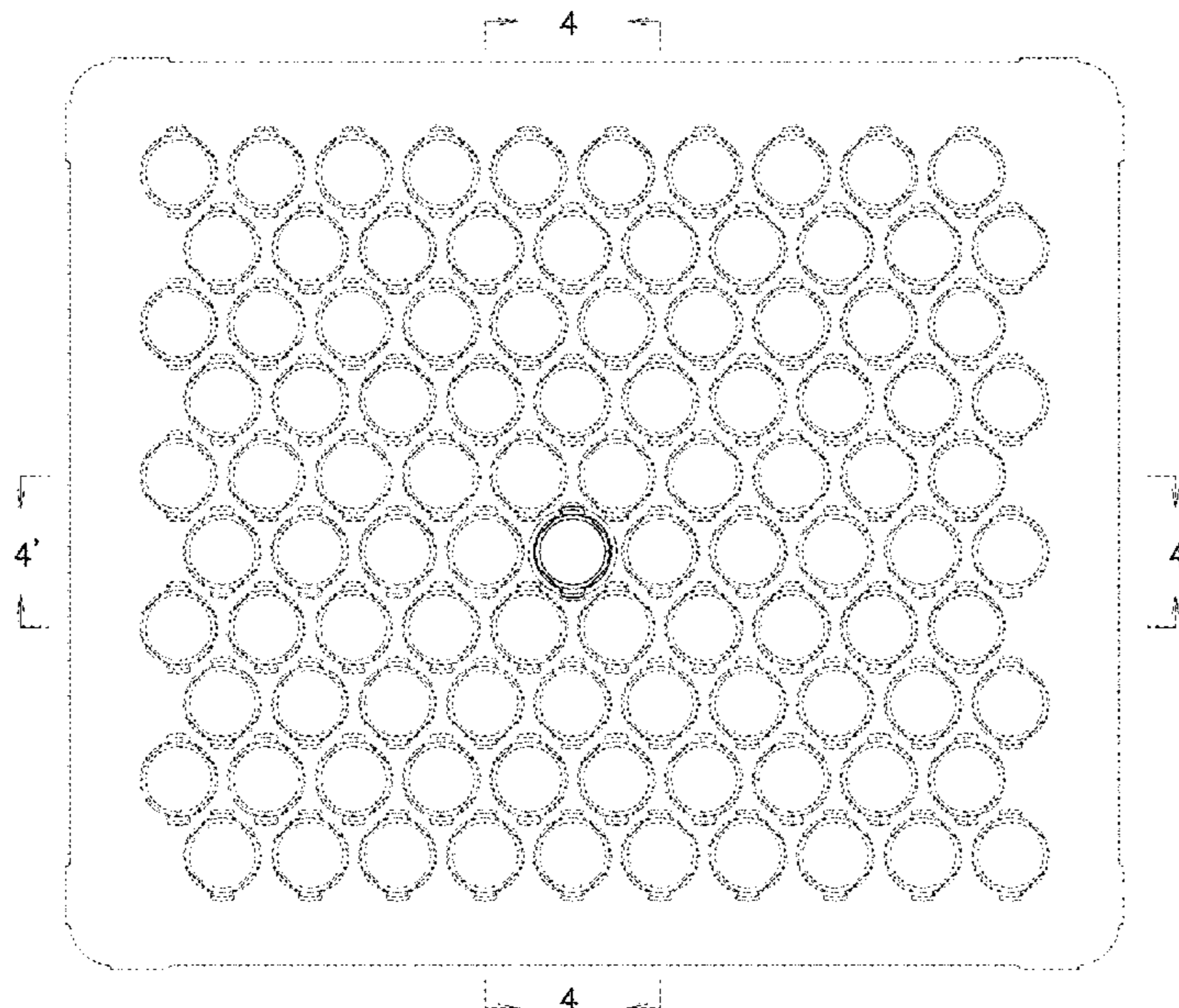
FIG. 12 is a bottom plan view thereof;

FIG. 13 is a right side view thereof; and,

FIG. 14 is a left side view thereof.

The broken lines in the drawing depict parts of the tray for sterilization and freeze-drying of vials that form no part of the claimed design.

1 Claim, 14 Drawing Sheets



(56)

References Cited

U.S. PATENT DOCUMENTS

D684,703 S * 6/2013 Watzele D24/224
D687,161 S * 7/2013 May D24/224
D690,028 S 9/2013 Tsukiji
D701,617 S 3/2014 Tsukiji
8,808,620 B1 * 8/2014 Chu A61L 2/04
422/22
D712,205 S * 9/2014 Yoder D7/600.1
D745,698 S * 12/2015 Hage D24/225
D764,679 S * 8/2016 Franciskovich D24/224
D768,873 S * 10/2016 Stedman D24/227

* cited by examiner

FIG. 1

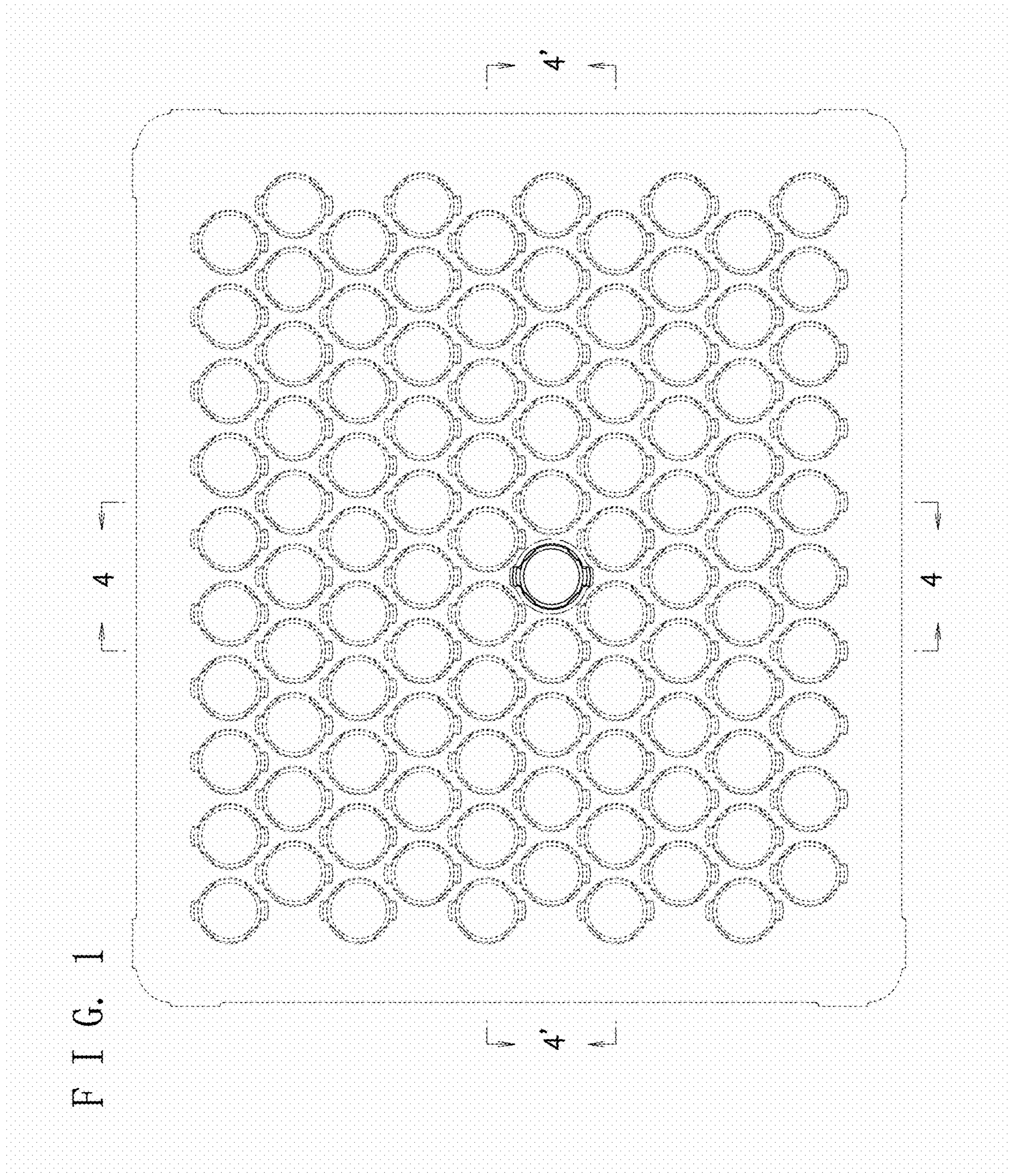
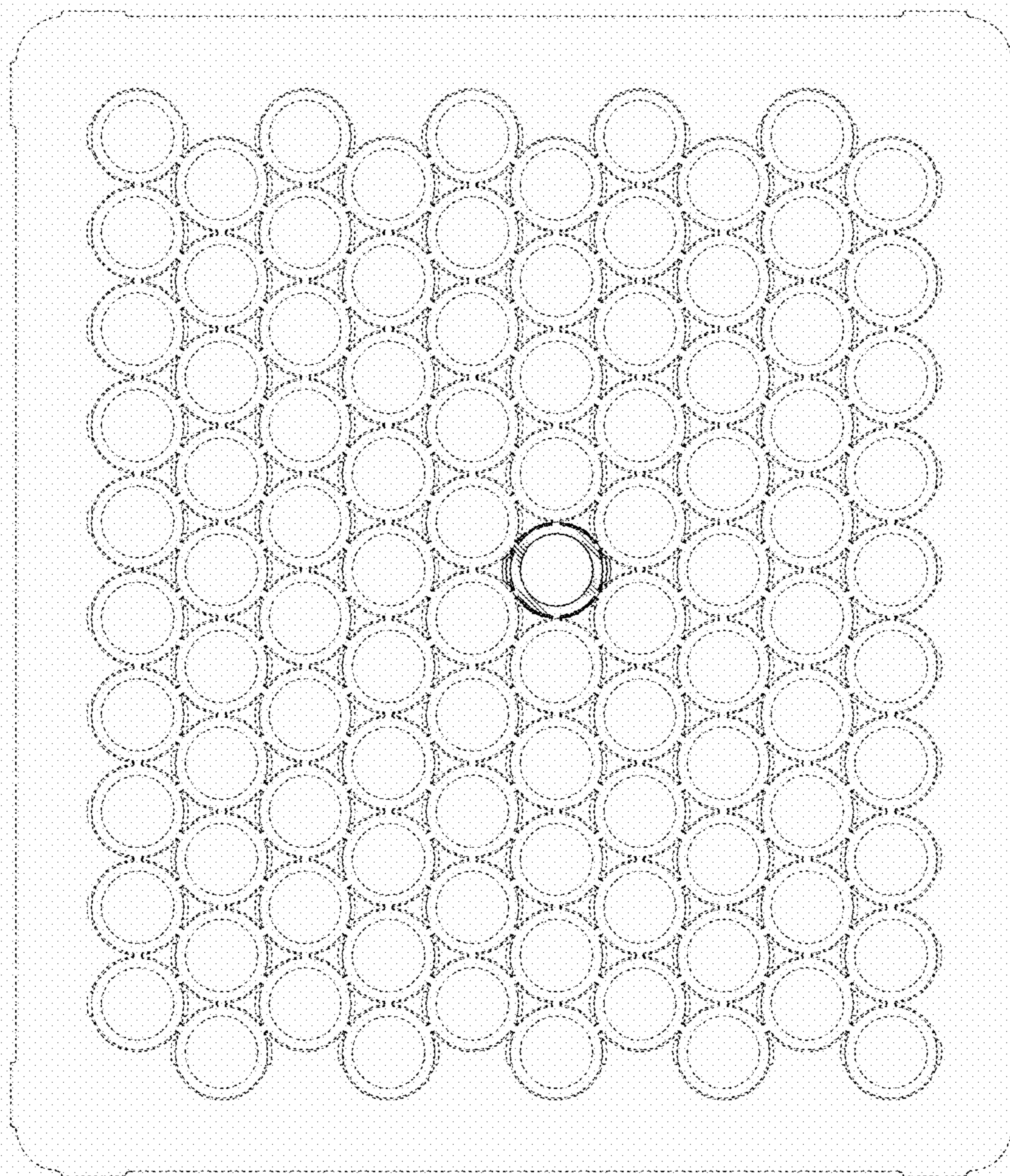


FIG. 2



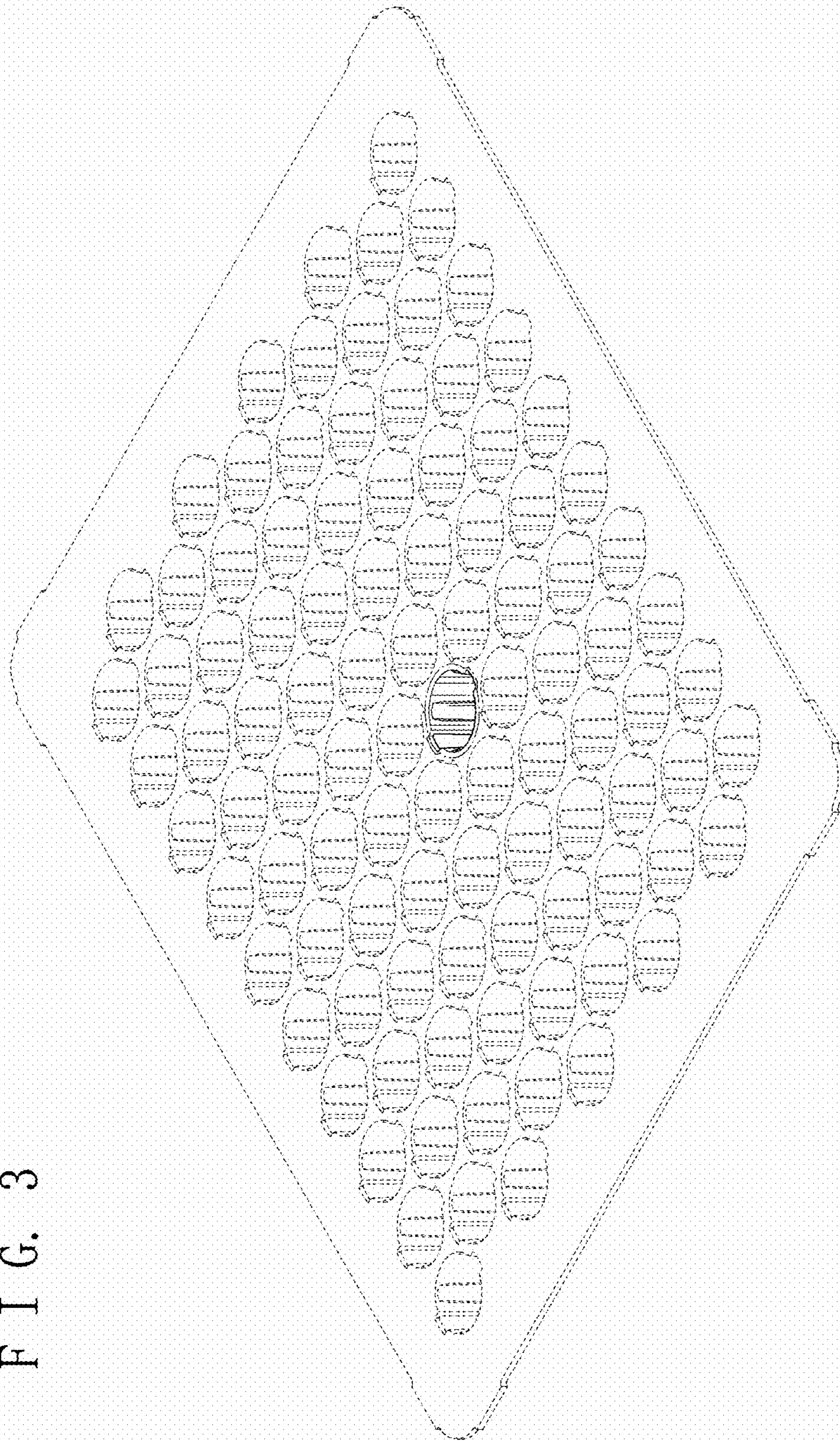


FIG. 3

FIG. 4

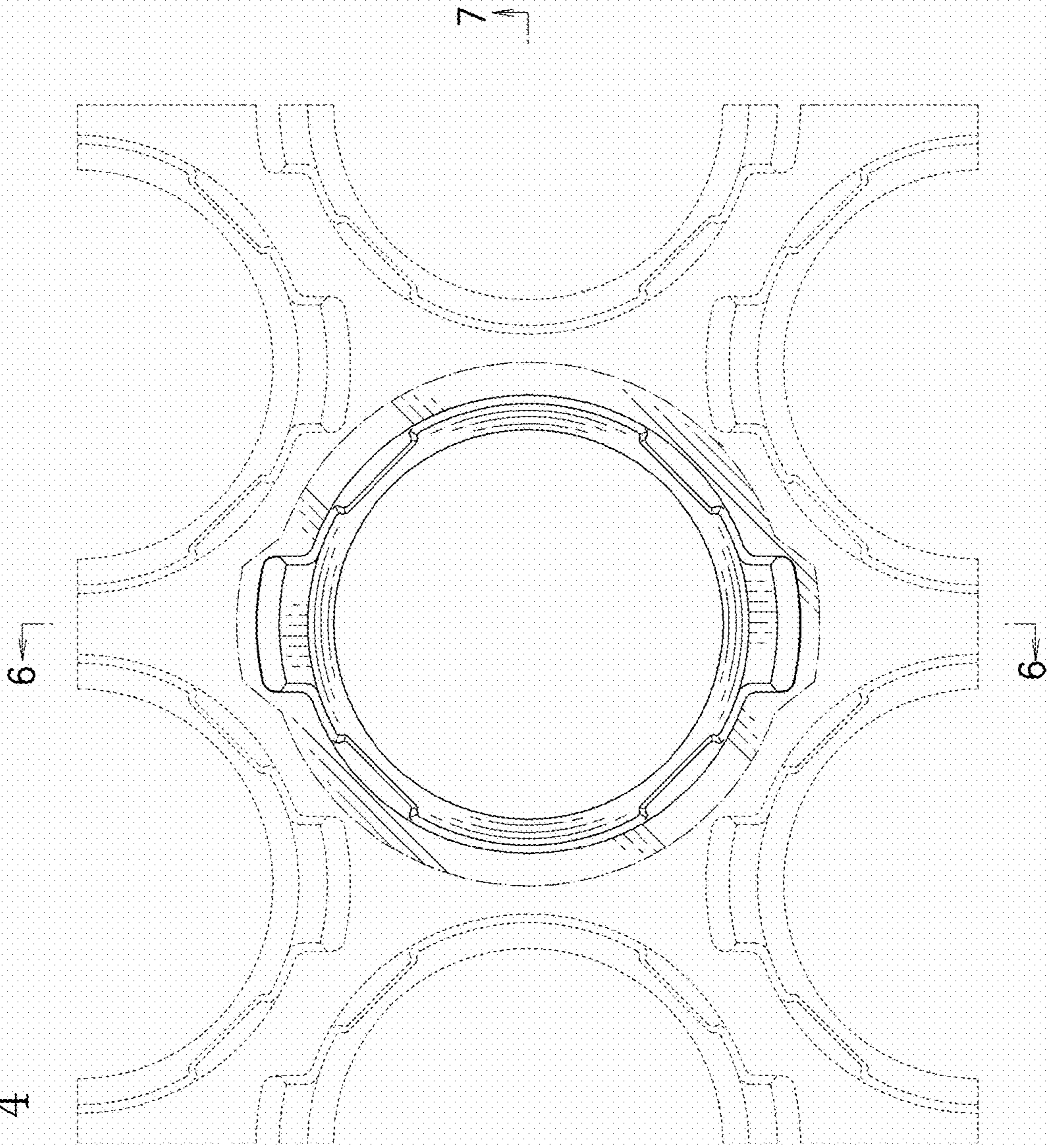


FIG. 5

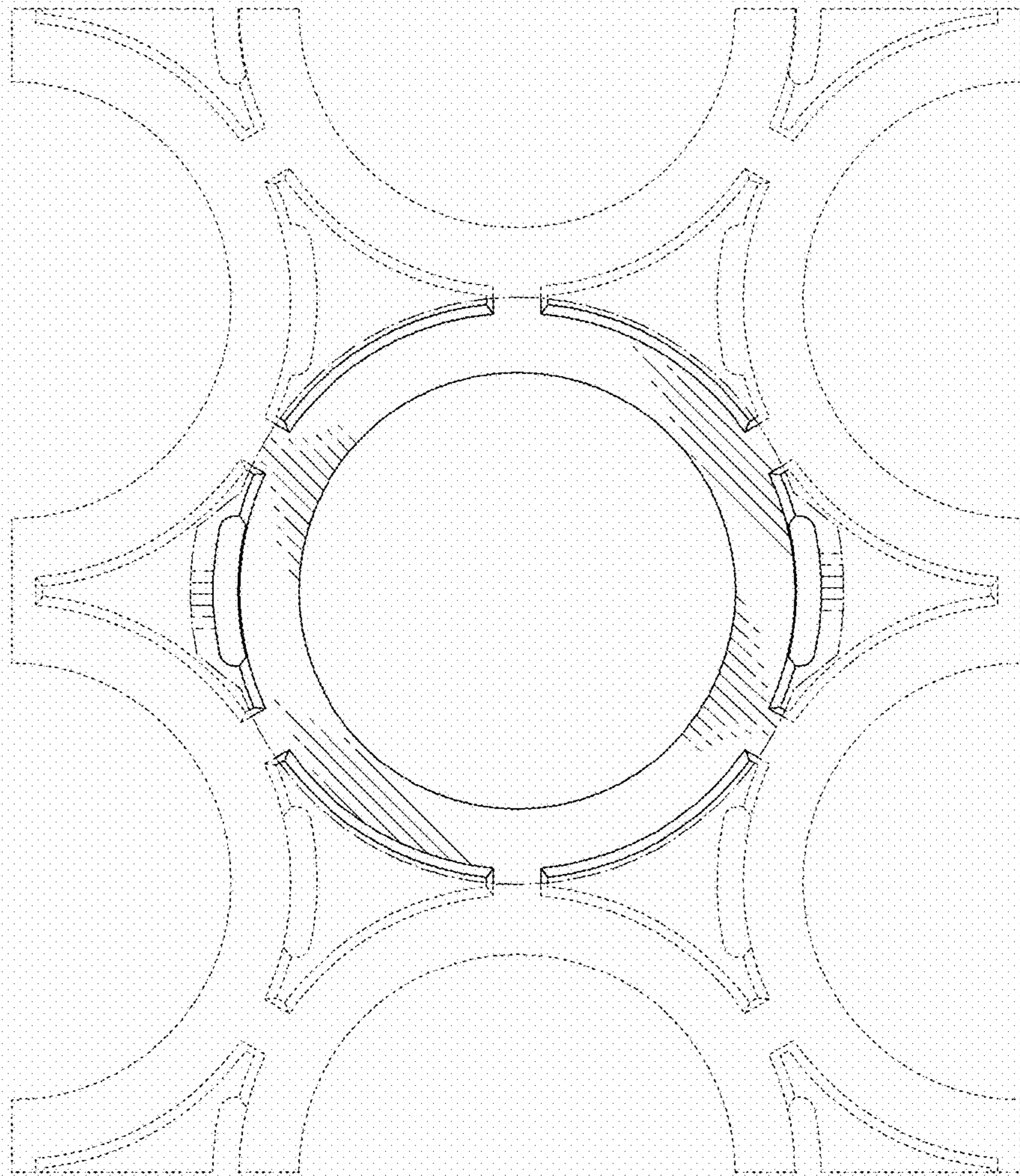
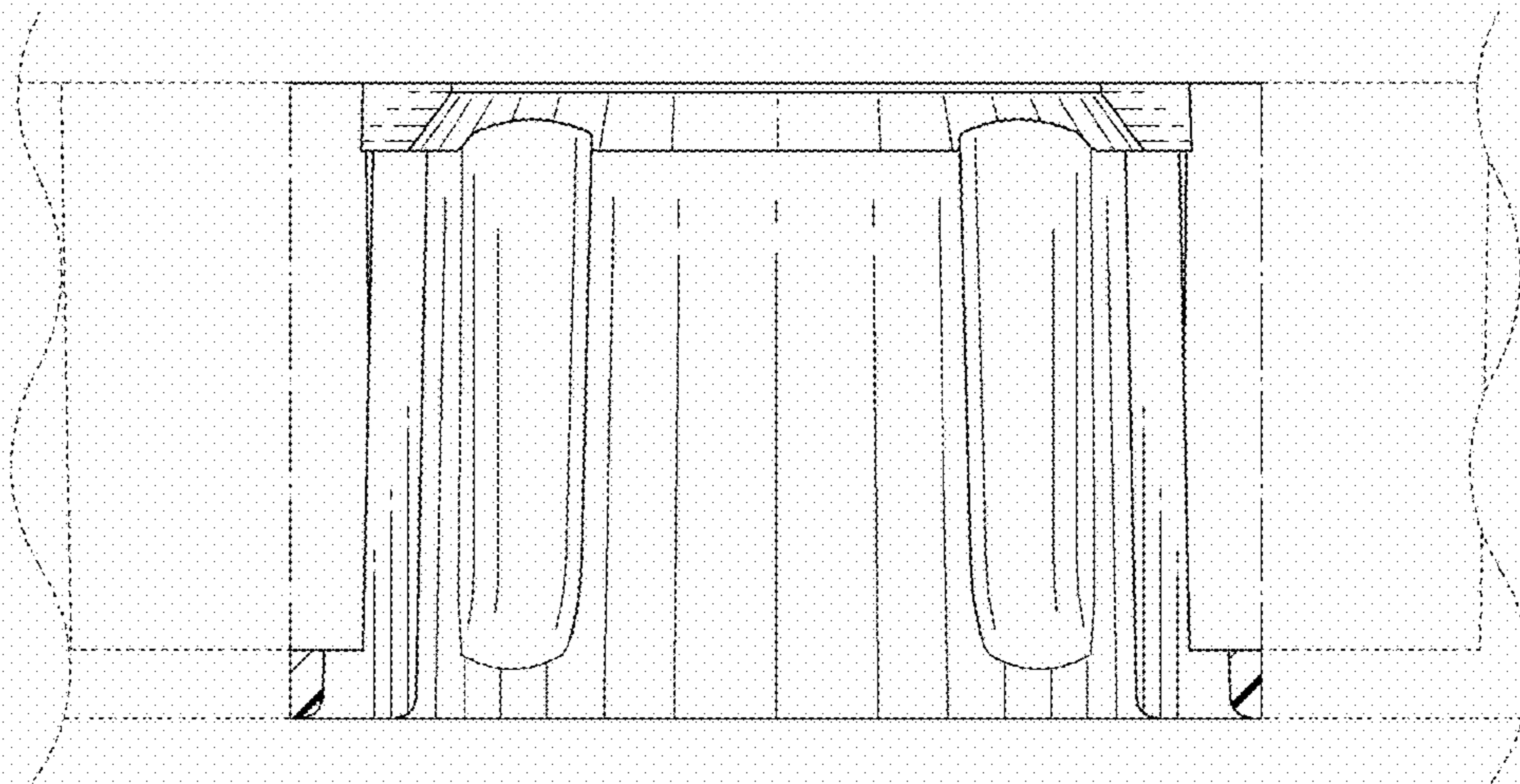
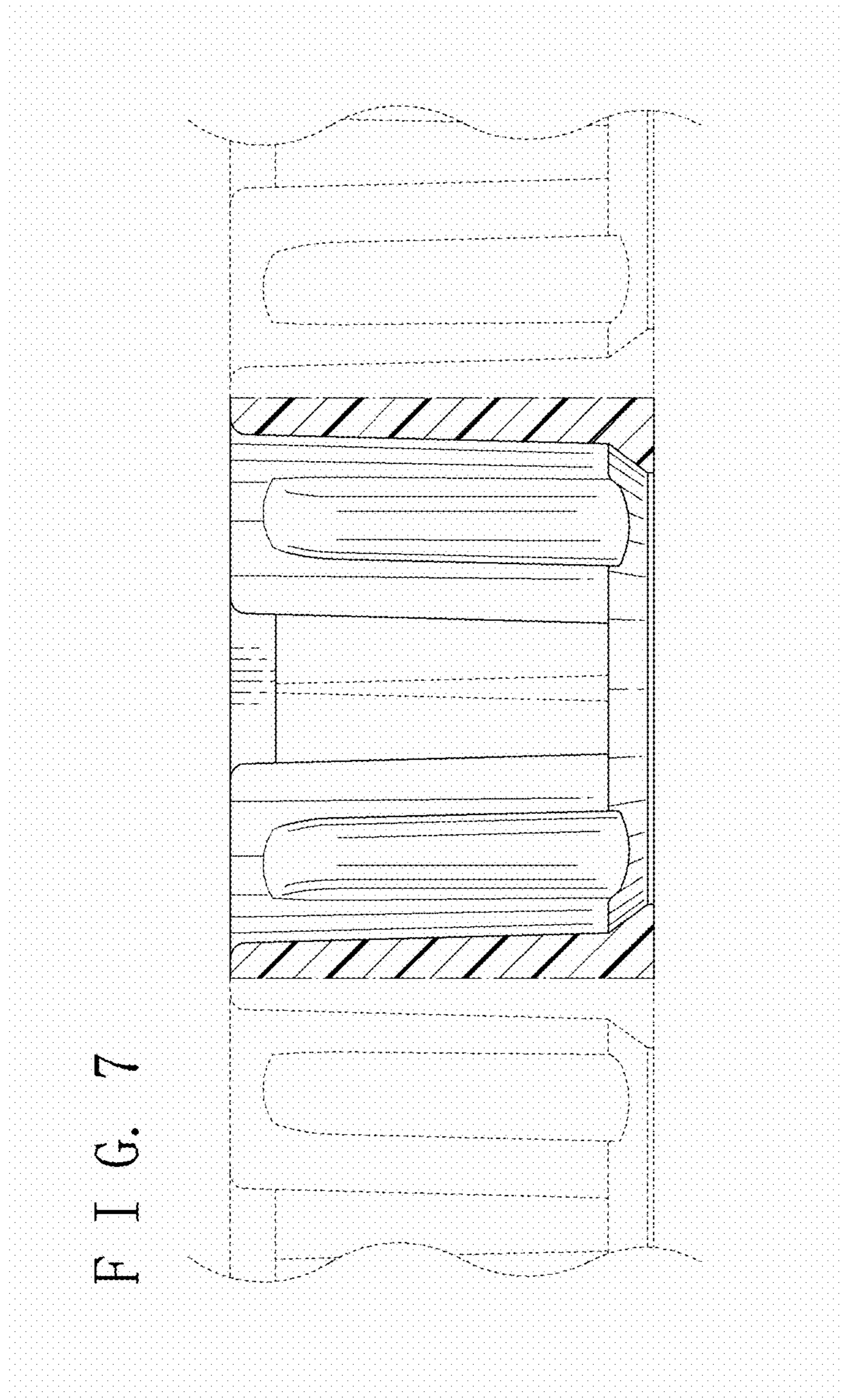
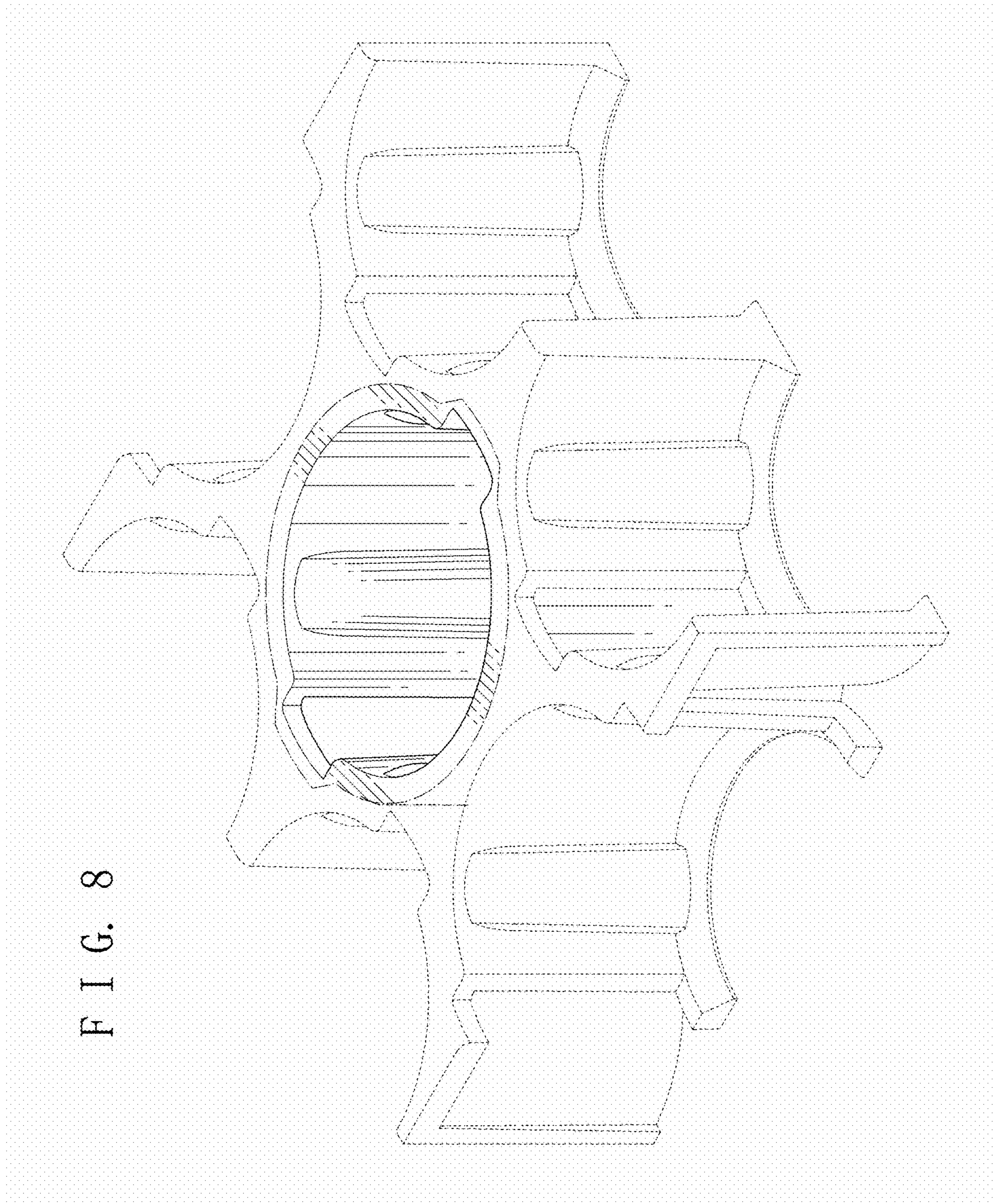


FIG. 6







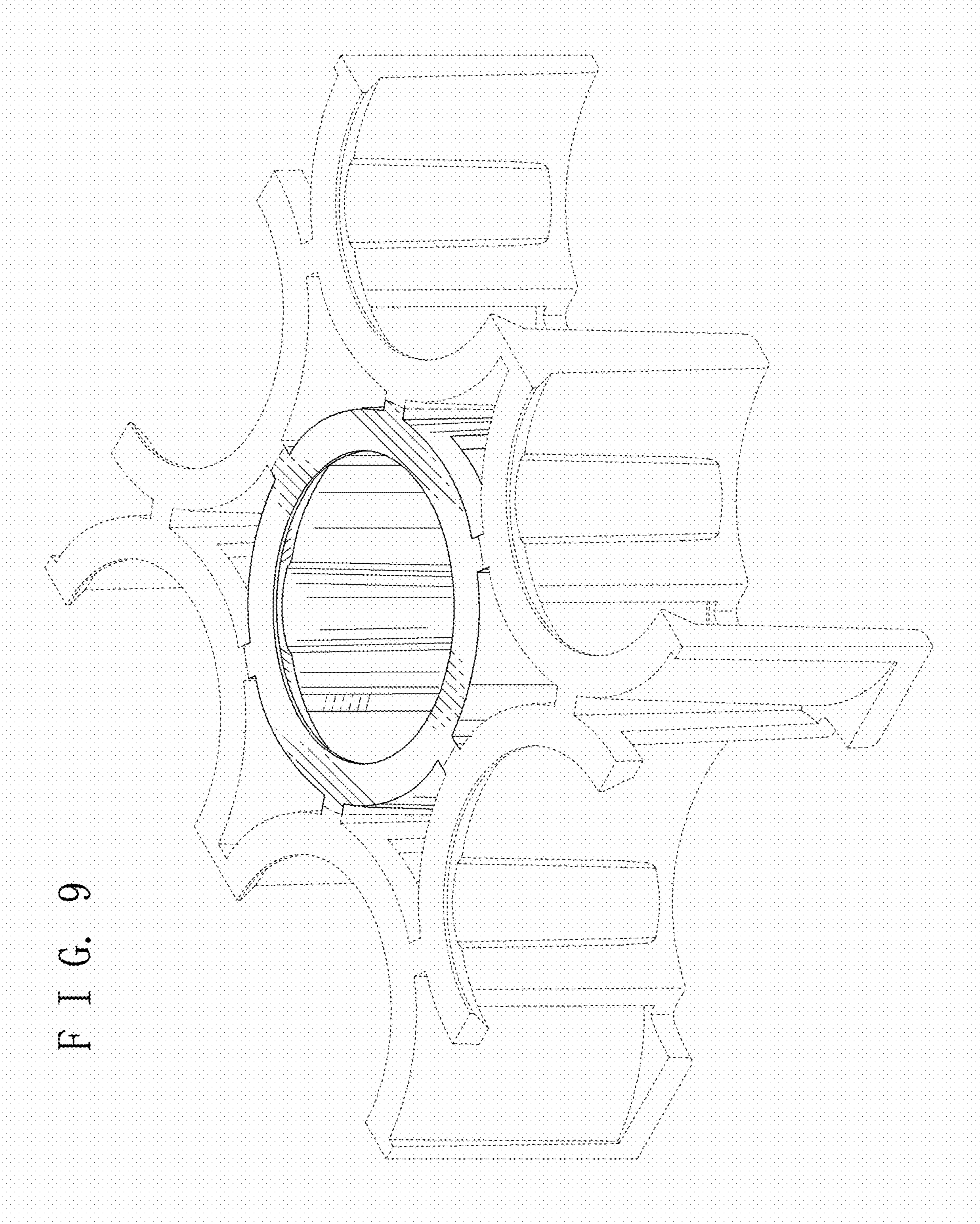


FIG. 9

FIG. 10

