



US00D783176S

(12) **United States Design Patent**
Gavlak et al.

(10) **Patent No.:** **US D783,176 S**

(45) **Date of Patent:** **** Apr. 4, 2017**

(54) **CANISTER ASSEMBLY**

(71) Applicant: **Poseidon Surgical, LLC**, Atlanta, GA (US)

(72) Inventors: **William Gavlak**, Atlanta, GA (US); **Richard Grambergs**, Suwanee, GA (US); **Roland Krevitt**, Scotts Valley, CA (US); **Michael J. Fisher**, Lawrenceville, GA (US); **Michael A. Glatzer**, Atlanta, GA (US)

(73) Assignee: **Poseidon Surgical, LLC**, Atlanta, GA (US)

(**) Term: **15 Years**

(21) Appl. No.: **29/541,872**

(22) Filed: **Oct. 8, 2015**

(51) **LOC (10) Cl.** **24-02**

(52) **U.S. Cl.**

USPC **D24/224**; D24/121

(58) **Field of Classification Search**

USPC D24/216-232, 108, 121; D3/203.1, D3/203.2; D10/81, 78; 229/4.5; D9/429,
(Continued)

(56) **References Cited**

U.S. PATENT DOCUMENTS

D293,536 S * 1/1988 Ritman D7/531

D305,360 S * 1/1990 Fechtner D24/226

(Continued)

Primary Examiner — Ian Simmons

Assistant Examiner — Mark Cavanna

(74) *Attorney, Agent, or Firm* — KPPB LLP

(57) **CLAIM**

The ornamental design for a canister assembly, as shown and described.

DESCRIPTION

FIG. 1 is a top perspective view of an assembled canister assembly consisting of a base portion and a lid portion showing our new design;

FIG. 2 is a bottom perspective view thereof;

FIG. 3 is a front side view thereof;

FIG. 4 is a back side view thereof;

FIG. 5 is a left side view thereof;

FIG. 6 is right side view thereof;

FIG. 7 is a top view thereof; and

FIG. 8 is a bottom view thereof.

FIG. 9 is a top perspective view of the lid portion of the canister assembly seen in FIG. 1 shown separately for clarity of illustration;

FIG. 10 is a bottom perspective view thereof;

FIG. 11 is a front side view thereof;

FIG. 12 is a back side view thereof;

FIG. 13 is a left side view thereof;

FIG. 14 is right side view thereof;

FIG. 15 is a top view thereof; and

FIG. 16 is a bottom view thereof.

FIG. 17 is a top perspective view of the base portion of the canister assembly seen in FIG. 1 shown separately for clarity of illustration;

FIG. 18 is a bottom perspective view thereof;

FIG. 19 is a front side view thereof;

FIG. 20 is a back side view thereof;

FIG. 21 is a left side view thereof;

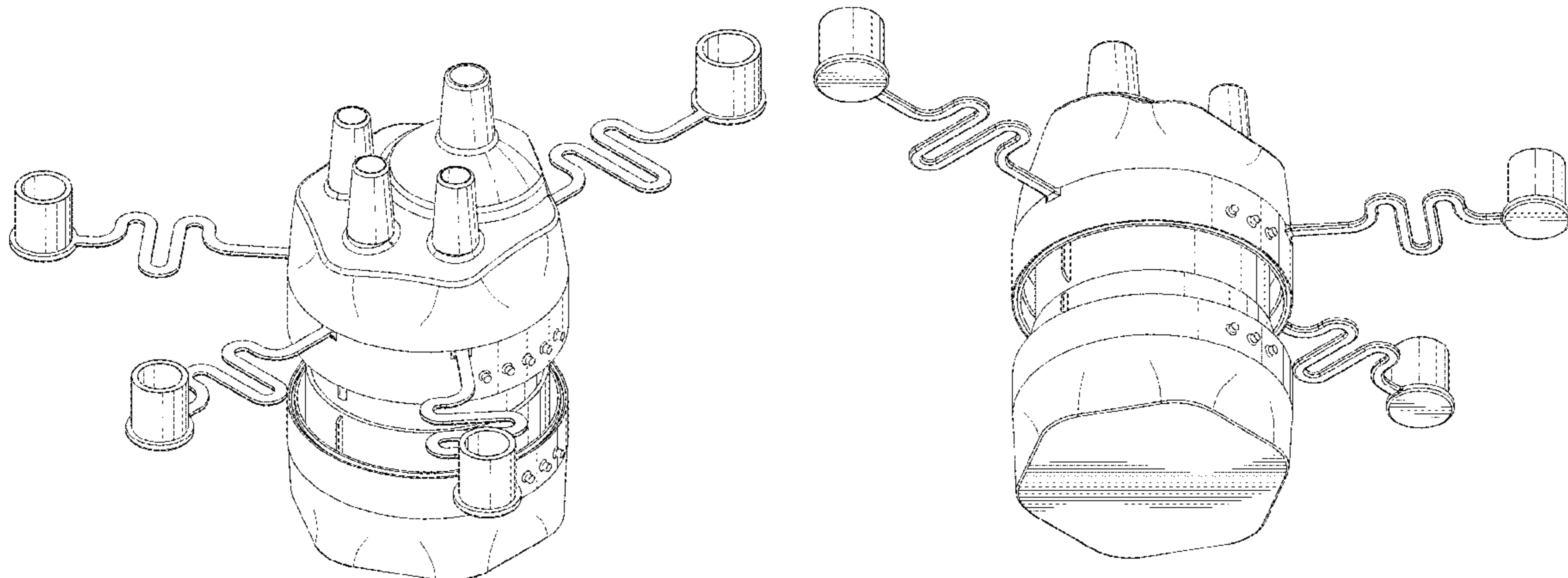
FIG. 22 is right side view thereof;

FIG. 23 is a top view thereof; and

FIG. 24 is a bottom view thereof.

The inner portions of the lid of the canister assembly seen in FIGS. 10 and 16 shown in broken lines form no part of the claimed design.

1 Claim, 18 Drawing Sheets



(58) **Field of Classification Search**

USPC D9/504, 516, 529, 520–521, 544–446,
 D9/539, 502, 556, 558; 422/500, 547,
 422/554, 556, 528, 501, 1, 400; 604/320,
 604/317–319; 215/224, 305, 306, 365,
 215/230, 204; 435/288.1, 288.2, 304.1,
 435/304.2, 287.7, 302.1; 220/259.2,
 220/560.04; 210/198.2; D7/532, 300.1,
 D7/523, 509, 543, 565, 745, 784, 590,
 D7/629
 CPC .. A61M 5/1785; A61M 1/0001; A61M 5/002;
 A61M 1/0017; A61M 1/0056; B65B
 31/00; B01L 3/50825; B01L 3/0275;
 B01L 3/08; B01L 3/502738; B65D 3/22;
 B65D 50/061; B65D 51/243; A61L 2/04;
 A61B 50/36; B01J 19/0093; A45D
 40/221

See application file for complete search history.

(56) **References Cited**

U.S. PATENT DOCUMENTS

D351,904 S * 10/1994 Maze D24/224
 D355,260 S * 2/1995 Tomasso D24/224
 D370,263 S * 5/1996 Falkenberg D24/108
 D400,263 S * 10/1998 Shugart D24/224
 6,387,256 B1 * 5/2002 Tuvim B01D 15/22
 210/198.2
 D461,684 S * 8/2002 Wilson D7/523
 D483,613 S * 12/2003 Gluck D7/509
 D485,365 S * 1/2004 Py D24/121
 D500,856 S * 1/2005 Hellstrom D10/81
 D505,494 S * 5/2005 Py D24/121
 D522,145 S * 5/2006 Best D10/81
 D543,787 S * 6/2007 Wasserman D7/565
 D552,423 S * 10/2007 Friedland D7/543
 D561,907 S * 2/2008 Py D24/224
 D561,908 S * 2/2008 Py D24/224

D569,008 S * 5/2008 Lundqvist D24/232
 D578,829 S * 10/2008 Freeman D7/584
 D578,879 S * 10/2008 Friedland D7/545
 D601,912 S * 10/2009 Gebauer D10/81
 7,615,037 B2 * 11/2009 Murray A61B 50/36
 604/317
 D607,118 S * 12/2009 Py D24/224
 7,806,879 B2 * 10/2010 Brooks A61M 1/0017
 604/318
 D630,765 S * 1/2011 Winkenbach D24/224
 D632,801 S * 2/2011 Kyle D24/219
 D641,866 S * 7/2011 Burgess D24/121
 D642,260 S * 7/2011 Hendricks D24/121
 8,100,874 B1 * 1/2012 Jordan A61M 1/0056
 604/319
 D656,622 S * 3/2012 Gasser D24/224
 D665,283 S * 8/2012 Nishimoto D10/81
 D673,814 S * 1/2013 Honein D7/590
 D678,502 S * 3/2013 Schmidt D24/108
 D678,544 S * 3/2013 Mueller D24/216
 D679,148 S * 4/2013 Schwartz D7/629
 D679,807 S * 4/2013 Burgess D24/121
 D687,304 S * 8/2013 Tanner D24/121
 8,518,002 B2 8/2013 Murray et al.
 D690,826 S * 10/2013 Kuroda D24/224
 D695,416 S * 12/2013 Saliaris D24/224
 D697,301 S * 1/2014 Barbour, Jr. D3/203.1
 D702,474 S * 4/2014 Scherer D7/300.1
 D720,468 S * 12/2014 Calderwood D24/224
 8,915,897 B2 12/2014 Murray
 D726,476 S * 4/2015 Ercanbrack D9/523
 D731,672 S * 6/2015 Kuroda D24/224
 D735,880 S * 8/2015 Bargh D24/224
 D748,776 S * 2/2016 Brannon D24/121
 D748,813 S * 2/2016 Ishiguro D24/224
 9,322,748 B1 * 4/2016 Kimsey, II A61M 1/0007
 D771,832 S * 11/2016 Yeager D24/224
 2003/0008389 A1 * 1/2003 Carll B01F 11/0082
 435/302.1
 2008/0015526 A1 * 1/2008 Reiner A61M 1/0001
 604/320

* cited by examiner

FIG. 1

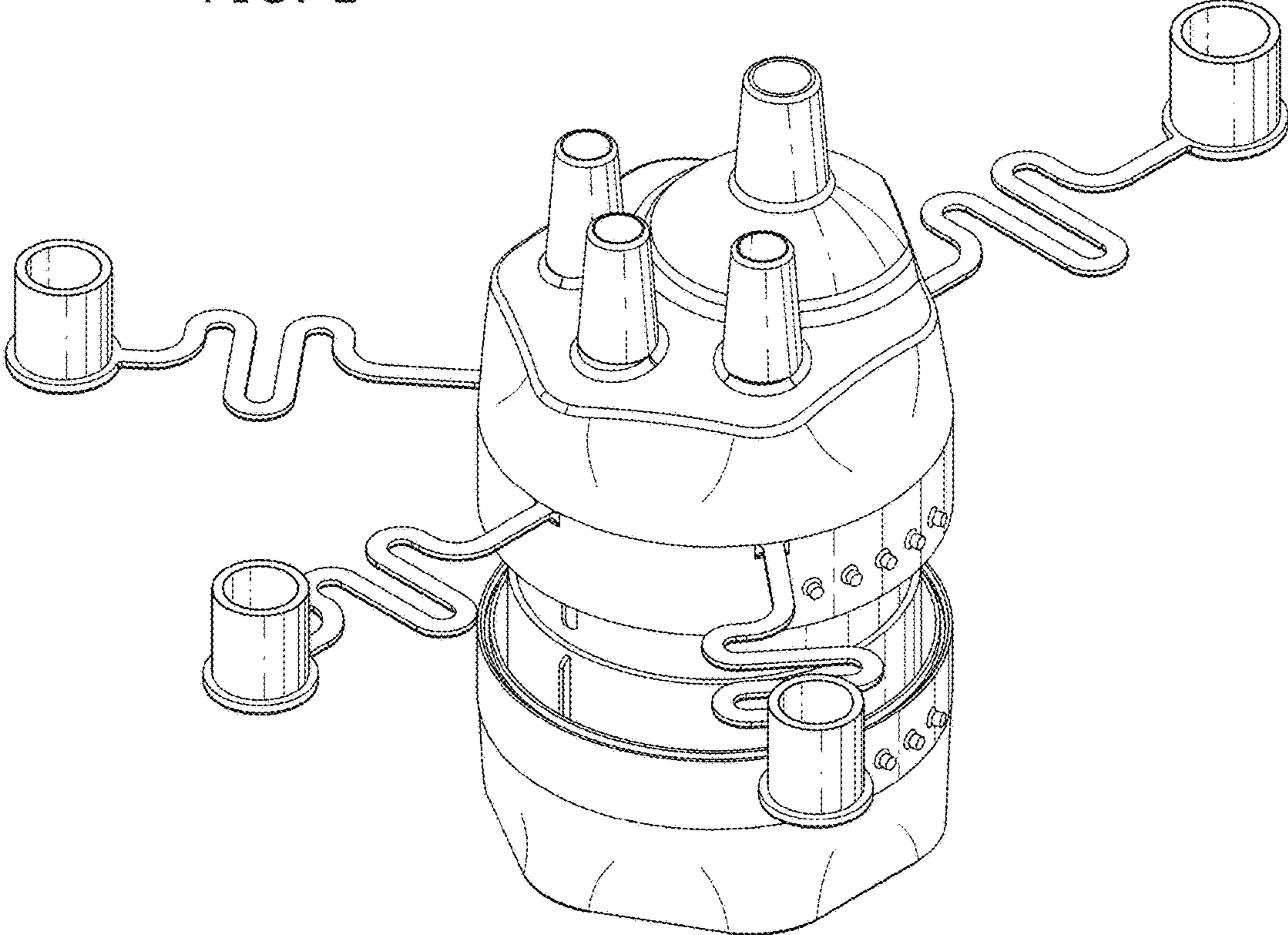
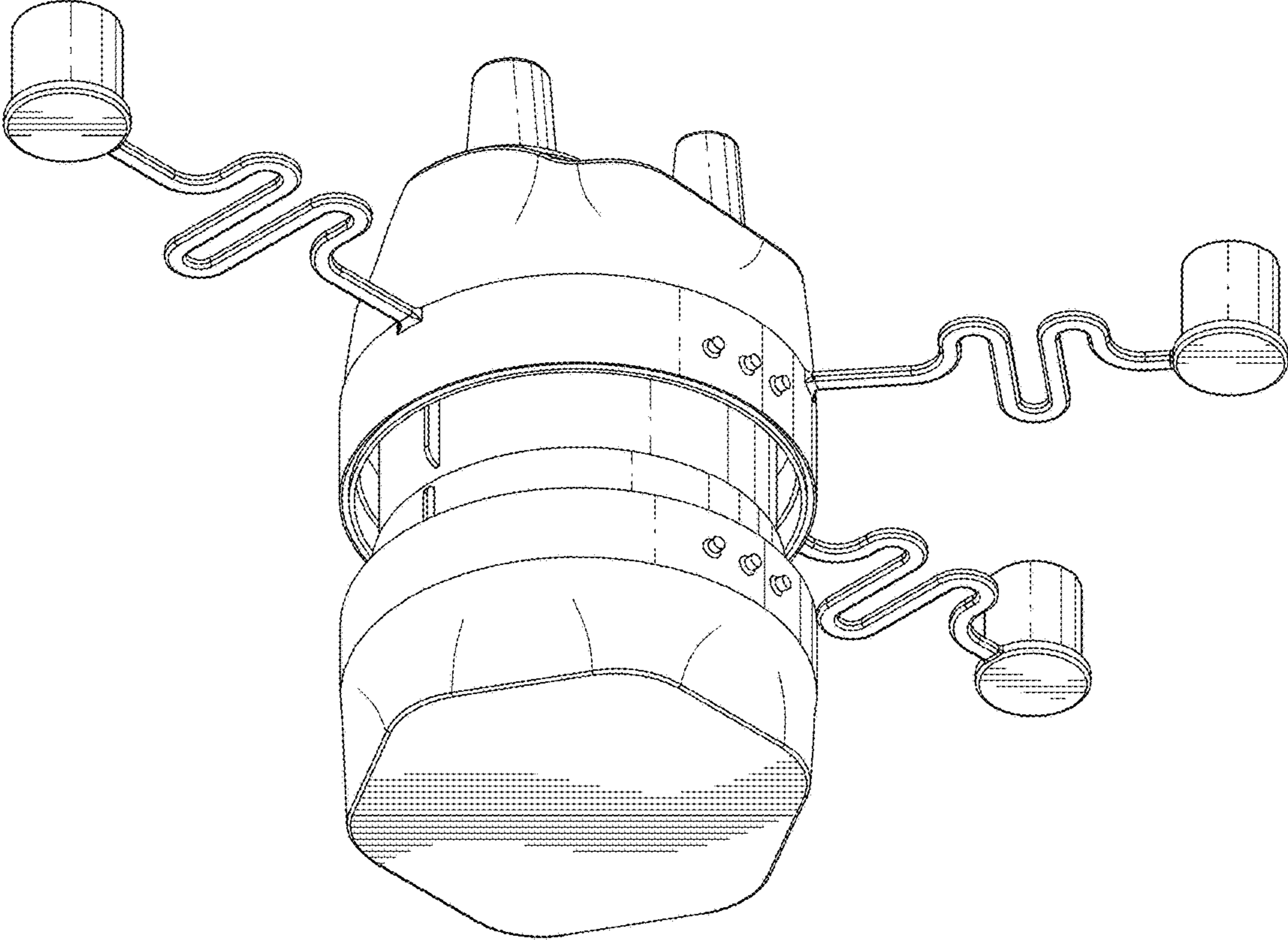
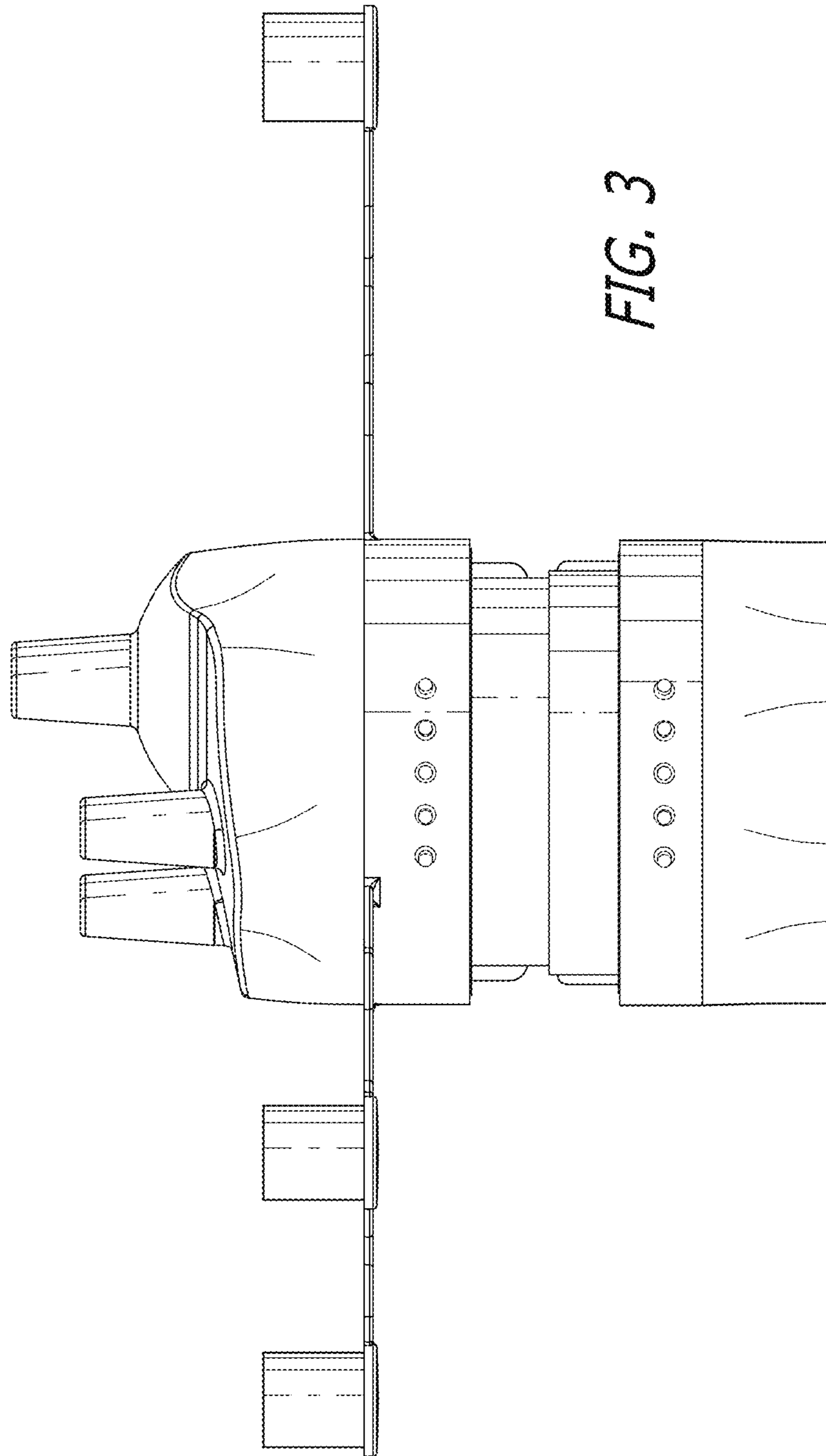


FIG. 2





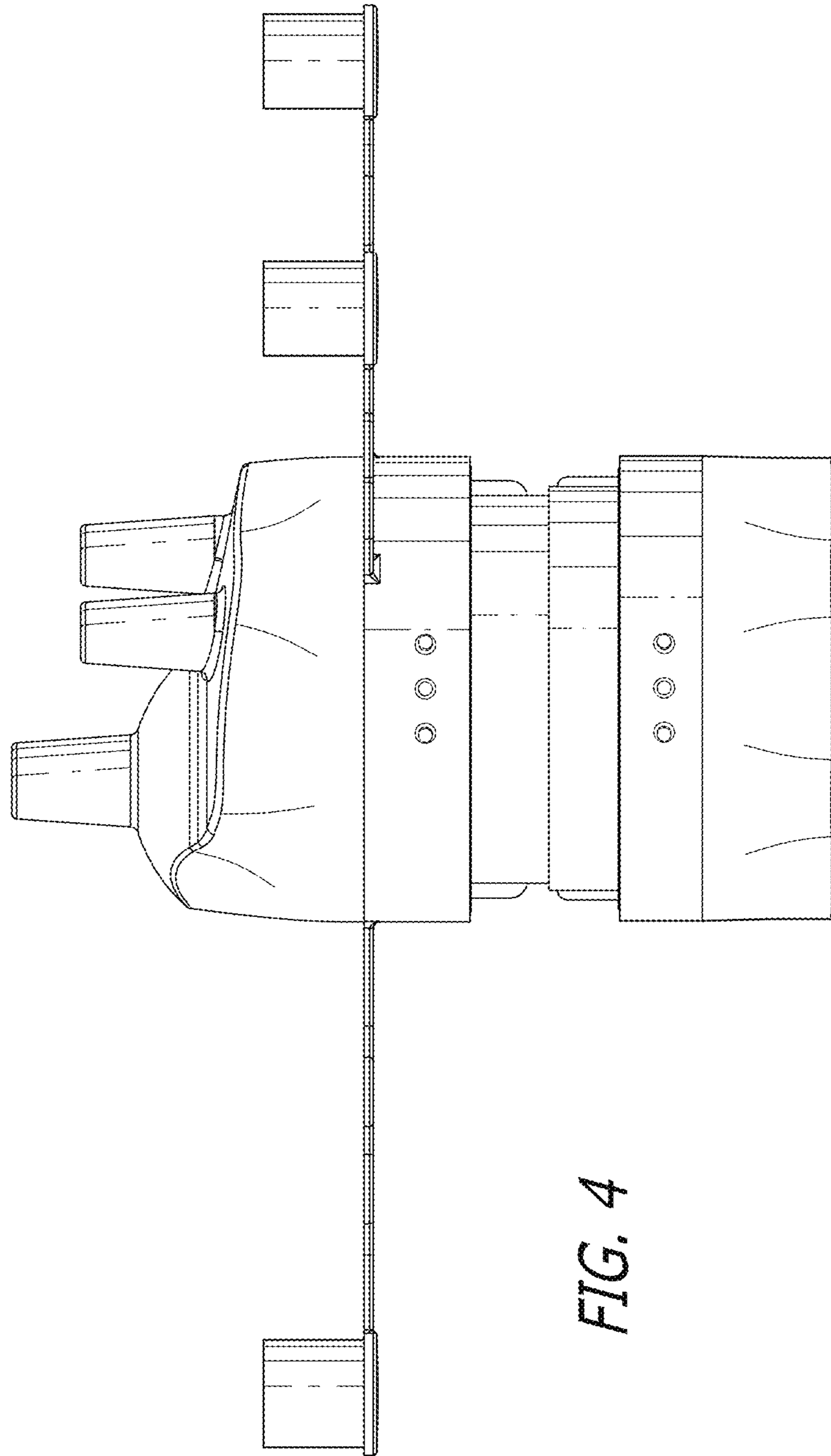


FIG. 4

FIG. 5

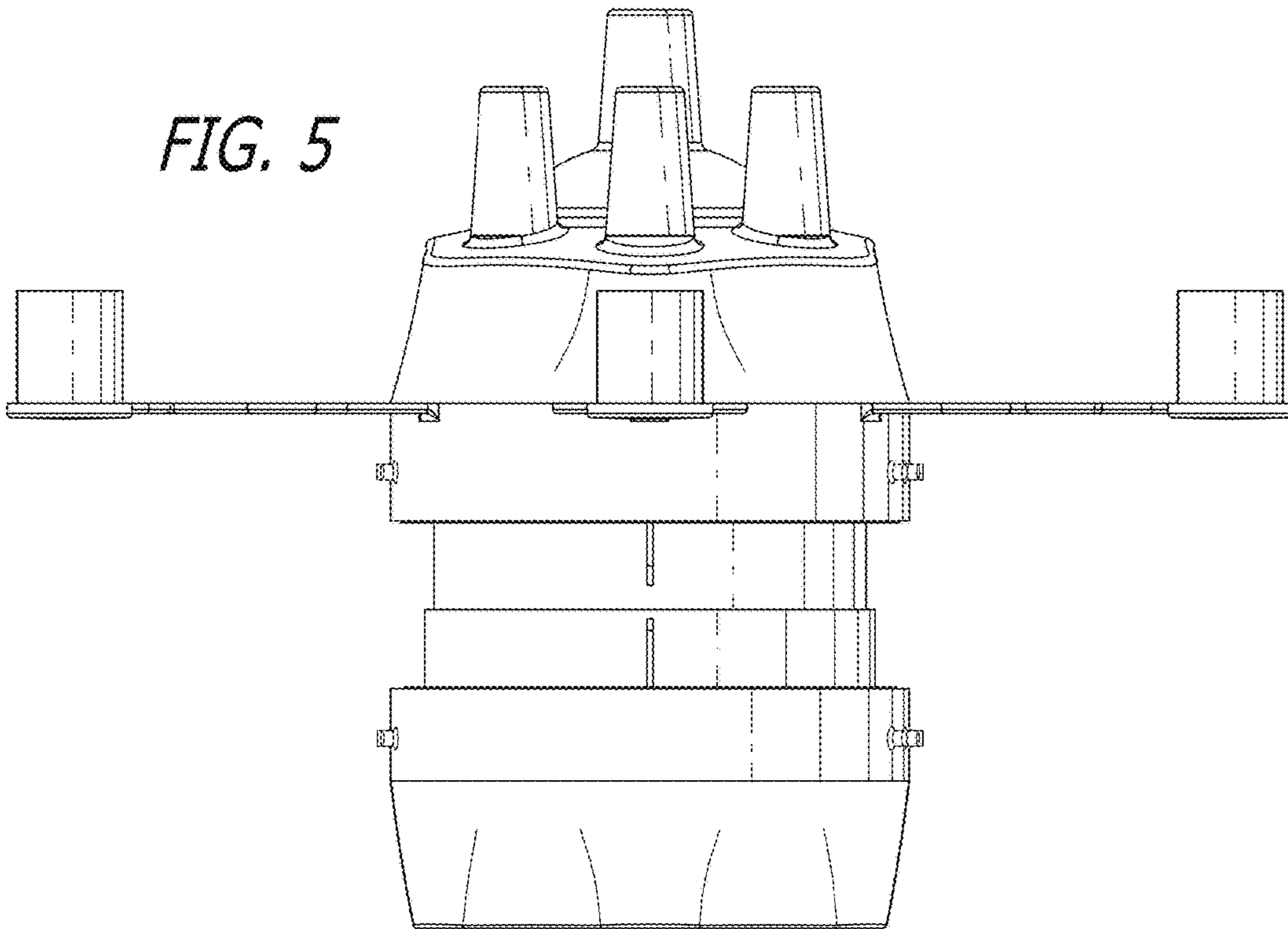
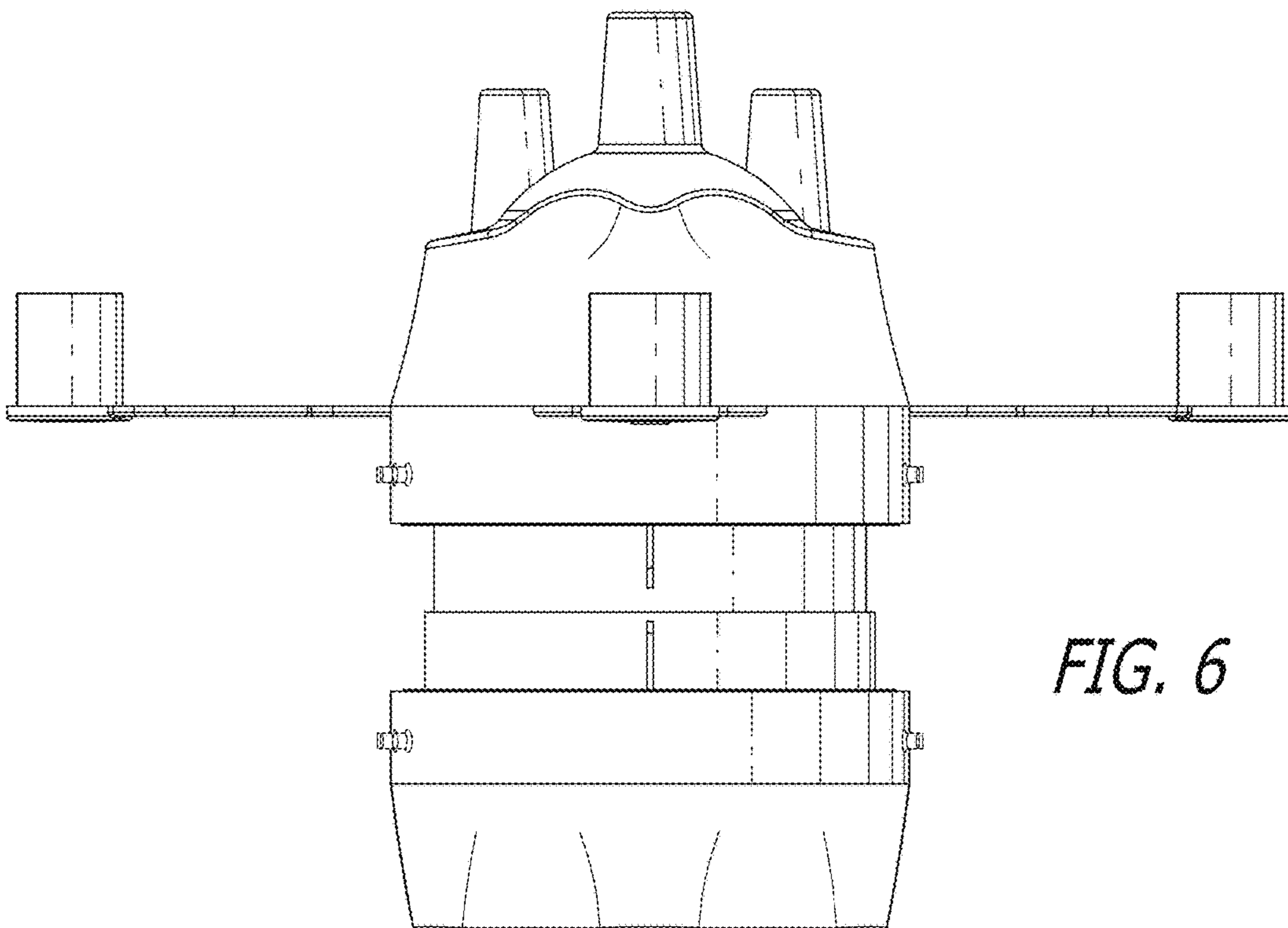


FIG. 6



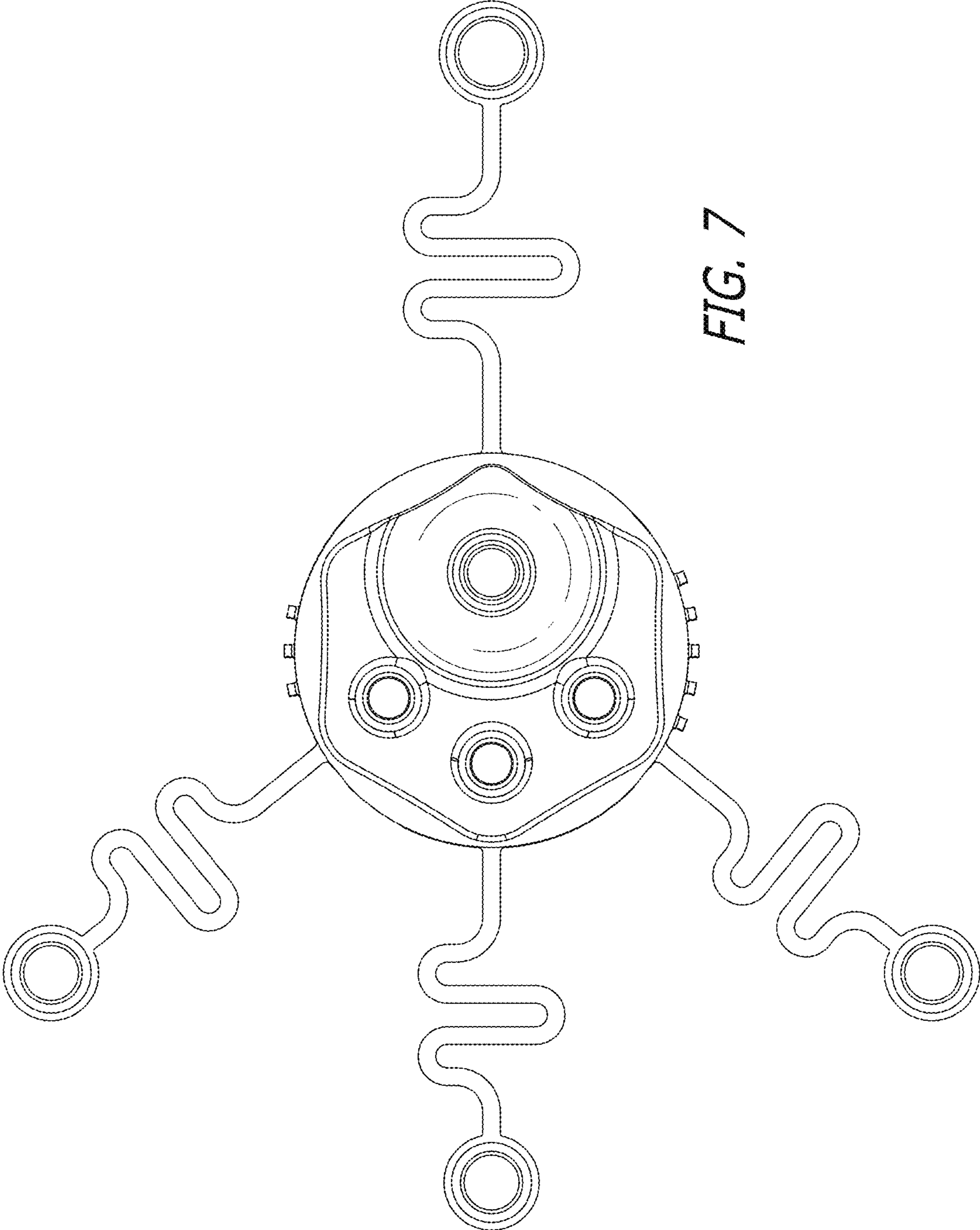


FIG. 7

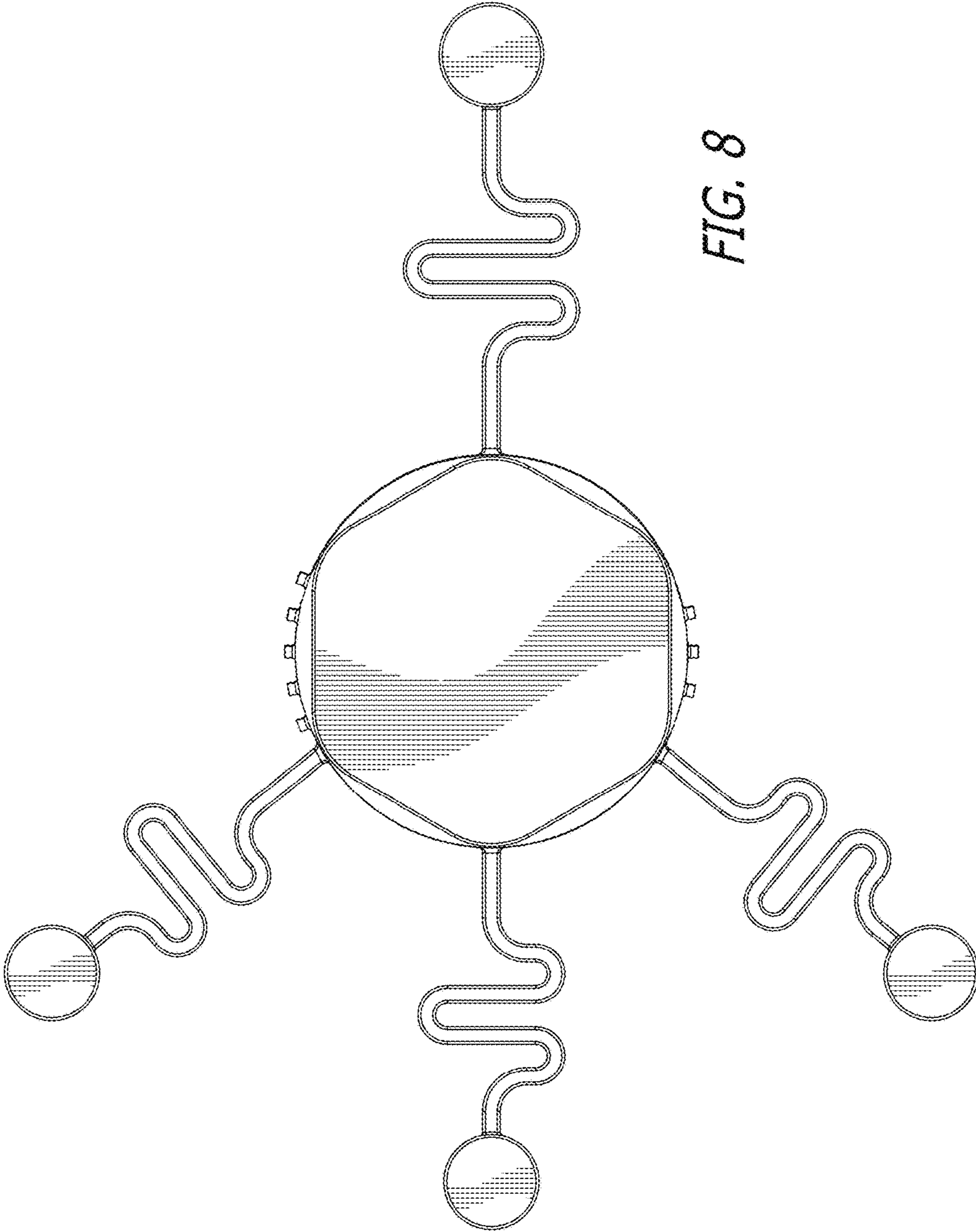
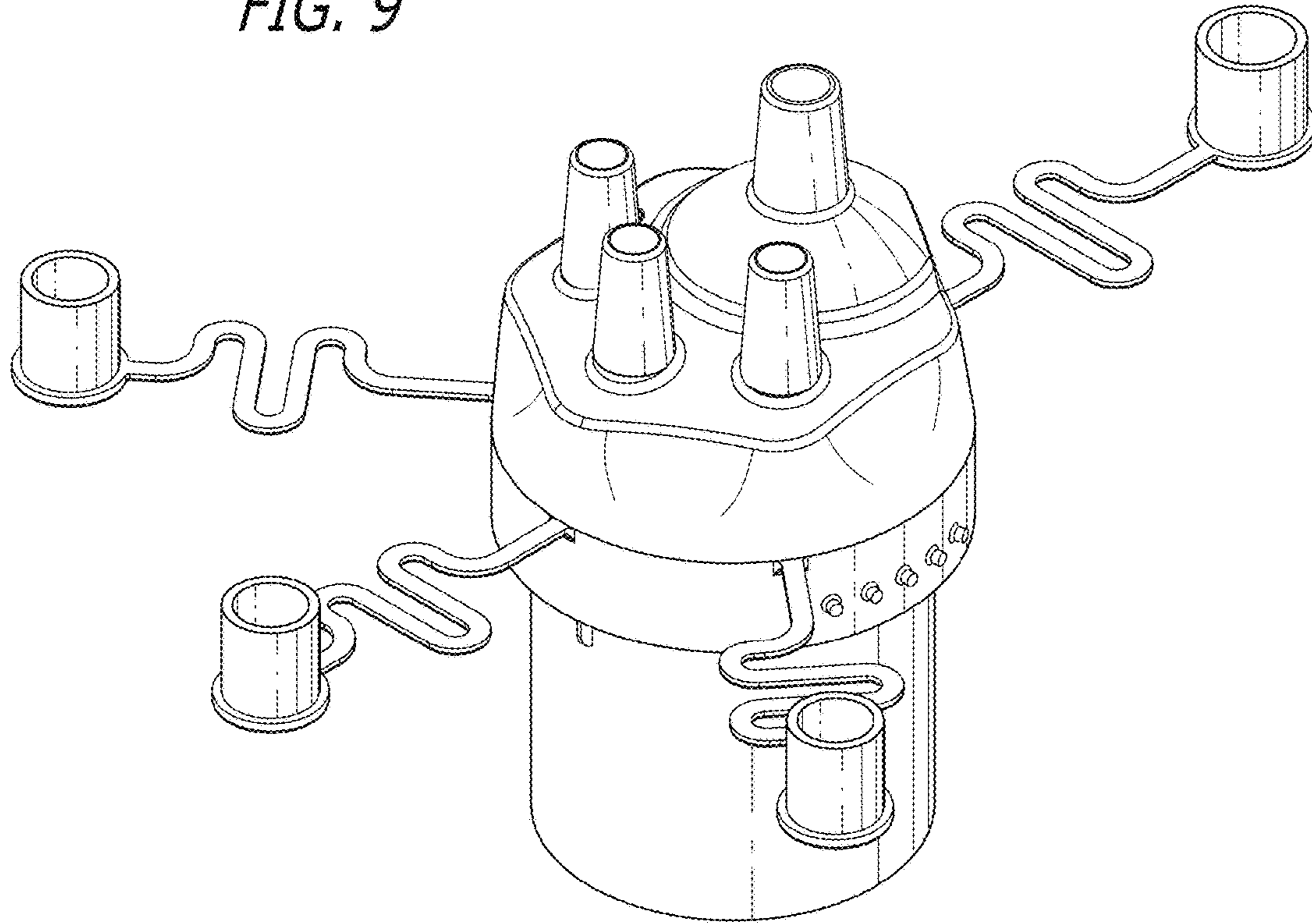


FIG. 8

FIG. 9



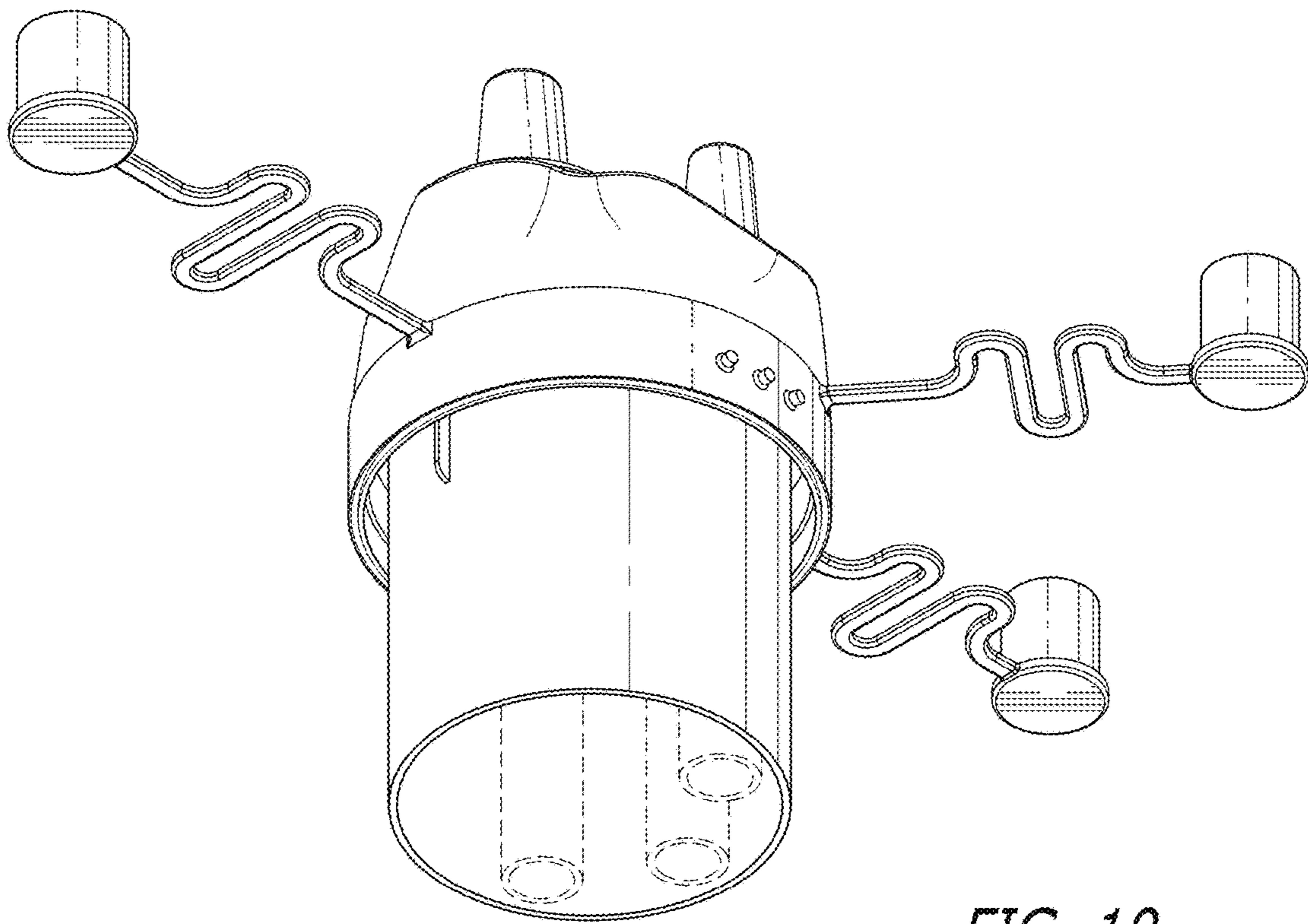
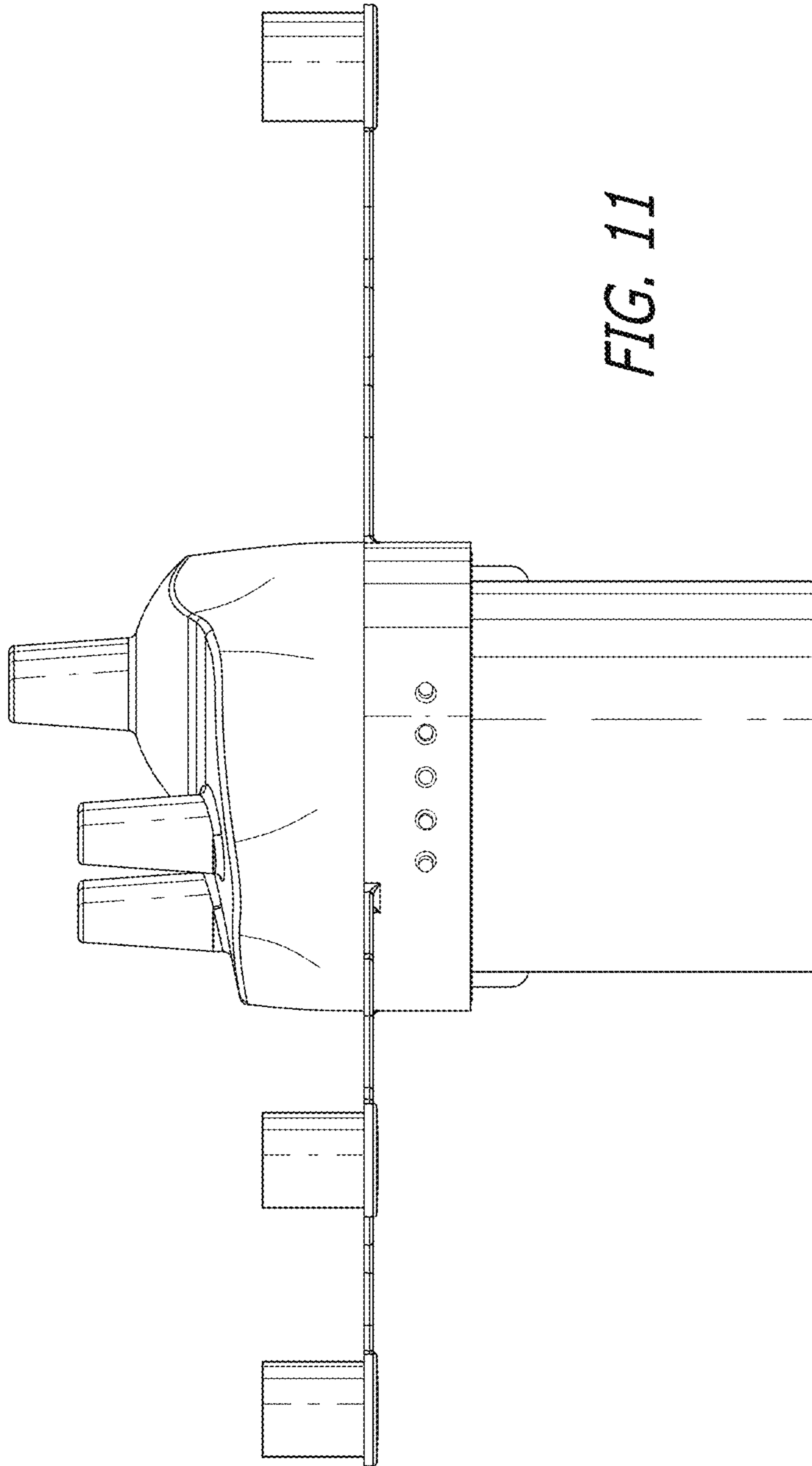


FIG. 10



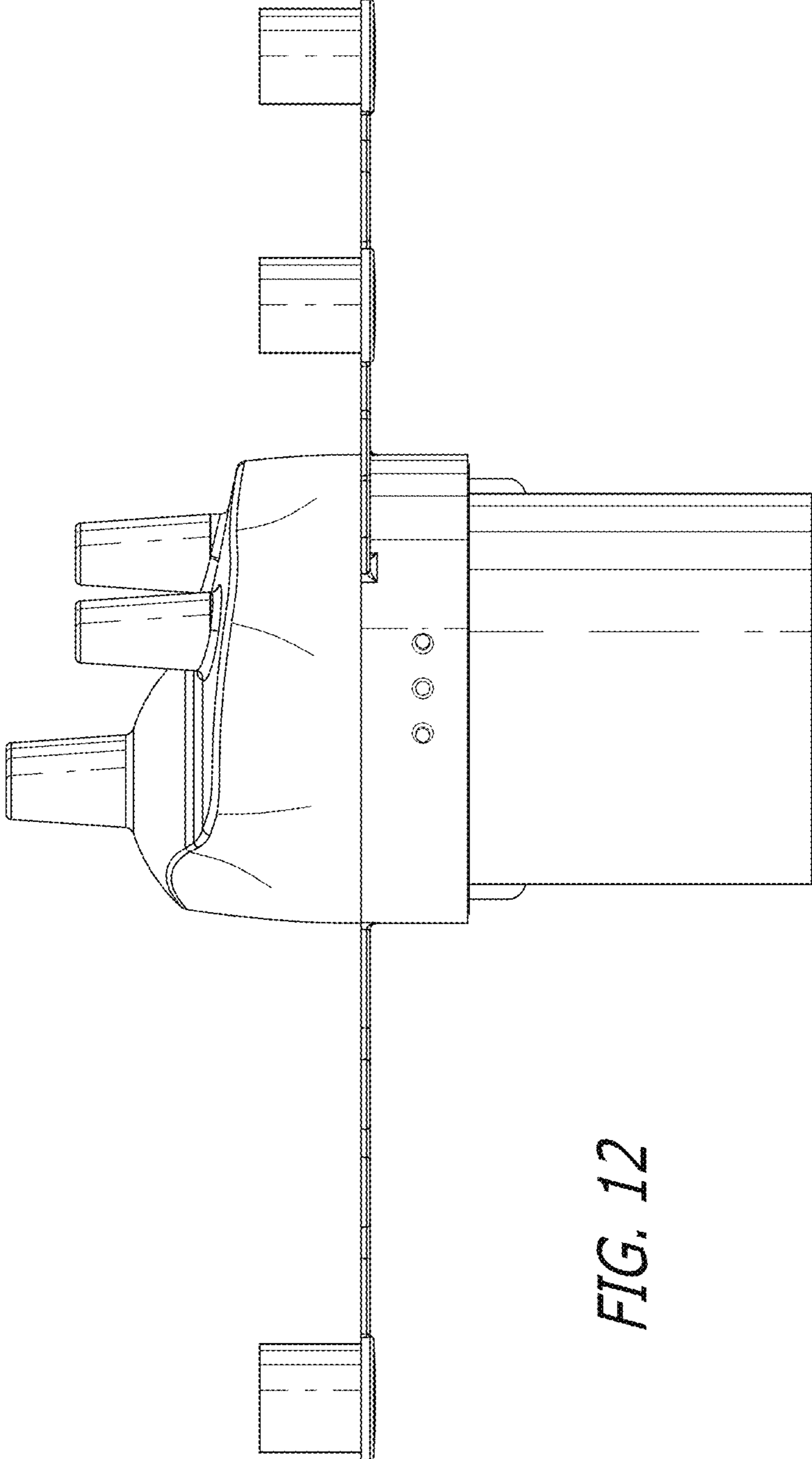
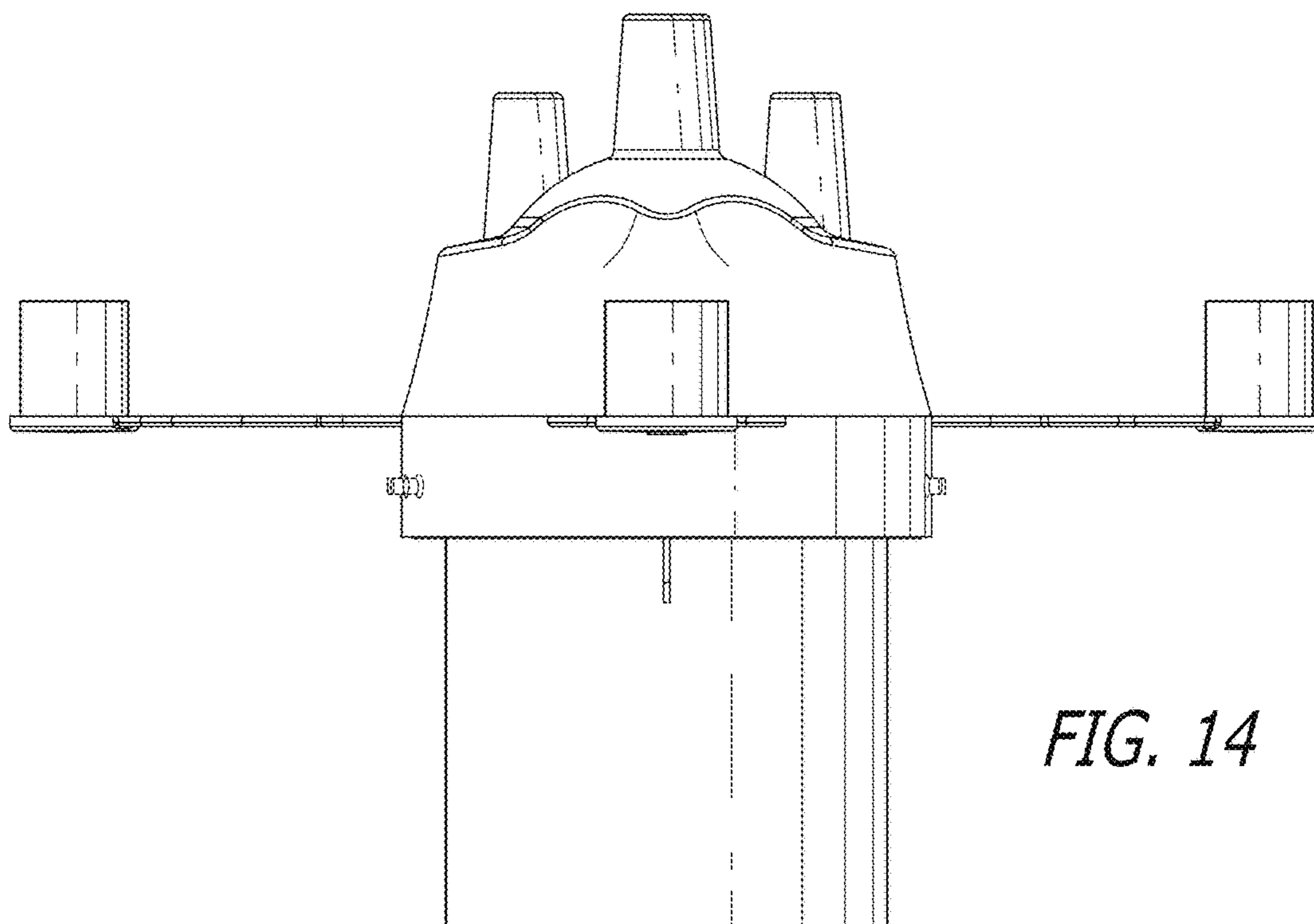
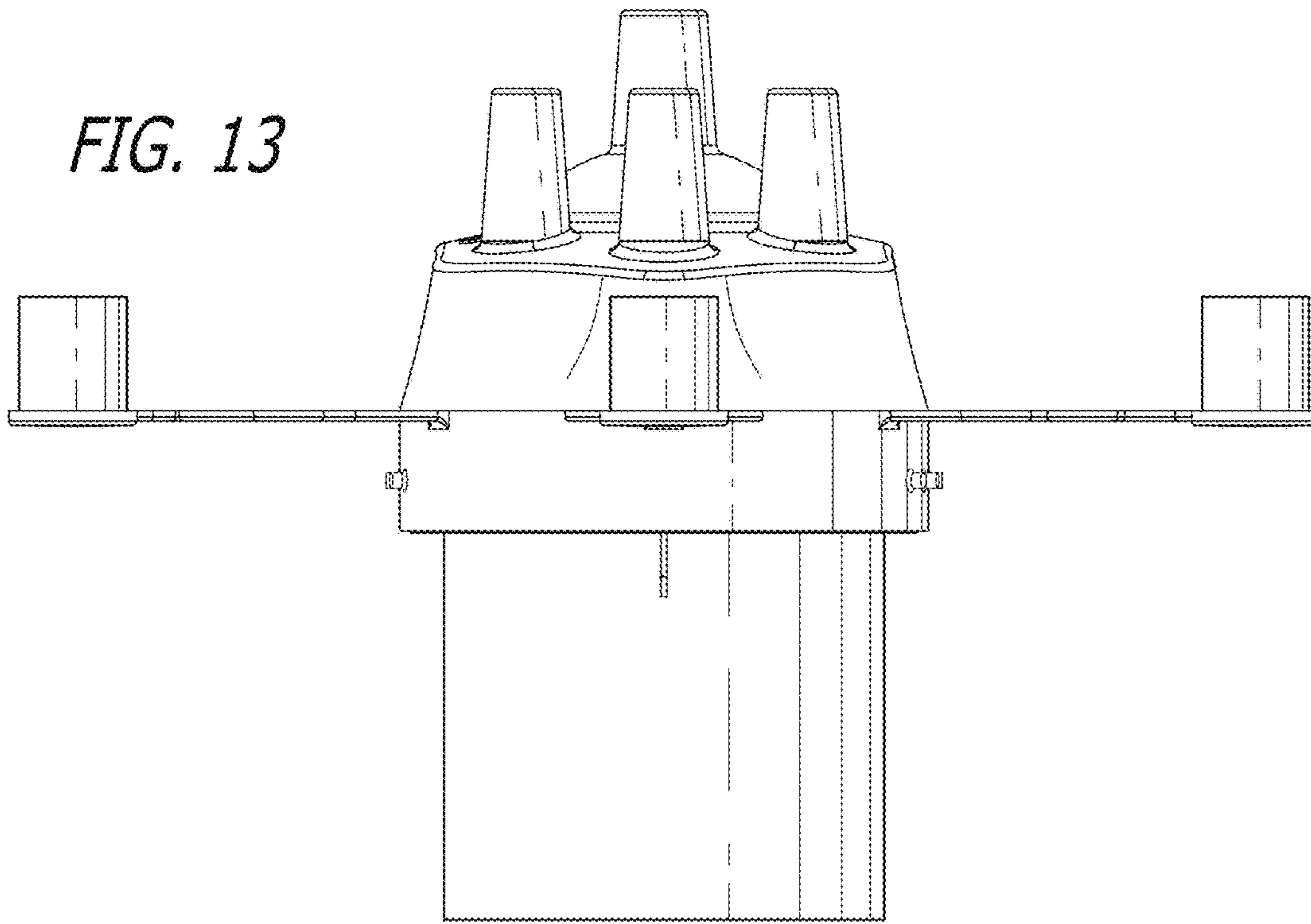


FIG. 12



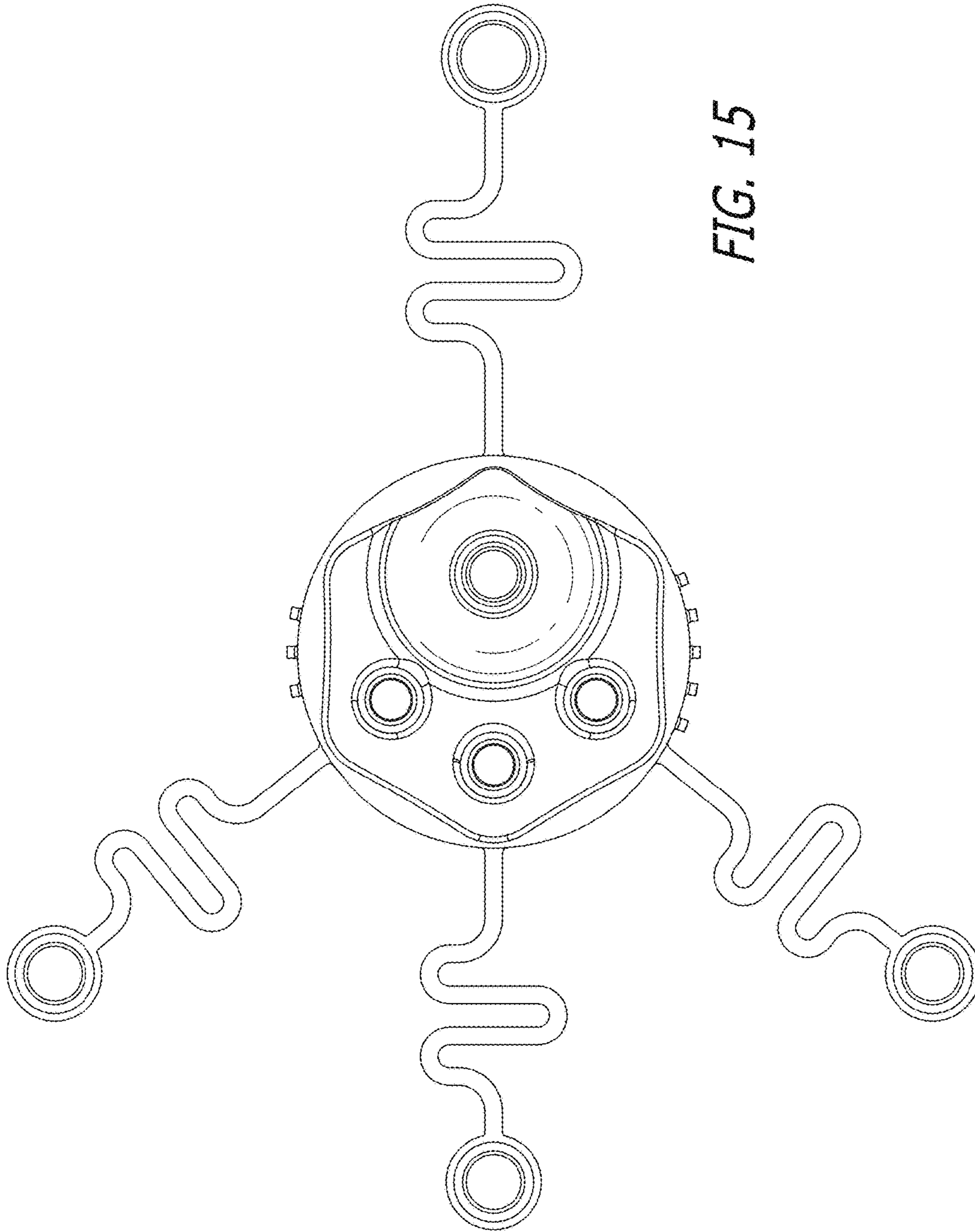


FIG. 15

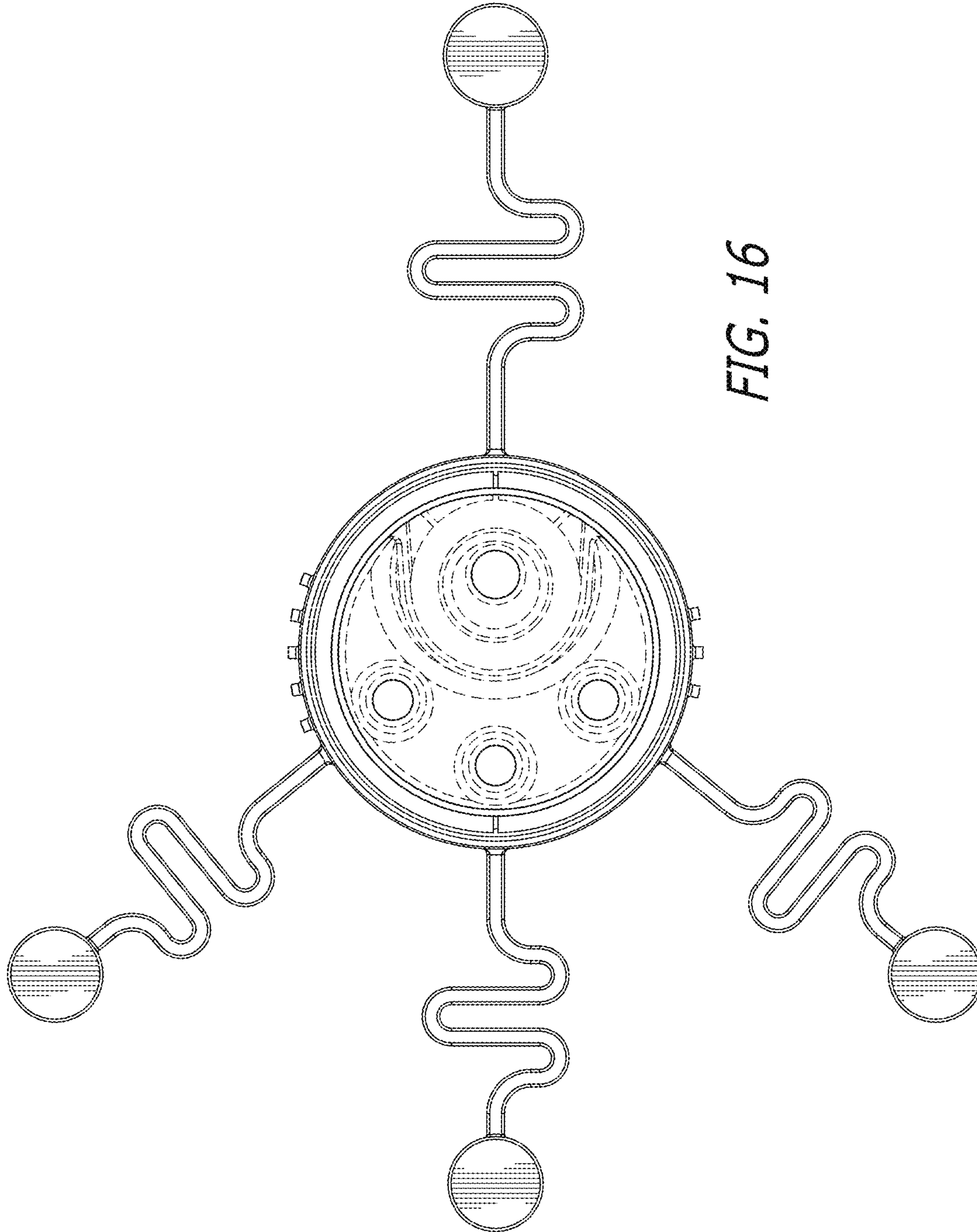


FIG. 16

FIG. 17

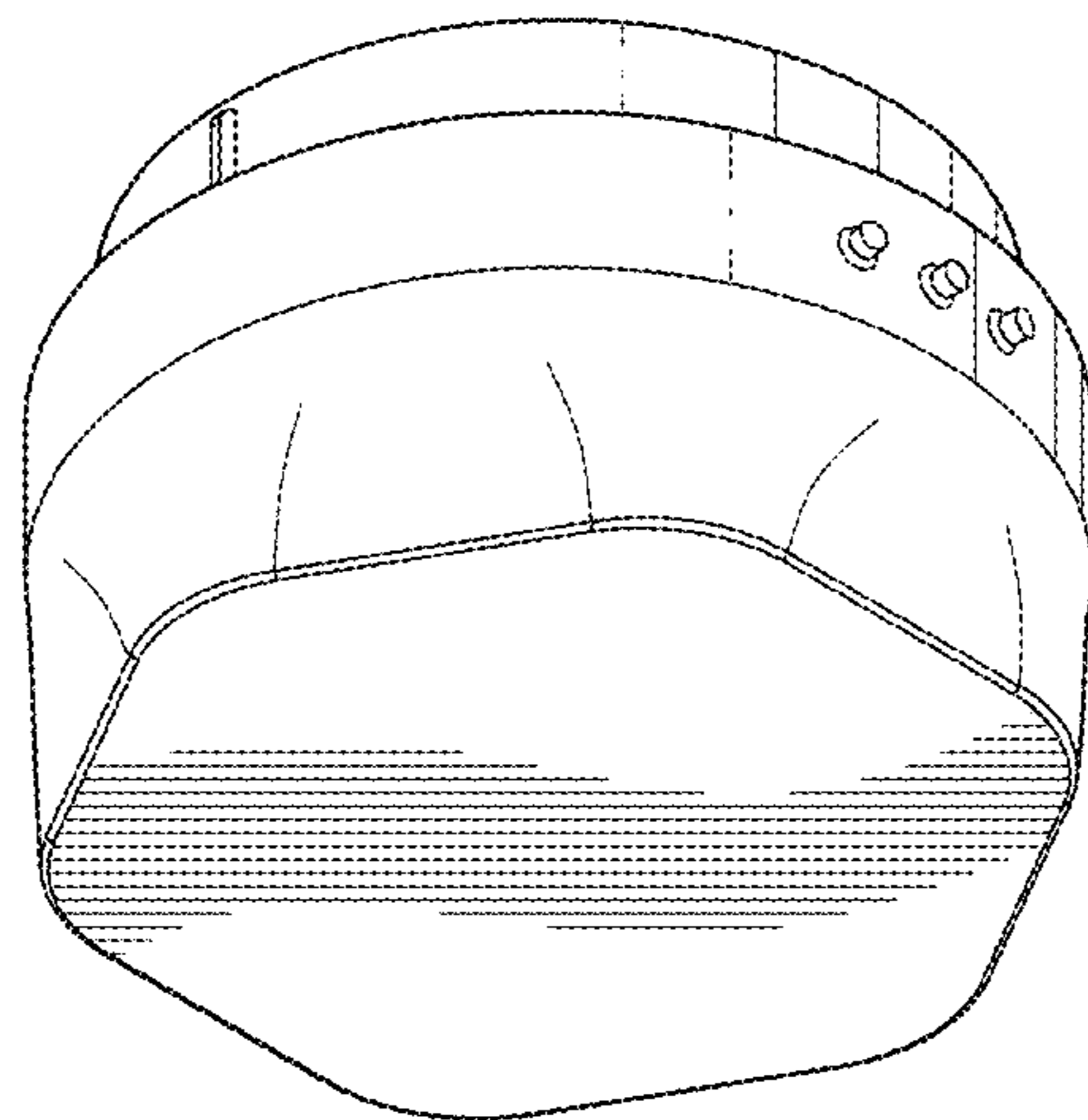
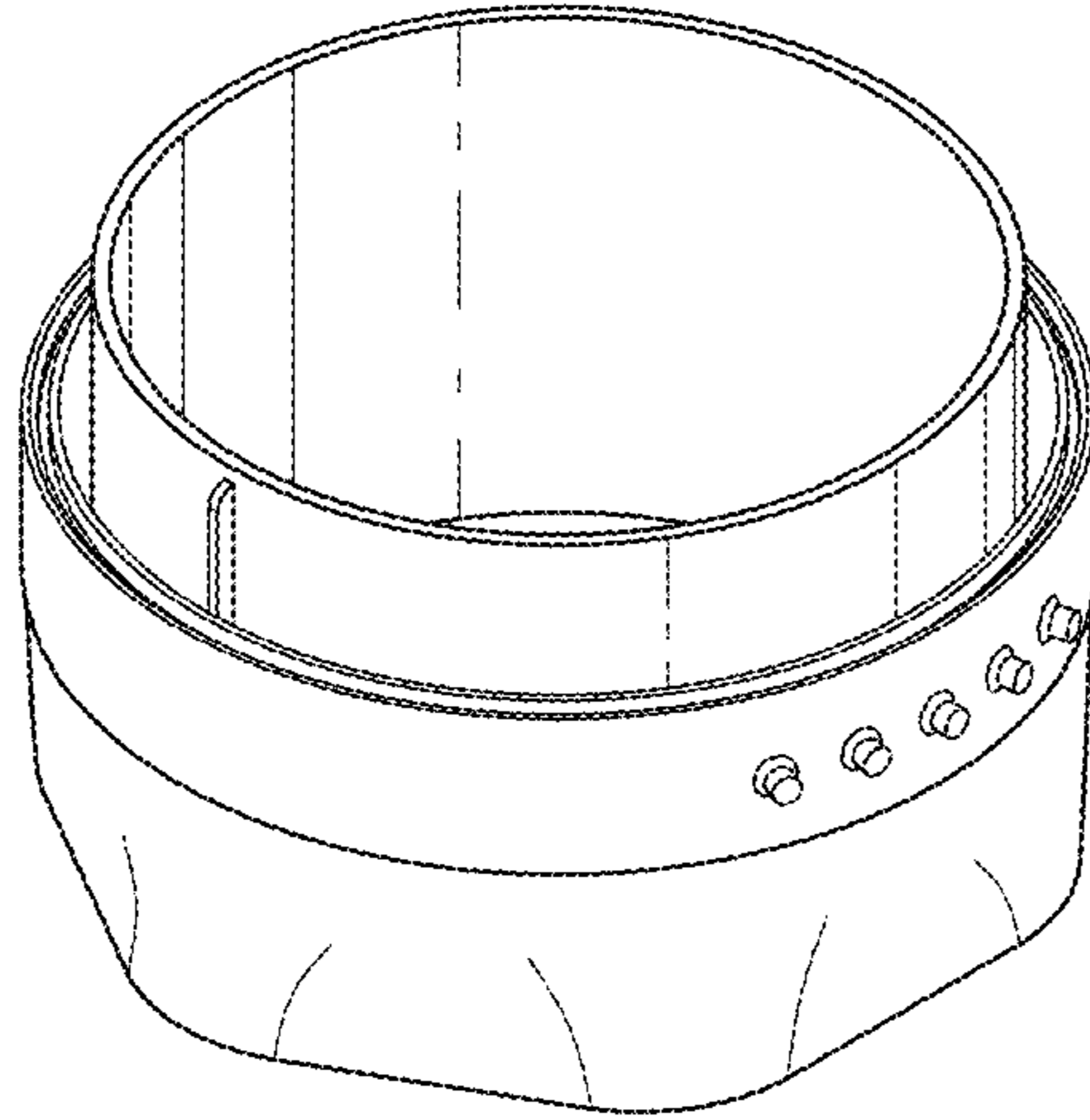


FIG. 18

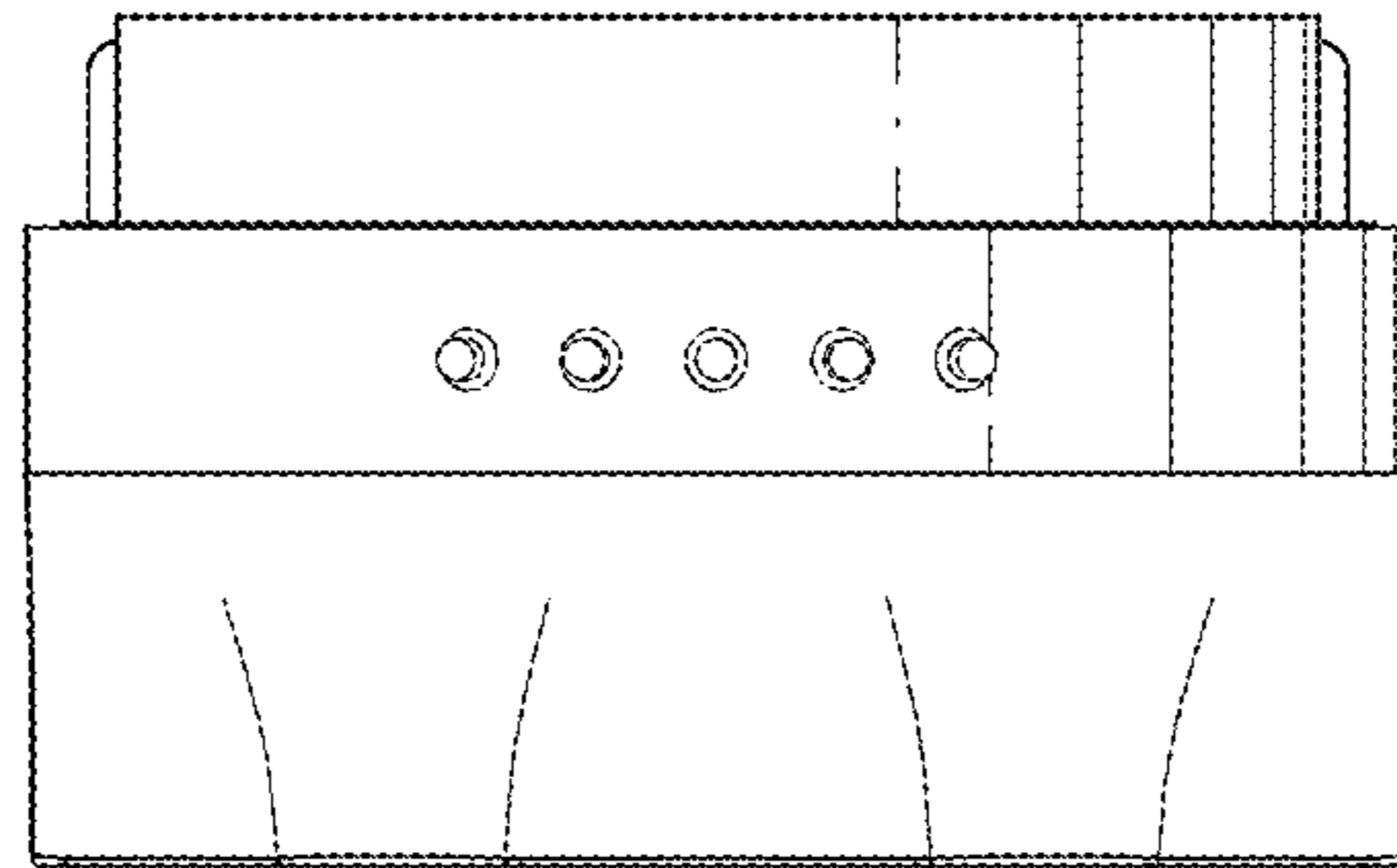


FIG. 19

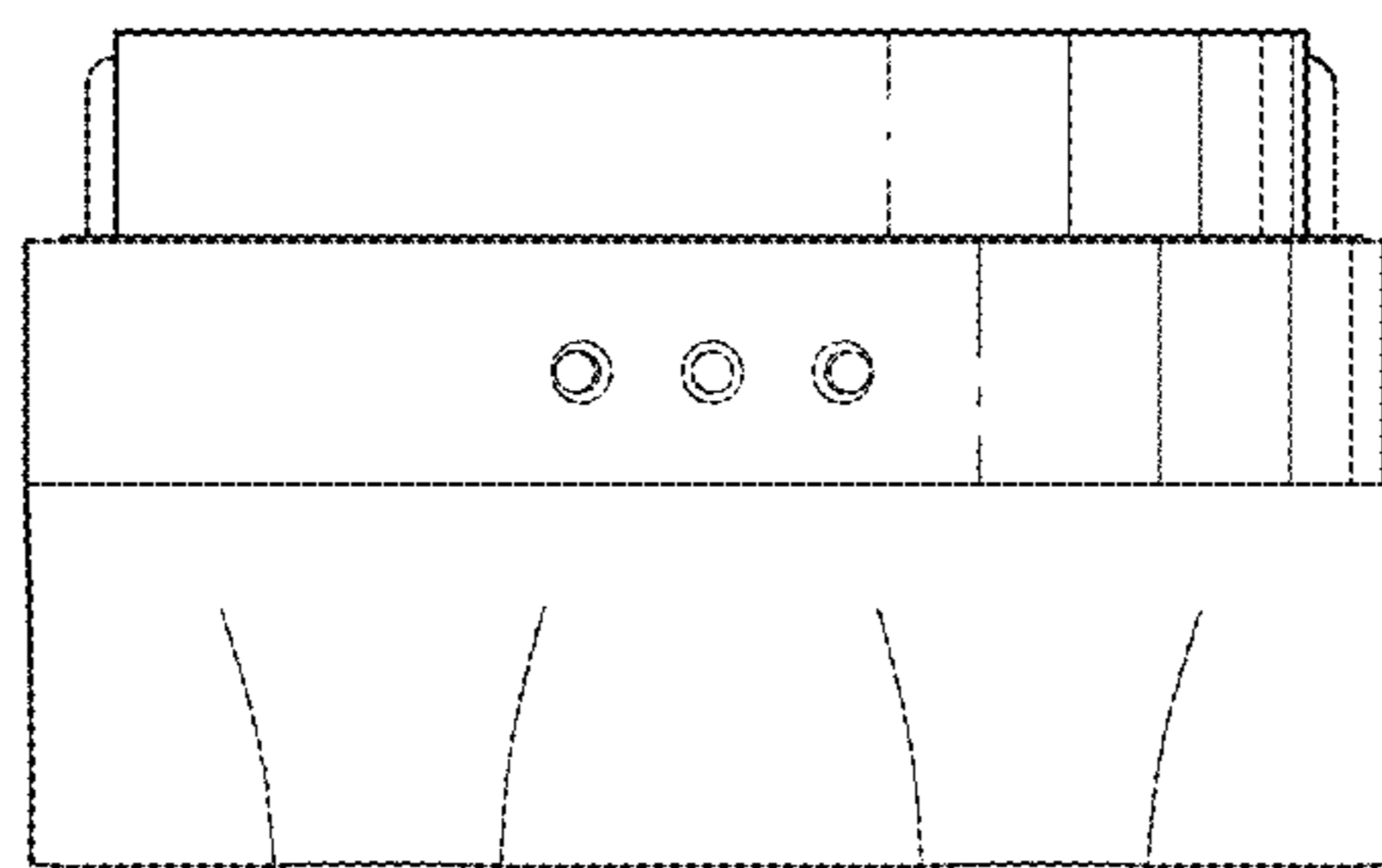


FIG. 20

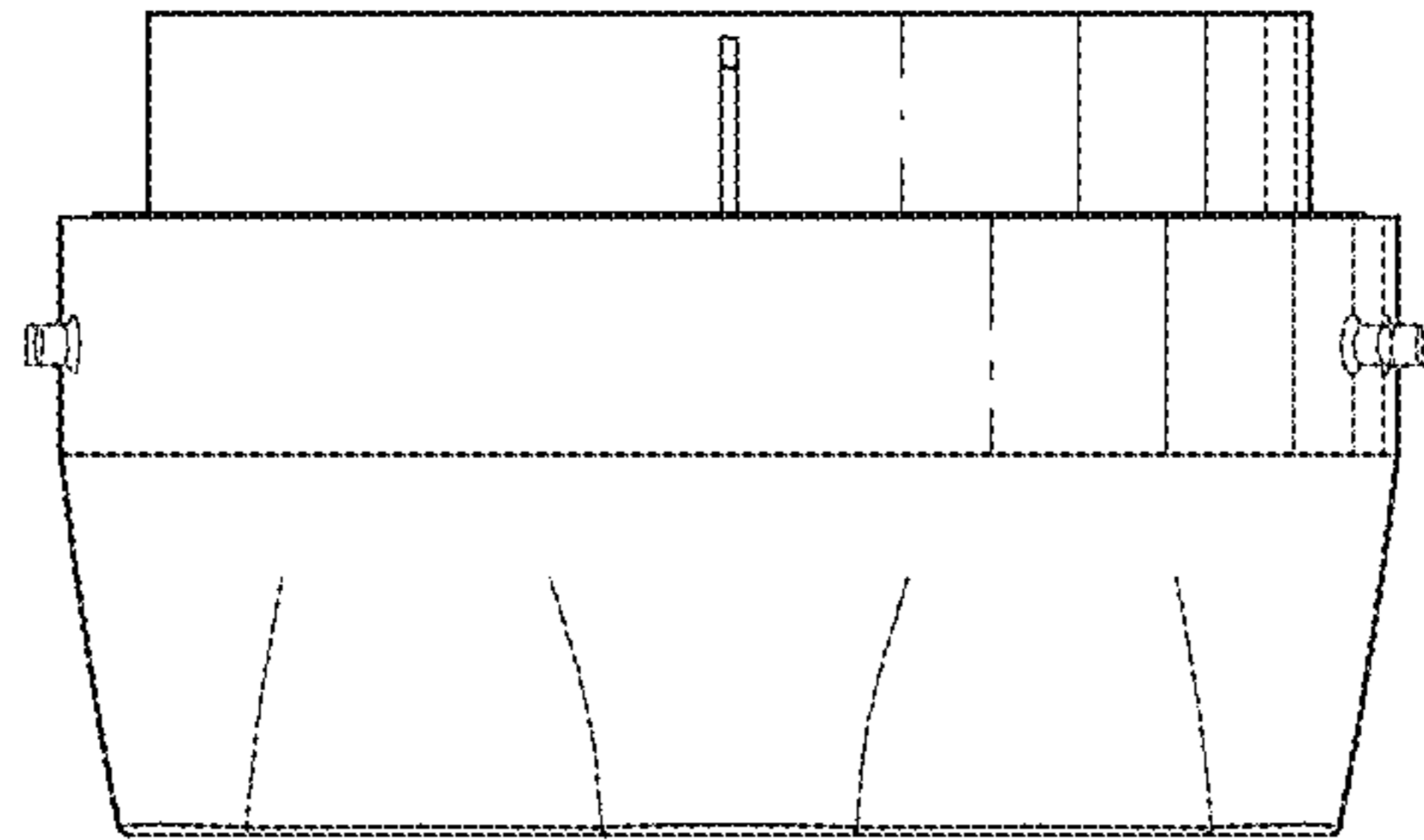


FIG. 21

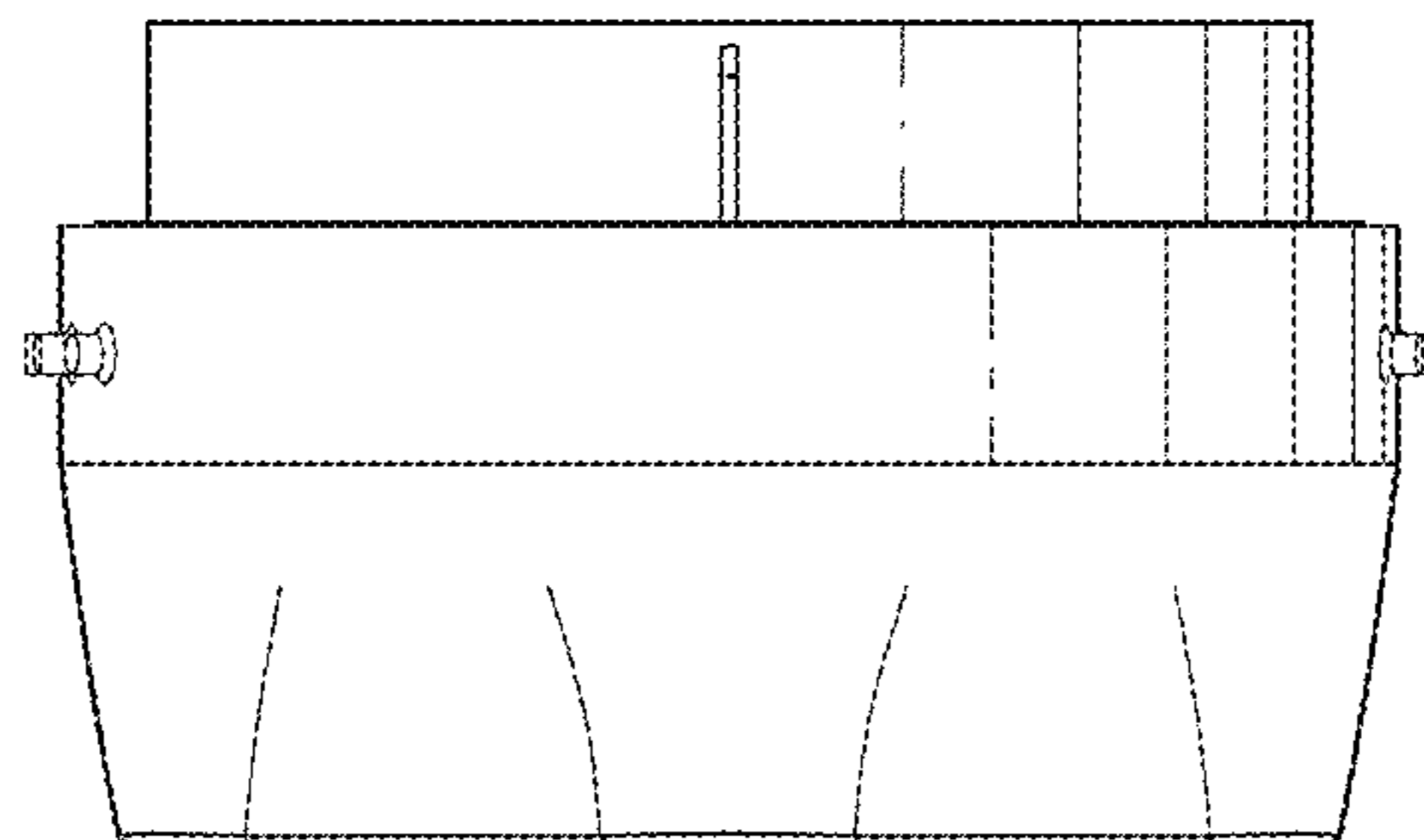


FIG. 22

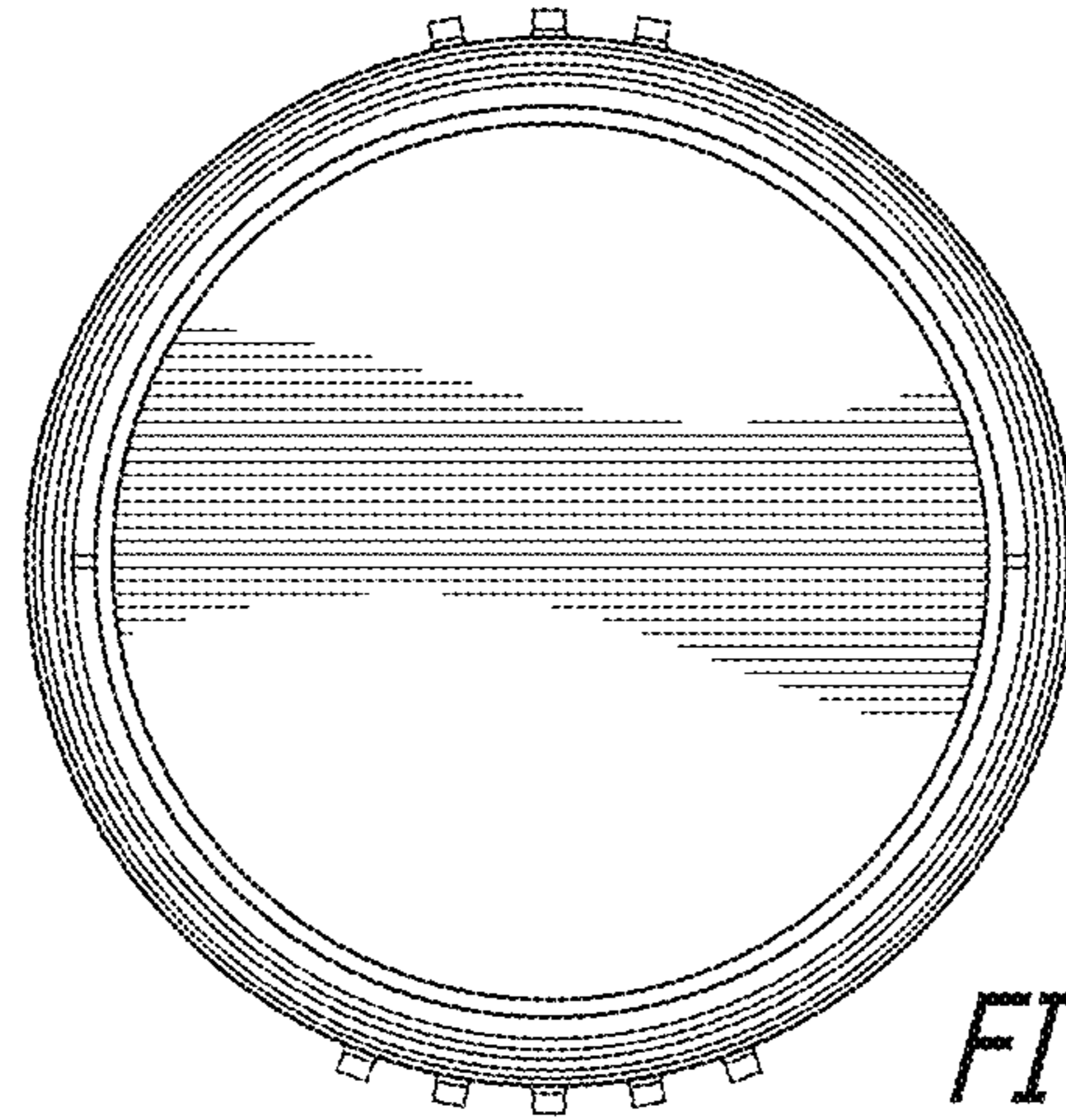


FIG. 23

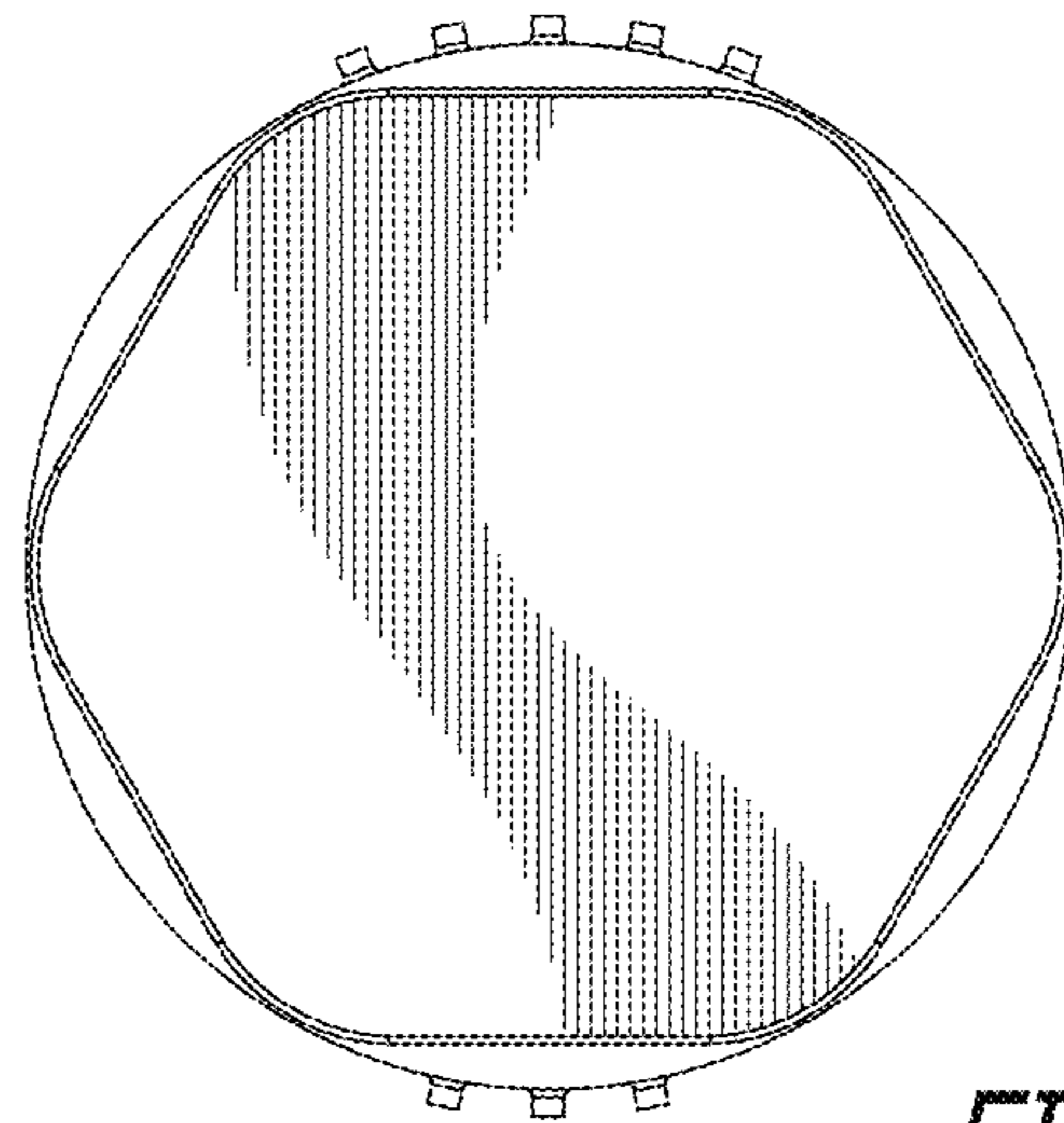


FIG. 24

UNITED STATES PATENT AND TRADEMARK OFFICE
CERTIFICATE OF CORRECTION

PATENT NO. : D783,176 S
APPLICATION NO. : 29/541872
DATED : April 4, 2017
INVENTOR(S) : William Gavlak et al.

Page 1 of 1

It is certified that error appears in the above-identified patent and that said Letters Patent is hereby corrected as shown below:

In (72) of the list of Inventors, remove "J." and add --A.-- in Michael J. Fisher.

In (72) of the list of Inventors, remove "A." and add --J.-- in Michael A. Glatzer.

Signed and Sealed this
Twenty-seventh Day of June, 2017



Joseph Matal
*Performing the Functions and Duties of the
Under Secretary of Commerce for Intellectual Property and
Director of the United States Patent and Trademark Office*