



US00D783170S

(12) **United States Design Patent** (10) **Patent No.:** **US D783,170 S**  
**Carreon et al.** (45) **Date of Patent:** **\*\* Apr. 4, 2017**

(54) **EXTERNAL PULSE GENERATOR**  
(71) Applicant: **Axonics Modulation Technologies, Inc.**, Irvine, CA (US)  
(72) Inventors: **Ronaldo Fernandez Carreon**, Irvine, CA (US); **Dennis Lynn Schroeder**, Irvine, CA (US)  
(73) Assignee: **AXONICS MODULATION TECHNOLOGIES, INC.**, Irvine, CA (US)  
(\*\*) Term: **15 Years**  
(21) Appl. No.: **29/554,668**  
(22) Filed: **Feb. 12, 2016**  
(51) **LOC (10) Cl.** ..... **24-01**  
(52) **U.S. Cl.**  
USPC ..... **D24/167**  
(58) **Field of Classification Search**  
USPC ..... D24/165-168, 186, 187, 107, 200;  
D10/75  
CPC ..... A61N 1/39; A61N 1/3925; A61N 1/3968;  
A61N 1/3987; A61N 1/3993; A61N 1/046; A61N 1/0484; A61N 1/0492;  
A61N 1/36014; A61N 1/3621; A61N 1/3625  
See application file for complete search history.

D548,346 S \* 8/2007 Vaisnys ..... D24/167  
D597,211 S \* 7/2009 Ewing ..... D24/187  
D676,134 S \* 2/2013 Sævareid ..... D24/167  
D717,442 S \* 11/2014 Kaib ..... D24/167  
D739,035 S \* 9/2015 Tavidian ..... D24/200  
D757,275 S \* 5/2016 Lee ..... D24/187  
D764,060 S \* 8/2016 Singh ..... D24/167  
D764,670 S \* 8/2016 Finch ..... D24/167  
2010/0241181 A1 \* 9/2010 Savage ..... A61N 1/046  
607/5

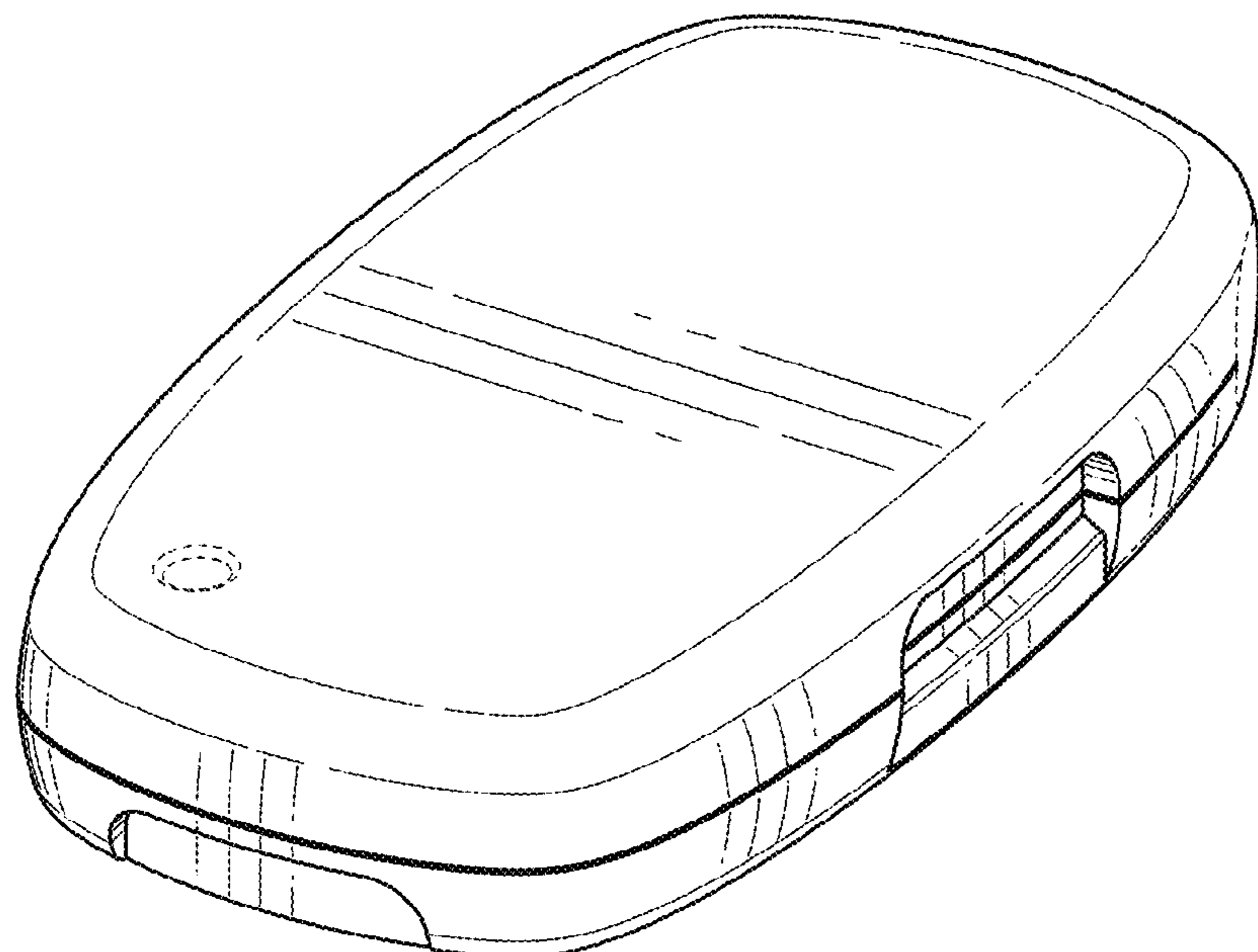
\* cited by examiner  
*Primary Examiner* — Anhdao Doan  
(74) *Attorney, Agent, or Firm* — Kilpatrick Townsend & Stockton LLP

(57) **CLAIM**  
The ornamental design for an external pulse generator, as shown and described.

**DESCRIPTION**  
FIG. 1 is a top perspective view of the external pulse generator showing our new design;  
FIG. 2 is a bottom perspective view thereof;  
FIG. 3 is a rear elevational view thereof;  
FIG. 4 is a front elevational view thereof;  
FIG. 5 is a left side view thereof;  
FIG. 6 is a right side view thereof;  
FIG. 7 is a top view thereof; and,  
FIG. 8 is a bottom view thereof.  
The broken lines immediately adjacent the shaded areas represent the bounds of the claim, while all other broken lines are directed to environment and are for illustrative purposes only; the broken lines form no part of the claimed design.

(56) **References Cited**  
U.S. PATENT DOCUMENTS  
D350,206 S \* 8/1994 Mochida ..... D24/200  
D494,681 S \* 8/2004 Mills ..... D24/167

**1 Claim, 8 Drawing Sheets**



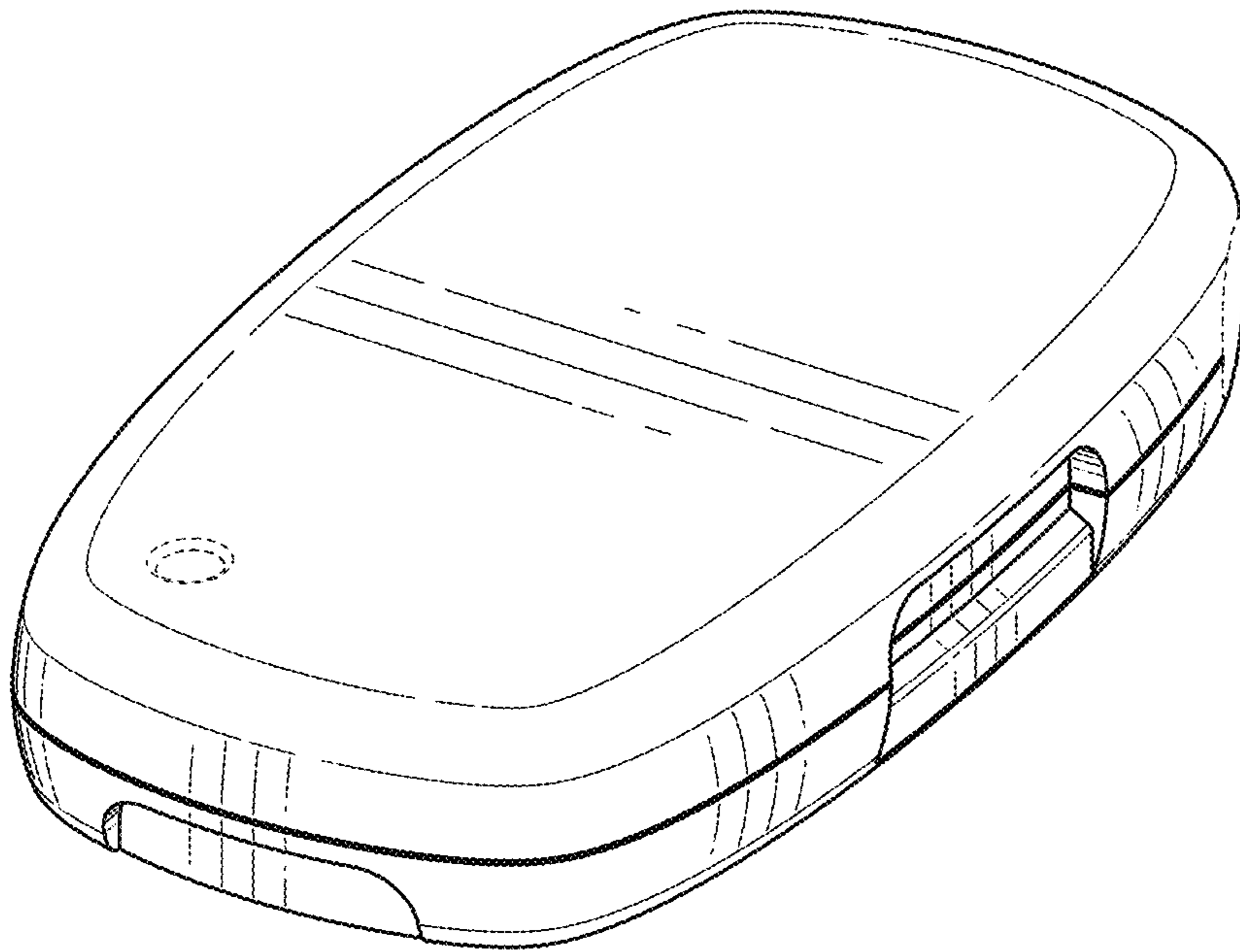


FIG. 1

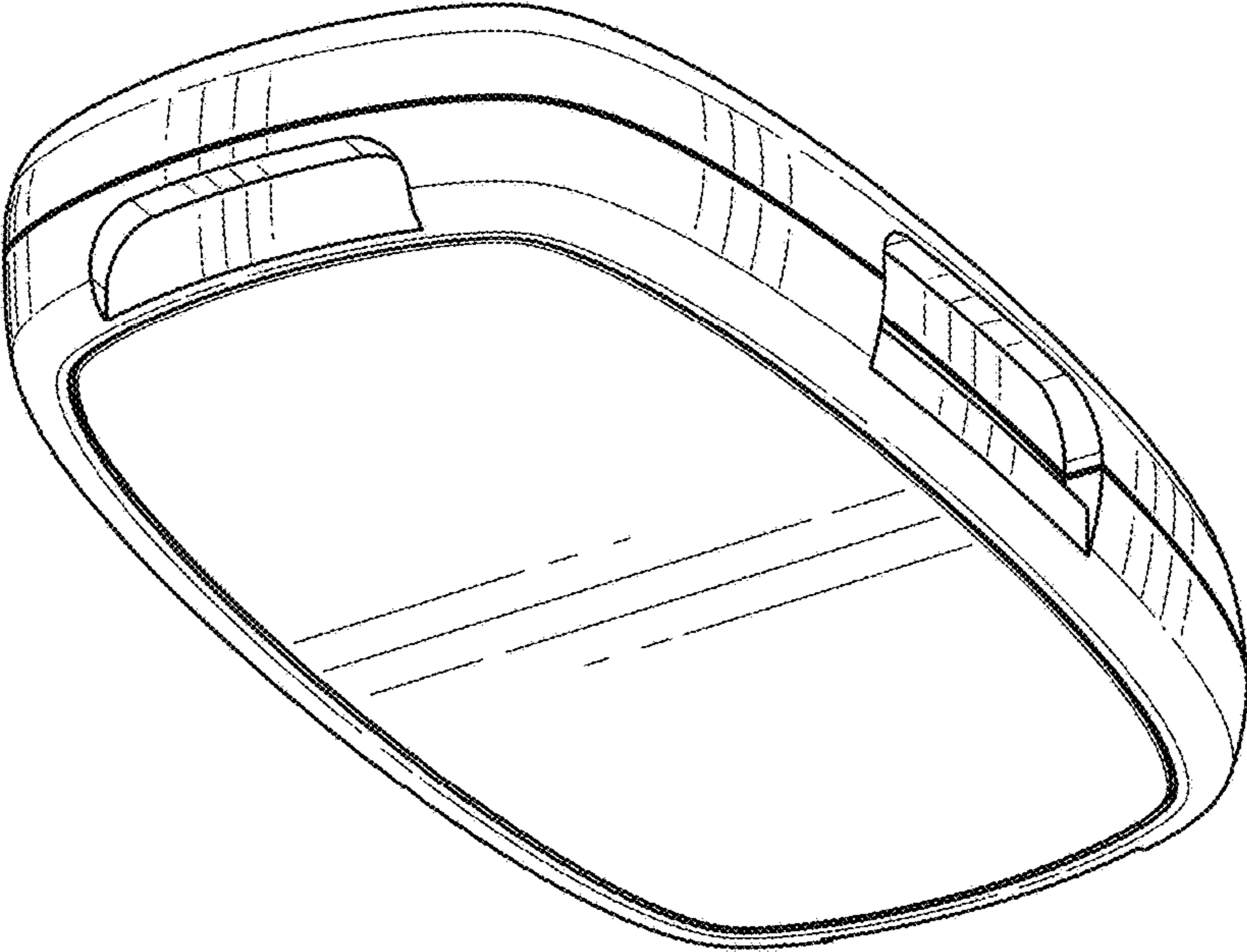


FIG. 2

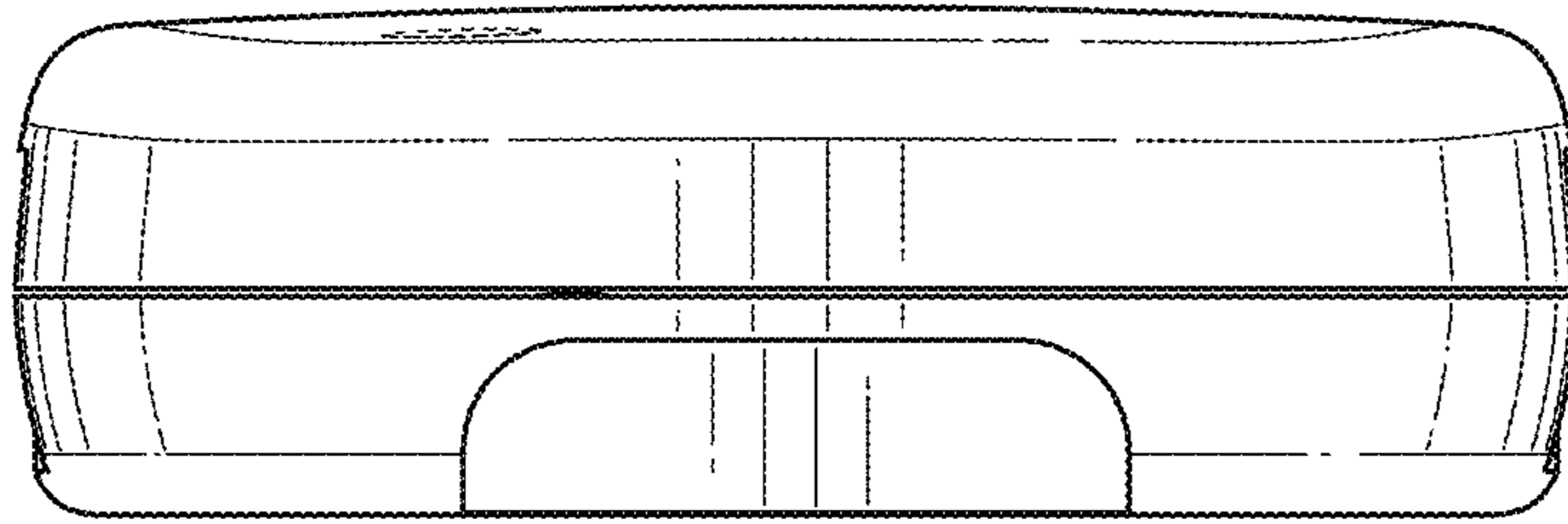


FIG. 3

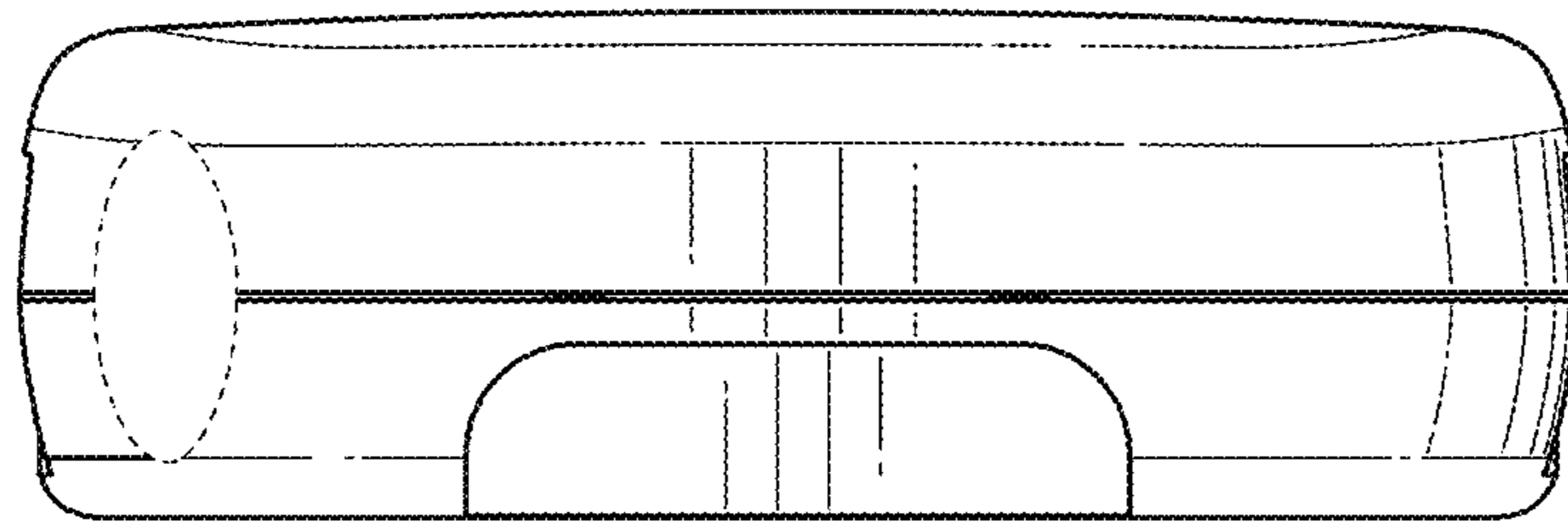


FIG. 4

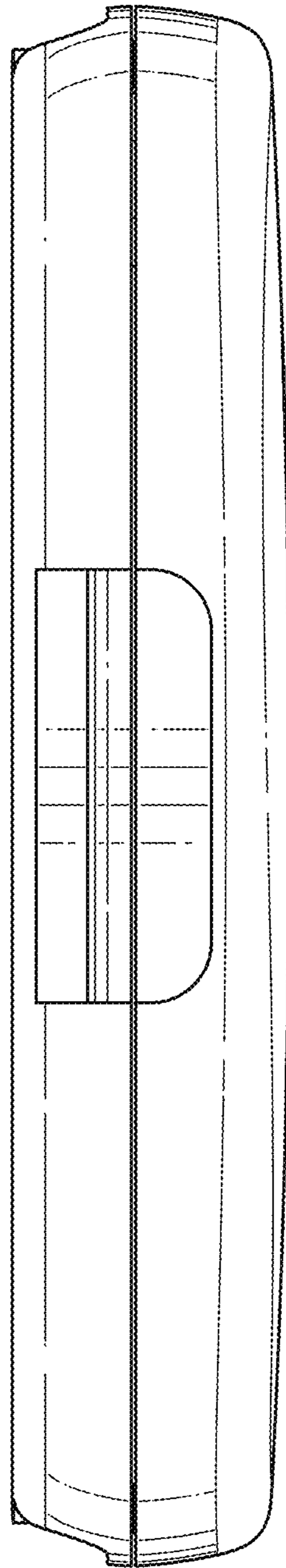


FIG. 5

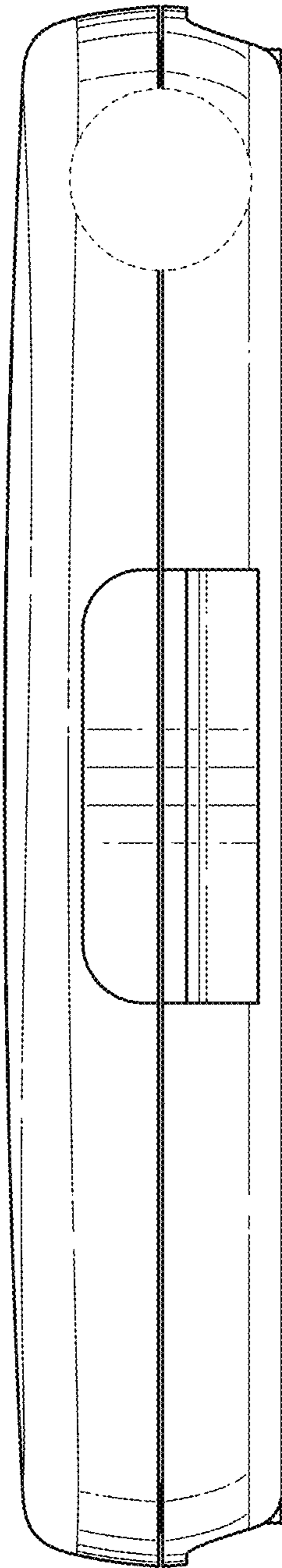


FIG. 6

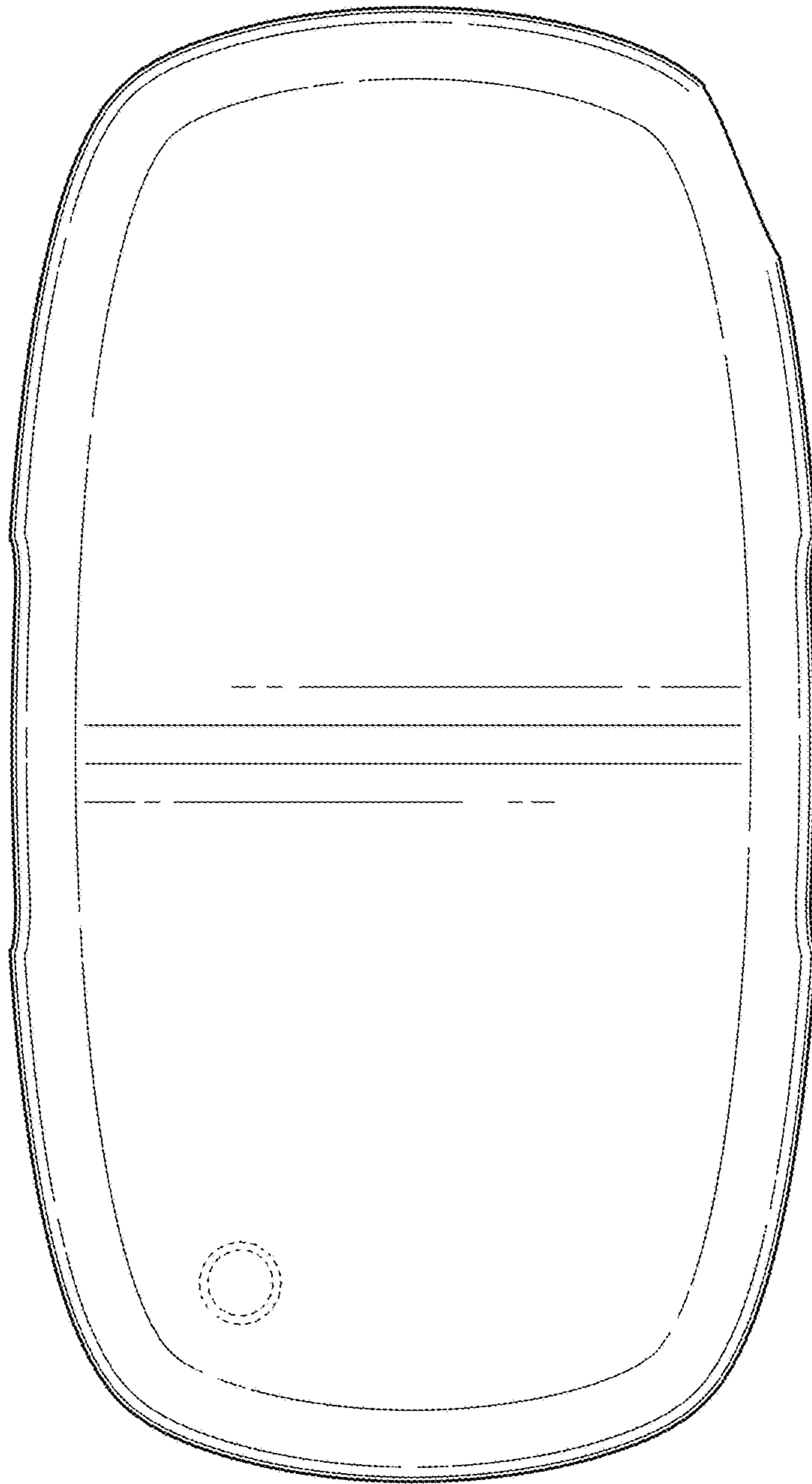


FIG. 7



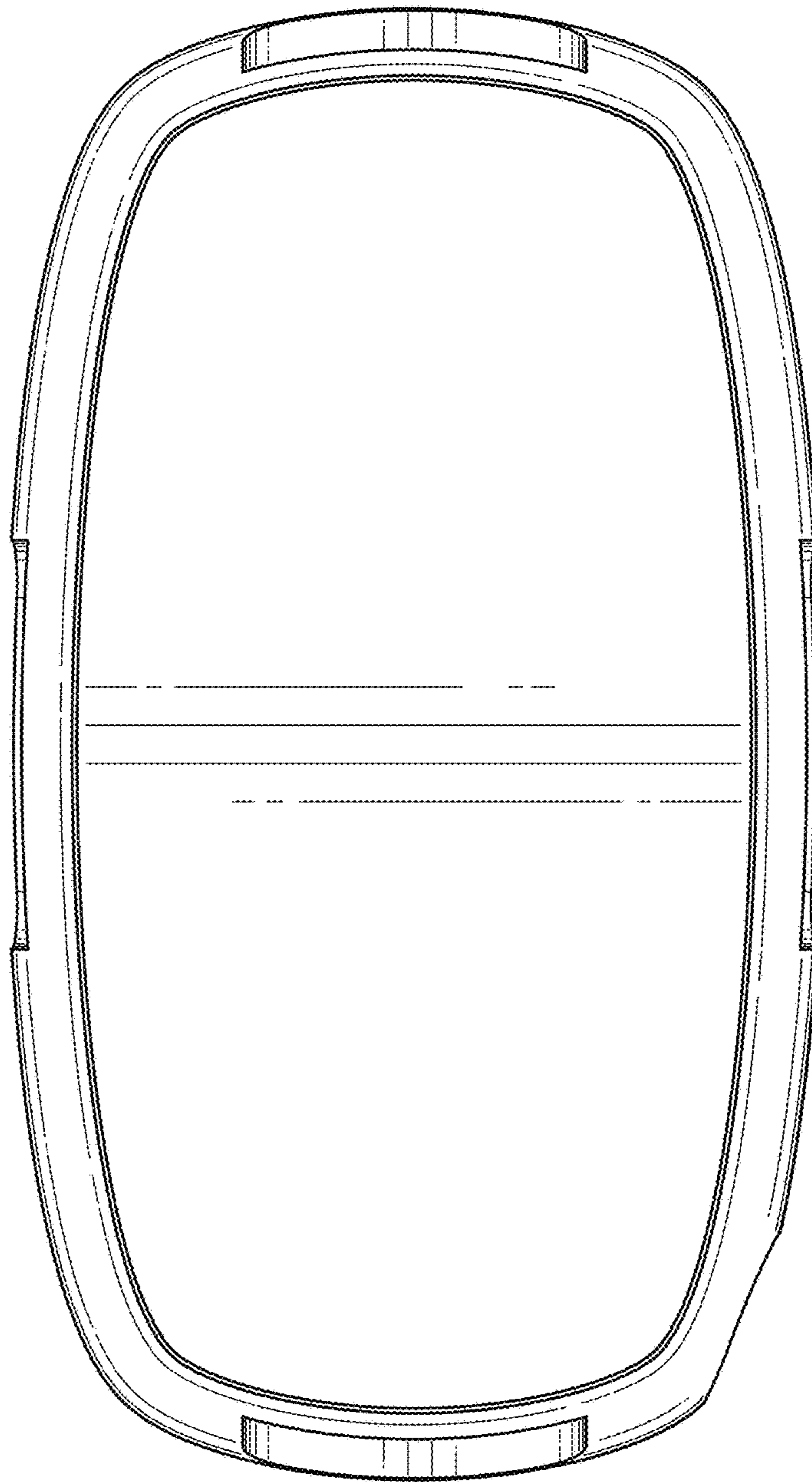


FIG. 8