



US00D783169S

(12) **United States Design Patent** (10) **Patent No.:** **US D783,169 S**  
**Anderson et al.** (45) **Date of Patent:** **\*\* Apr. 4, 2017**

(54) **EXTERNAL DEFIBRILLATOR**

D623,301 S \* 9/2010 Wung ..... D24/167  
D643,618 S \* 8/2011 Guichet ..... D3/203.1  
D679,017 S \* 3/2013 London ..... D24/167  
D717,442 S \* 11/2014 Kaib ..... D24/167

(71) Applicant: **Heartsine Technologies Limited,**  
Belfast Antrim (GB)

\* cited by examiner

(72) Inventors: **Johnny Anderson,** Holywood (GB);  
**Dymphna Donaghy,** Letterkenny (GB);  
**Declan O'Mahoney,** Innishannon (GB)

*Primary Examiner* — Anhdao Doan

(73) Assignee: **Heartsine Technologies Limited,**  
Belfast (GB)

(57) **CLAIM**

We claim the ornamental design for an external defibrillator,  
as shown and described.

(\*\*) Term: **15 Years**

**DESCRIPTION**

(21) Appl. No.: **29/540,764**

FIG. 1 is a perspective view of an external defibrillator,  
showing the new design with the device inserted into the  
base station;

(22) Filed: **Sep. 28, 2015**

FIG. 2 is a front elevational view thereof;

(51) **LOC (10) Cl.** ..... **24-01**

FIG. 3 is a rear elevational view thereof;

(52) **U.S. Cl.**

FIG. 4 is a right side elevational view thereof.

USPC ..... **D24/167**

FIG. 5 is a left side elevational view thereof;

(58) **Field of Classification Search**

USPC ..... D24/165–168, 186, 187, 107; D10/75;  
D3/203.1

FIG. 6 is a top plan view thereof;

CPC ..... A61N 1/39; A61N 1/3925; A61N 1/3968;  
A61N 1/3987; A61N 1/3993

FIG. 7 is a bottom plan view thereof; and,

See application file for complete search history.

FIG. 8 is a partially exploded, front elevational view thereof  
showing how the device can be separated from the base  
station.

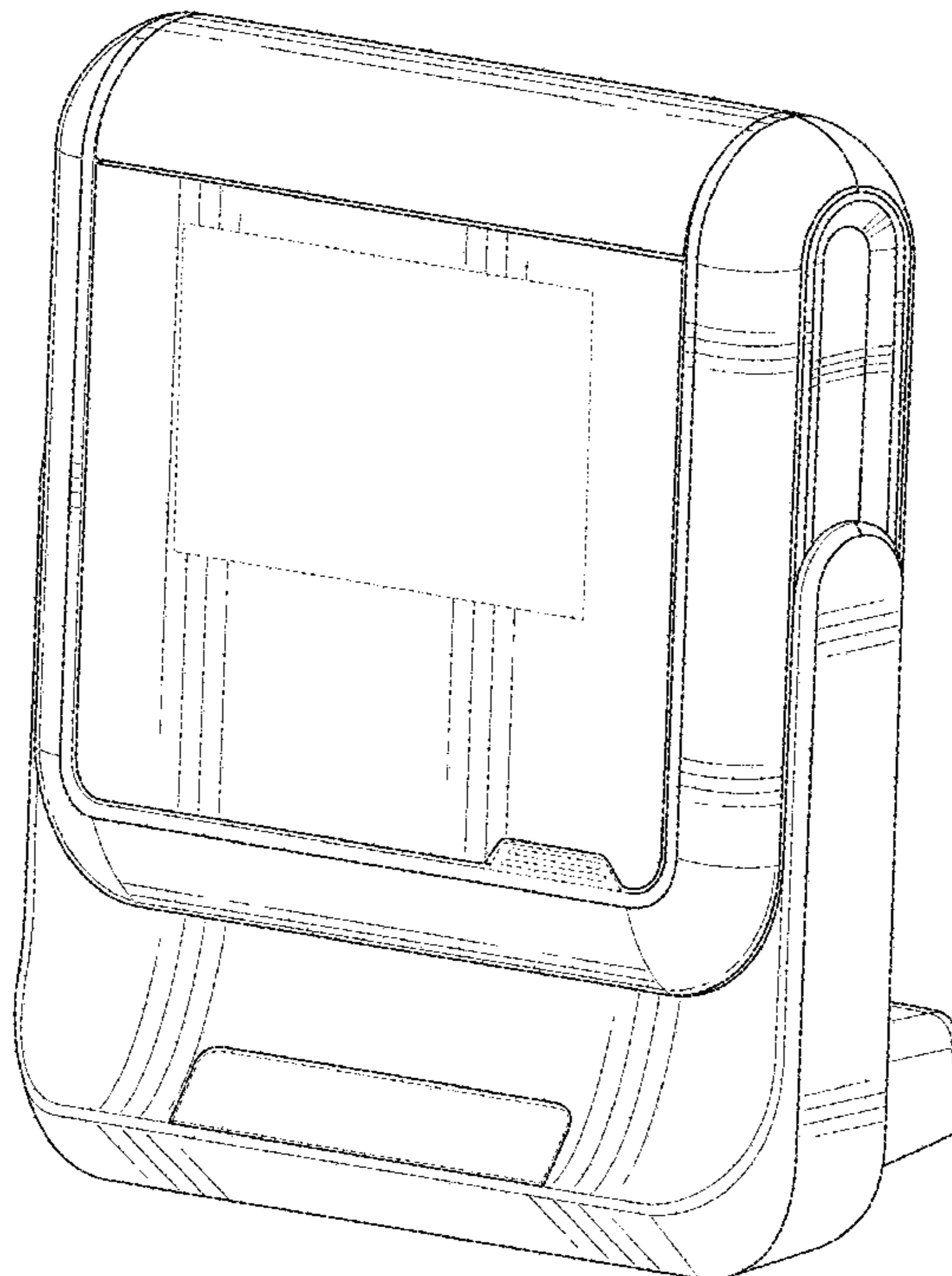
(56) **References Cited**

The broken lines immediately adjacent the shaded areas  
represent the bounds of the claim, while all other broken  
lines are directed to environment and are for illustrative  
purposes only; the broken lines form no part of the claimed  
design.

**U.S. PATENT DOCUMENTS**

D269,373 S \* 6/1983 Belt ..... D24/167  
D592,754 S \* 5/2009 Koike ..... D24/186  
D621,511 S \* 8/2010 Lathrop ..... D24/167

**1 Claim, 8 Drawing Sheets**



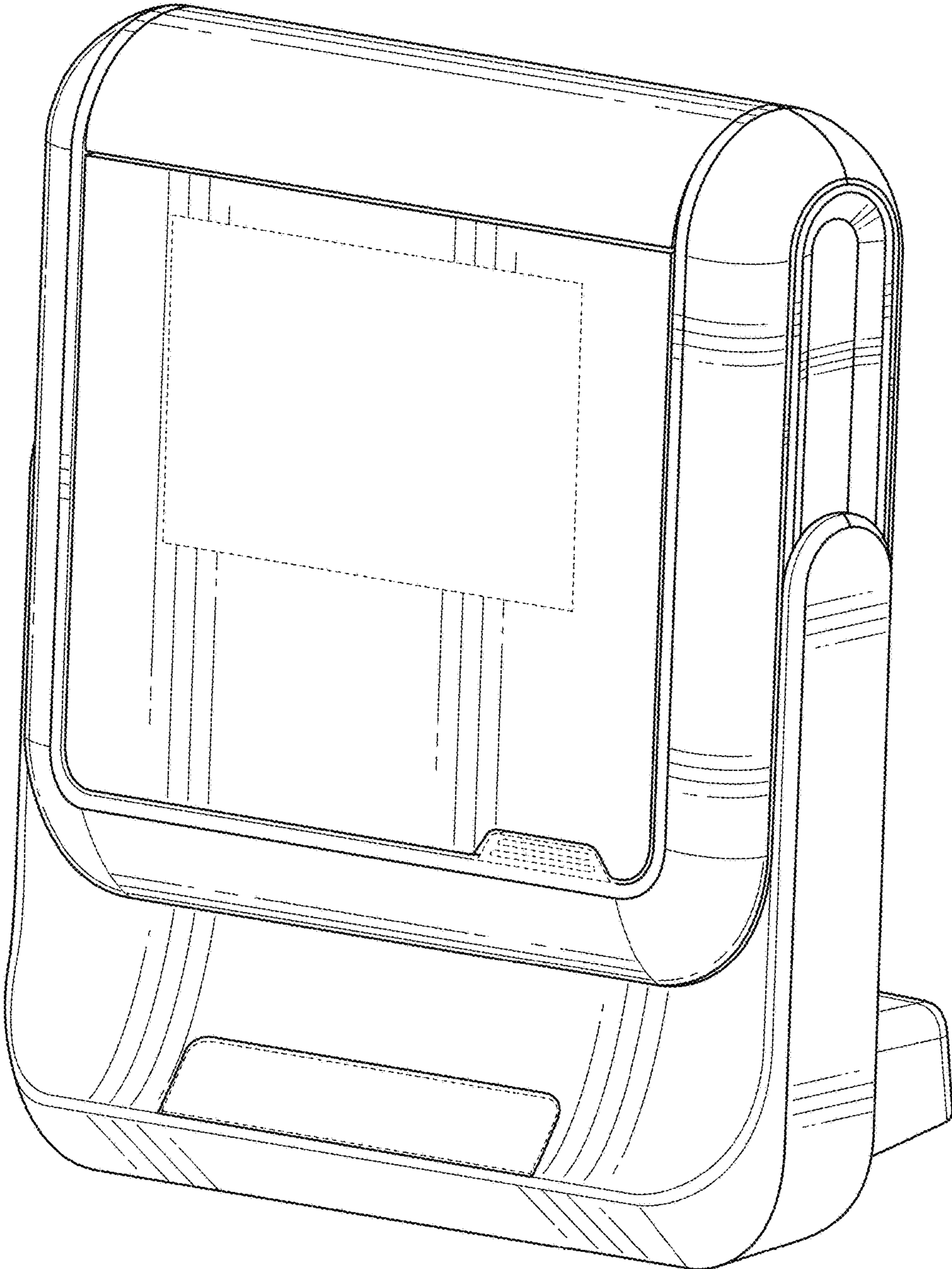


FIG. 1

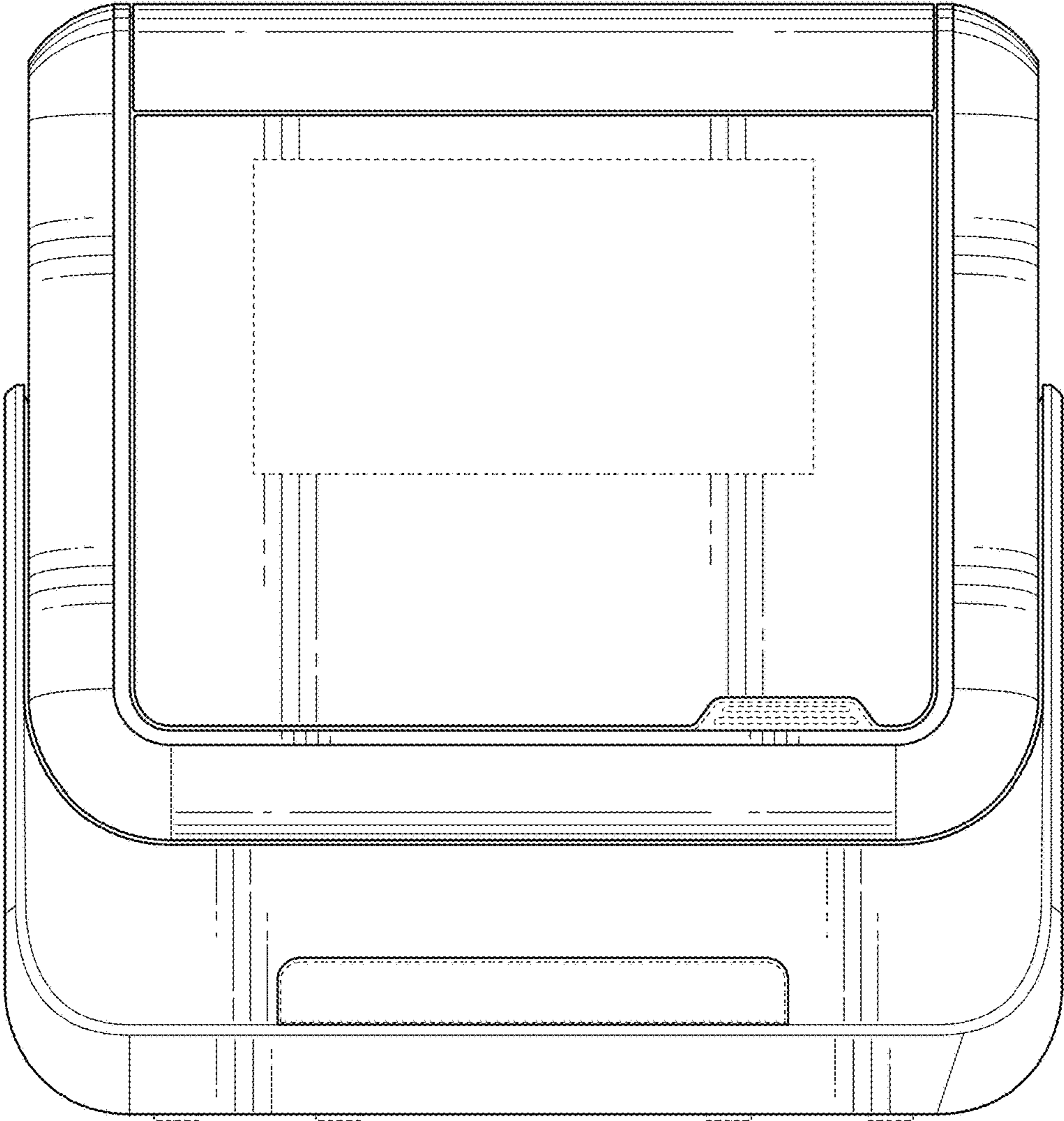


FIG. 2

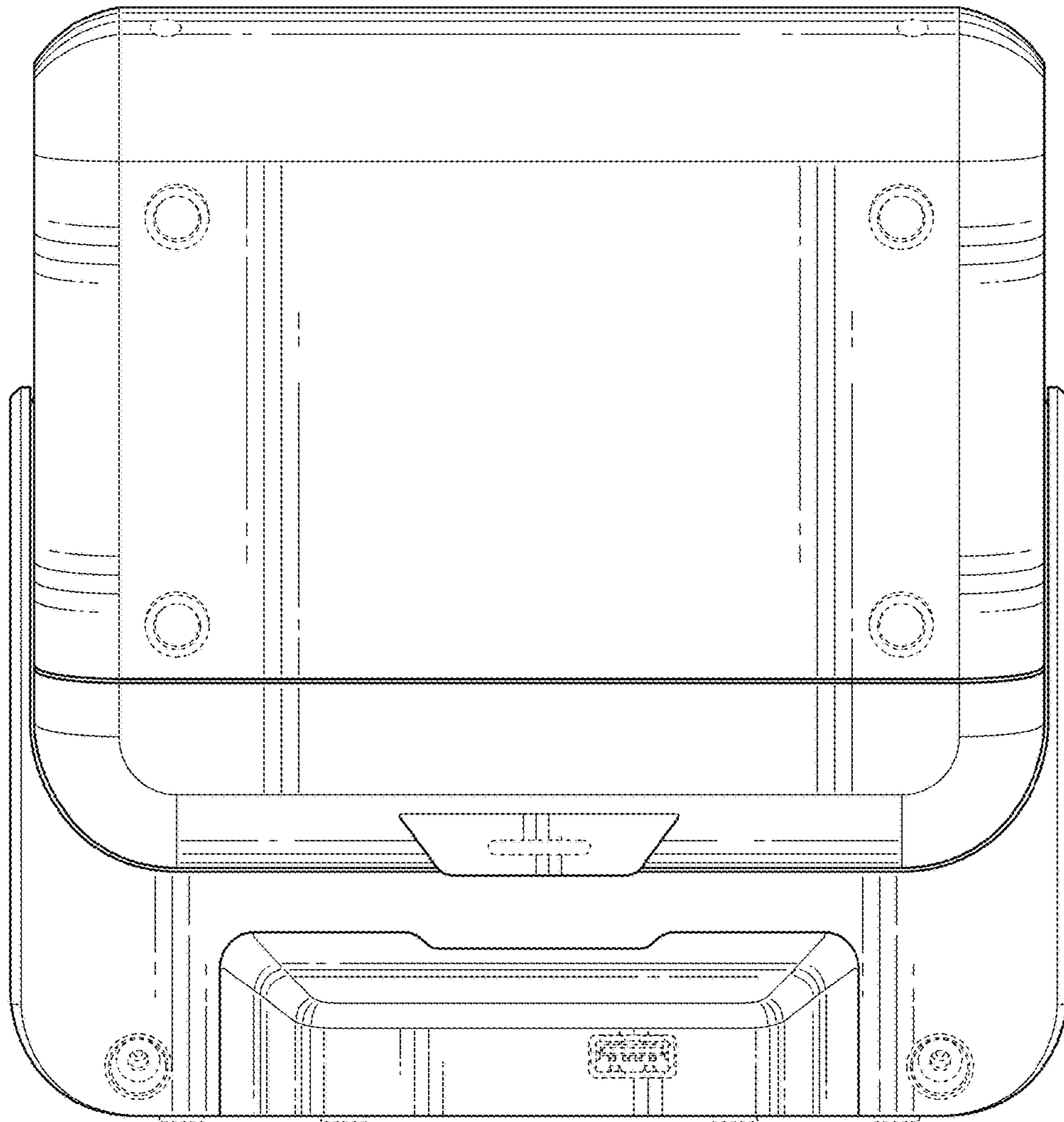


FIG. 3

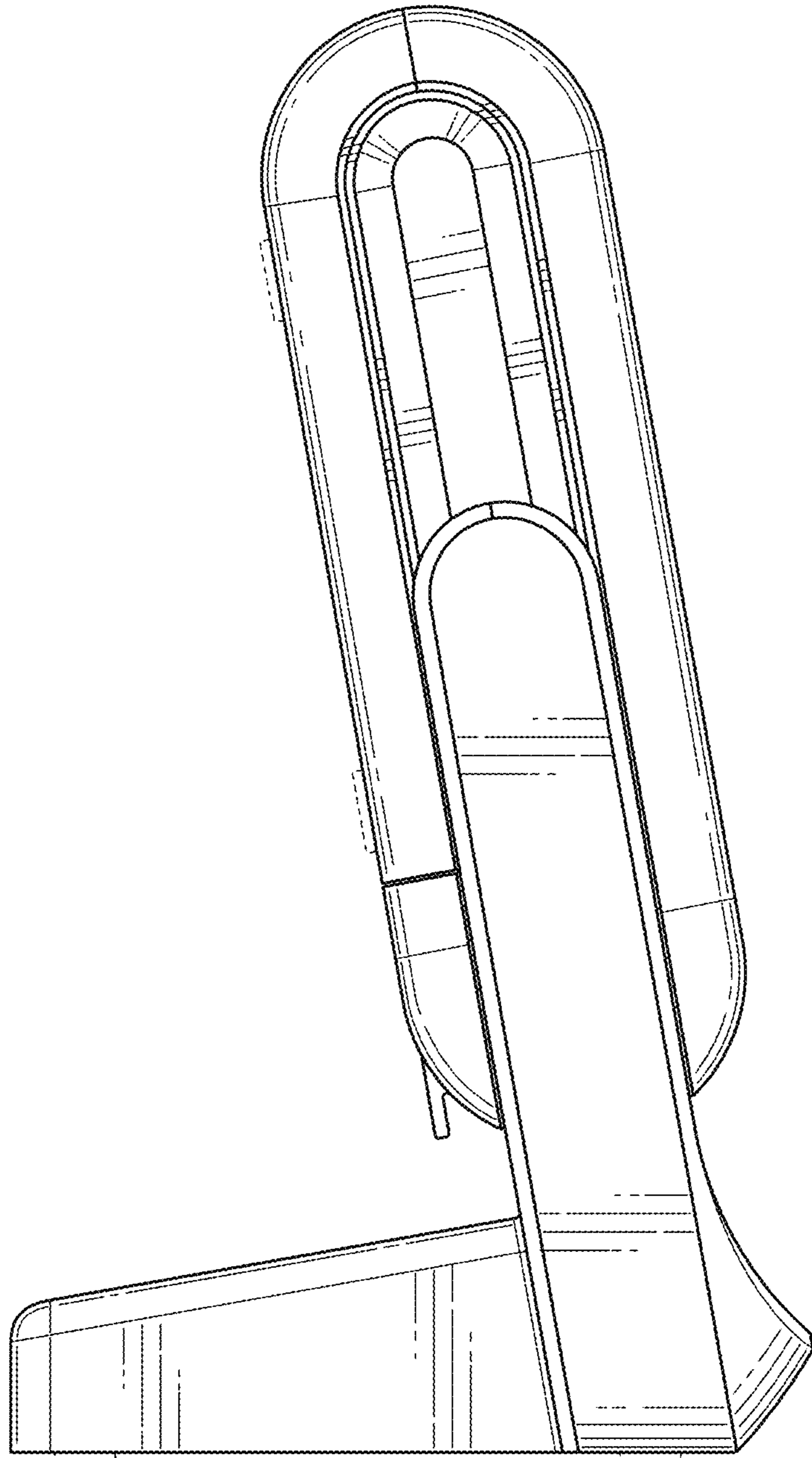


FIG. 4

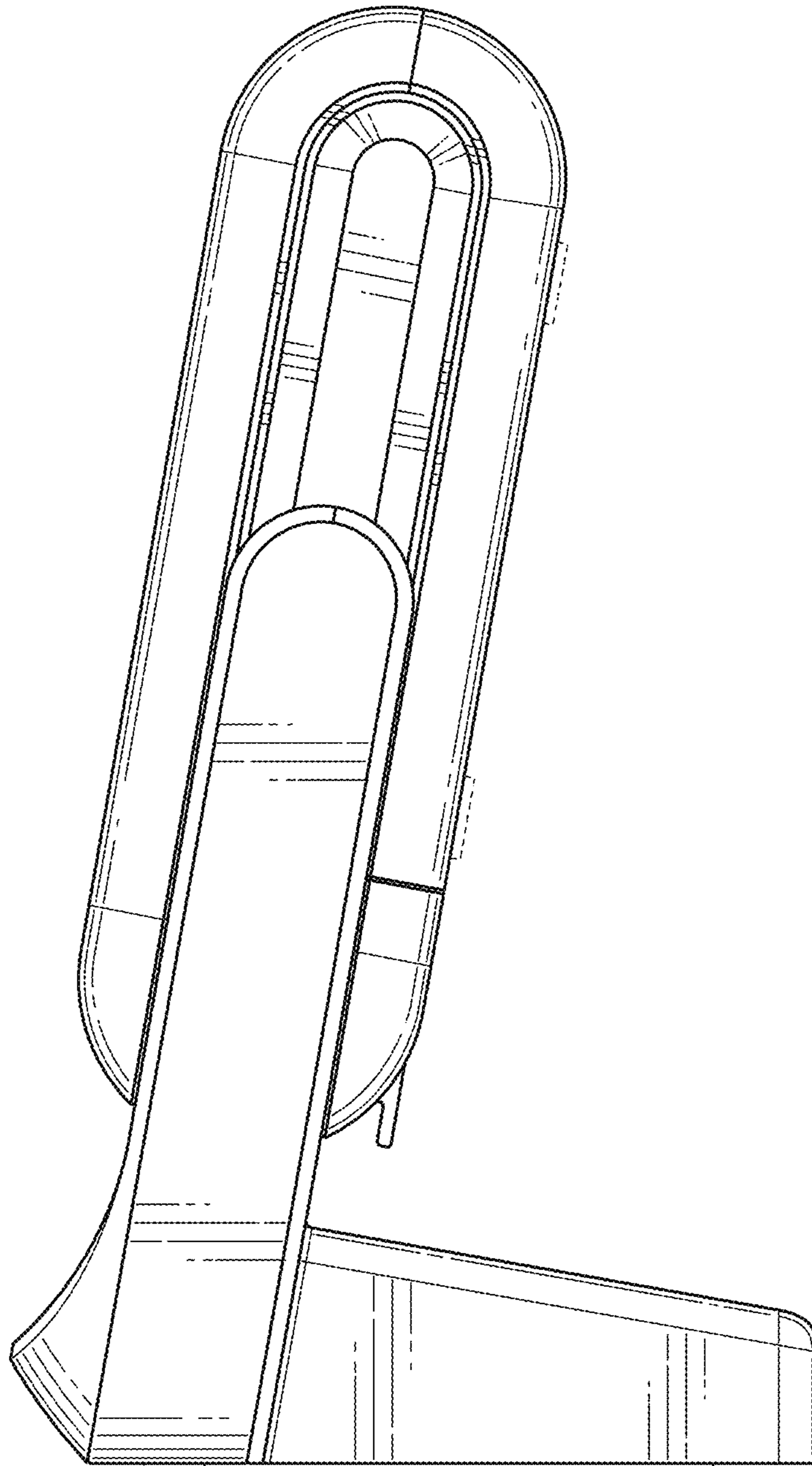


FIG. 5

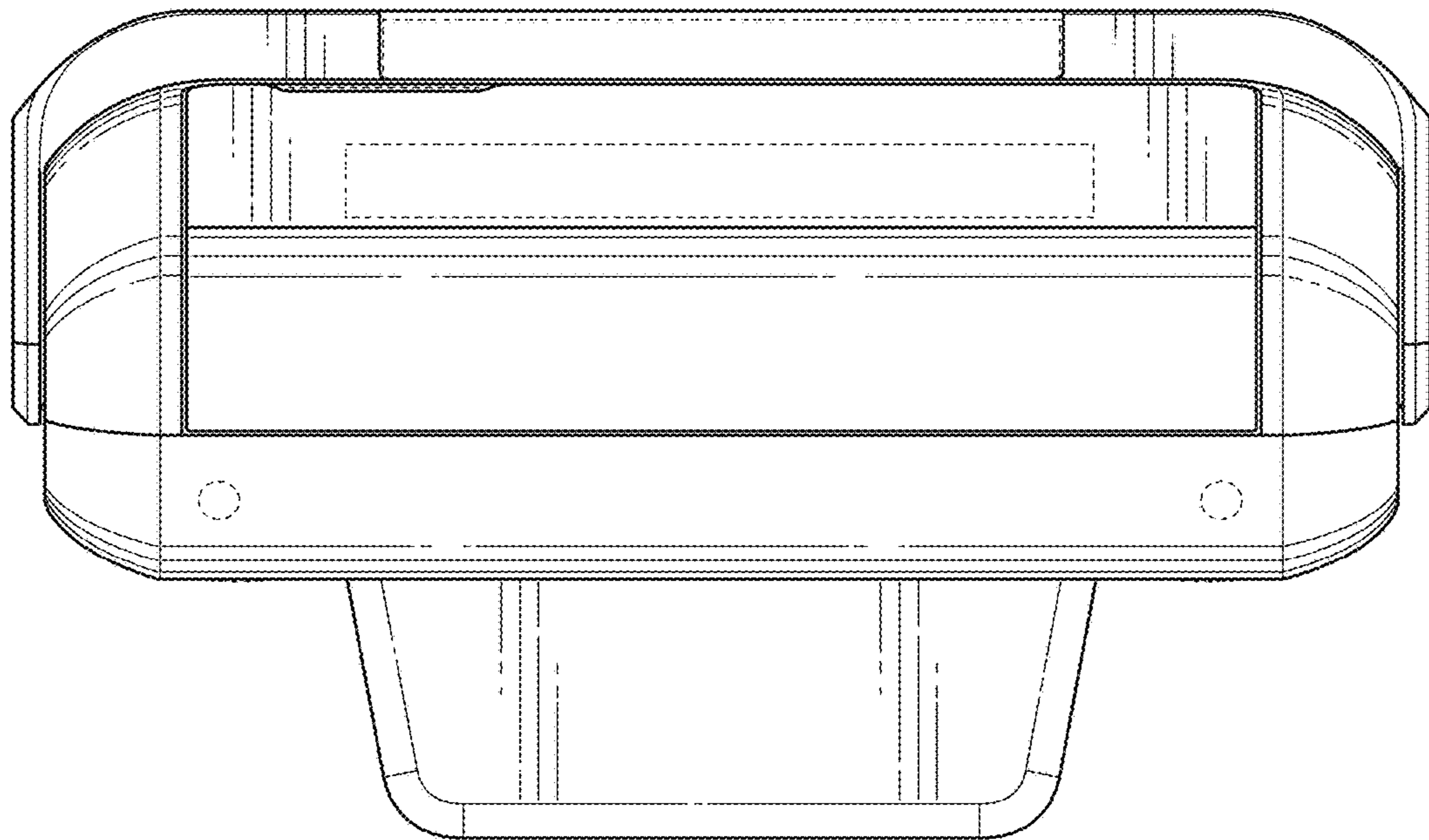


FIG. 6

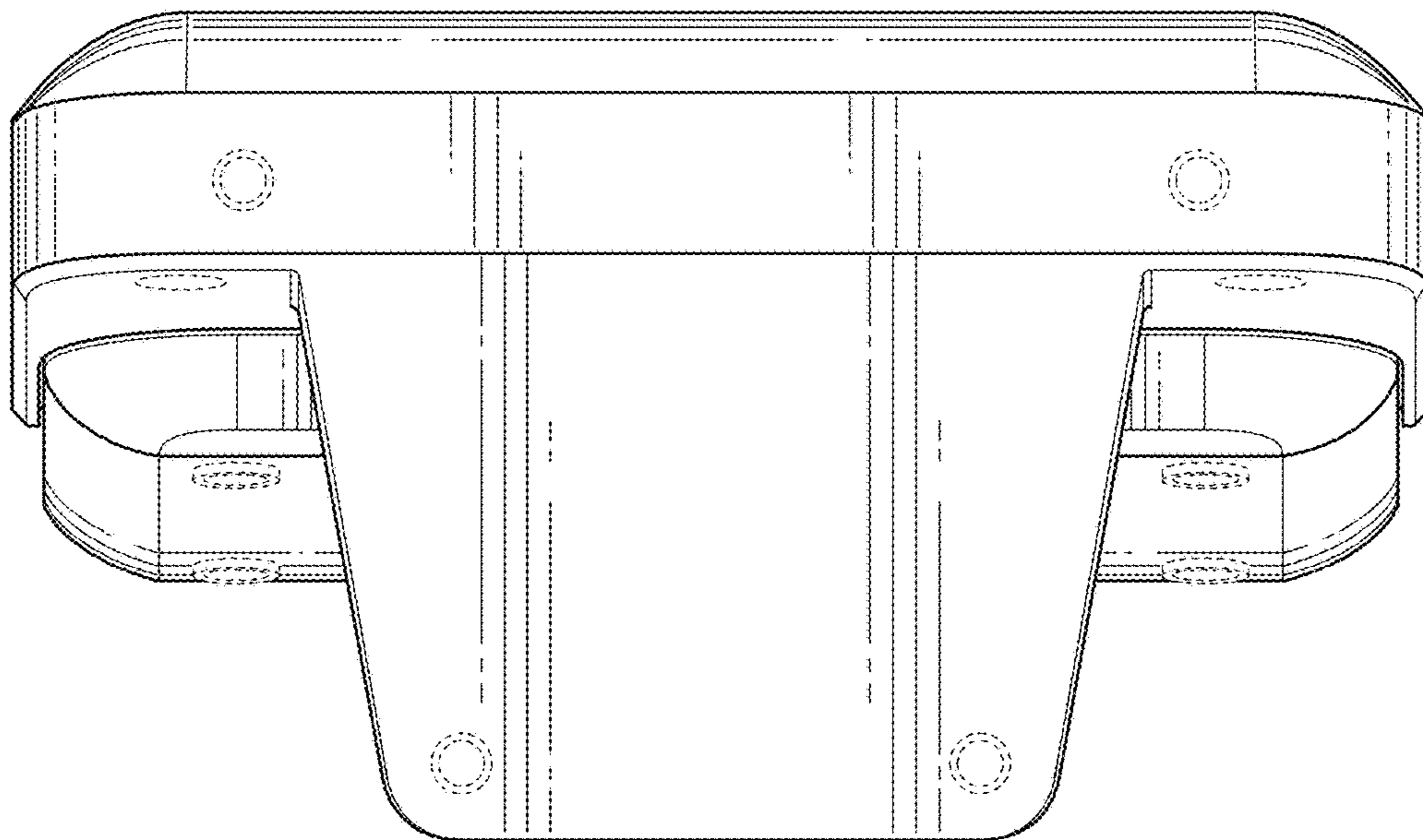


FIG. 7



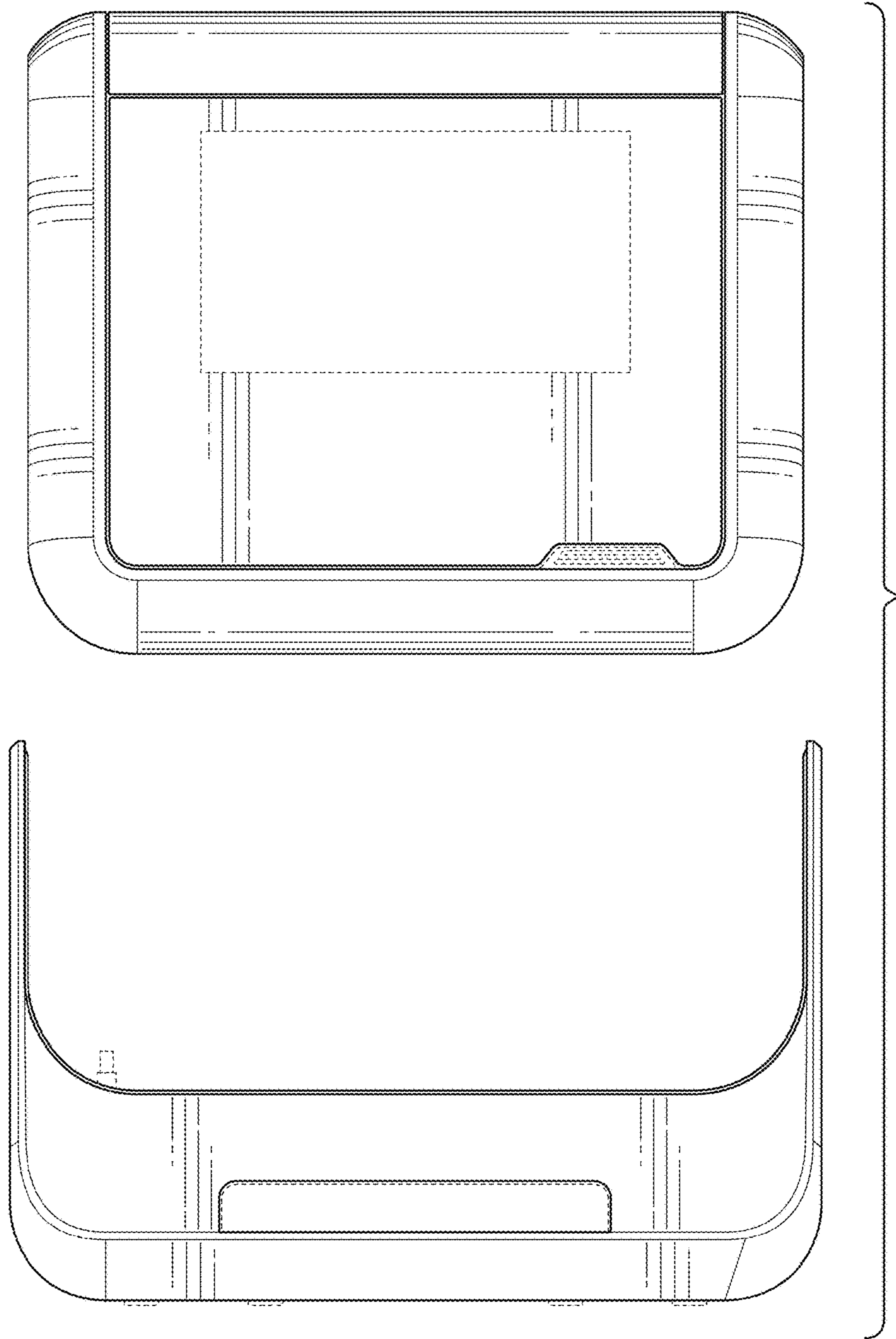


FIG. 8