



US00D783167S

(12) **United States Design Patent**
Falkenberg

(10) **Patent No.:** **US D783,167 S**

(45) **Date of Patent:** **** Apr. 4, 2017**

- (54) **ENLARGED FLANGE**
- (71) Applicant: **Atos Medical AB**, Hörby (SE)
- (72) Inventor: **Richard Falkenberg**, Hörby (SE)
- (73) Assignee: **Atos Medical AB** (SE)
- (**) Term: **14 Years**
- (21) Appl. No.: **29/492,694**
- (22) Filed: **Jun. 2, 2014**
- (51) **LOC (10) Cl.** **24-02**
- (52) **U.S. Cl.**
USPC **D24/155**
- (58) **Field of Classification Search**
USPC D24/155–157, 128
CPC .. A61F 5/448; A61F 5/443; A61F 2/20; A61F
2/203; A61F 2013/00978; A61F
2013/00825; A61F 2013/00868; A61F
2005/4483; A61F 13/12; A61M 16/0468;
A61M 1/0088; A61M 27/00
See application file for complete search history.

- 5,000,741 A * 3/1991 Kalt A61F 13/023
128/200.26
- 5,004,464 A * 4/1991 Leise, Jr. A61F 5/445
604/338
- 5,134,000 A * 7/1992 Smythe B29C 61/10
138/104
- 5,501,678 A * 3/1996 Olsen A61F 5/443
604/344
- 5,580,346 A * 12/1996 Spier A61F 15/004
128/888
- 5,718,696 A * 2/1998 Kollerup A61F 5/443
604/332
- 5,738,095 A * 4/1998 Persson A61F 2/20
128/201.13
- 6,197,010 B1 * 3/2001 Leise, Jr. A61F 5/443
604/338
- 6,673,056 B2 * 1/2004 Metz A61F 5/448
604/332
- D516,212 S * 2/2006 Persson D24/128
(Continued)

Primary Examiner — Charles Hanson
(74) *Attorney, Agent, or Firm* — Fishman Stewart PLLC

(57) **CLAIM**

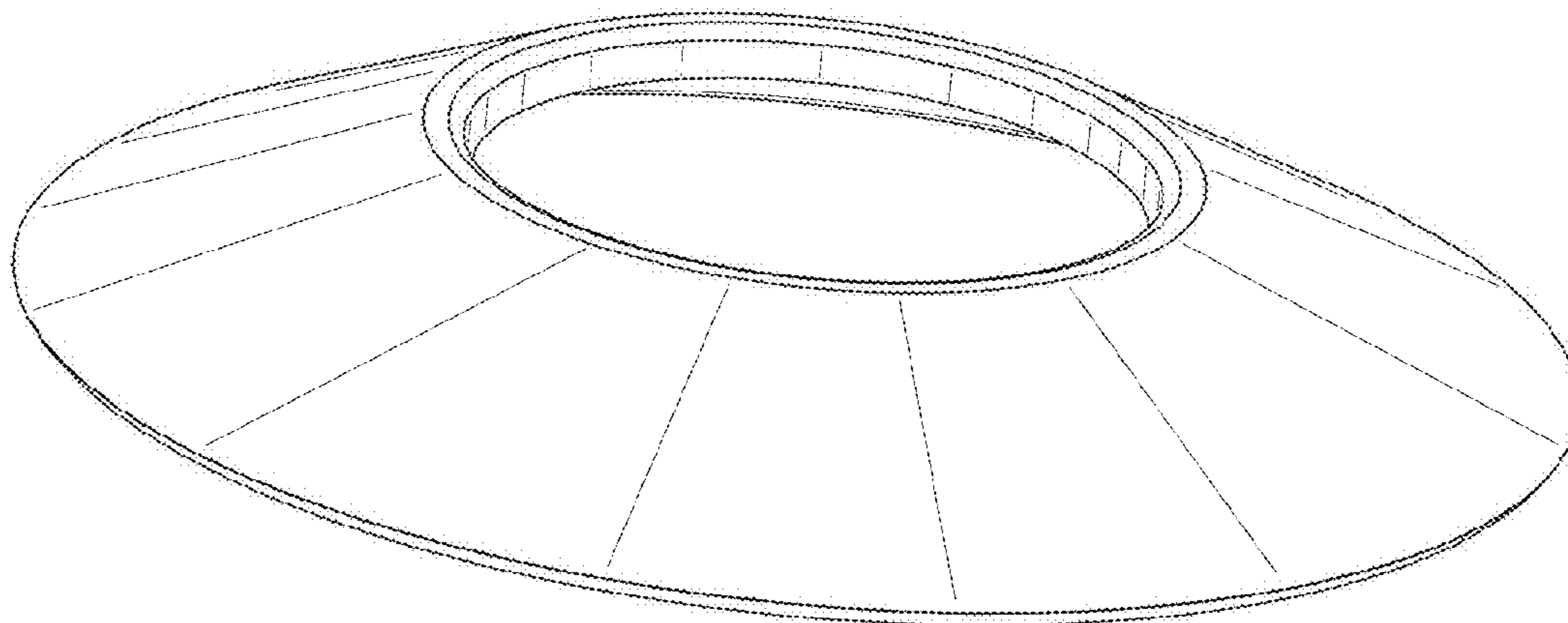
The ornamental design for an enlarged flange, as shown and described.

DESCRIPTION

FIG. 1 is a perspective view of an enlarged flange; FIG. 2 is a side view of an enlarged flange; FIG. 3 is a top view of an enlarged flange; FIG. 4 is a bottom view of an enlarged flange; and, FIG. 5 is a side view of an enlarged flange attached to an unclaimed prosthetic device. The broken lines in the FIGS. are included for the purpose of illustrating environment and form no part of the claimed design.

1 Claim, 4 Drawing Sheets

- (56) **References Cited**
U.S. PATENT DOCUMENTS
- 3,814,648 A * 6/1974 Brondberg A61F 5/443
156/253
- 4,142,521 A * 3/1979 Konikoff A61F 13/02
307/400
- 4,778,446 A * 10/1988 Jensen A61M 27/00
604/27
- 4,834,731 A * 5/1989 Nowak A61F 5/448
604/339
- 4,890,608 A * 1/1990 Steer A61F 5/443
602/52
- 4,917,691 A * 4/1990 Briggs A61F 5/448
604/339



(56)

References Cited

U.S. PATENT DOCUMENTS

7,025,784 B1 * 4/2006 Blom A61F 2/20
623/14.11
D533,660 S * 12/2006 Persson D24/128
D539,424 S * 3/2007 Persson D24/128
9,220,517 B2 * 12/2015 Lang A61B 17/1739
2013/0192604 A1 * 8/2013 Persson A61M 16/047
128/207.16

* cited by examiner

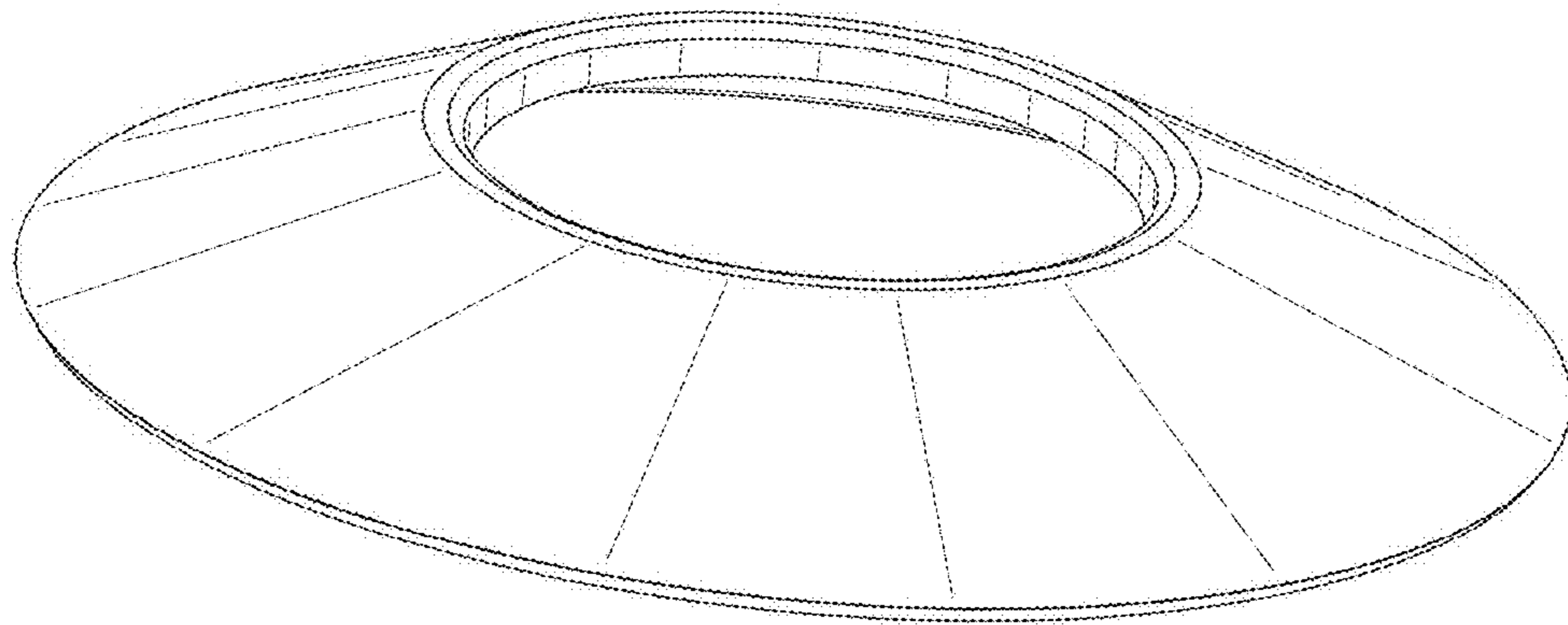


FIG. 1

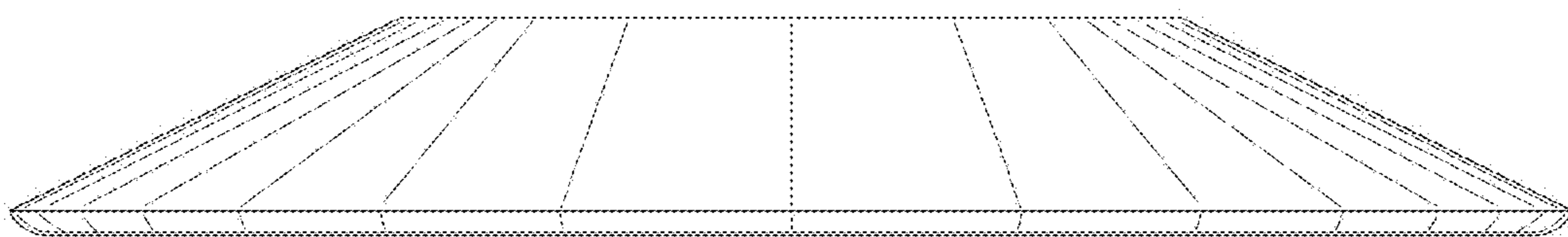


FIG. 2

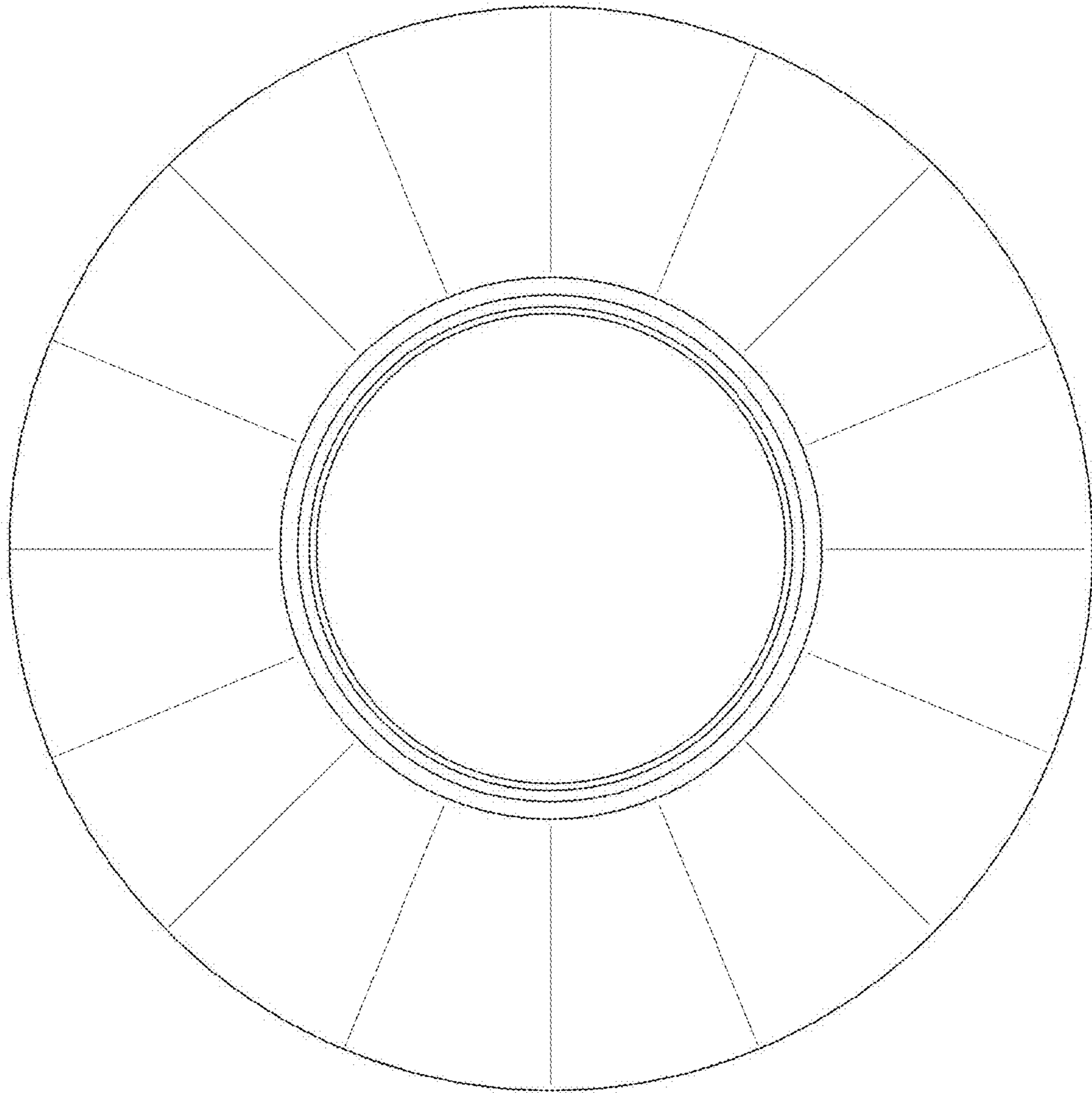


FIG. 3

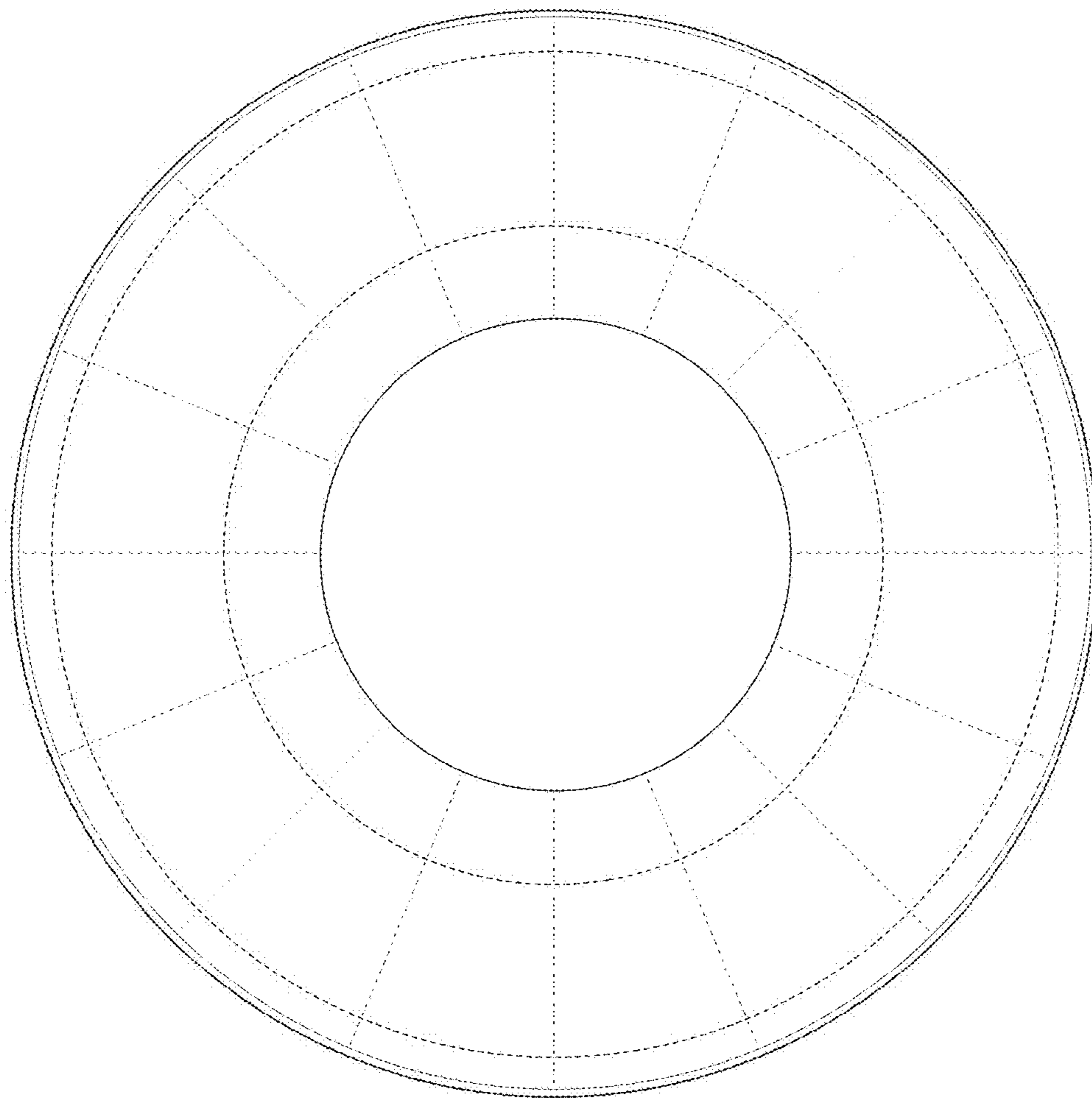


FIG. 4

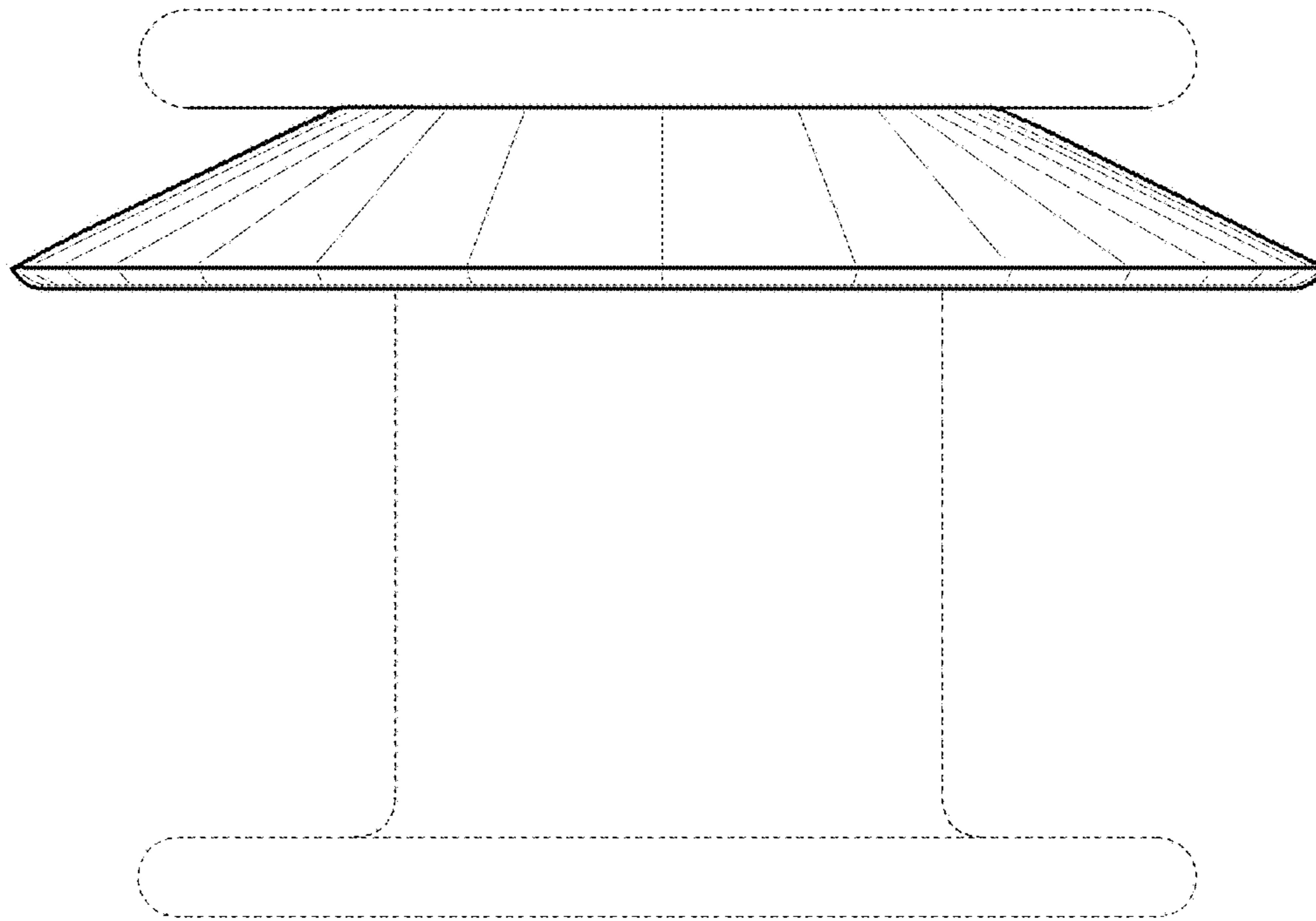


FIG. 5

UNITED STATES PATENT AND TRADEMARK OFFICE
CERTIFICATE OF CORRECTION

PATENT NO. : D783,167 S
APPLICATION NO. : 29/492694
DATED : April 4, 2017
INVENTOR(S) : Richard Falkenberg

Page 1 of 1

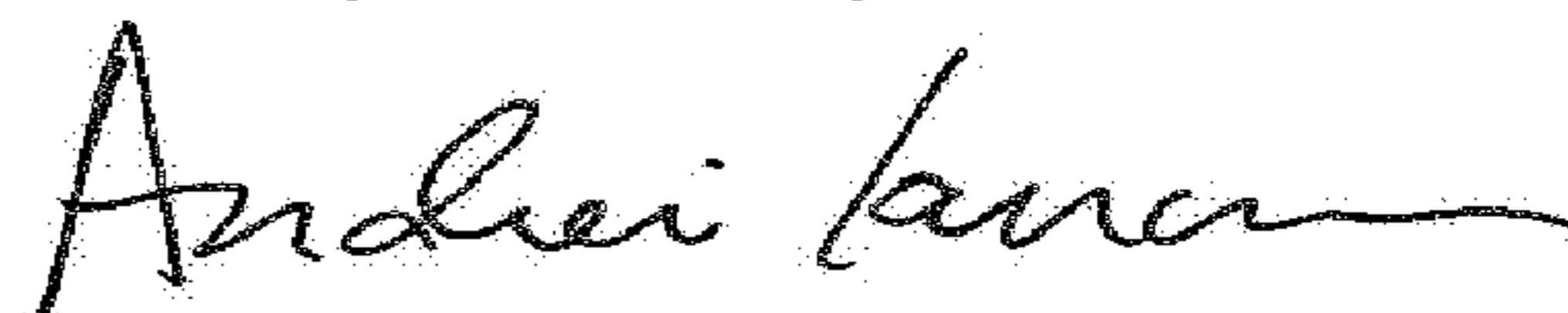
It is certified that error appears in the above-identified patent and that said Letters Patent is hereby corrected as shown below:

On the Title Page

The Foreign Application Priority Data is missing. Please add the missing priority information as follows:

March 12, 2014 (EM) 002423855

Signed and Sealed this
Twenty-sixth Day of June, 2018



Andrei Iancu
Director of the United States Patent and Trademark Office