



US00D783162S

(12) **United States Design Patent**
Griffith

(10) **Patent No.:** **US D783,162 S**

(45) **Date of Patent:** **** Apr. 4, 2017**

- (54) **FINGER TAB**
- (71) Applicant: **Avent, Inc.**, Alpharetta, GA (US)
- (72) Inventor: **Nathan Griffith**, Johns Creek, GA (US)
- (73) Assignee: **Avent, Inc.**, Alpharetta, GA (US)
- (**) Term: **15 Years**
- (21) Appl. No.: **29/561,670**
- (22) Filed: **Apr. 19, 2016**
- (51) **LOC (10) Cl.** **24-02**
- (52) **U.S. Cl.**
USPC **D24/129**
- (58) **Field of Classification Search**
USPC D24/127-131, 112-114, 133, 186;
606/181, 185; 604/264, 523-528, 272,
604/187, 158, 164.01-164.11, 181, 184,
604/227; 600/101, 139, 143; 128/200.24,
128/207.14, 207.15
CPC .. A61M 25/065; A61M 5/42; A61M 25/0612;
A61M 25/00; A61M 39/00; A61M 27/00;
A61M 25/0043; A61M 25/0067; A61M
25/0097; A61F 2/958
See application file for complete search history.

- 8,038,667 B2 * 10/2011 Racz A61M 5/158
604/167.02
- 8,092,414 B2 * 1/2012 Schnell A61M 1/3639
210/741
- D663,022 S * 7/2012 Lombardi, III D24/129
- D673,267 S * 12/2012 Hardman D24/129
- 8,348,928 B2 * 1/2013 Guala A61M 39/045
128/912
- 8,622,972 B2 * 1/2014 Nystrom A61M 25/06
604/167.03
- 8,647,300 B2 * 2/2014 Kunzler A61M 1/0088
604/110
- D716,444 S * 10/2014 Khalaj D24/128
- 8,911,408 B2 * 12/2014 Lynch A61M 5/14244
604/164.01
- 8,992,508 B2 * 3/2015 Arduini A61M 39/10
604/533

* cited by examiner

Primary Examiner — David Muller
(74) *Attorney, Agent, or Firm* — Dority & Manning, P.A.

(57) **CLAIM**

The ornamental design for a finger tab, as shown and described.

DESCRIPTION

FIG. 1 is a front, right perspective view of the finger tab; FIG. 2 is a front elevation view thereof; FIG. 3 is a right side elevation view thereof; FIG. 4 is a rear elevation view thereof; FIG. 5 is a top plan view thereof; and, FIG. 6 is a bottom plan view thereof.

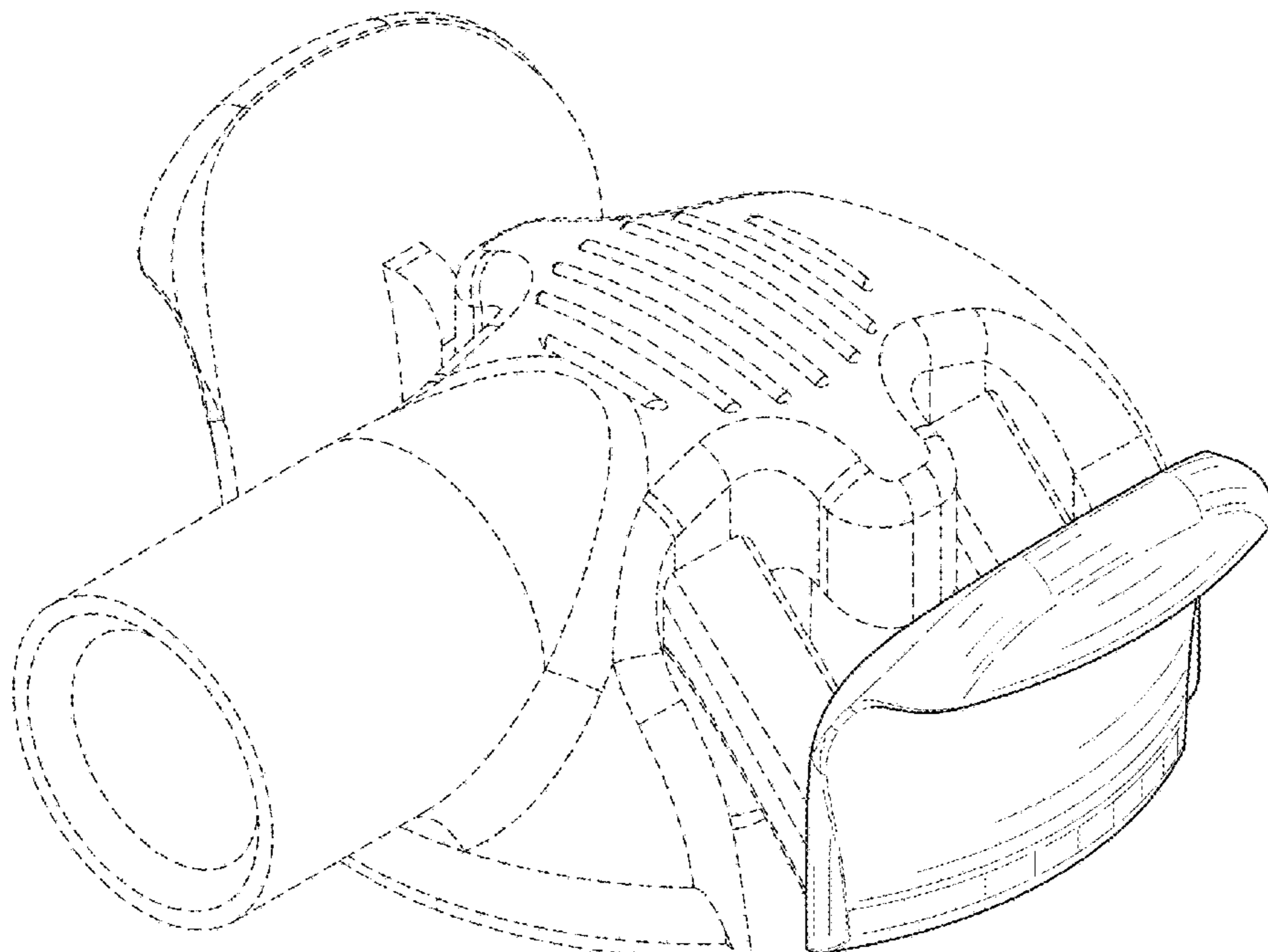
The features shown in broken lines depict environmental structure only and form no part of the claimed design.

1 Claim, 4 Drawing Sheets

(56) **References Cited**

U.S. PATENT DOCUMENTS

- 5,178,612 A * 1/1993 Fenton, Jr. A61M 39/0208
285/136.1
- 6,997,914 B2 * 2/2006 Smith A61M 39/0208
604/175
- D596,288 S * 7/2009 Racz D24/129



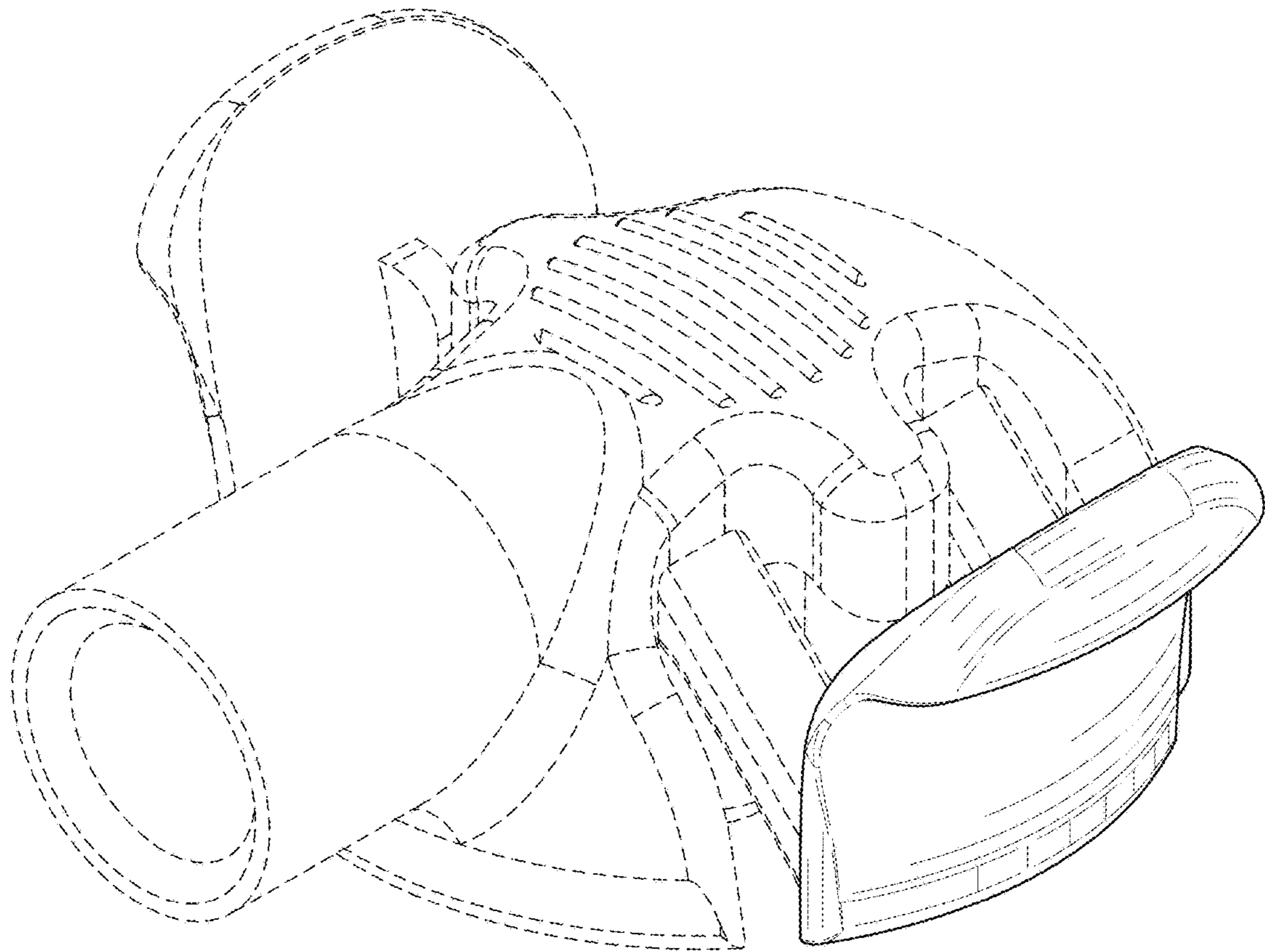


FIG. 1

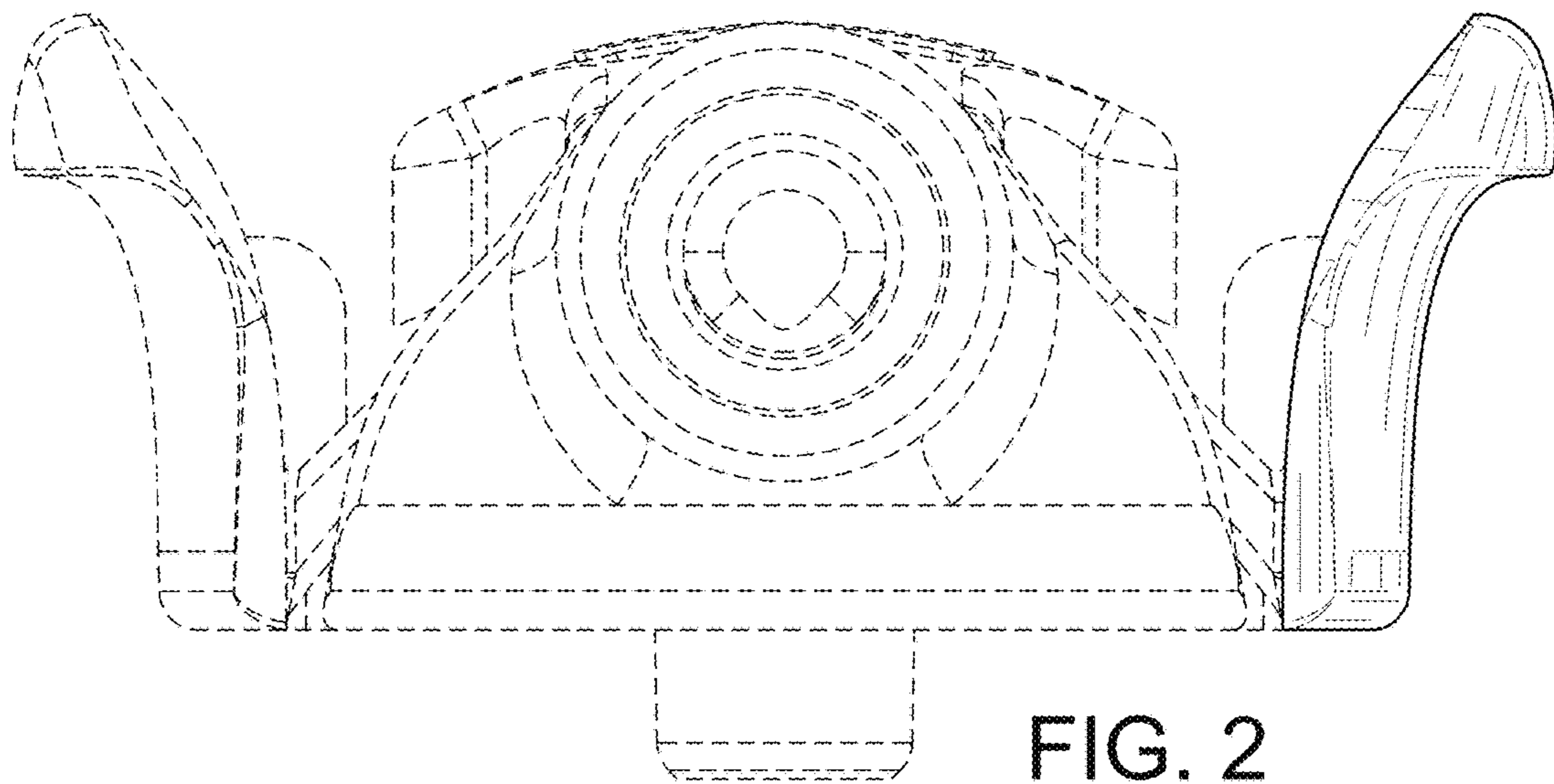


FIG. 2

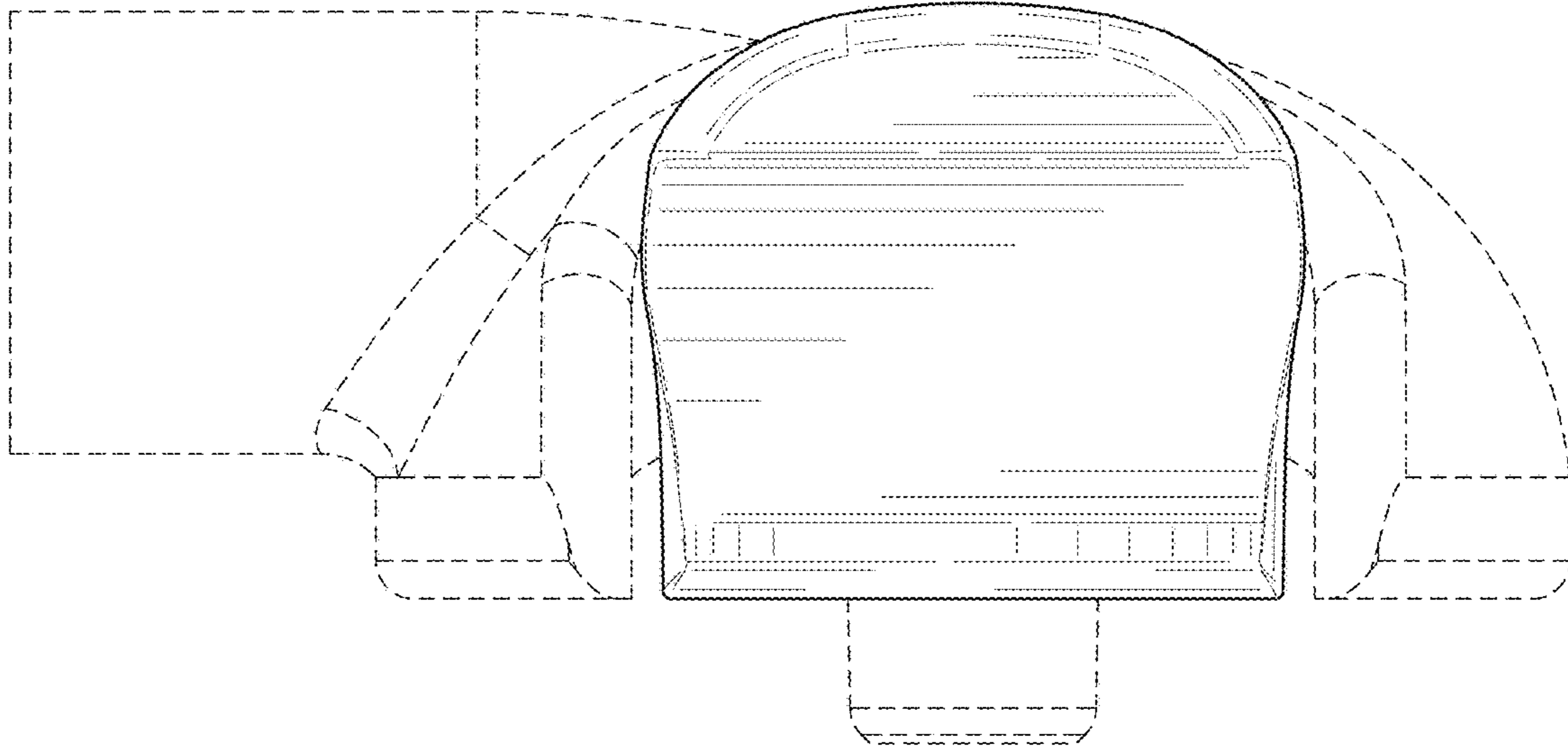


FIG. 3

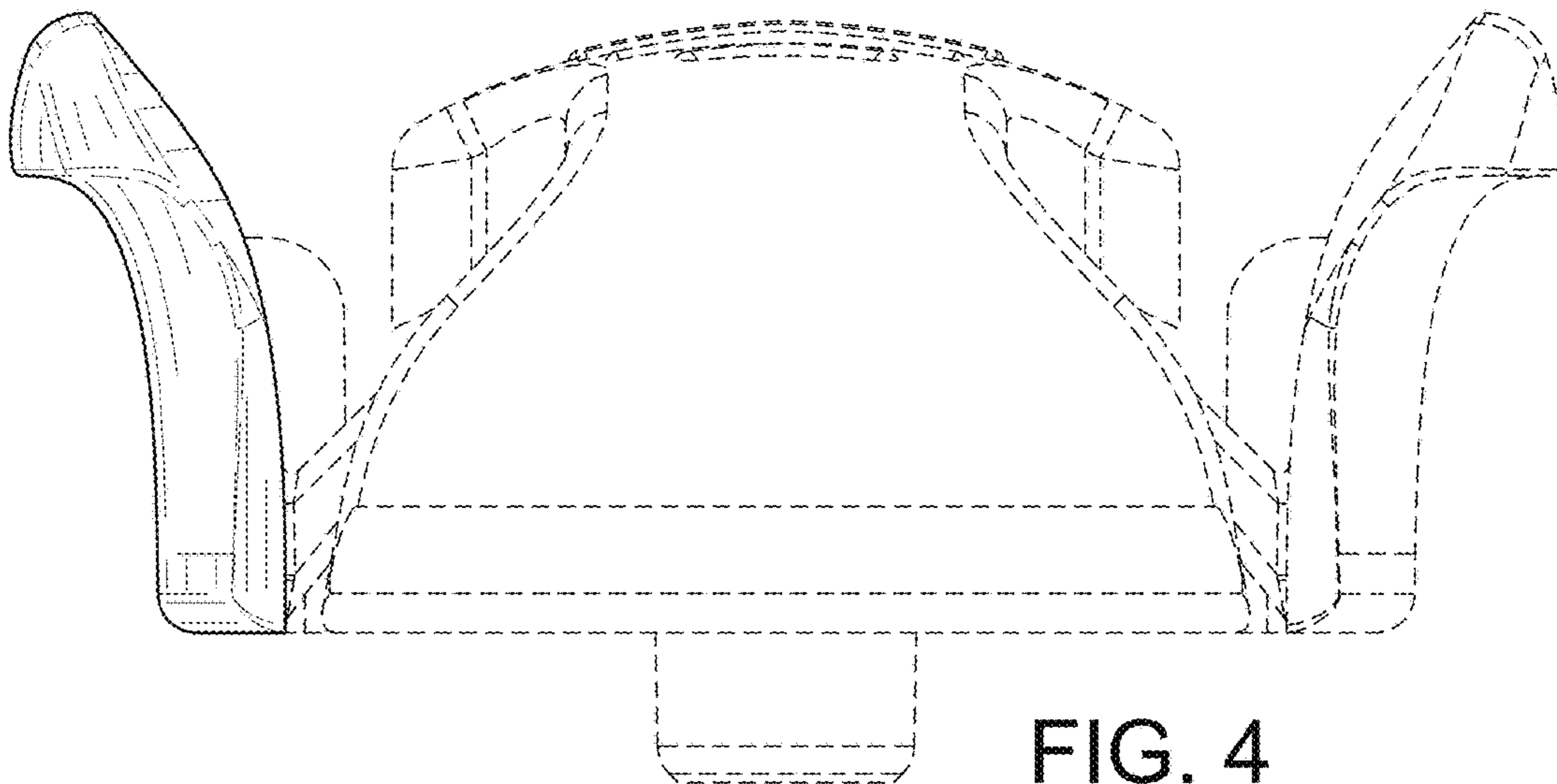


FIG. 4

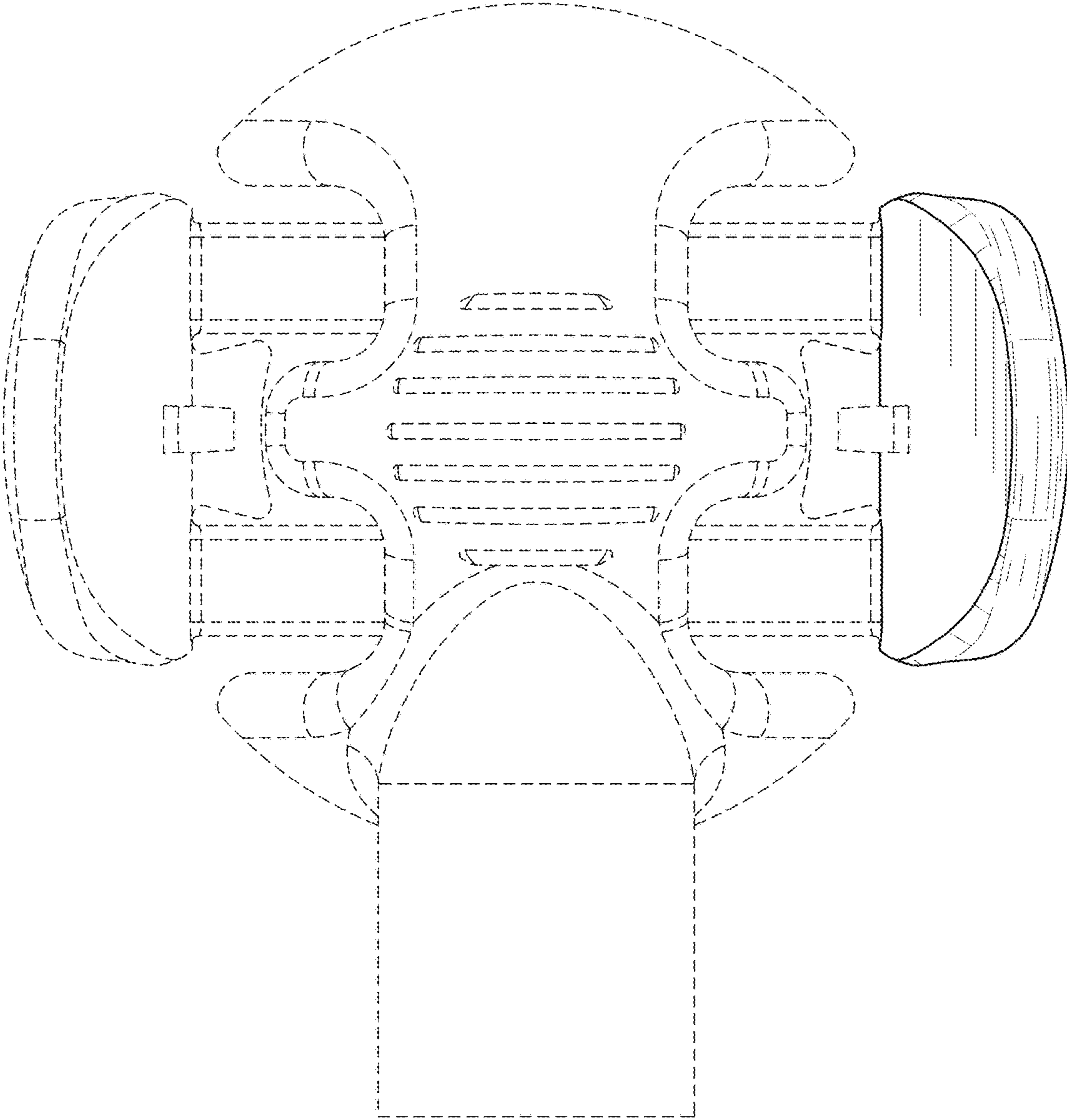


FIG. 5

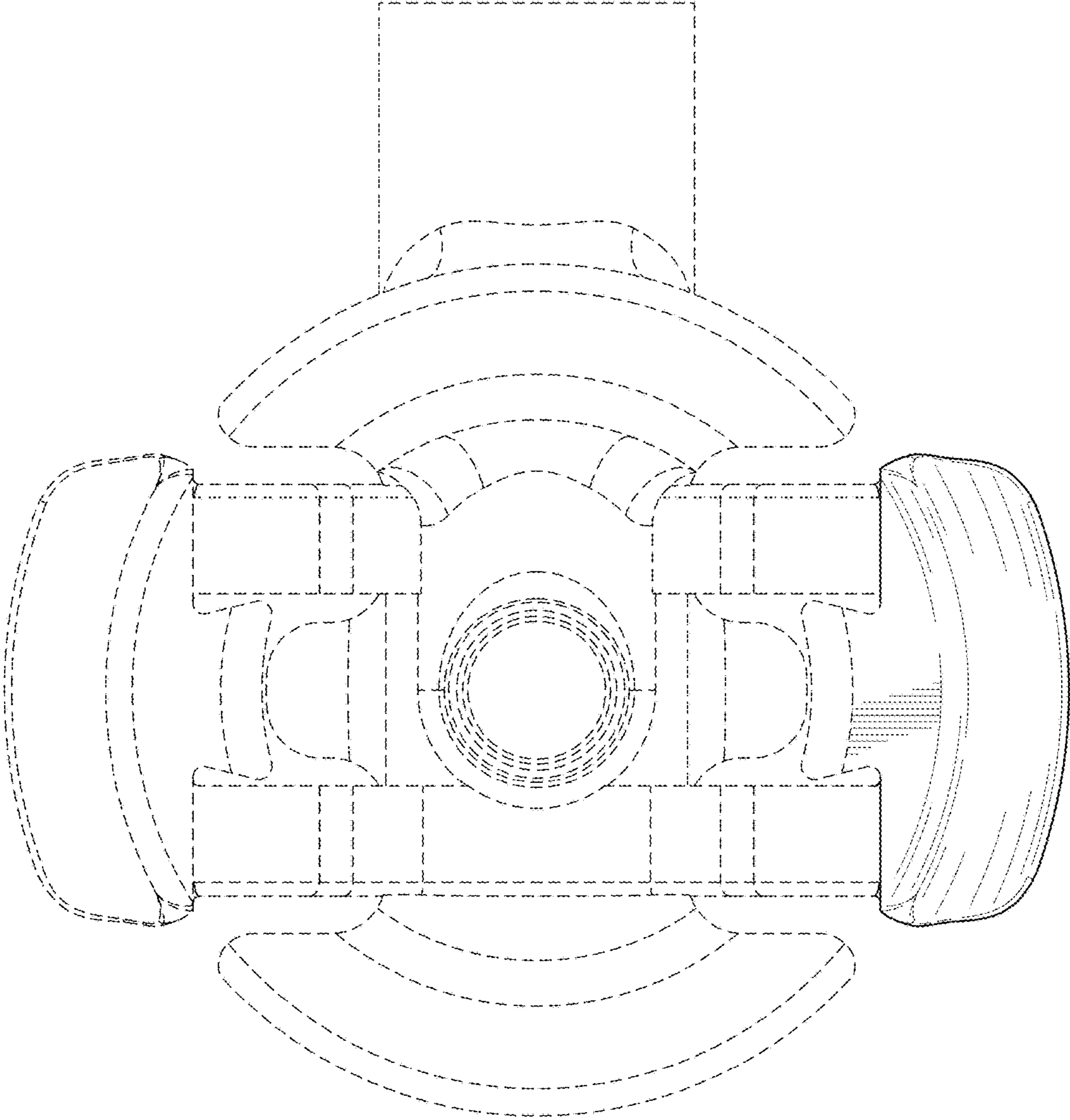


FIG. 6