



US00D783161S

(12) **United States Design Patent**  
**Griffith**

(10) **Patent No.:** **US D783,161 S**

(45) **Date of Patent:** **\*\* Apr. 4, 2017**

- (54) **CATHETER CONNECTOR SURFACE**
- (71) Applicant: **Avent, Inc.**, Alpharetta, GA (US)
- (72) Inventor: **Nathan Griffith**, Johns Creek, GA (US)
- (73) Assignee: **Avent, Inc.**, Alpharetta, GA (US)
- (\*\*) Term: **15 Years**
- (21) Appl. No.: **29/561,667**
- (22) Filed: **Apr. 19, 2016**
- (51) **LOC (10) Cl.** ..... **24-02**
- (52) **U.S. Cl.**  
USPC ..... **D24/129**
- (58) **Field of Classification Search**  
USPC ..... D24/127–131, 112–114, 133, 186;  
606/181, 185; 604/533, 264, 523–528,  
604/272, 187, 158, 164.01–164.11, 181,  
604/184, 227; 600/101, 139, 143;  
128/200.24, 207.14, 207.15  
CPC .. A61M 25/065; A61M 5/42; A61M 25/0612;  
A61M 25/00; A61M 39/00; A61M 27/00;  
A61M 25/0043; A61M 25/0067; A61M  
25/0097; A61F 2/958  
See application file for complete search history.

- 8,038,667 B2 \* 10/2011 Racz ..... A61M 5/158  
604/167.02
- 8,092,414 B2 \* 1/2012 Schnell ..... A61M 1/3639  
210/741
- D663,022 S \* 7/2012 Lombardi, III ..... D24/129
- D673,267 S \* 12/2012 Hardman ..... D24/129
- 8,348,928 B2 \* 1/2013 Guala ..... A61M 39/045  
128/912
- 8,622,972 B2 \* 1/2014 Nystrom ..... A61M 25/06  
604/167.03
- 8,647,300 B2 \* 2/2014 Kunzler ..... A61M 1/0088  
604/110
- D716,444 S \* 10/2014 Khalaj ..... D24/128
- 8,911,408 B2 \* 12/2014 Lynch ..... A61M 5/14244  
604/164.01
- 8,992,508 B2 \* 3/2015 Arduini ..... A61M 39/10  
604/533

\* cited by examiner

*Primary Examiner* — David Muller  
(74) *Attorney, Agent, or Firm* — Dority & Manning, P.A.

(57) **CLAIM**

The ornamental design for a catheter connector surface, as shown and described.

**DESCRIPTION**

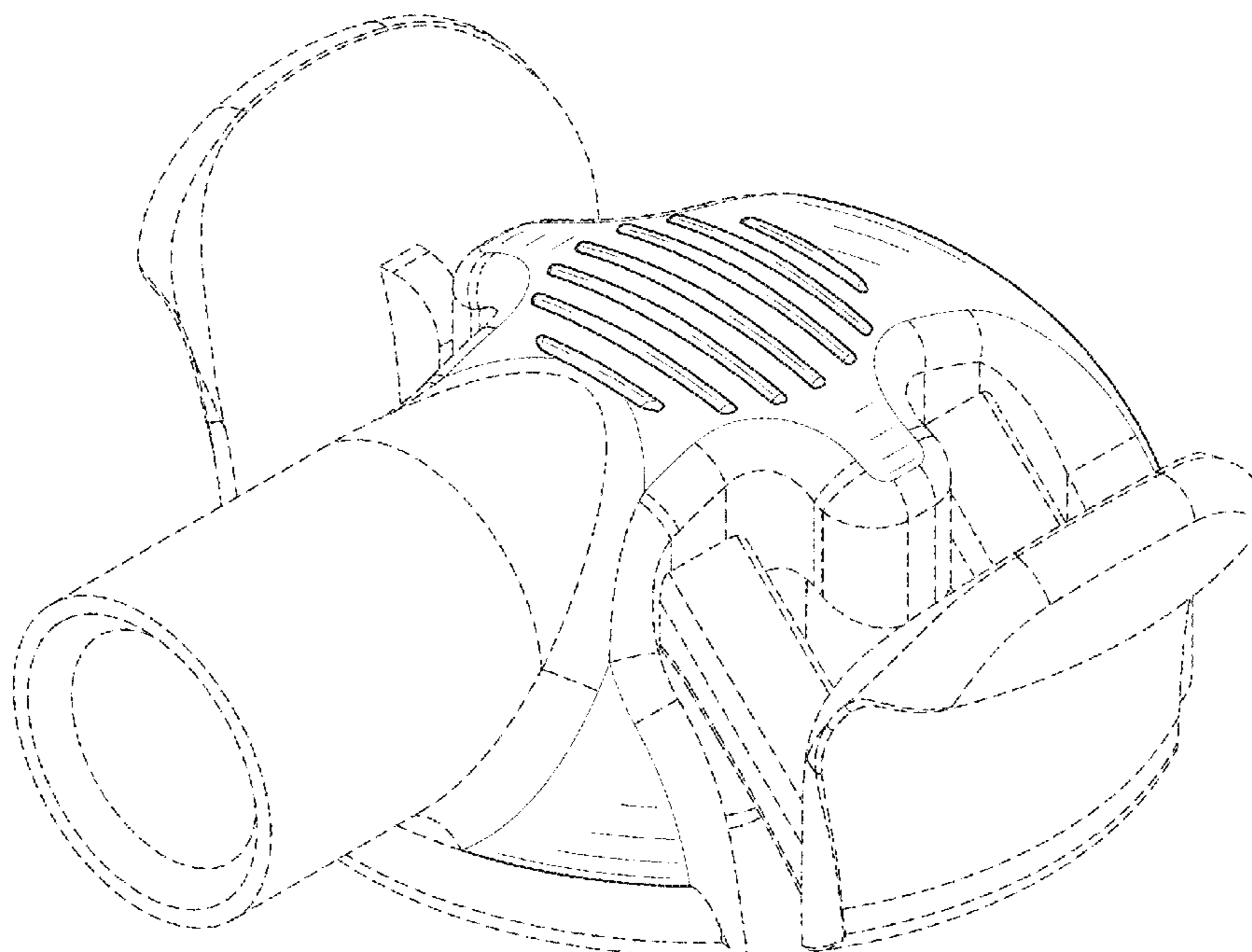
FIG. 1 is a front, right perspective view of the catheter connector surface;  
FIG. 2 is a front elevation view thereof;  
FIG. 3 is a right side elevation view thereof;  
FIG. 4 is a rear elevation view thereof; and,  
FIG. 5 is a top plan view thereof.  
The features shown in broken lines depict environmental structure only and form no part of the claimed design.

**1 Claim, 3 Drawing Sheets**

(56) **References Cited**

U.S. PATENT DOCUMENTS

- 5,178,612 A \* 1/1993 Fenton, Jr. .... A61M 39/0208  
285/136.1
- 6,997,914 B2 \* 2/2006 Smith ..... A61M 39/0208  
604/175
- D596,288 S \* 7/2009 Racz ..... D24/129



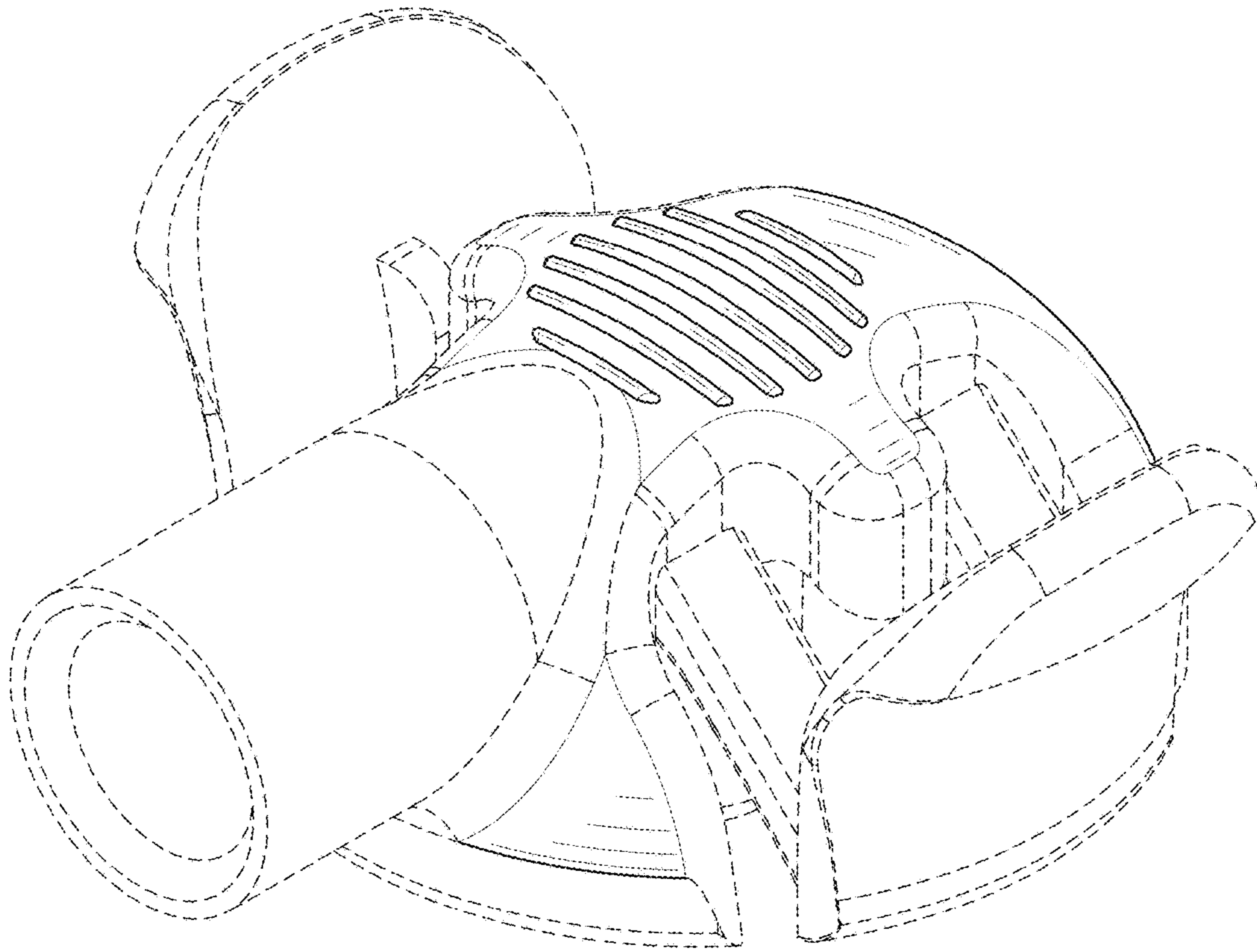


FIG. 1

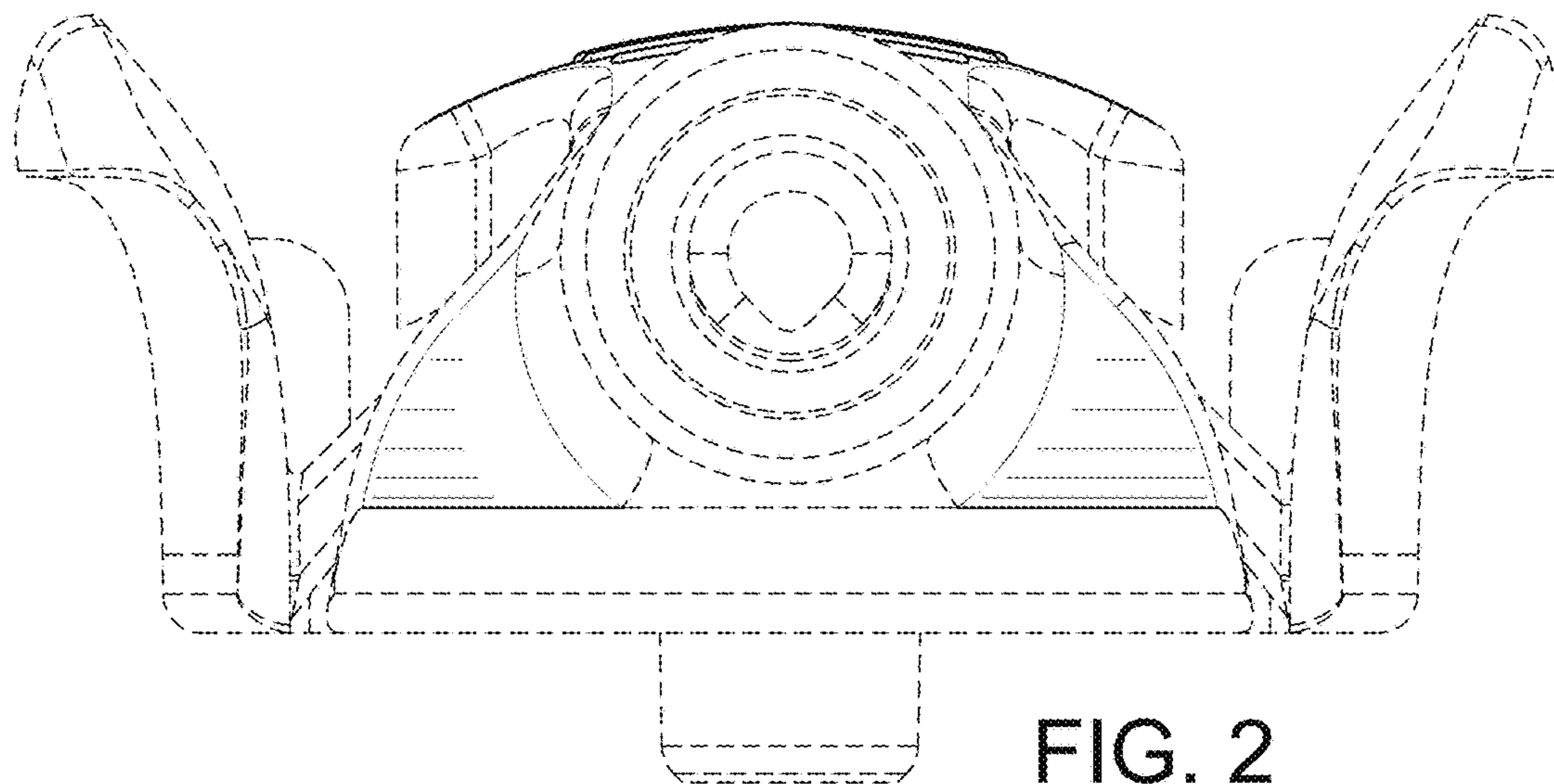


FIG. 2

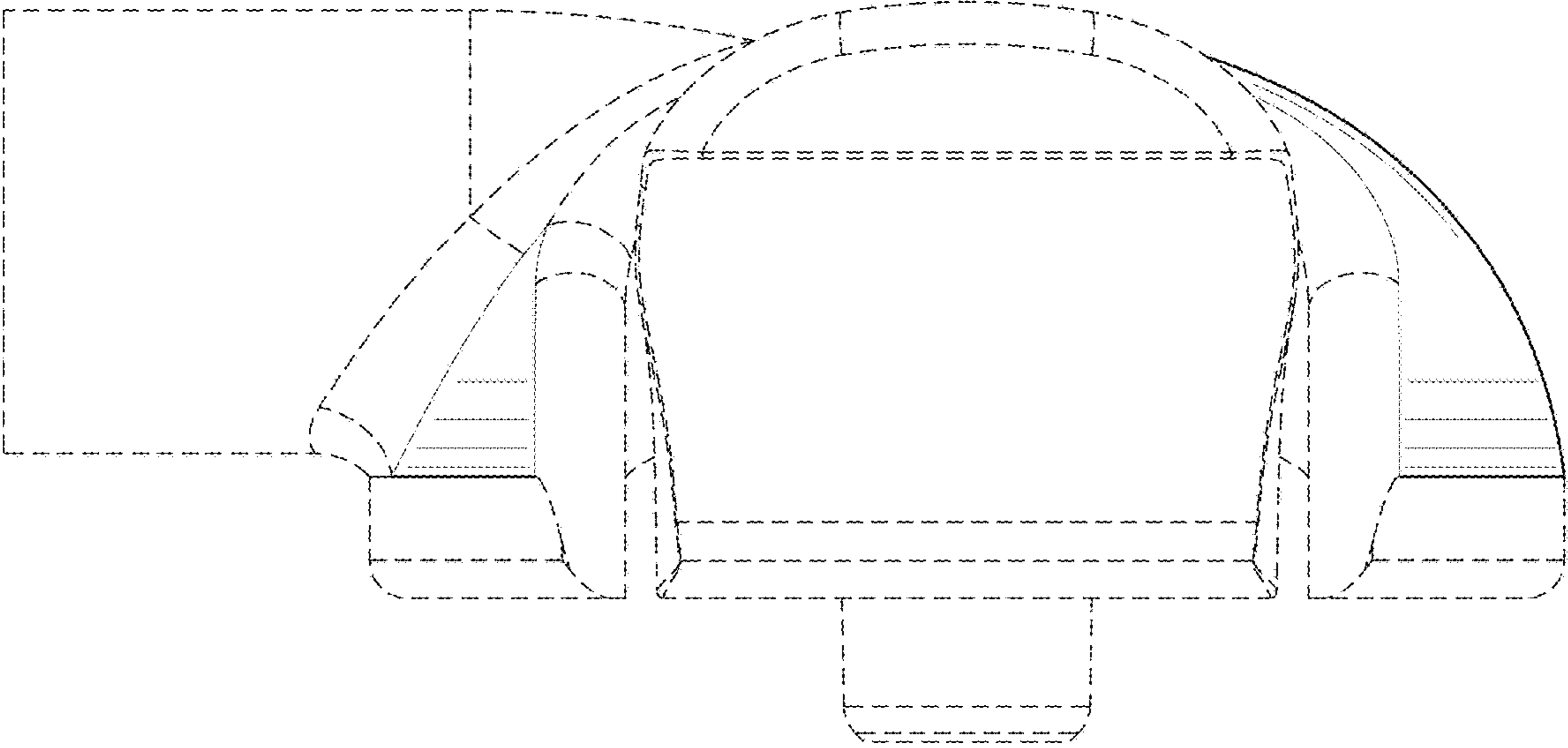


FIG. 3

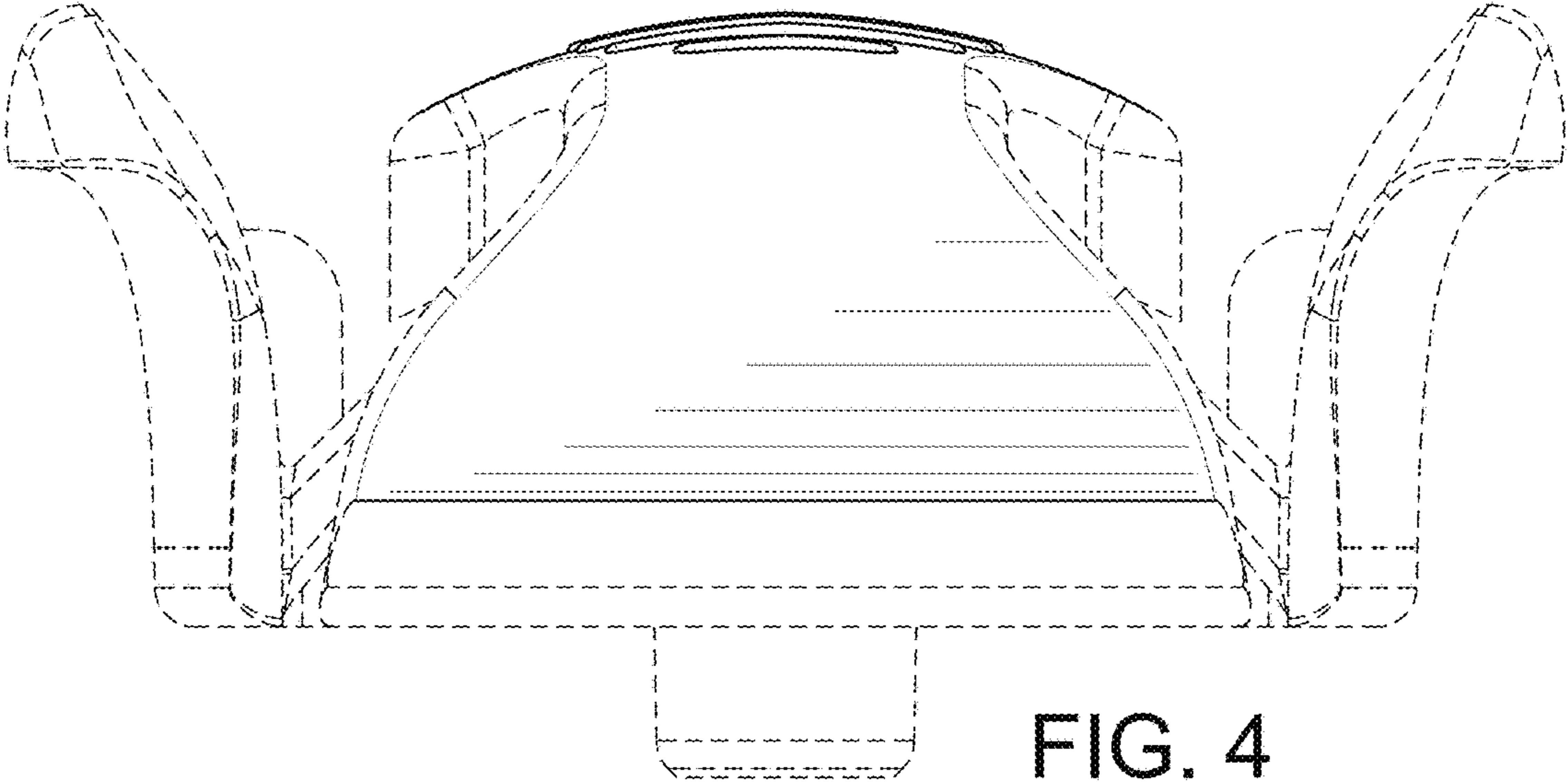


FIG. 4

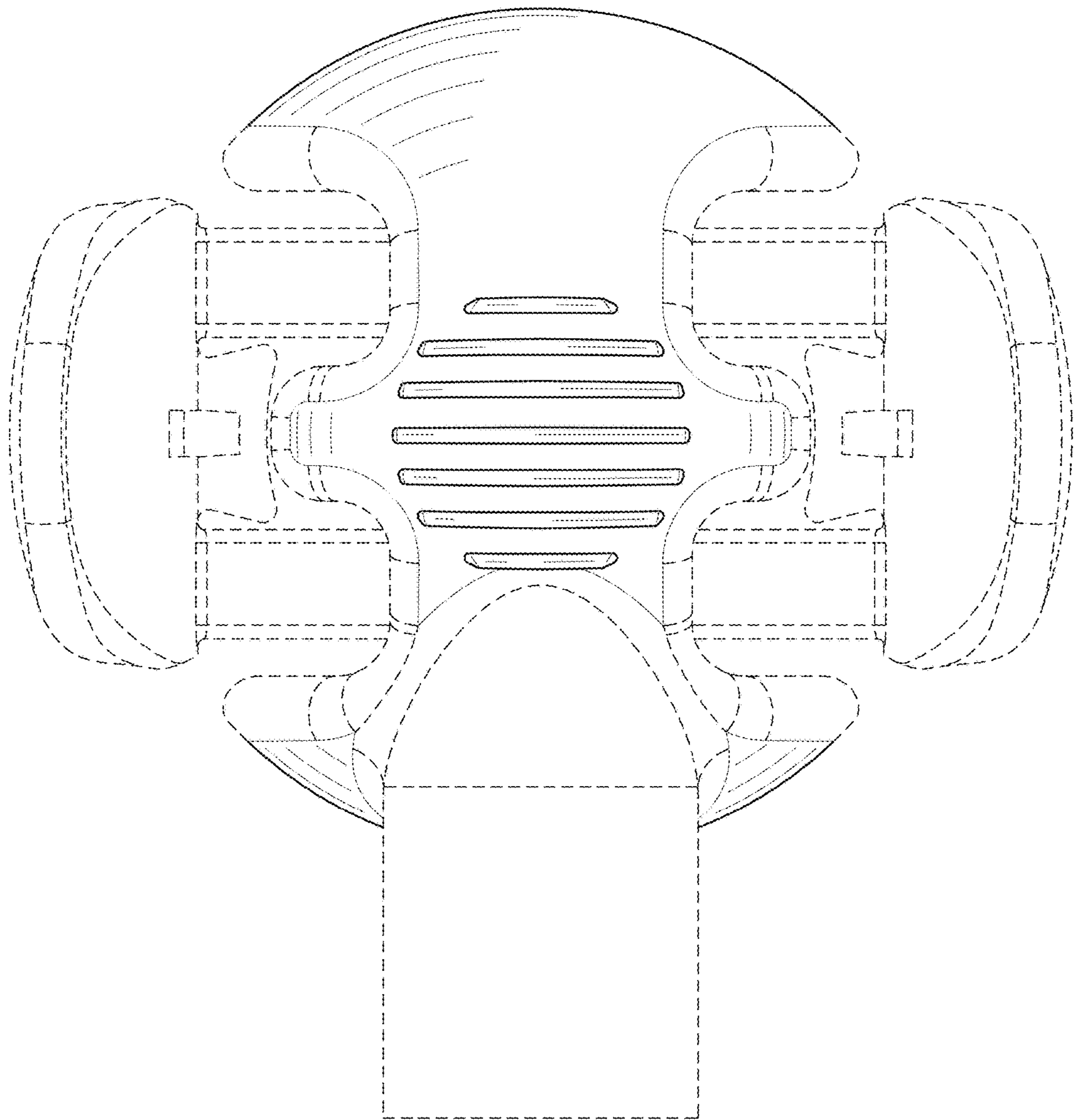


FIG. 5