



US00D783145S

(12) **United States Design Patent**  
**Wang**

(10) **Patent No.:** **US D783,145 S**

(45) **Date of Patent:** **\*\* Apr. 4, 2017**

(54) **CEILING FAN MOTOR HOUSING**

(71) Applicant: **YOUNGO LIMITED**, Hong Kong  
(CN)

(72) Inventor: **Cliff Wang**, Taichung (TW)

(73) Assignee: **YOUNGO LIMITED**, Hong Kong  
(CN)

(\*\*) Term: **15 Years**

(21) Appl. No.: **29/554,019**

(22) Filed: **Feb. 6, 2016**

(51) **LOC (10) Cl.** ..... **23-04**

(52) **U.S. Cl.**  
USPC ..... **D23/411**

(58) **Field of Classification Search**  
USPC ..... D23/370-387, 411-414, 365, 355, 342,  
D23/332, 328, 337, 335, 314, 393;  
415/60, 66, 68, 208.1, 213.1, 214.1,  
415/209.3; 310/257; 361/695;  
126/299 D, 299 R; D26/59, 89  
CPC ..... F01D 9/042; F04D 25/08; F04D 29/70;  
F04D 29/34; F04D 19/00; F24F 7/007;  
F24F 13/082; F24F 7/065; F24F 13/078  
See application file for complete search history.

(56) **References Cited**

**U.S. PATENT DOCUMENTS**

D678,499 S \* 3/2013 Pan ..... D23/411  
D690,410 S \* 9/2013 Passauer, III ..... D23/411

D705,970 S \* 5/2014 Ertze ..... D26/59  
D706,410 S \* 6/2014 Pan ..... D23/411  
D743,527 S \* 11/2015 Wang ..... D23/411  
D744,633 S \* 12/2015 Wang ..... D23/411  
D744,634 S \* 12/2015 Wang ..... D23/411  
D759,799 S \* 6/2016 Wang ..... D23/385  
D760,369 S \* 6/2016 Ertze ..... D23/385  
D771,794 S \* 11/2016 Wang ..... D23/411  
2008/0089791 A1 \* 4/2008 Cartwright ..... F04D 29/646  
416/244 R

\* cited by examiner

*Primary Examiner* — Susan Bennett Hattan

*Assistant Examiner* — Janice Hallmark

(74) *Attorney, Agent, or Firm* — Pai Patent & Trademark  
Law Firm; Chao-Chang David Pai

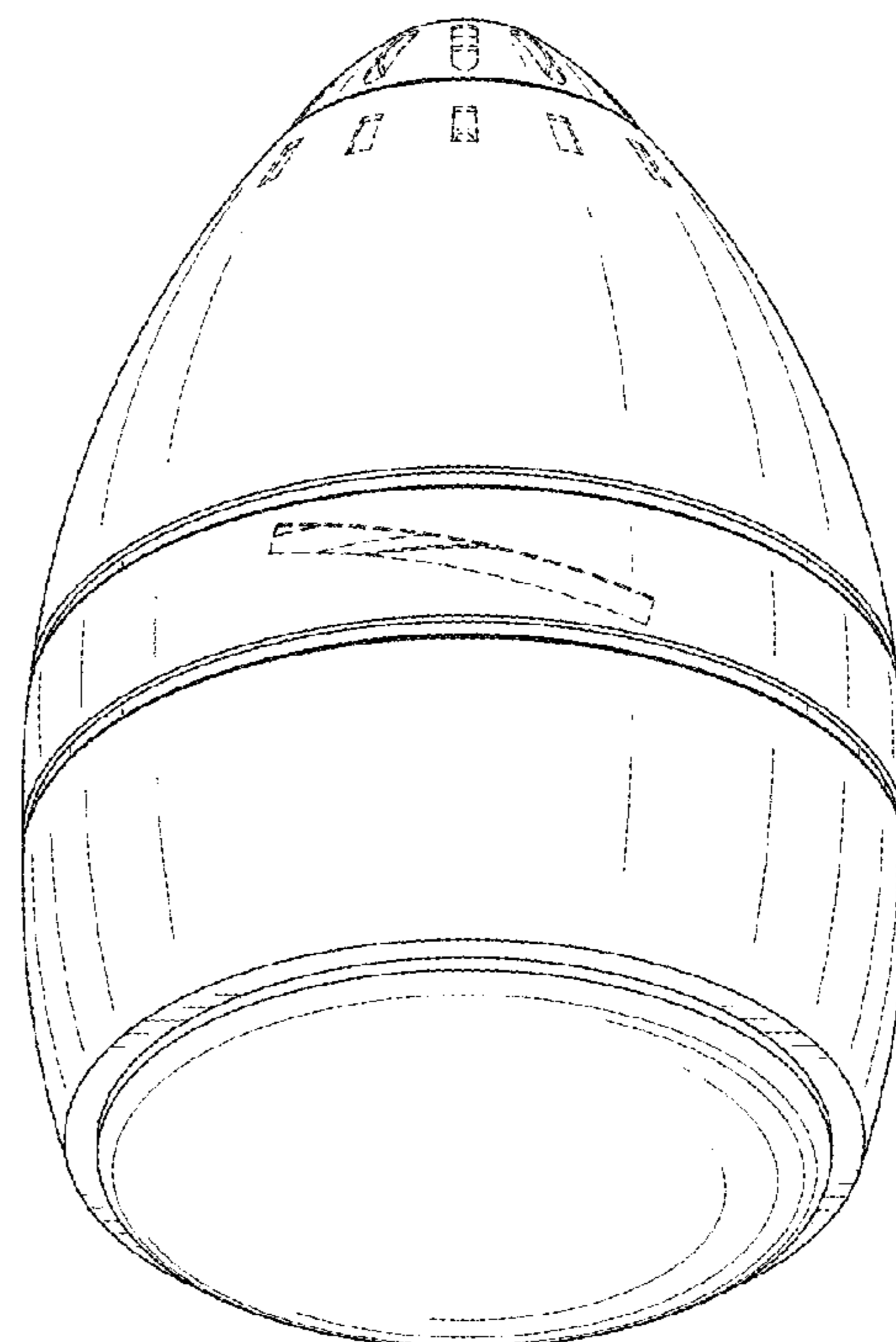
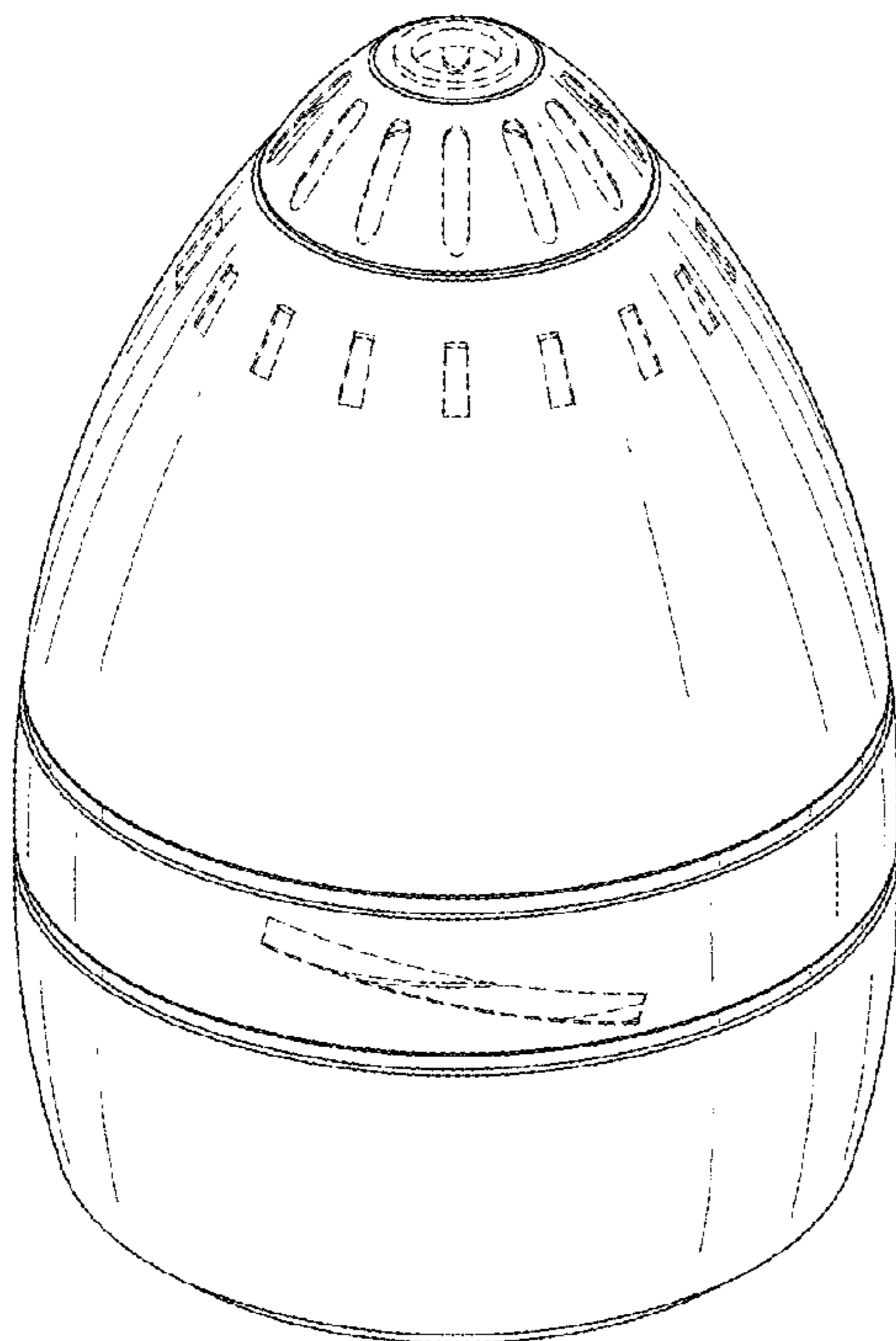
(57) **CLAIM**

The ornamental design for a ceiling fan motor housing, as  
shown and described.

**DESCRIPTION**

FIG. 1 is a front top perspective view of a ceiling fan motor  
housing showing my new design;  
FIG. 2 is a front elevational view thereof;  
FIG. 3 is a rear elevational view thereof;  
FIG. 4 is a left side elevational view thereof;  
FIG. 5 is a right side elevational view thereof;  
FIG. 6 is a top plan view thereof;  
FIG. 7 is a bottom plan view thereof; and,  
FIG. 8 is a front bottom perspective view thereof.  
The broken lines are for the purpose of illustrating environ-  
mental structure and form no part of the claimed design.

**1 Claim, 5 Drawing Sheets**



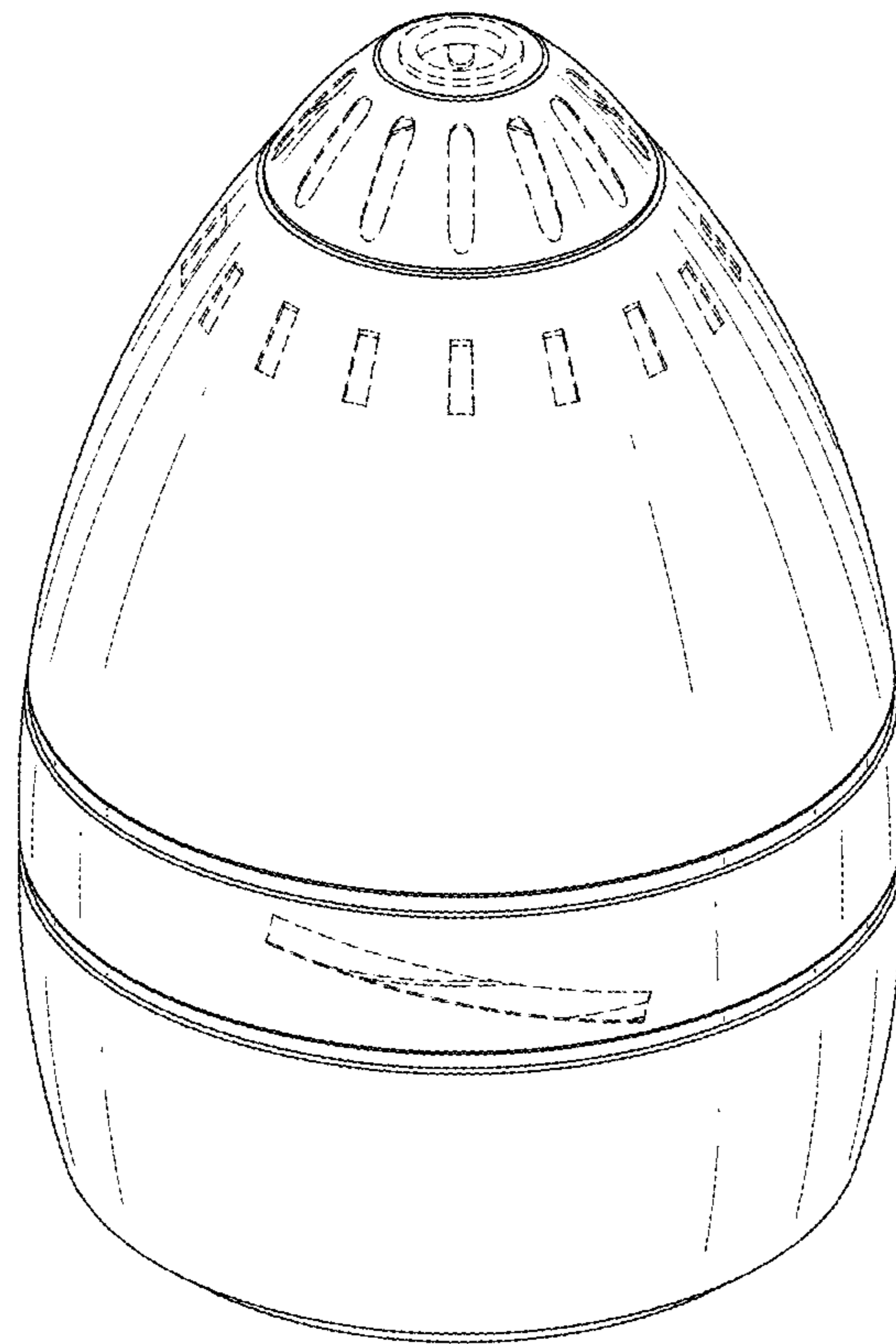


FIG. 1

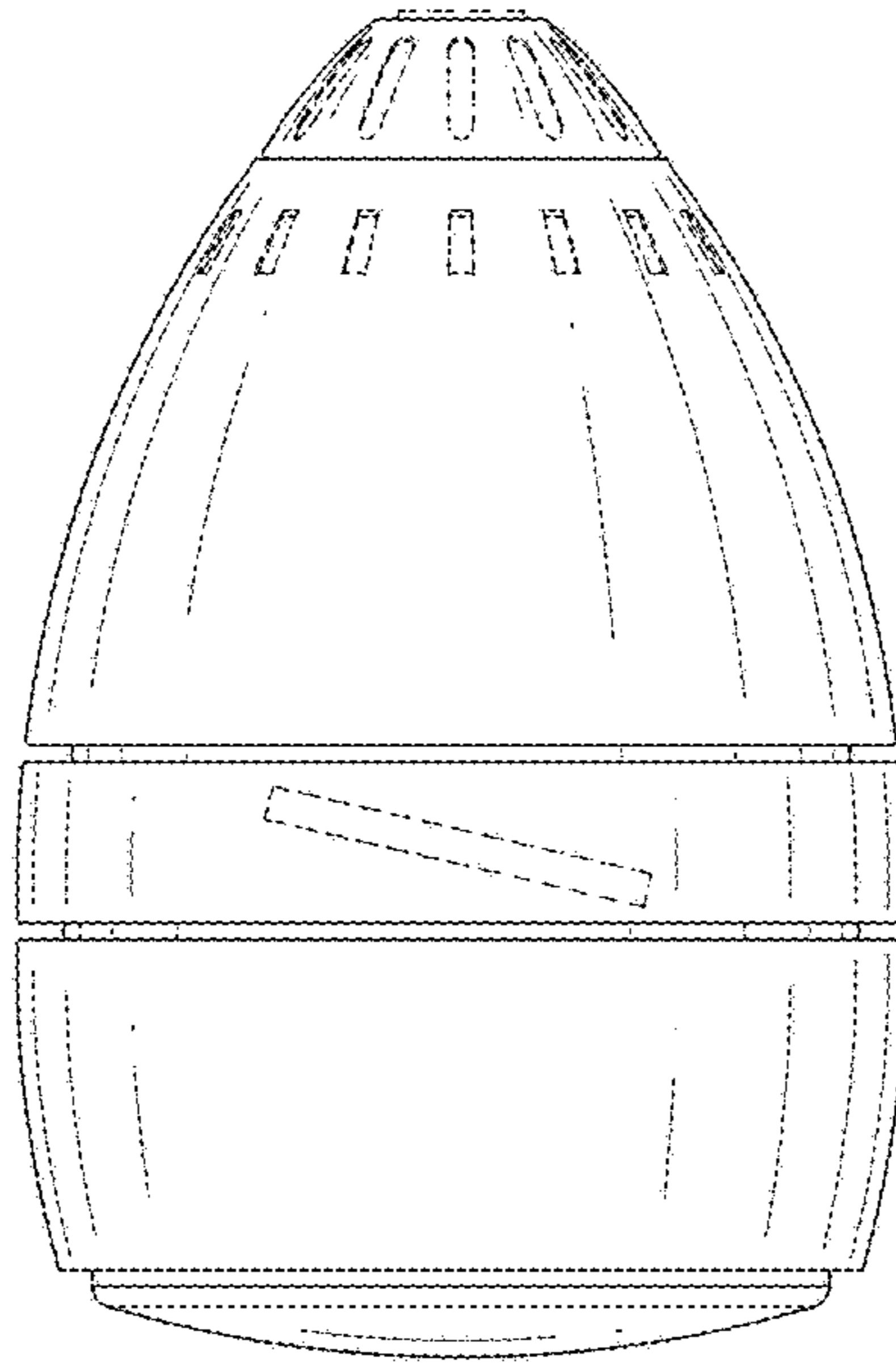


FIG. 2

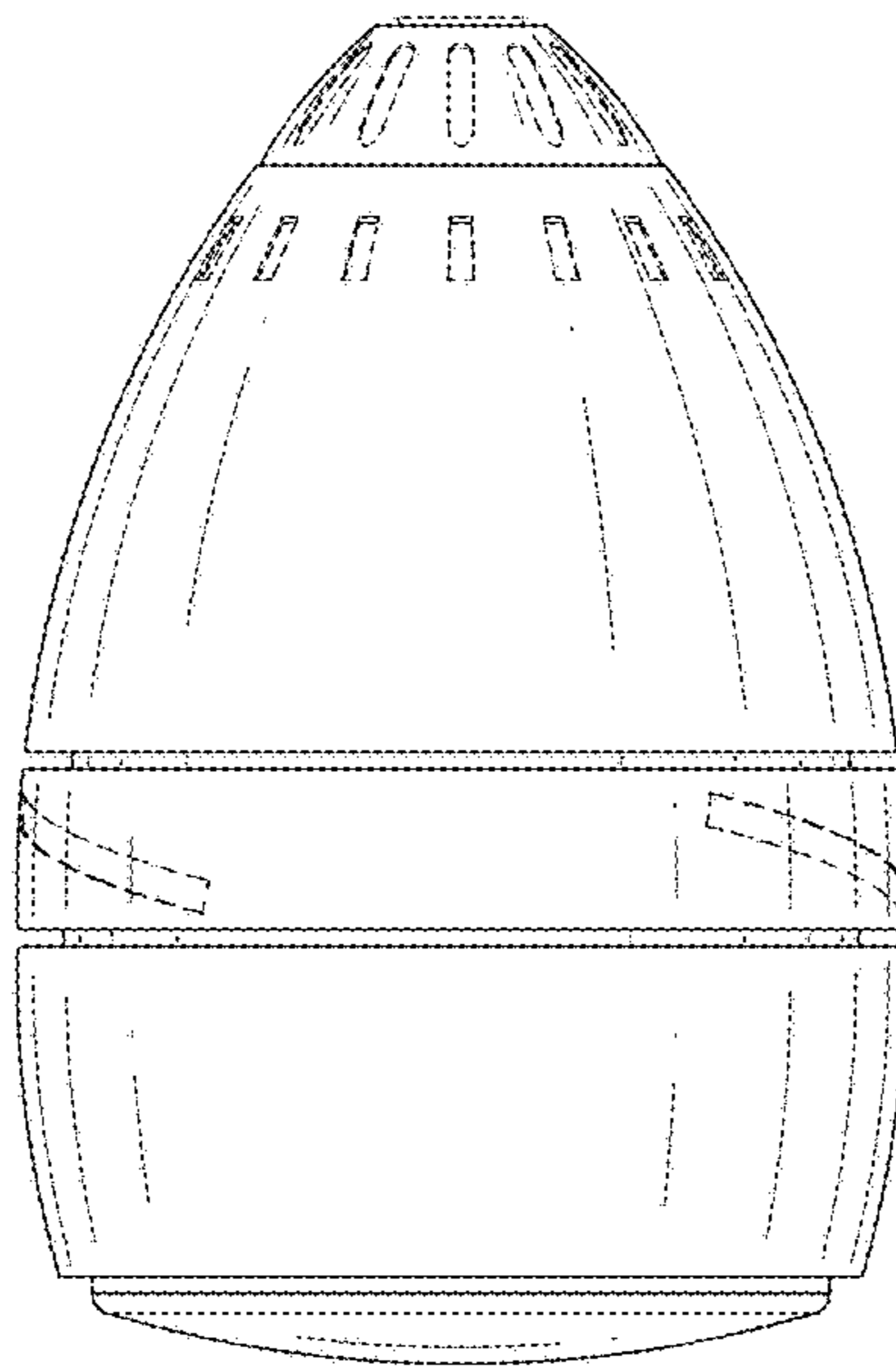


FIG. 3

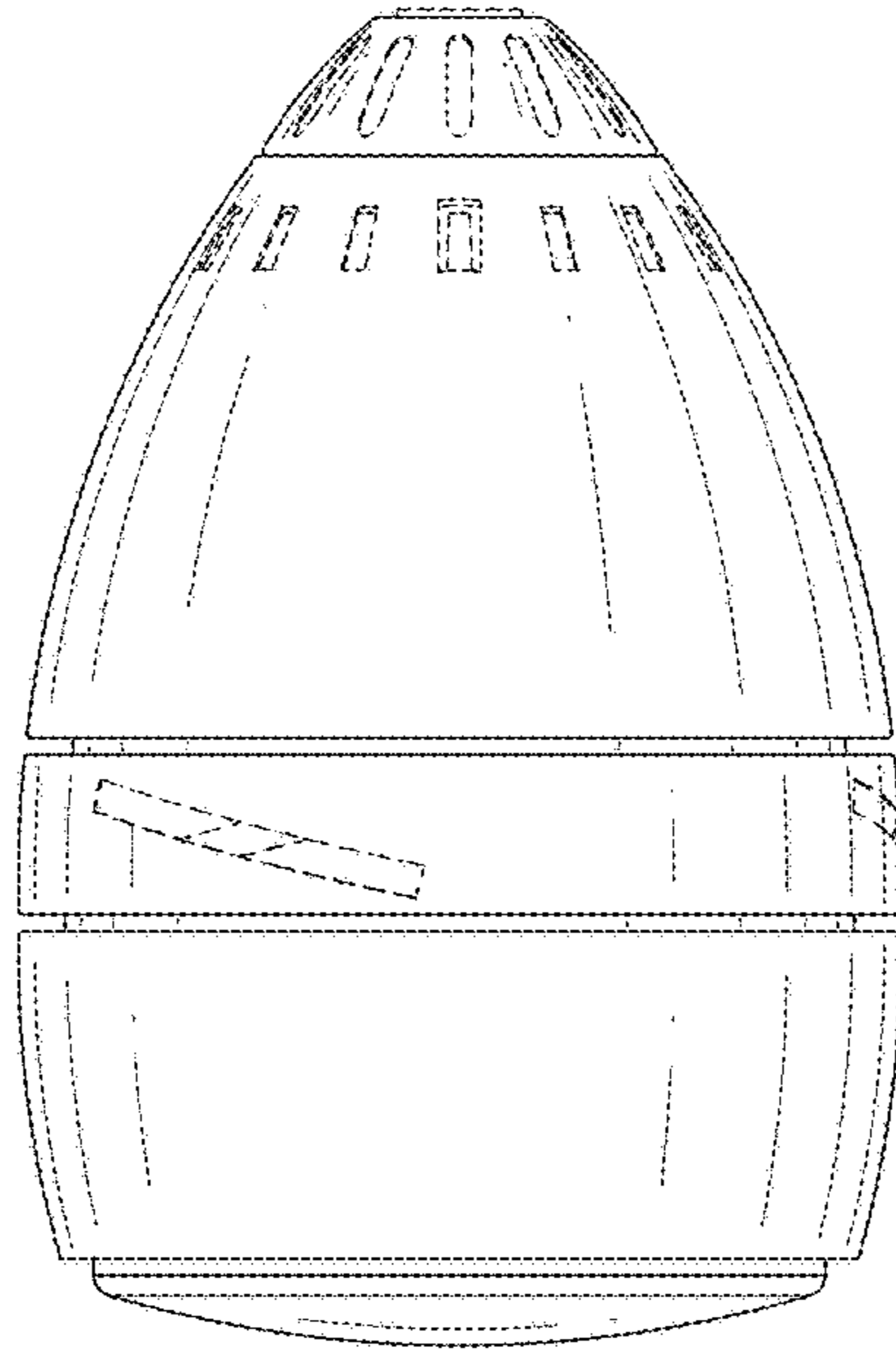


FIG. 4

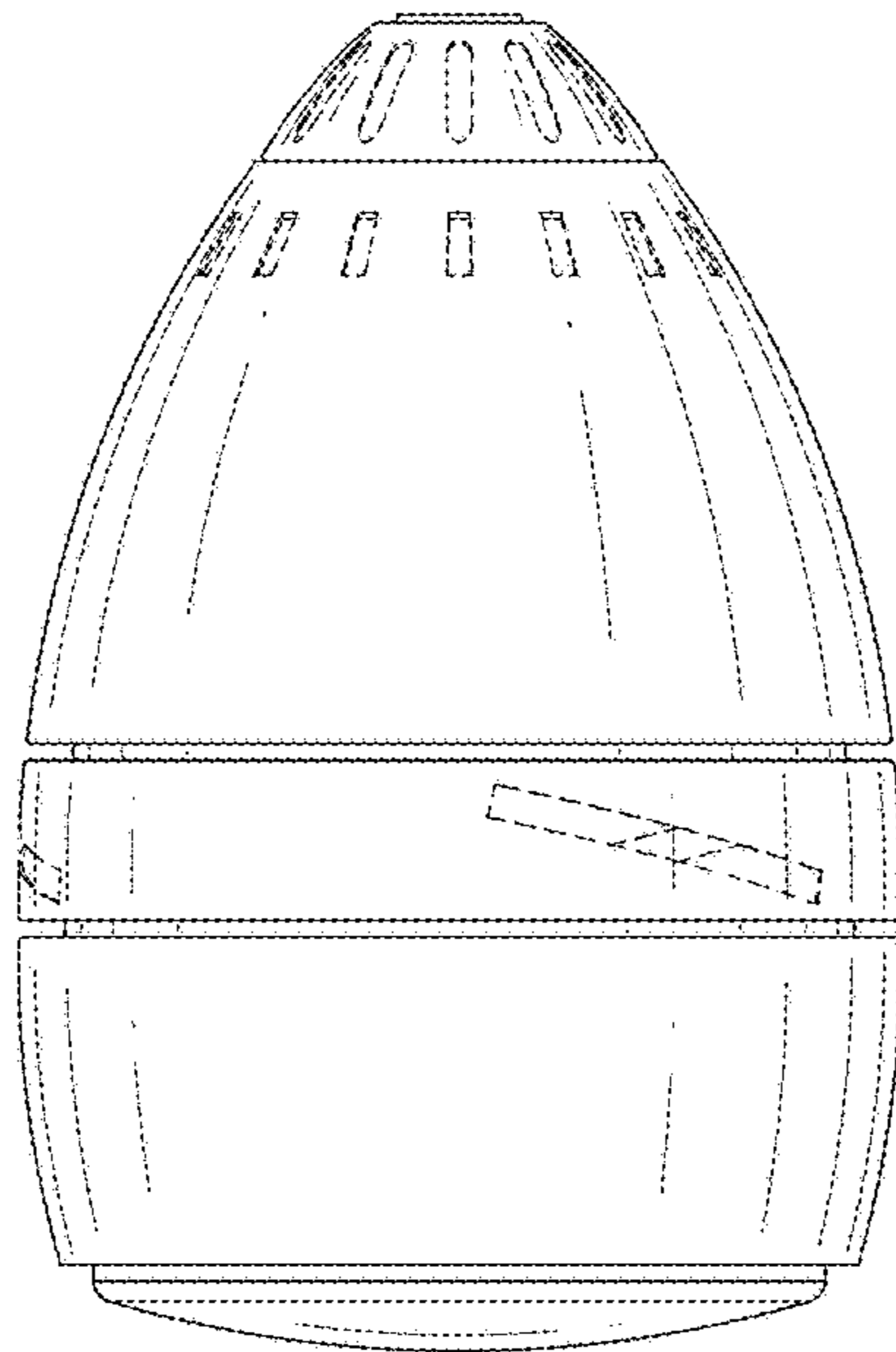


FIG. 5

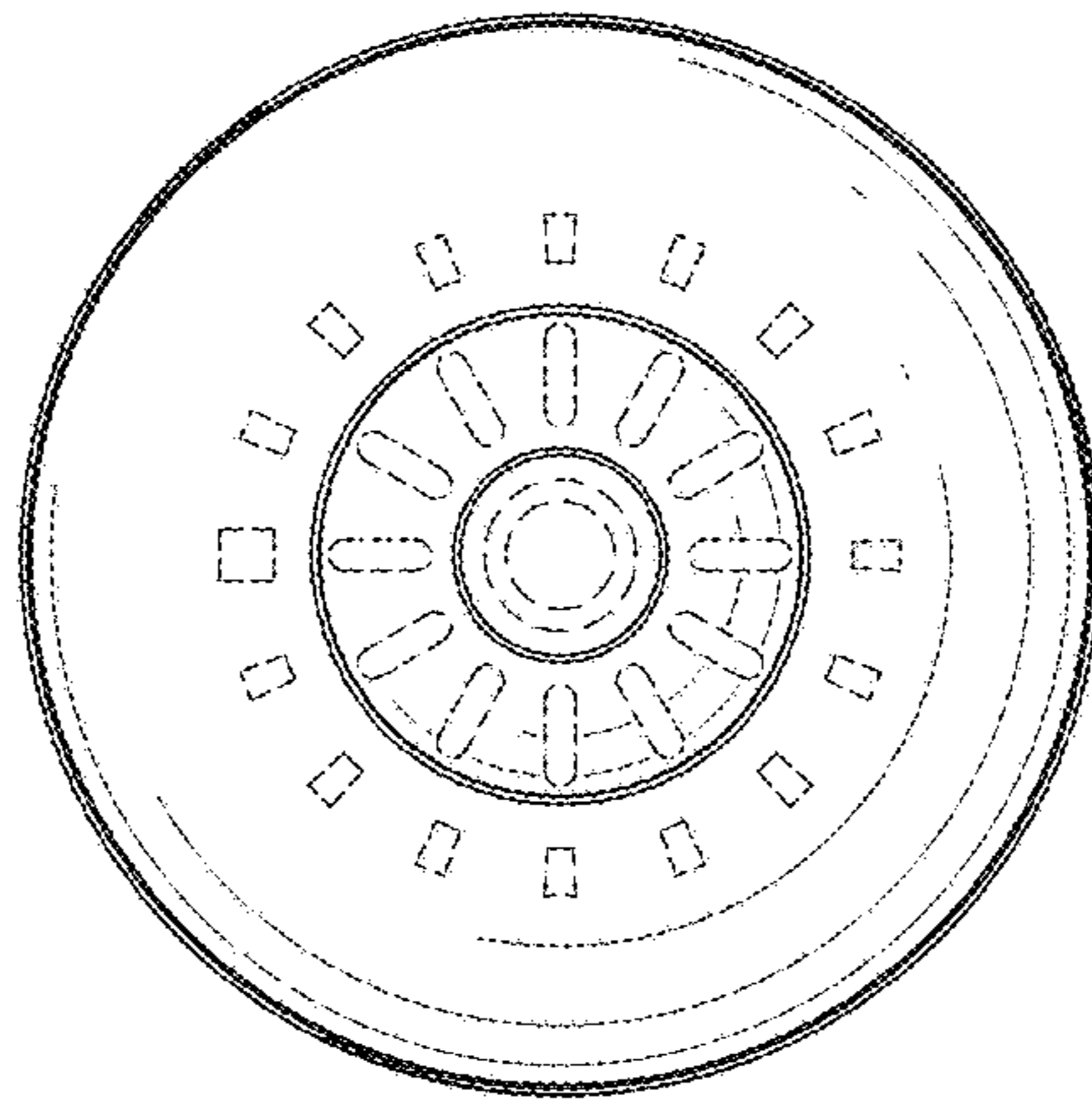


FIG. 6

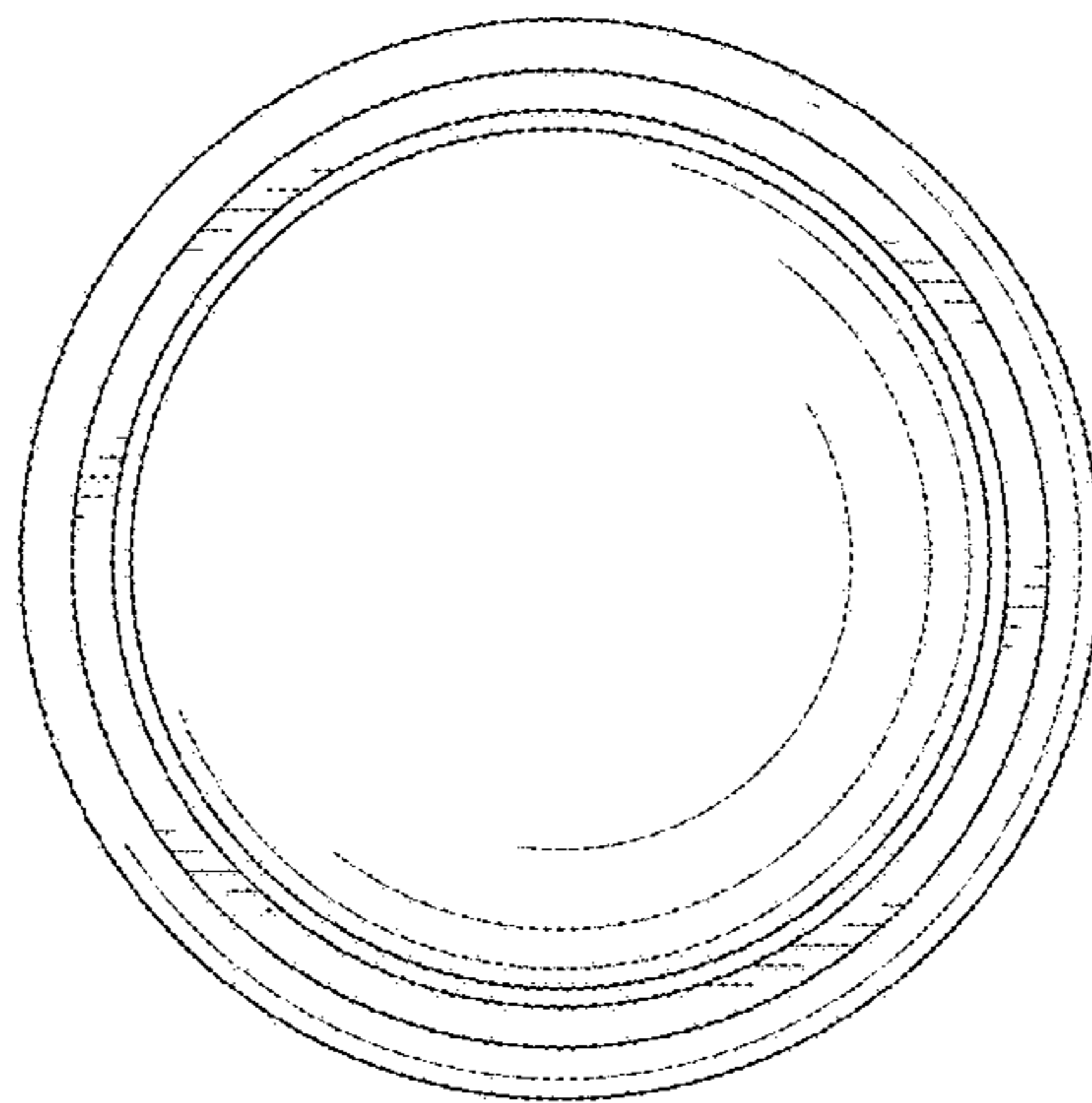


FIG. 7



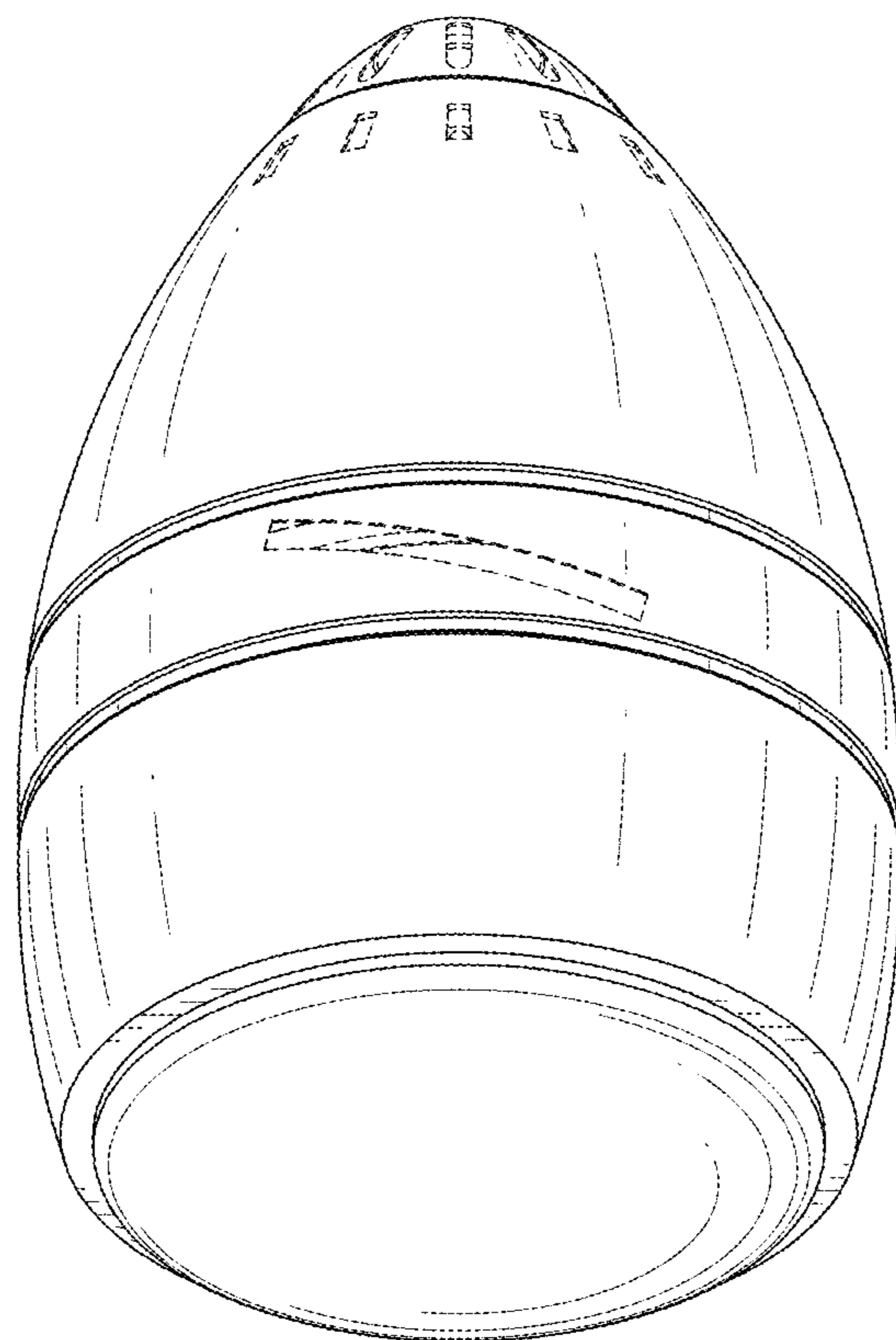


FIG. 8