



US00D783143S

(12) **United States Design Patent**  
**Poulton et al.**

(10) **Patent No.:** **US D783,143 S**

(45) **Date of Patent:** **\*\* Apr. 4, 2017**

- (54) **FAN**
- (71) Applicant: **Dyson Technology Limited**, Wiltshire (GB)
- (72) Inventors: **Roy Edward Poulton**, Swindon (GB);  
**Ben Thomas Edmonds**, Swindon (GB);  
**George Oram**, Gloucester (GB);  
**Thomas Douglas Ridley**, Bristol (GB);  
**Leanne Joyce Garner**, Bristol (GB);  
**Adam James Bates**, Oxford (GB);  
**Peter David Gammack**, Gloucester (GB)
- (73) Assignee: **Dyson Technology Limited**, Malmesbury, Wiltshire (GB)

- D728,770 S \* 5/2015 Dyson ..... D23/342
- D746,425 S \* 12/2015 Dyson ..... D23/356
- D746,966 S \* 1/2016 Dyson ..... D23/356
- D747,450 S \* 1/2016 Dyson ..... D23/356
- D749,231 S \* 2/2016 Dyson ..... D24/206
- D768,281 S \* 10/2016 Peet ..... D23/370
- 2014/0210114 A1\* 7/2014 Staniforth ..... F04D 25/08  
261/30
- 2016/0238038 A1\* 8/2016 Hughes ..... F04D 29/703

\* cited by examiner

*Primary Examiner* — Susan Bennett Hattan

*Assistant Examiner* — Janice Hallmark

(74) *Attorney, Agent, or Firm* — Morrison & Foerster LLP

(\*\*) Term: **15 Years**

(57) **CLAIM**

(21) Appl. No.: **29/567,896**

We claim the ornamental design for a fan, as shown and described.

(22) Filed: **Jun. 13, 2016**

(51) **LOC (10) Cl.** ..... **23-04**

(52) **U.S. Cl.**  
USPC ..... **D23/370**

**DESCRIPTION**

(58) **Field of Classification Search**  
USPC ..... D23/370, 355, 385, 386, 342, 336, 337,  
D23/376, 378  
CPC ..... F04D 29/703; F04D 29/403; F04D 3/00;  
F04D 17/00  
See application file for complete search history.

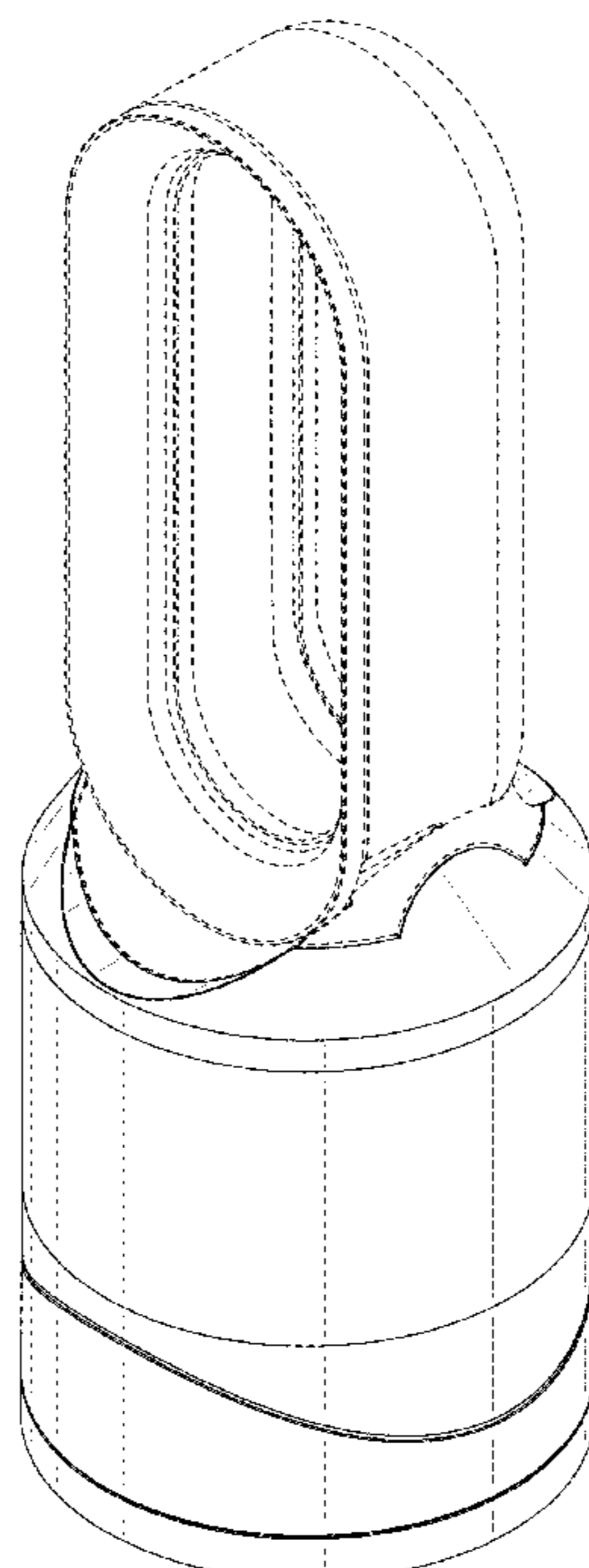
FIG. 1 is a perspective view of a fan showing our new design;  
FIG. 2 is a front view thereof;  
FIG. 3 is a rear view thereof;  
FIG. 4 is a side view thereof;  
FIG. 5 is a side view of the opposite side of FIG. 4;  
FIG. 6 is a top view thereof; and,  
FIG. 7 is a bottom view thereof.  
The broken lines in the drawings depict parts of the fan that form no part of the claimed design.

(56) **References Cited**

U.S. PATENT DOCUMENTS

- D672,023 S \* 12/2012 Wallace ..... D23/332
- D705,415 S \* 5/2014 Lo ..... D23/370

**1 Claim, 6 Drawing Sheets**



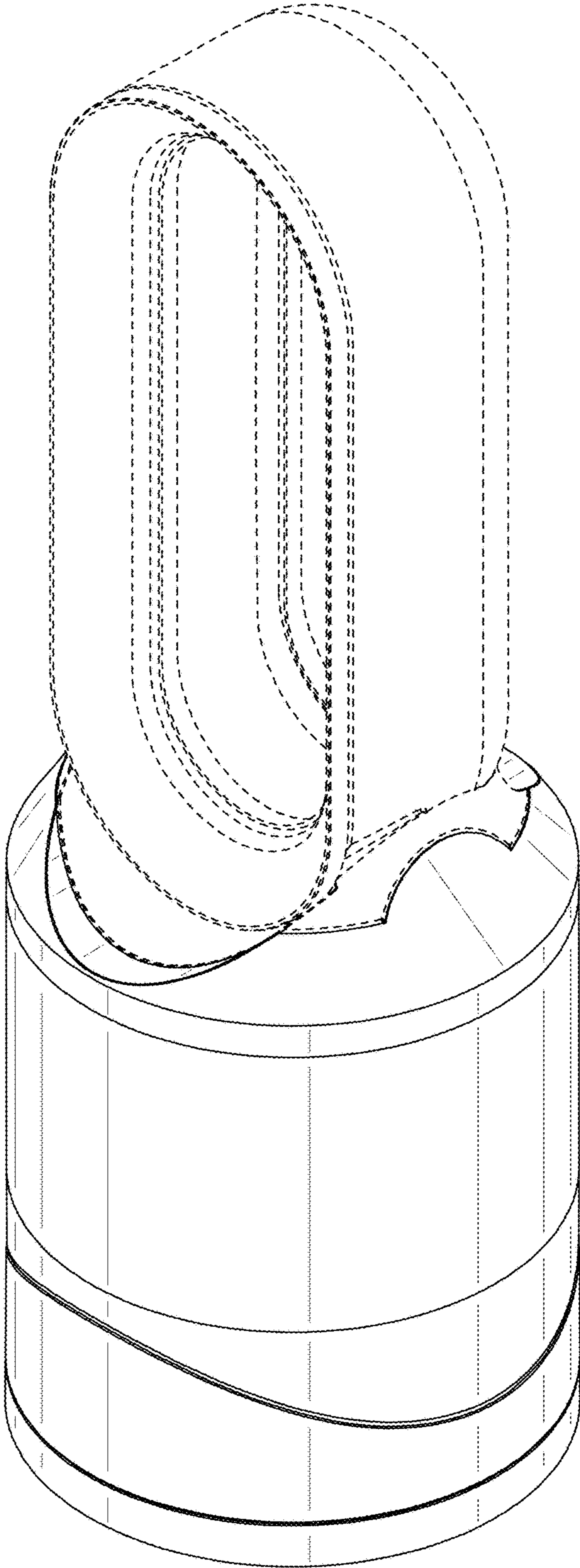


FIG. 1

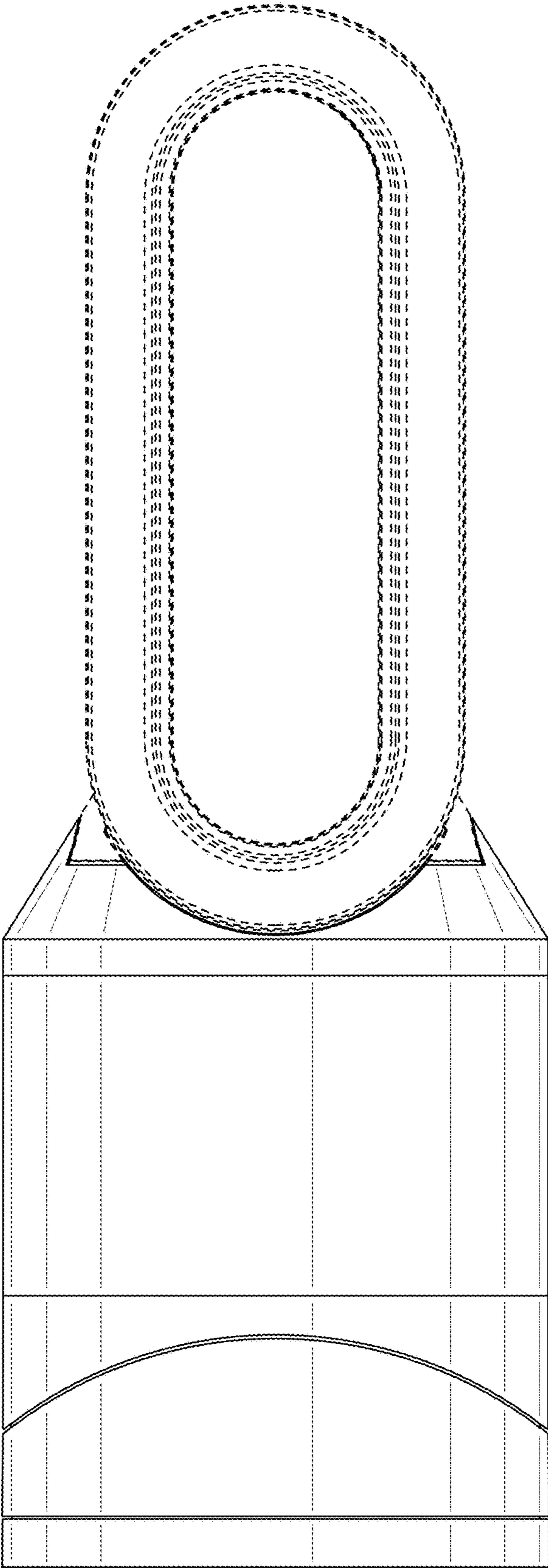


FIG. 2

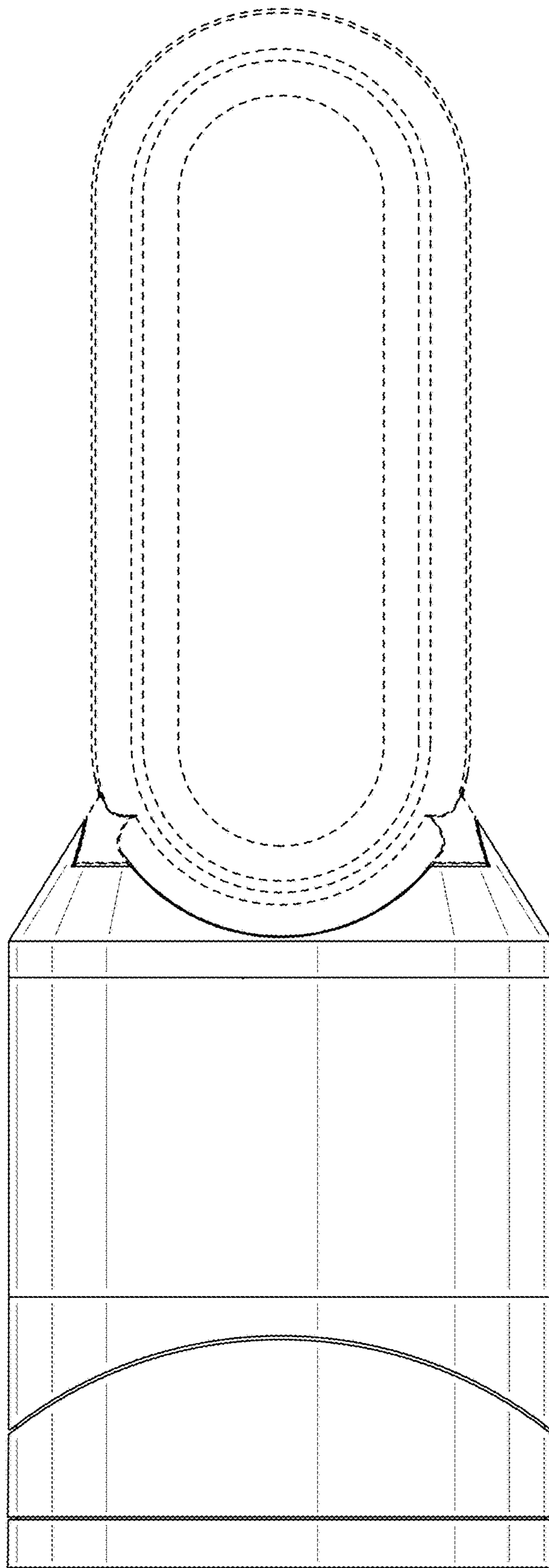


FIG. 3

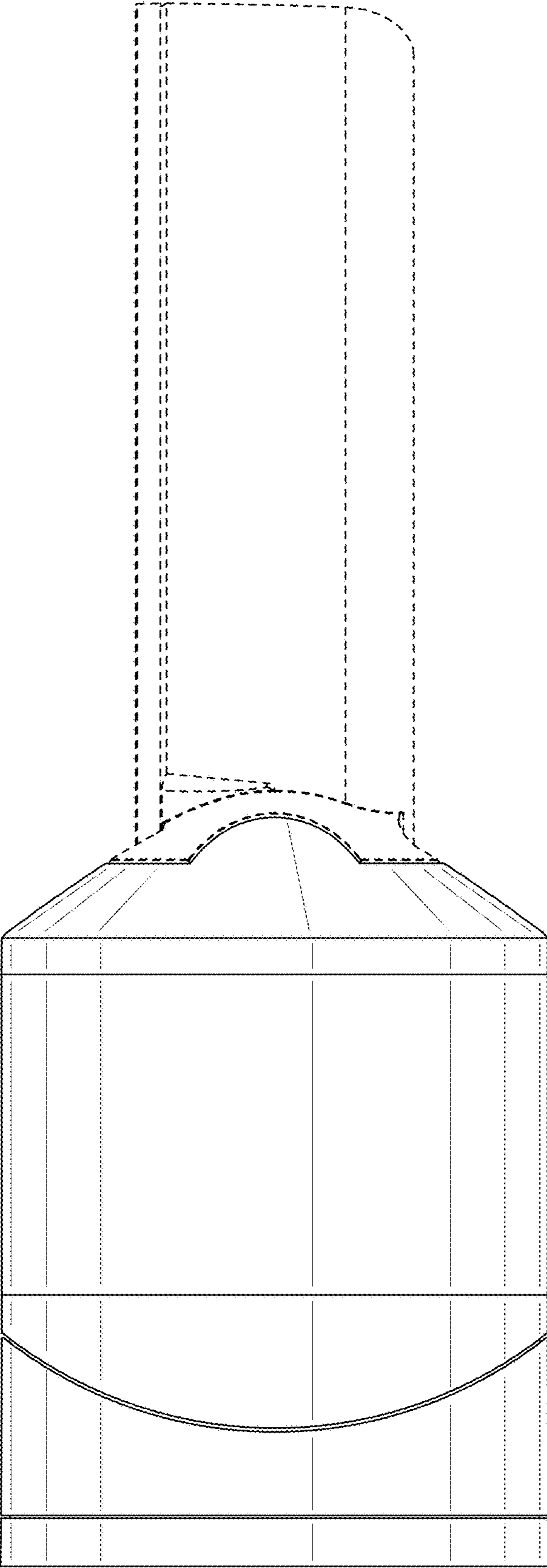


FIG. 4

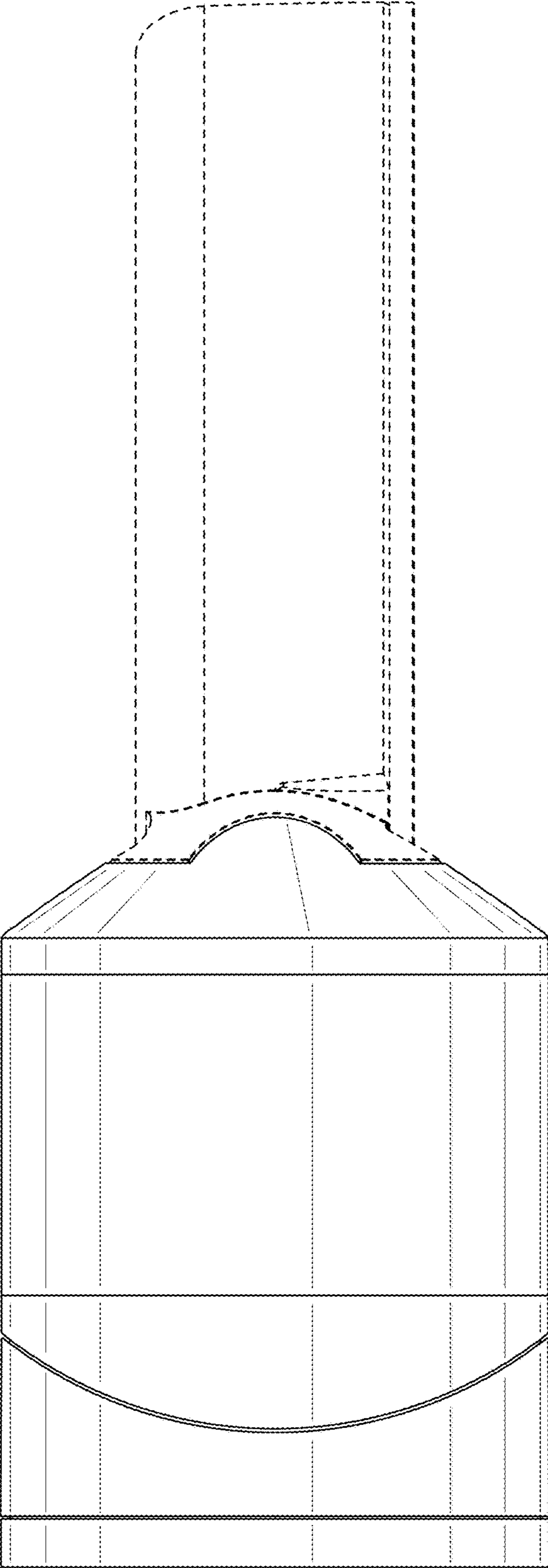


FIG. 5

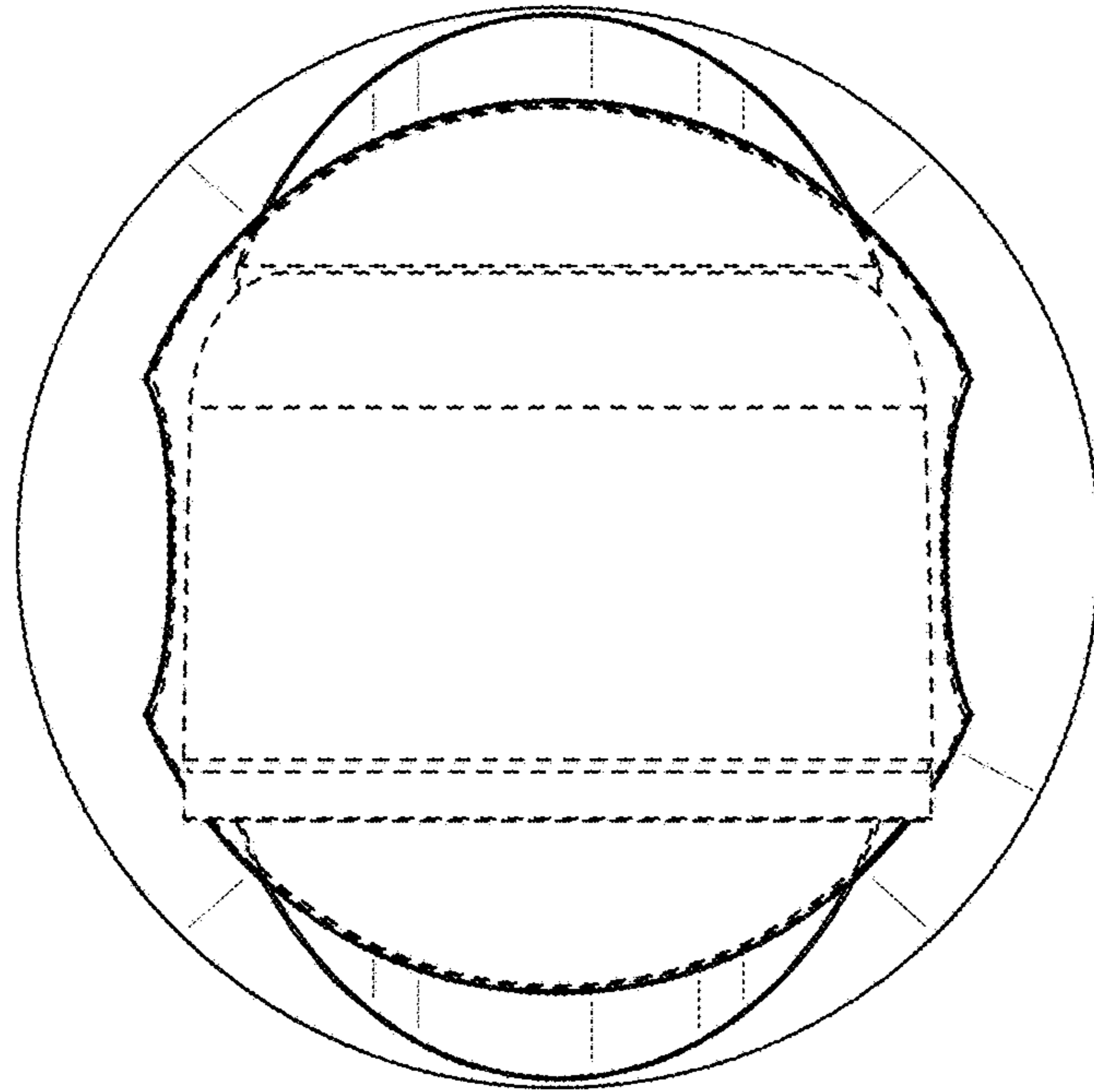


FIG. 6

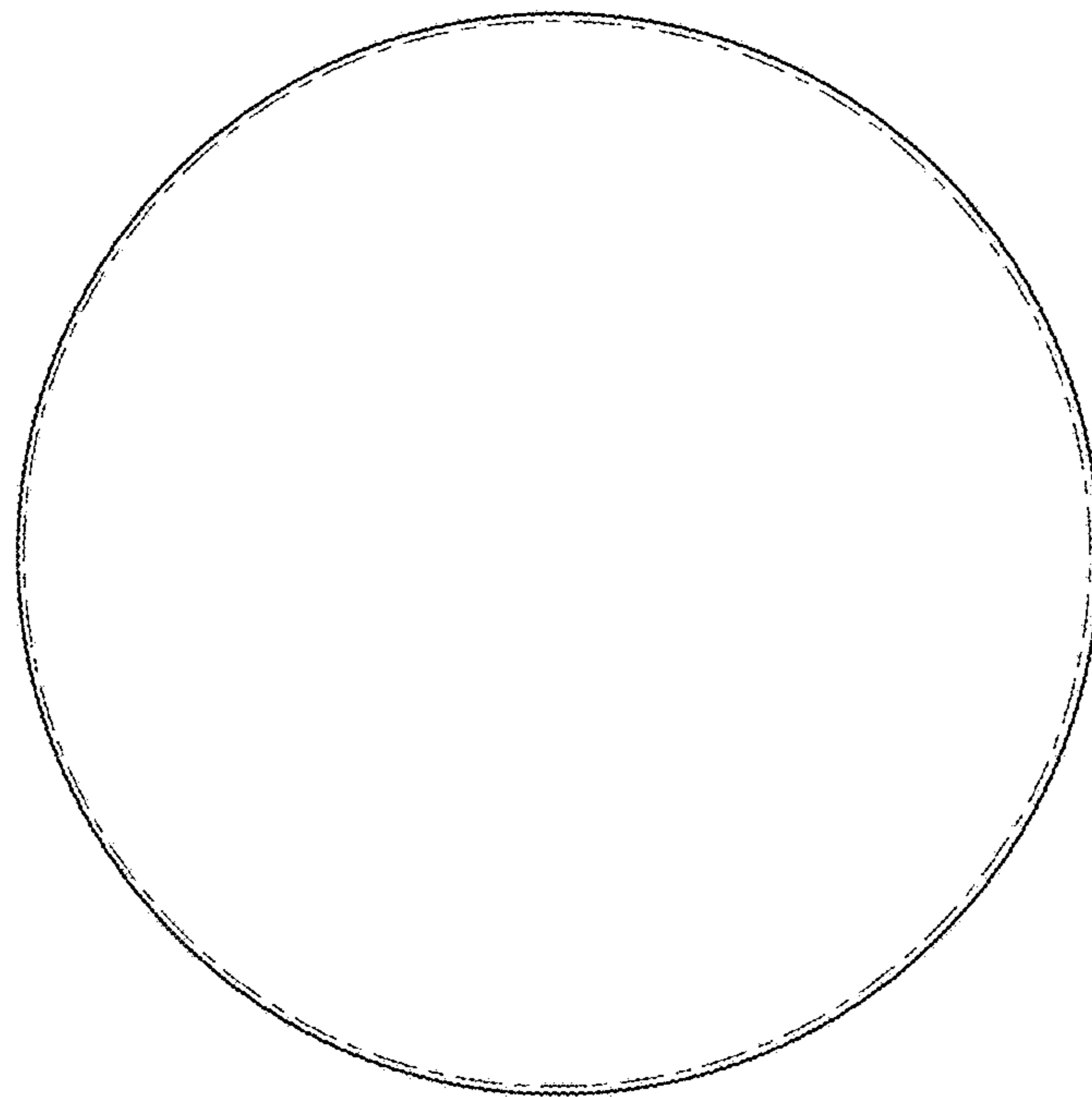


FIG. 7