

US00D783141S

(12) **United States Design Patent** (10) **Patent No.:** **US D783,141 S**  
**Poulton et al.** (45) **Date of Patent:** **\*\* Apr. 4, 2017**

(54) **FAN**  
(71) Applicant: **Dyson Technology Limited**, Wiltshire (GB)  
(72) Inventors: **Roy Edward Poulton**, Swindon (GB); **Ben Thomas Edmonds**, Swindon (GB); **George Oram**, Gloucester (GB); **Thomas Douglas Ridley**, Bristol (GB); **Leanne Joyce Garner**, Bristol (GB); **Adam James Bates**, Oxford (GB); **Peter David Gammack**, Gloucester (GB); **Michael Graham Love**, Bristol (GB)

D705,415 S \* 5/2014 Lo ..... D23/370  
D728,769 S \* 5/2015 Dyson ..... D23/342  
D728,770 S \* 5/2015 Dyson ..... D23/342  
D746,425 S \* 12/2015 Dyson ..... D23/356  
D746,966 S \* 1/2016 Dyson ..... D23/356  
D747,450 S \* 1/2016 Dyson ..... D23/356  
D749,231 S \* 2/2016 Dyson ..... D24/206  
D768,839 S \* 10/2016 Peet ..... D23/370  
D768,842 S \* 10/2016 Peet ..... D23/370  
2014/0210114 A1 \* 7/2014 Staniforth ..... F04D 25/08  
261/30

(73) Assignee: **Dyson Technology Limited**, Malmesbury, Wiltshire (GB)

\* cited by examiner  
*Primary Examiner* — Susan Bennett Hattan  
*Assistant Examiner* — Janice Hallmark  
(74) *Attorney, Agent, or Firm* — Morrison & Foerster LLP

(\*\*) Term: **15 Years**

(57) **CLAIM**

(21) Appl. No.: **29/567,894**

We claim the ornamental design for a fan, as shown and described.

(22) Filed: **Jun. 13, 2016**

(51) **LOC (10) Cl.** ..... **23-04**

(52) **U.S. Cl.**  
USPC ..... **D23/370**

**DESCRIPTION**

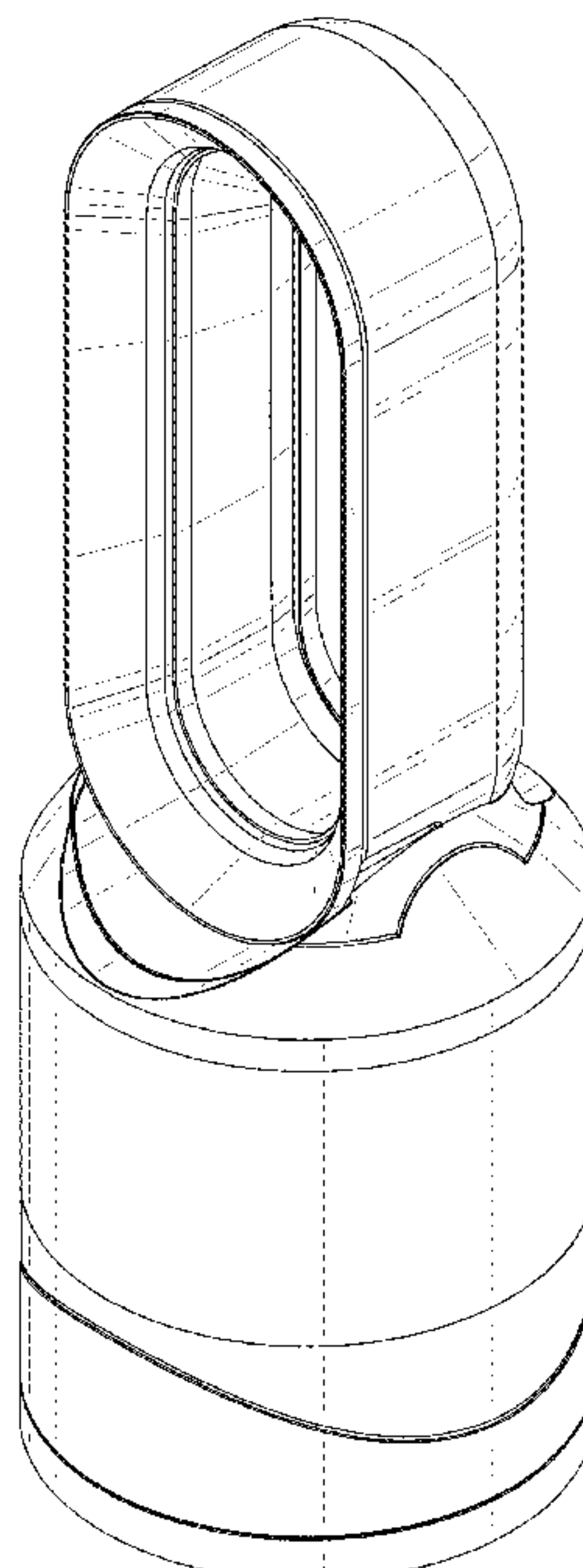
(58) **Field of Classification Search**  
USPC ..... D23/370, 355, 385, 386, 342, 336, 337, D23/376, 378  
CPC ..... F04D 29/703; F04D 29/403; F04D 3/00; F04D 17/00  
See application file for complete search history.

FIG. 1 is a perspective view of a fan showing our new design;  
FIG. 2 is a front view thereof;  
FIG. 3 is a rear view thereof;  
FIG. 4 is a side view thereof;  
FIG. 5 is a side view of the opposite side of FIG. 4;  
FIG. 6 is a top view thereof; and,  
FIG. 7 is a bottom view thereof.  
The broken lines in the drawings depict parts of the fan that form no part of the claimed design.

(56) **References Cited**  
U.S. PATENT DOCUMENTS

D638,114 S \* 5/2011 Li ..... D23/370  
D672,023 S \* 12/2012 Wallace ..... D23/332

**1 Claim, 6 Drawing Sheets**



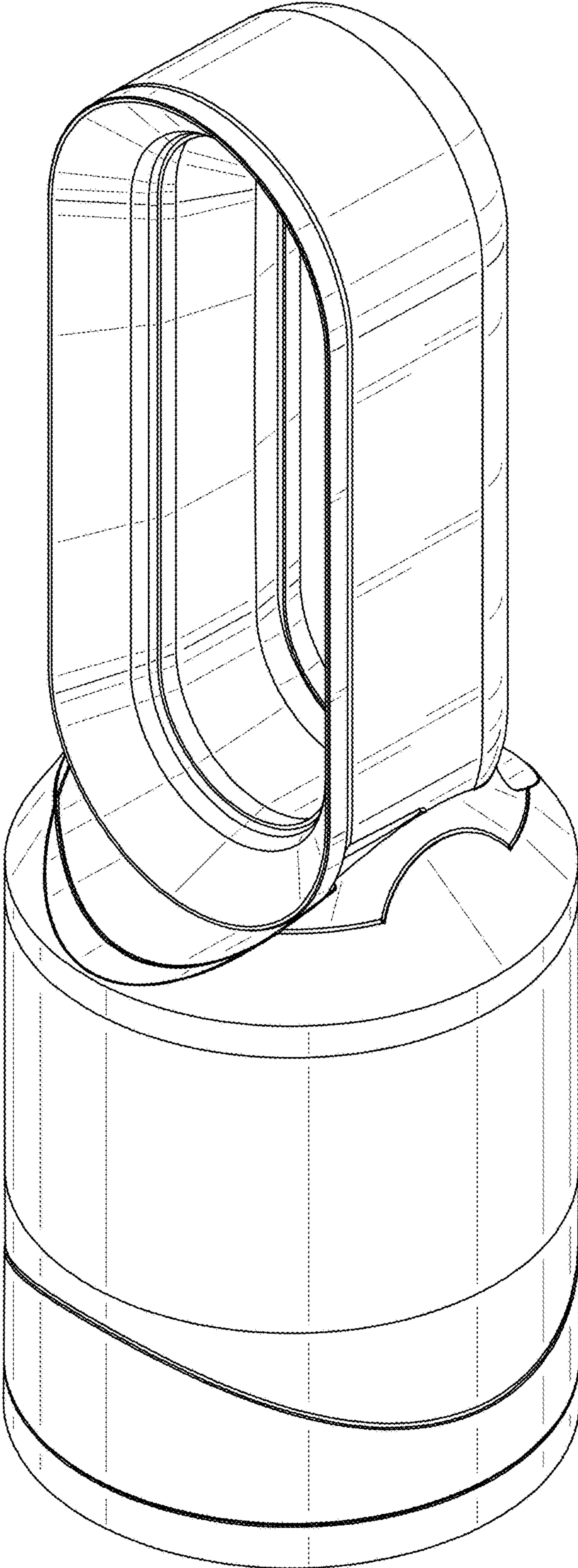


FIG. 1

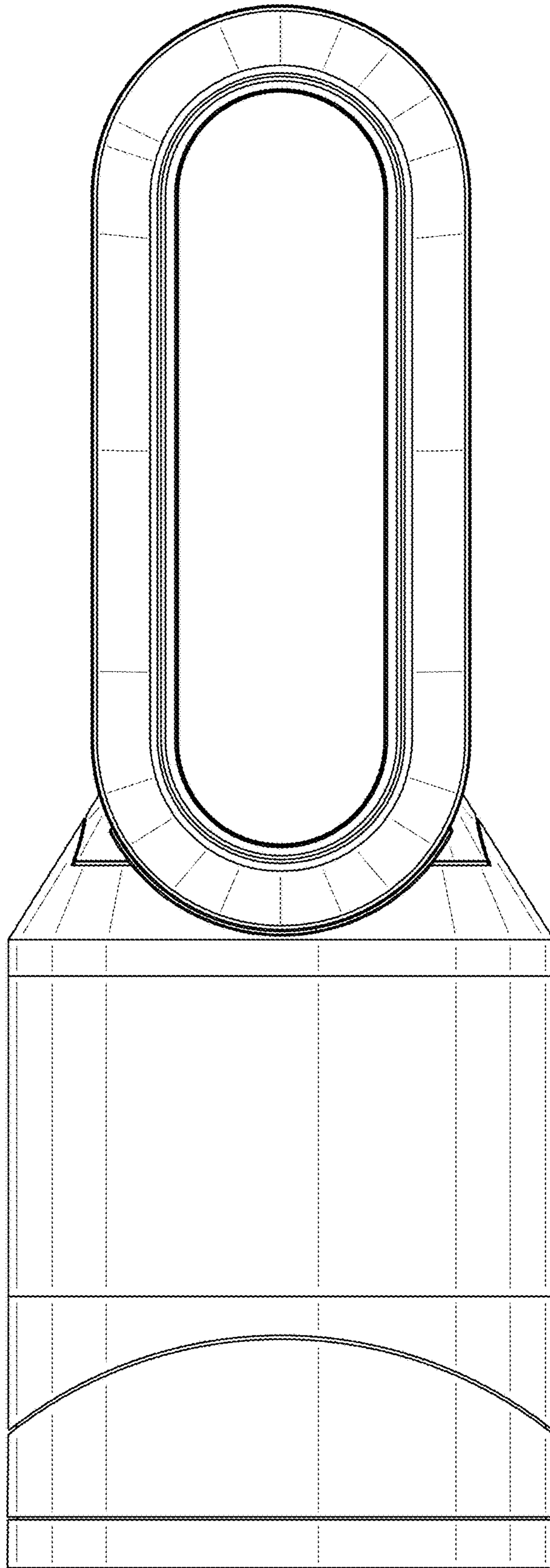


FIG. 2



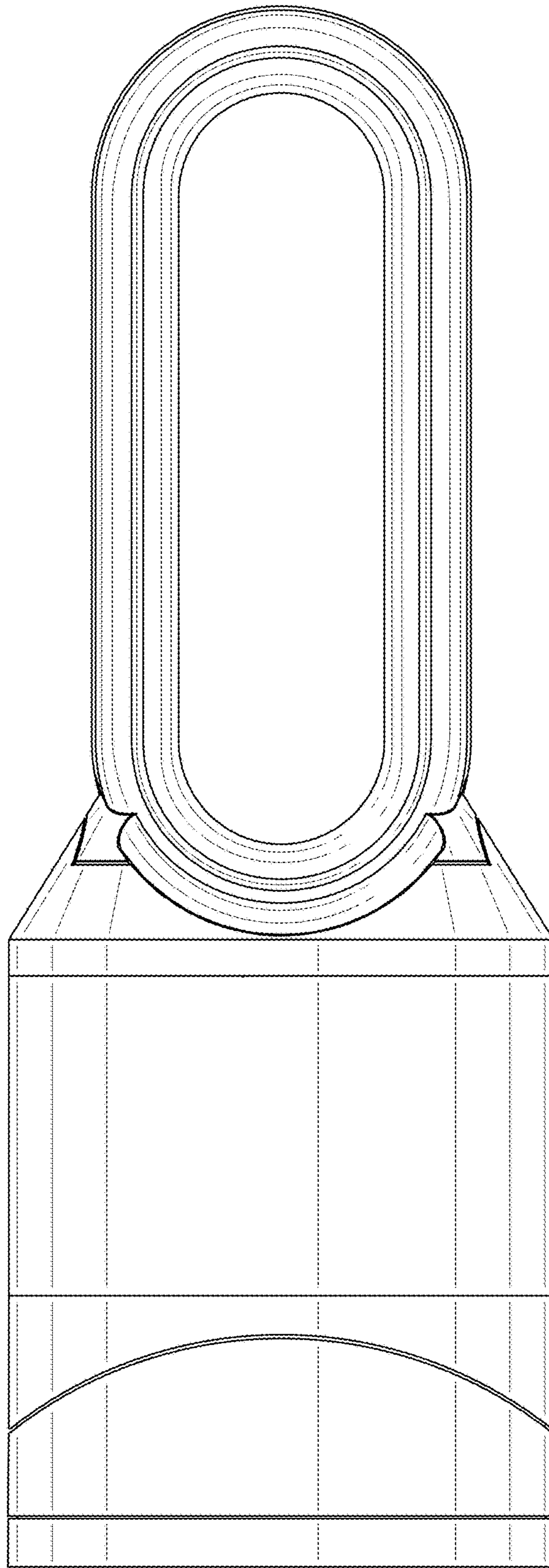


FIG. 3

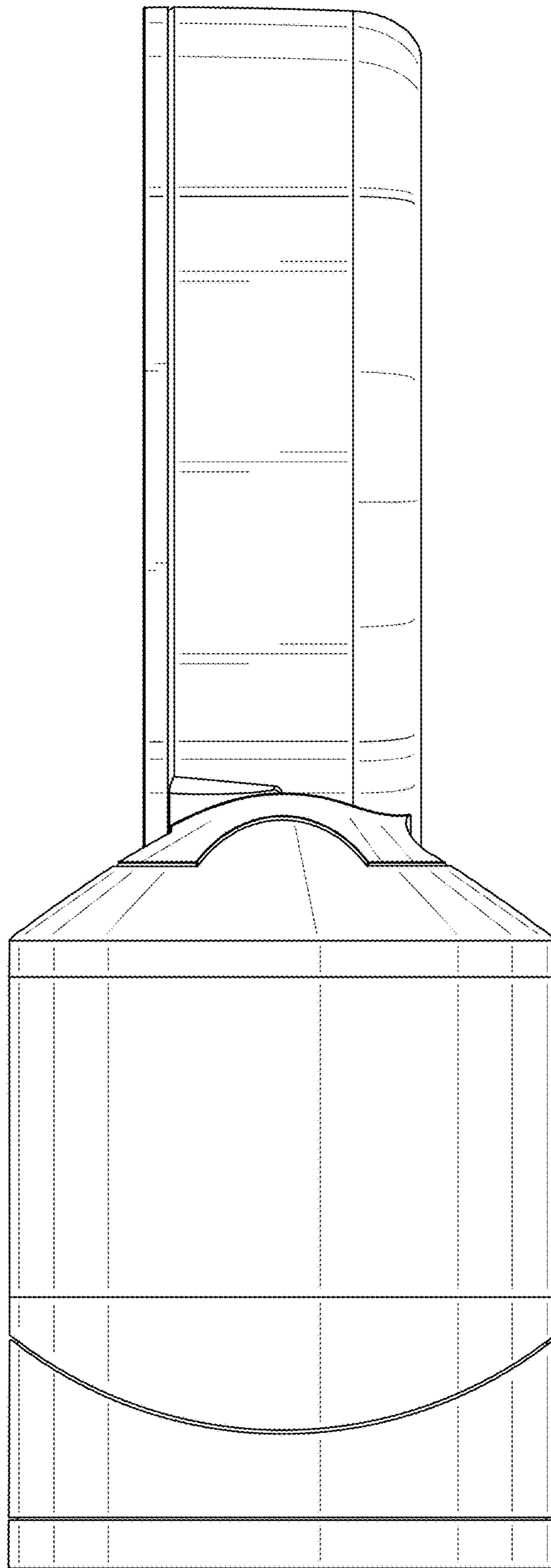


FIG. 4

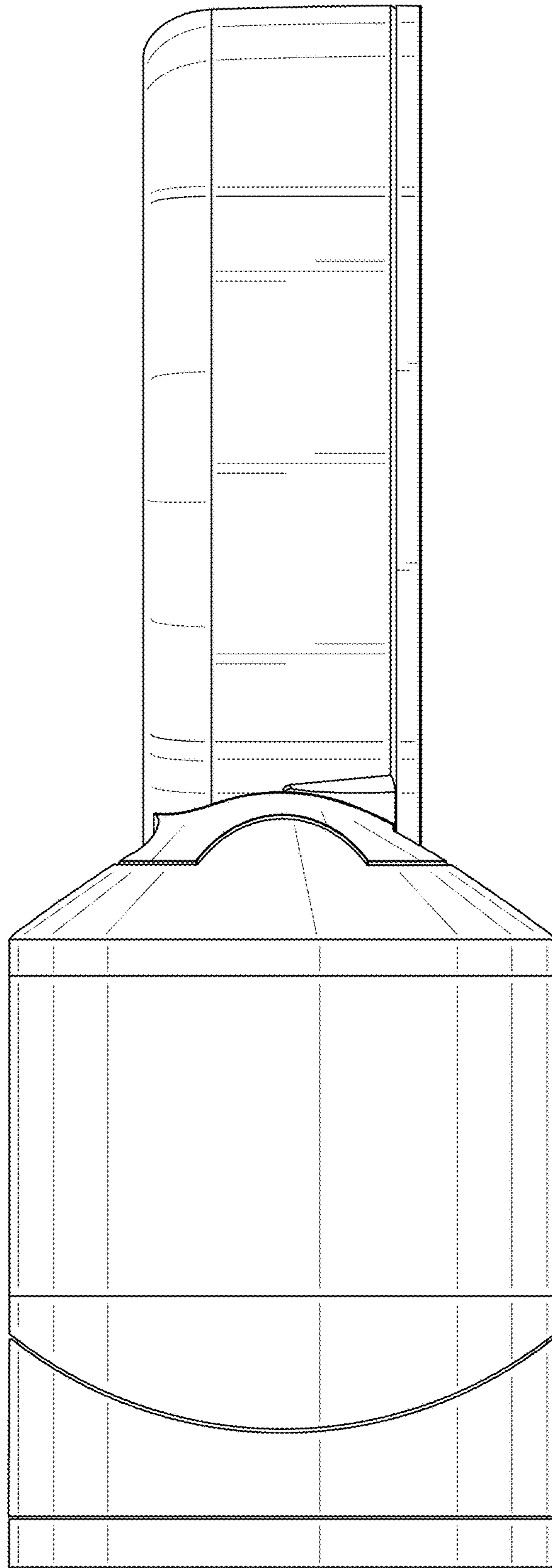


FIG. 5

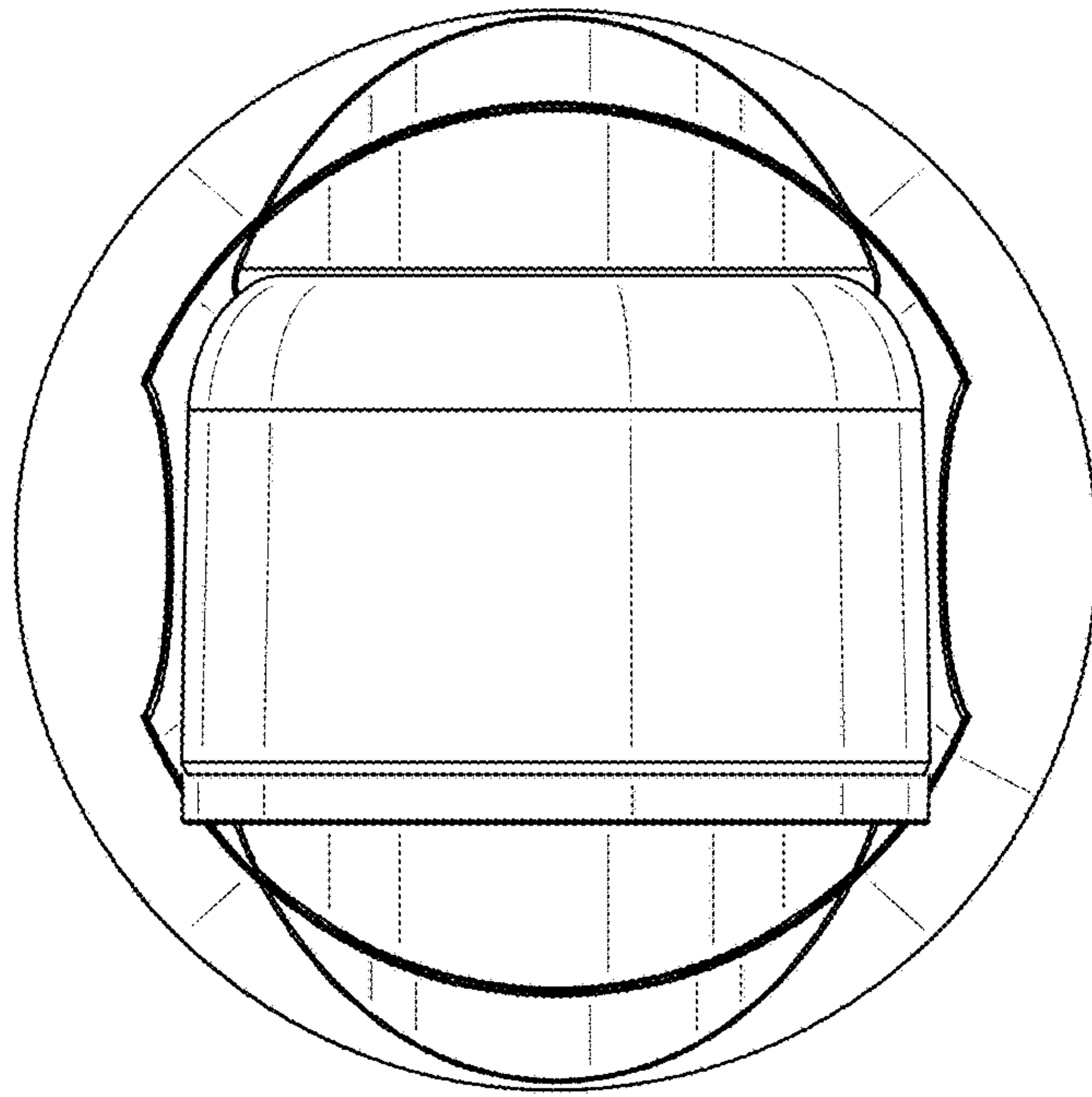


FIG. 6

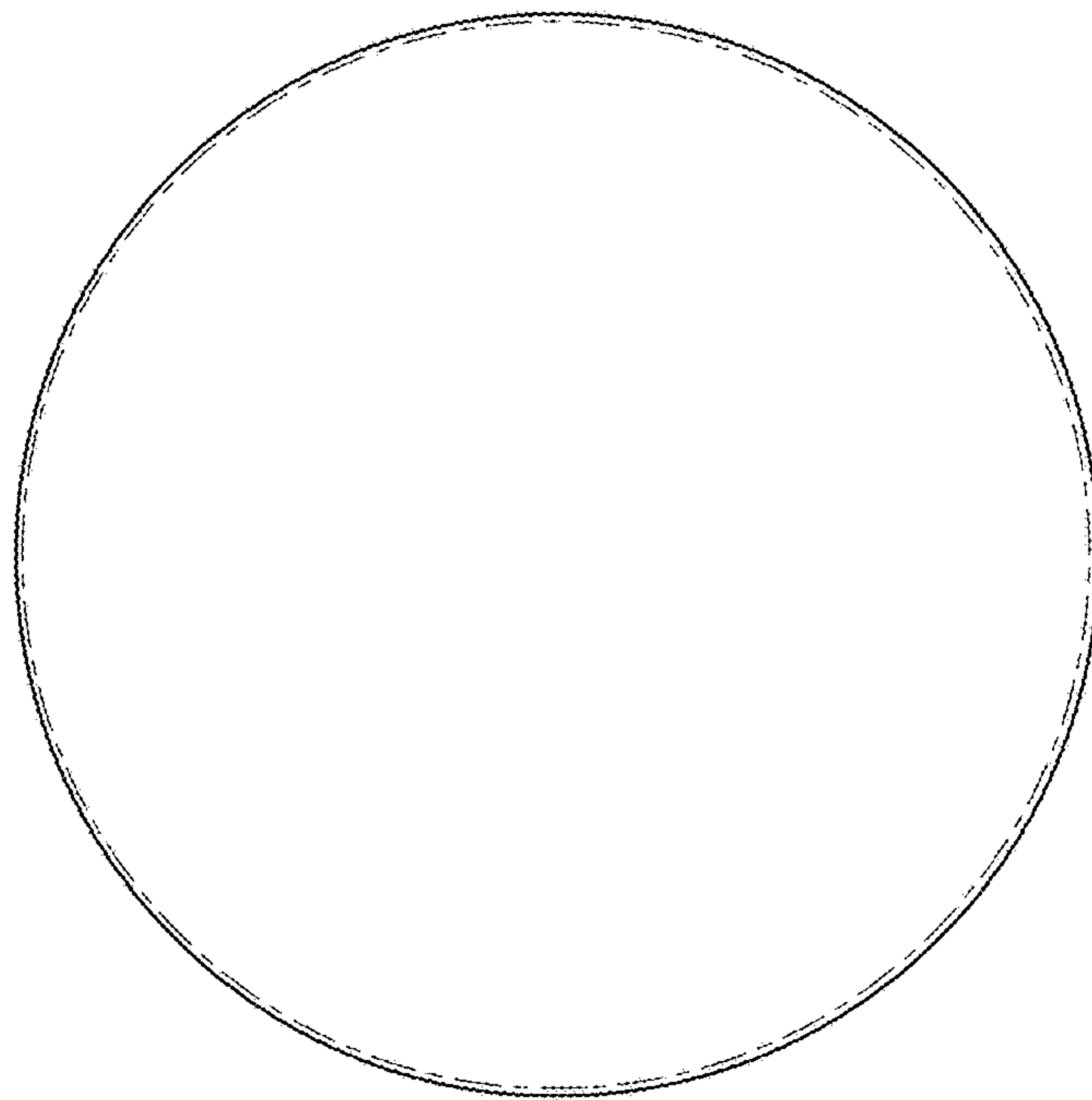


FIG. 7