



US00D783134S

(12) **United States Design Patent**  
**Karnegie**

(10) **Patent No.:** **US D783,134 S**

(45) **Date of Patent:** **\*\* Apr. 4, 2017**

(54) **SINK AND SHOWER DRAIN HAIR COLLECTOR**

(71) Applicant: **Juka Innovations Corporation**, Glen Cove, NY (US)

(72) Inventor: **Serge Karnegie**, Glen Cove, NY (US)

(73) Assignee: **JUKA INNOVATIONS CORPORATION**, Glen Cove, NY (US)

(\*\*) Term: **15 Years**

(21) Appl. No.: **29/569,860**

(22) Filed: **Jun. 30, 2016**

(51) **LOC (10) Cl.** ..... **23-01**

(52) **U.S. Cl.**  
USPC ..... **D23/261**

(58) **Field of Classification Search**  
USPC ..... D23/259–262, 268–269, 209–210;  
4/286–295; 210/232  
CPC ... E03C 1/26; E03C 1/262; E03C 1/28; E03C  
1/298; E03C 1/23; E03C 1/24; E03C  
1/264

See application file for complete search history.

(56) **References Cited**

**U.S. PATENT DOCUMENTS**

- 394,213 A \* 12/1888 Soanwell ..... E03C 1/264  
4/289
- D28,964 S \* 6/1898 Wieber ..... D23/261
- 769,001 A \* 8/1904 Lawrence ..... E03C 1/264  
4/291
- 989,410 A \* 4/1911 Peters ..... E03C 1/264  
4/289
- 1,424,022 A \* 7/1922 Lacoste ..... E03C 1/264  
4/291

- 1,436,294 A \* 11/1922 Scott ..... B60K 15/0406  
210/473
- 1,515,073 A \* 11/1924 Savard ..... E03C 1/264  
4/289
- 1,612,588 A \* 12/1926 Lacoste ..... E03C 1/264  
210/452
- 2,038,852 A \* 4/1936 Pasman ..... E03C 1/264  
4/291
- 2,285,833 A \* 6/1942 Platt ..... E03C 1/264  
210/238
- D246,109 S \* 10/1977 Rosaen ..... D23/209
- 6,308,350 B1 \* 10/2001 Marchionda ..... E03C 1/282  
4/292
- 6,387,261 B1 \* 5/2002 Mojena ..... B01D 24/008  
210/315
- 6,558,538 B2 \* 5/2003 Scuilla ..... E03C 1/126  
210/198.1

(Continued)

*Primary Examiner* — Eric Goodman  
*Assistant Examiner* — Amy Wierenga

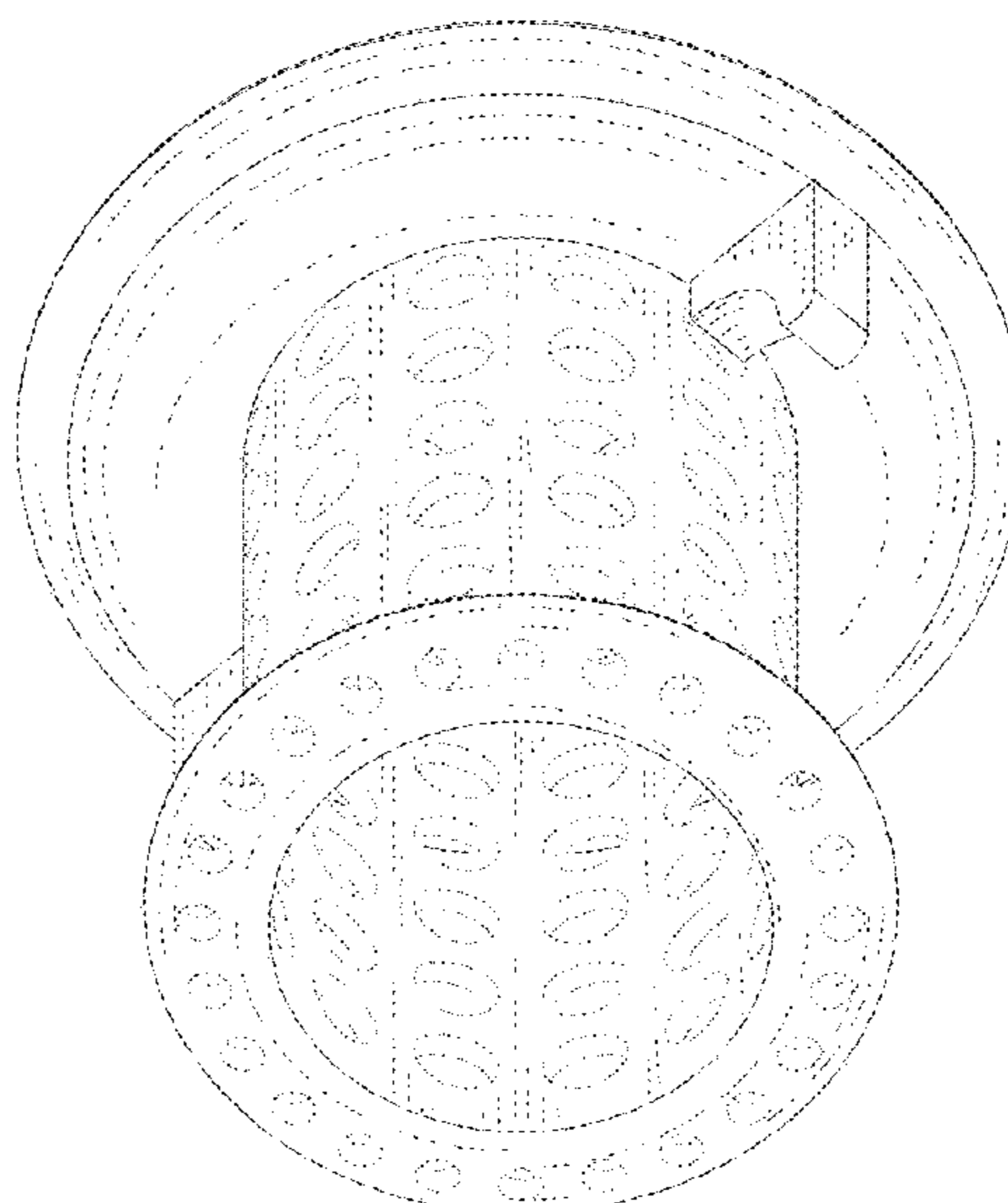
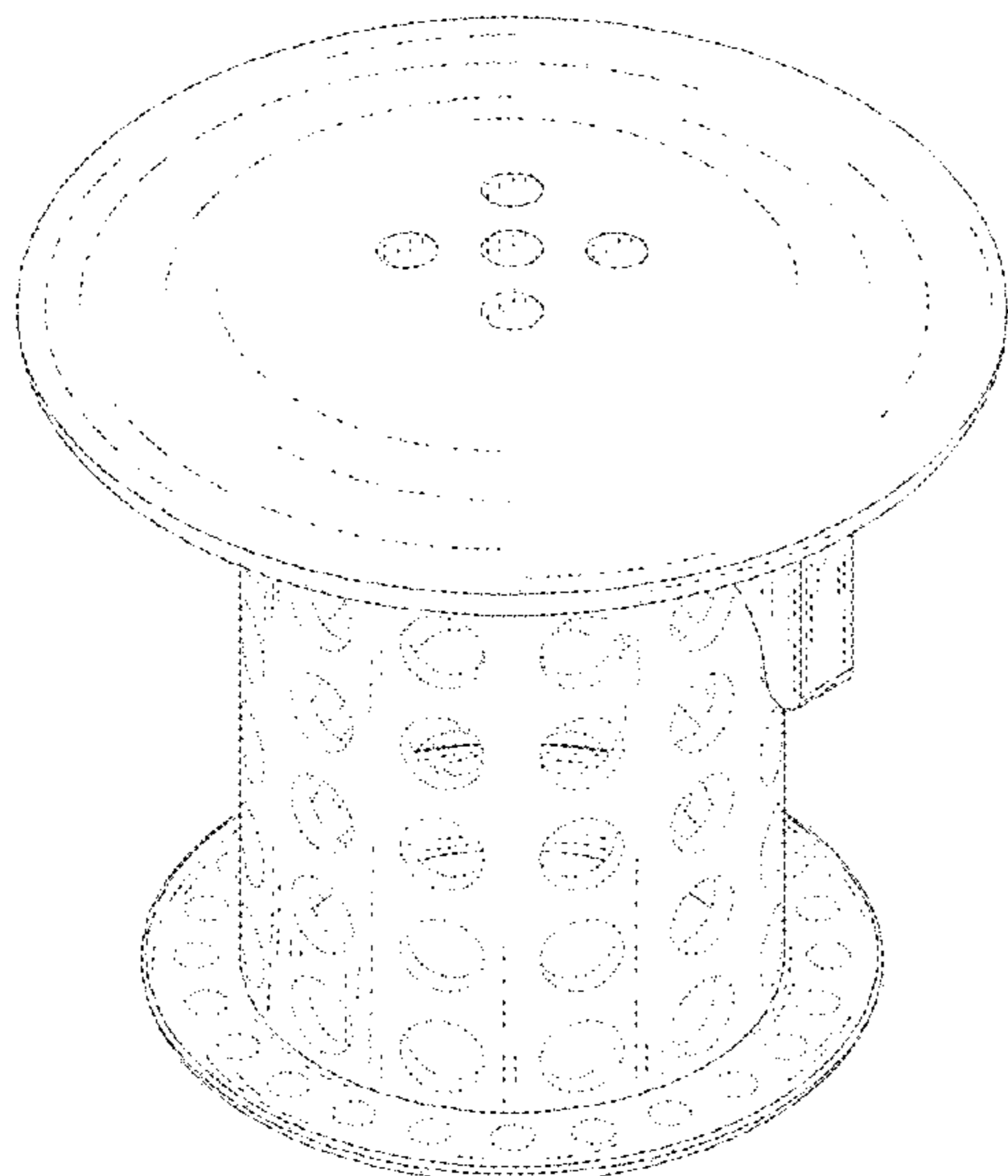
(57) **CLAIM**

The ornamental design for a sink and shower drain hair collector, as shown and described.

**DESCRIPTION**

FIG. 1 is a top perspective view of a sink and shower drain hair collector showing our new design; FIG. 2 is a bottom perspective view thereof; FIG. 3 is a front view thereof; FIG. 4 is a back view thereof; FIG. 5 is a top view thereof; FIG. 6 is a bottom view thereof; FIG. 7 is a left view thereof; and, FIG. 8 is a right view thereof. The broken line in the drawing showing holes depict portions of the article that form no part of the claim.

**1 Claim, 8 Drawing Sheets**



(56)

**References Cited**

U.S. PATENT DOCUMENTS

7,376,983 B1 \* 5/2008 Sciarrino ..... E03C 1/264  
4/288  
D644,072 S \* 8/2011 McDonald ..... D7/667  
8,011,030 B2 \* 9/2011 Li ..... E03C 1/262  
4/286  
D753,791 S \* 4/2016 Rashid ..... D23/209  
D756,483 S \* 5/2016 Ruprecht ..... D23/209  
9,518,383 B2 \* 12/2016 Lesmeister ..... A47K 1/14  
2002/0139731 A1 \* 10/2002 Michels ..... B01D 27/103  
210/97  
2009/0007321 A1 \* 1/2009 Kang ..... E03C 1/22  
4/292  
2012/0060275 A1 \* 3/2012 Cheng ..... E03C 1/2306  
4/689  
2015/0259892 A1 \* 9/2015 Guterman ..... E03C 1/264  
4/291  
2016/0130793 A1 \* 5/2016 Lesmeister ..... A47K 1/14  
4/287

\* cited by examiner

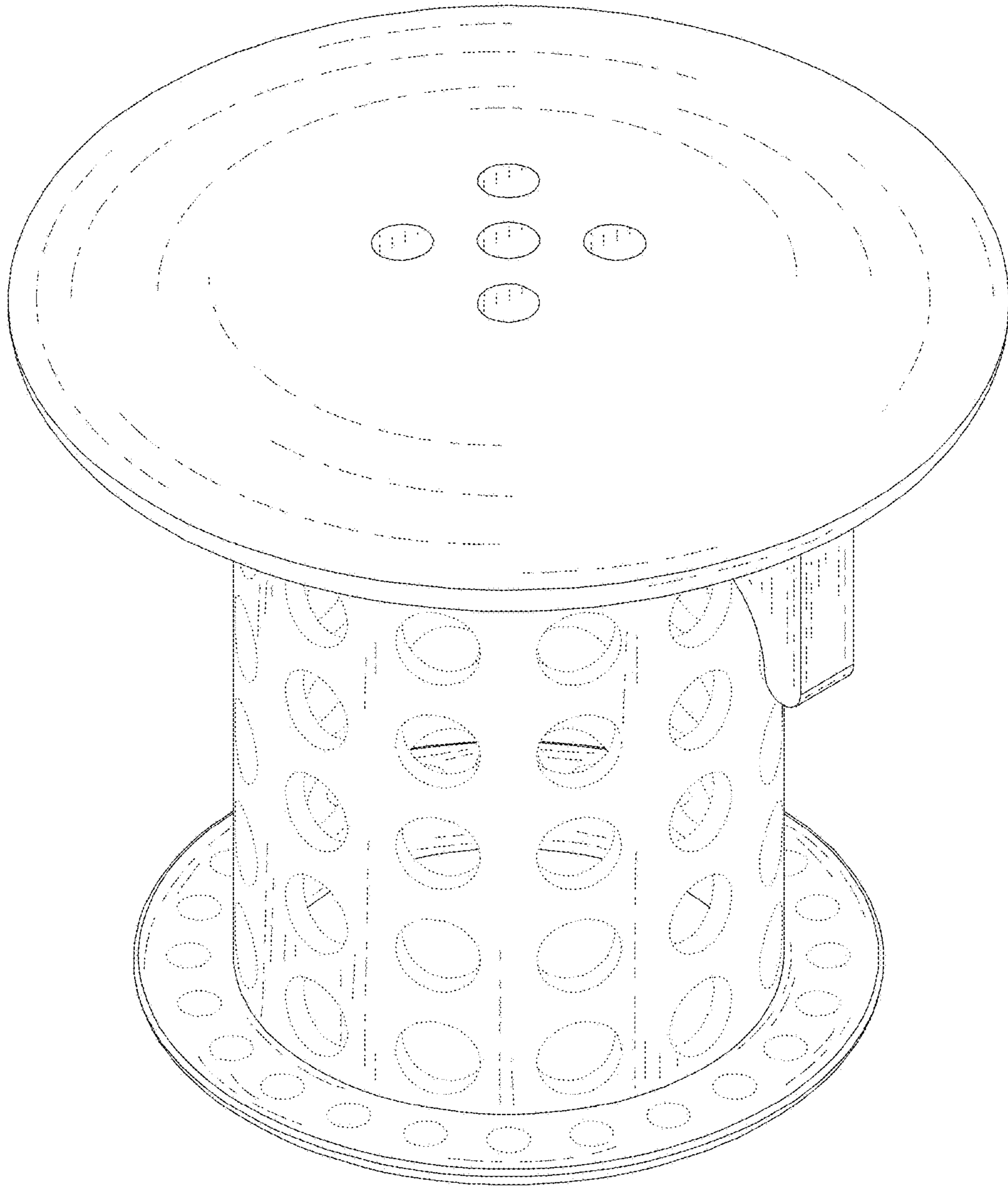


FIG. 1

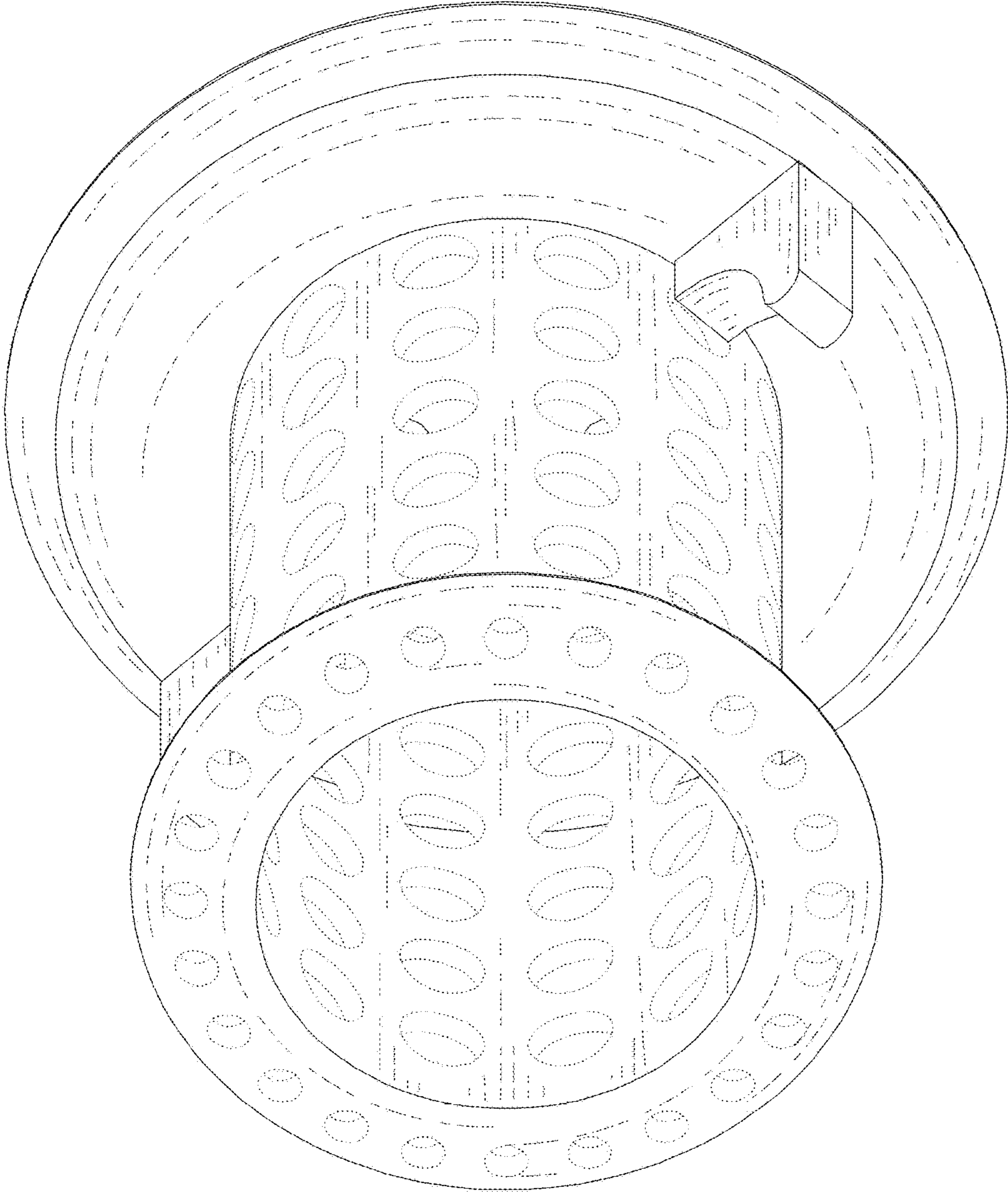


FIG. 2

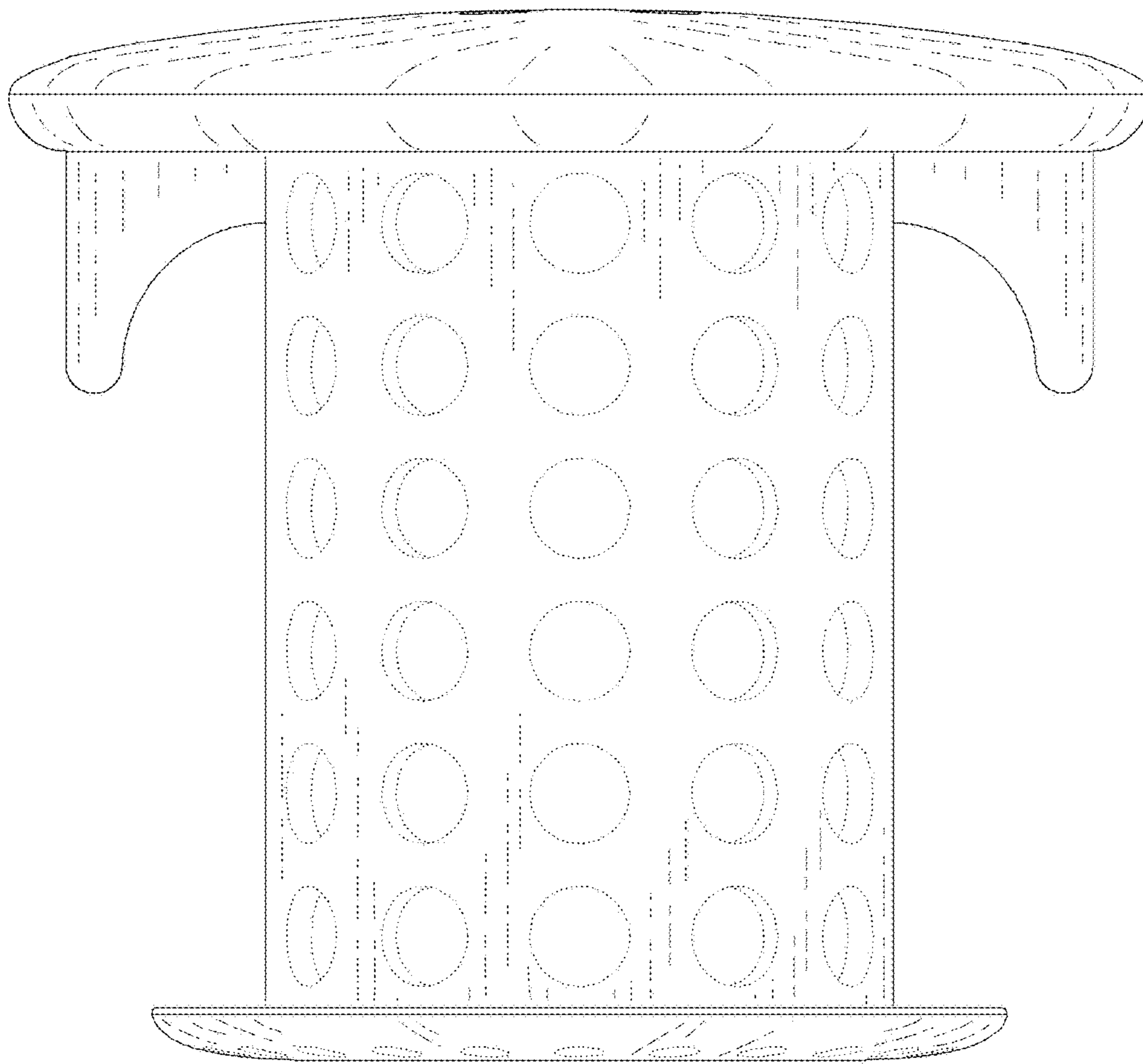


FIG. 3

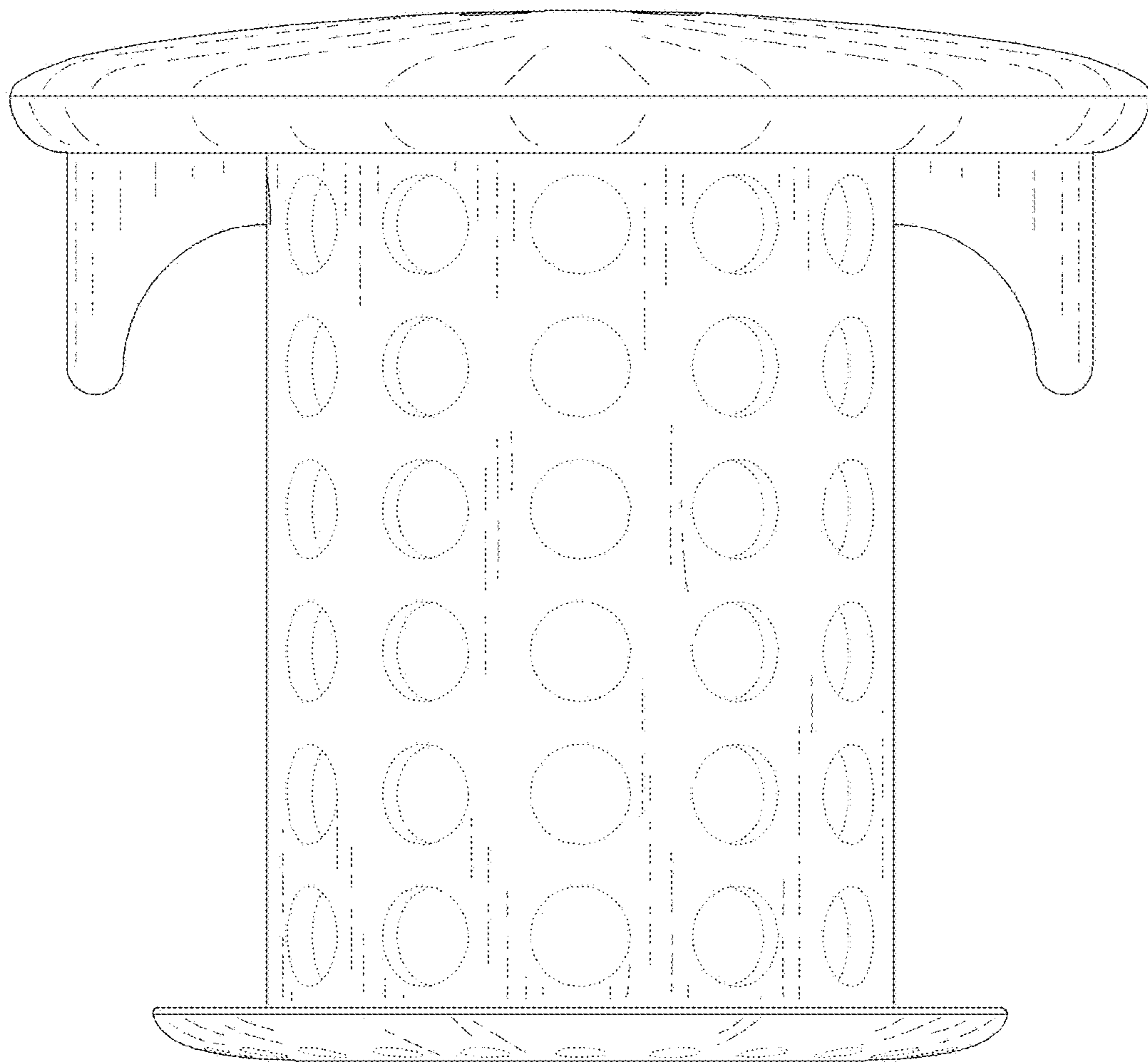


FIG. 4

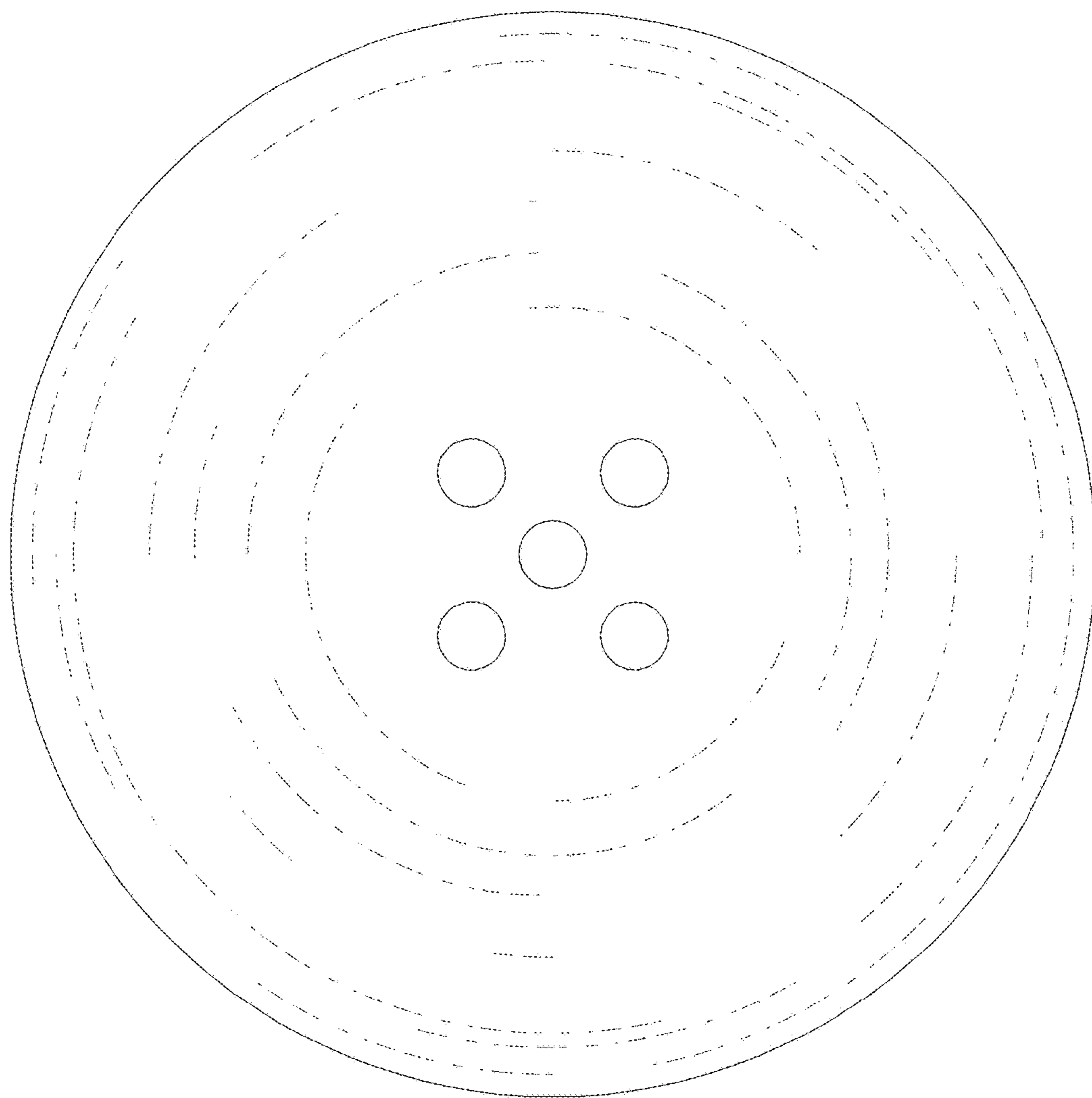


FIG. 5

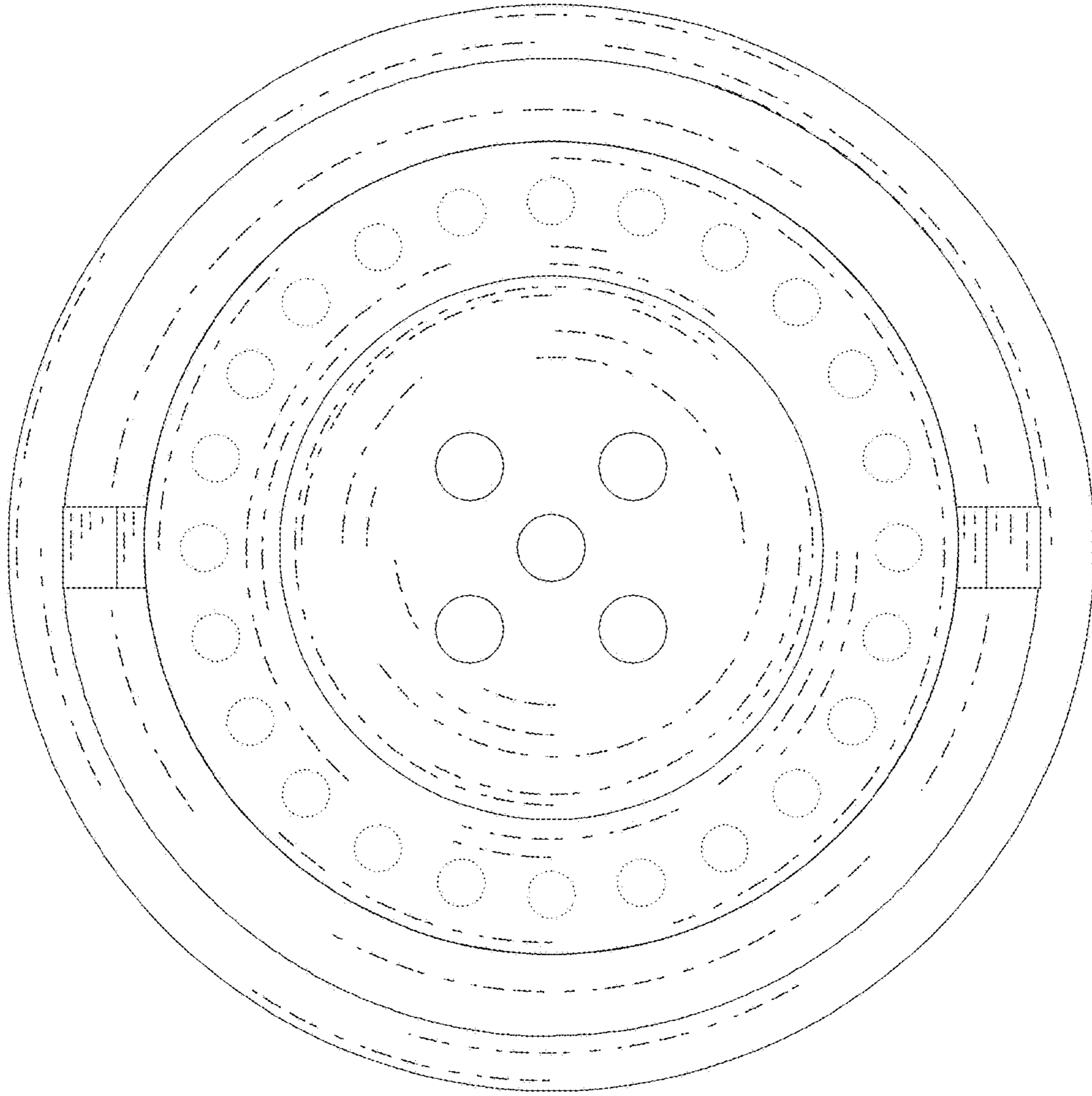


FIG. 6



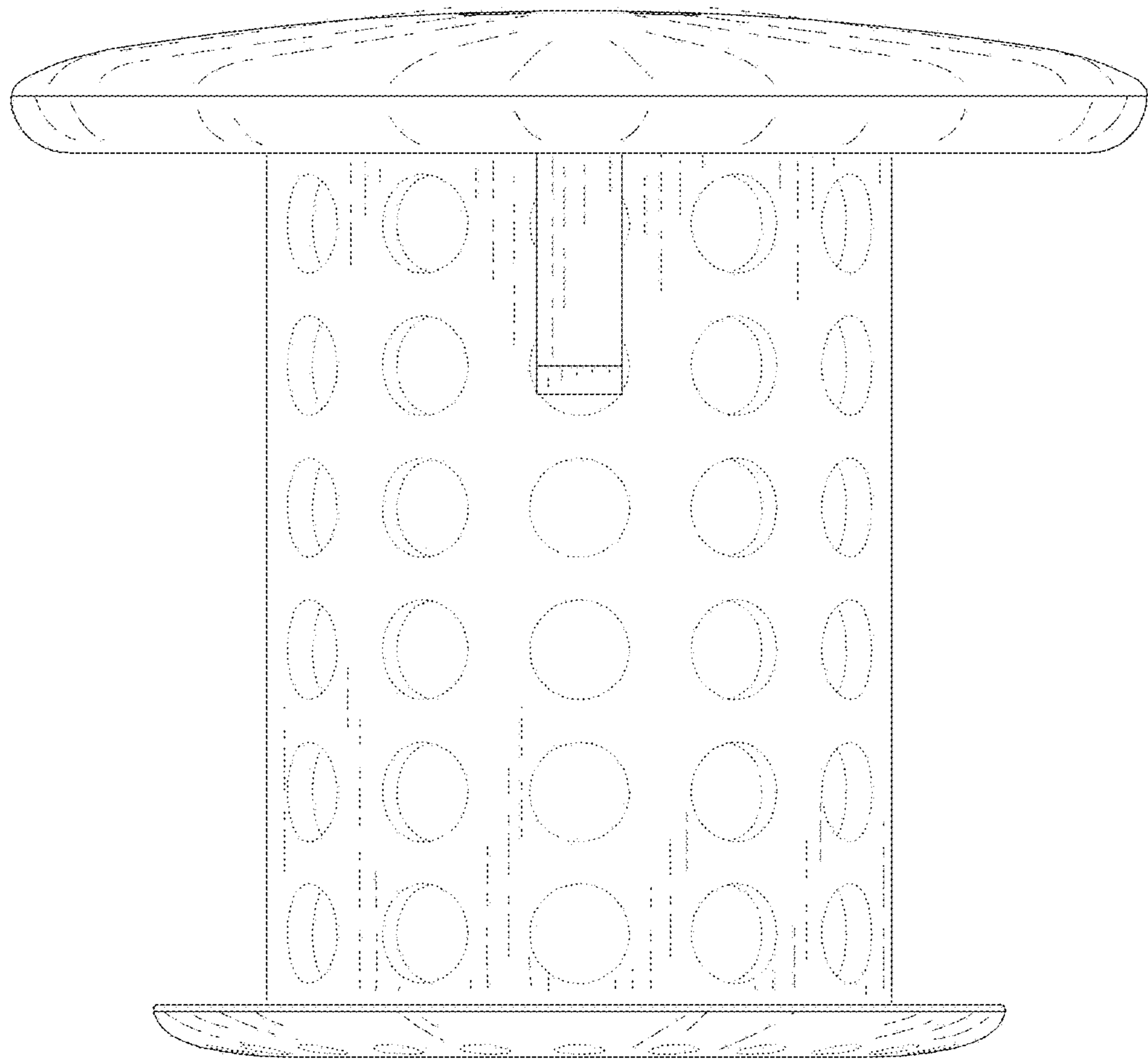


FIG. 7

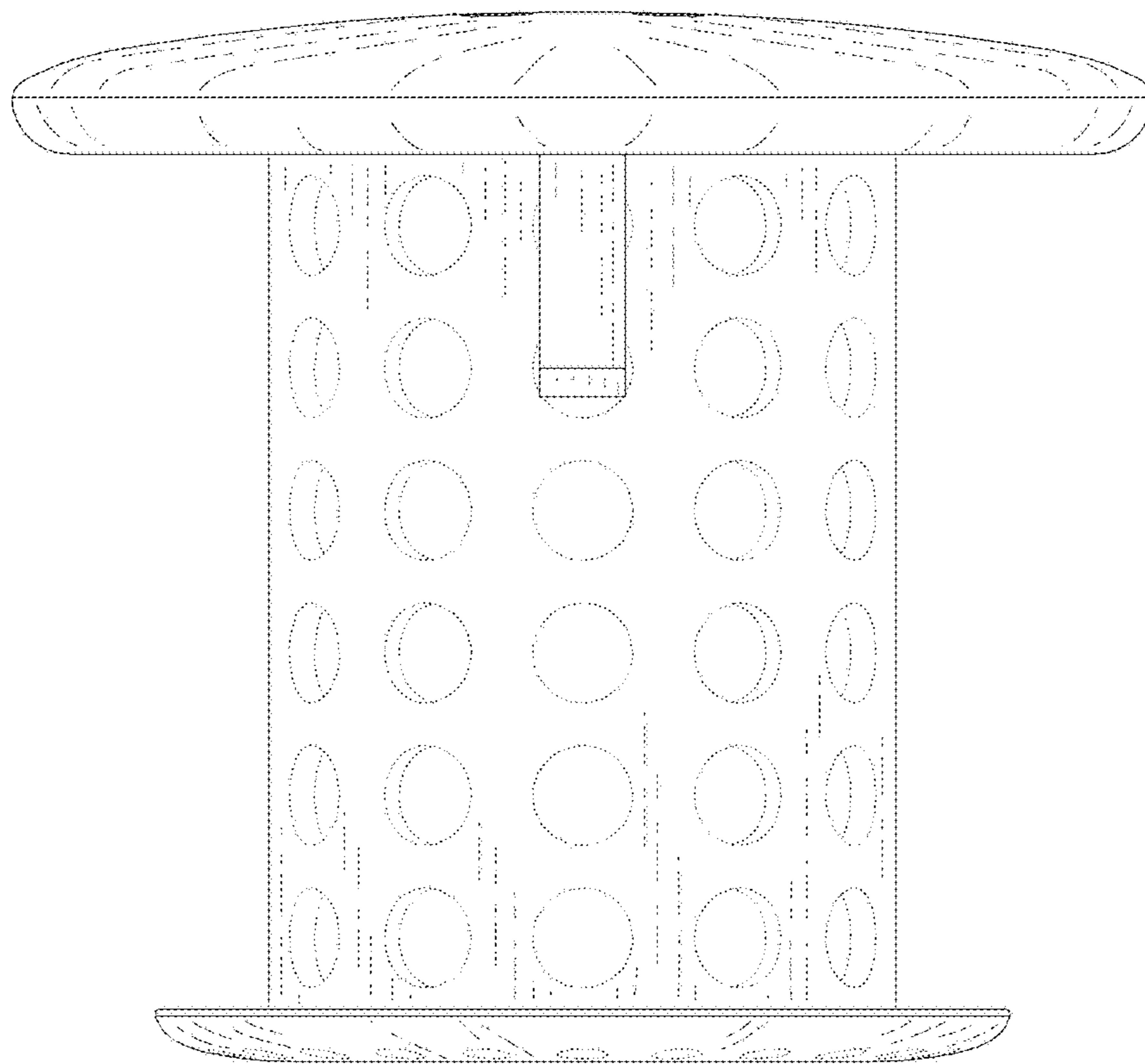


FIG. 8