



US00D783129S

(12) **United States Design Patent** (10) **Patent No.:** **US D783,129 S**  
**Edwards** (45) **Date of Patent:** **\*\* Apr. 4, 2017**

(54) **WATER FLOW REGULATOR**  
(71) Applicant: **VALTERRA PRODUCTS, LLC**,  
Mission Hills, CA (US)  
(72) Inventor: **Kevin Edwards**, Woodland Hills, CA  
(US)  
(73) Assignee: **Valterra Products, LLC**, Mission  
Hills, CA (US)  
(\*\*) Term: **15 Years**  
(21) Appl. No.: **29/535,871**  
(22) Filed: **Aug. 11, 2015**  
(51) **LOC (10) Cl.** ..... **23-01**  
(52) **U.S. Cl.**  
USPC ..... **D23/235**  
(58) **Field of Classification Search**  
USPC ..... D23/233-250, 213, 257.26, 387;  
137/565.13, 505, 508, 14, 413, 484.2,  
137/503, 505.29; 239/533.1, 533.3,  
239/533.6, 428.5, 552, 553, 553.5, 3,  
239/14.2, 67, 68, 69; 138/37, 40-42, 118;  
251/309-310  
CPC ..... F16K 15/026; F16K 5/0478; F17D 1/16;  
B05B 1/30; B05B 3/06; A01G 27/00;  
F15D 1/00  
See application file for complete search history.

D603,018 S \* 10/2009 Stein ..... D23/235  
D604,806 S \* 11/2009 Blum ..... D23/233  
D609,785 S \* 2/2010 Grether ..... D23/249  
D745,114 S \* 12/2015 Alexander ..... D23/235  
D758,543 S \* 6/2016 Greenwood ..... D23/235  
2006/0278727 A1\* 12/2006 Kah, Jr. .... B05B 1/3006  
239/67  
2007/0125424 A1\* 6/2007 Luo ..... F16K 5/0478  
137/14  
2011/0108636 A1\* 5/2011 Wright ..... B05B 3/002  
239/251  
2012/0153051 A1\* 6/2012 Kah, Jr. .... B05B 1/265  
239/533.1

\* cited by examiner

*Primary Examiner* — Cynthia Ramirez

*Assistant Examiner* — Gino Colan

(74) *Attorney, Agent, or Firm* — Christopher L. Makay

(56) **References Cited**  
U.S. PATENT DOCUMENTS  
4,971,117 A \* 11/1990 Hendrickson ..... F15D 1/0005  
138/41  
D428,483 S \* 7/2000 Balint ..... D23/387

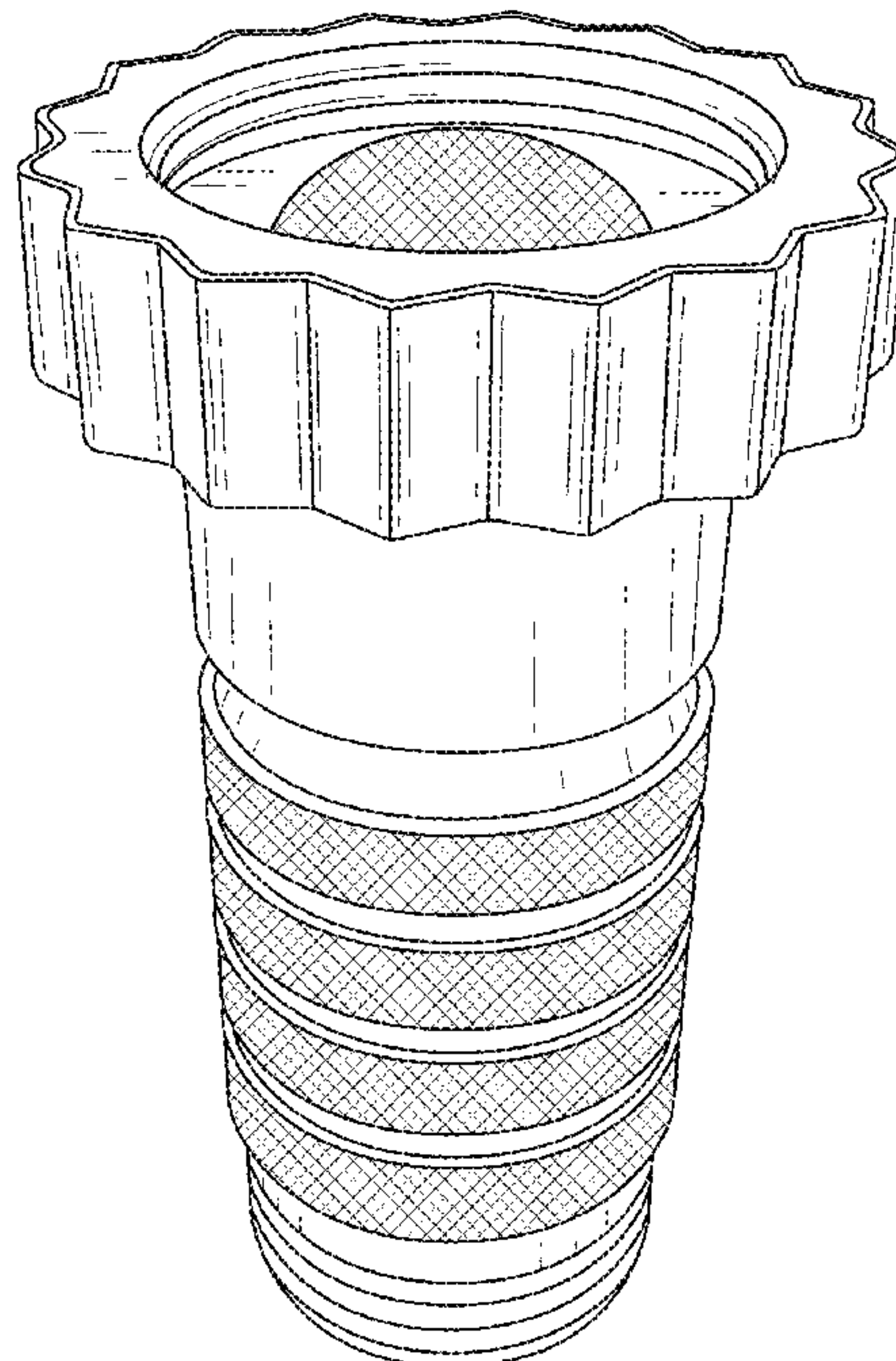
(57) **CLAIM**

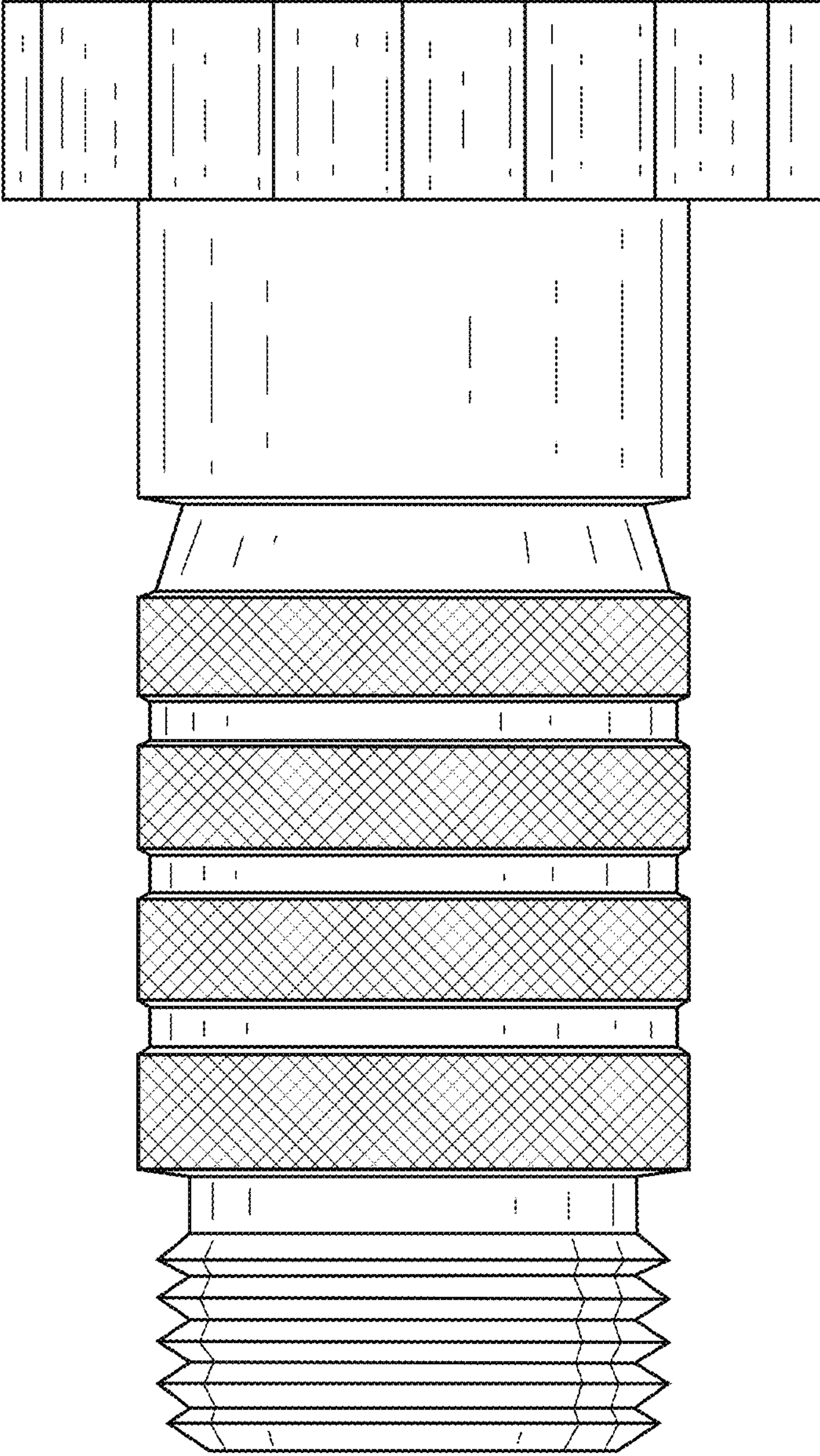
The ornamental design for an water flow regulator, as shown and described.

**DESCRIPTION**

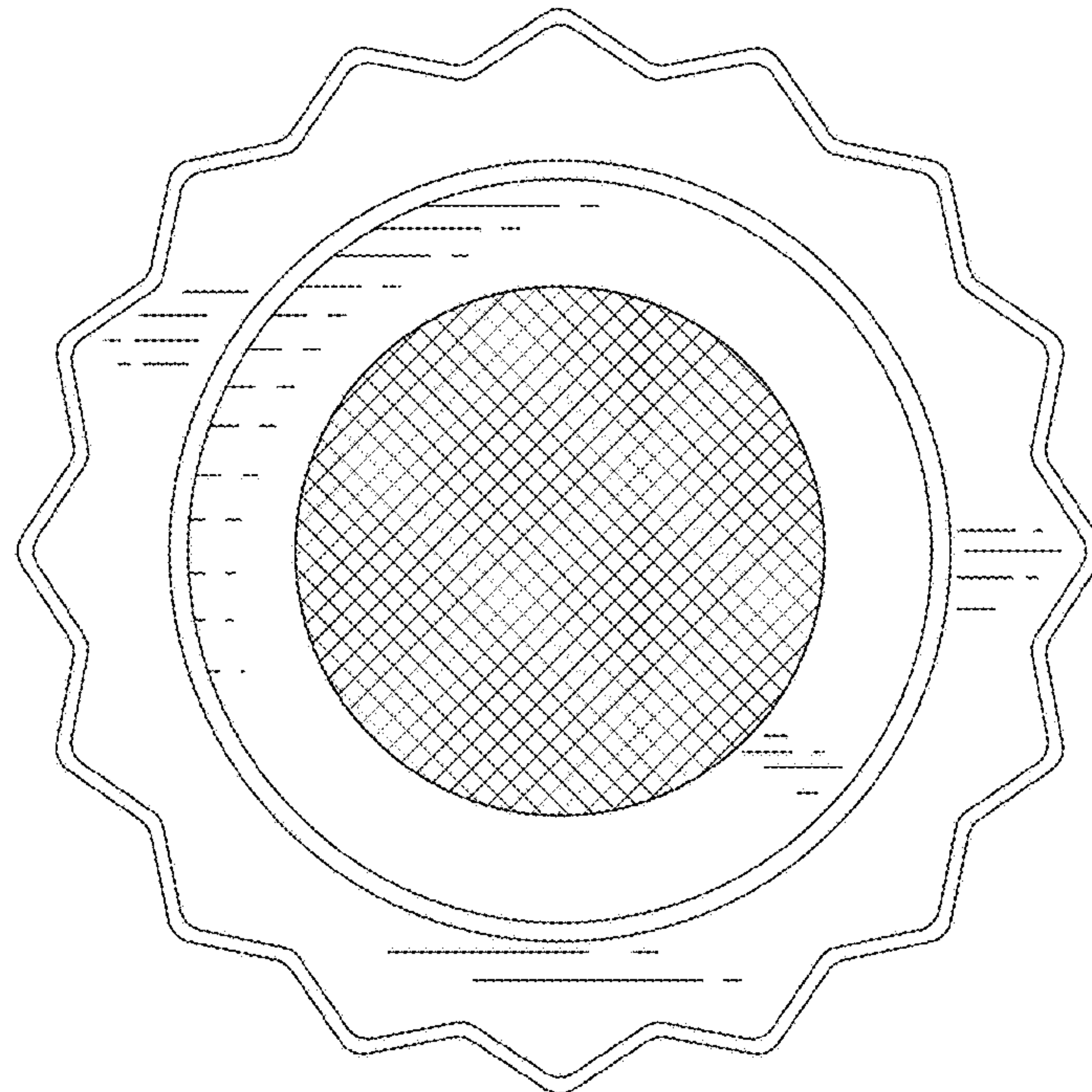
FIG. 1 is a side view of the water flow regulator;  
FIG. 2 is a front view thereof;  
FIG. 3 is a rear view thereof; and,  
FIG. 4 is a perspective view thereof.

**1 Claim, 3 Drawing Sheets**

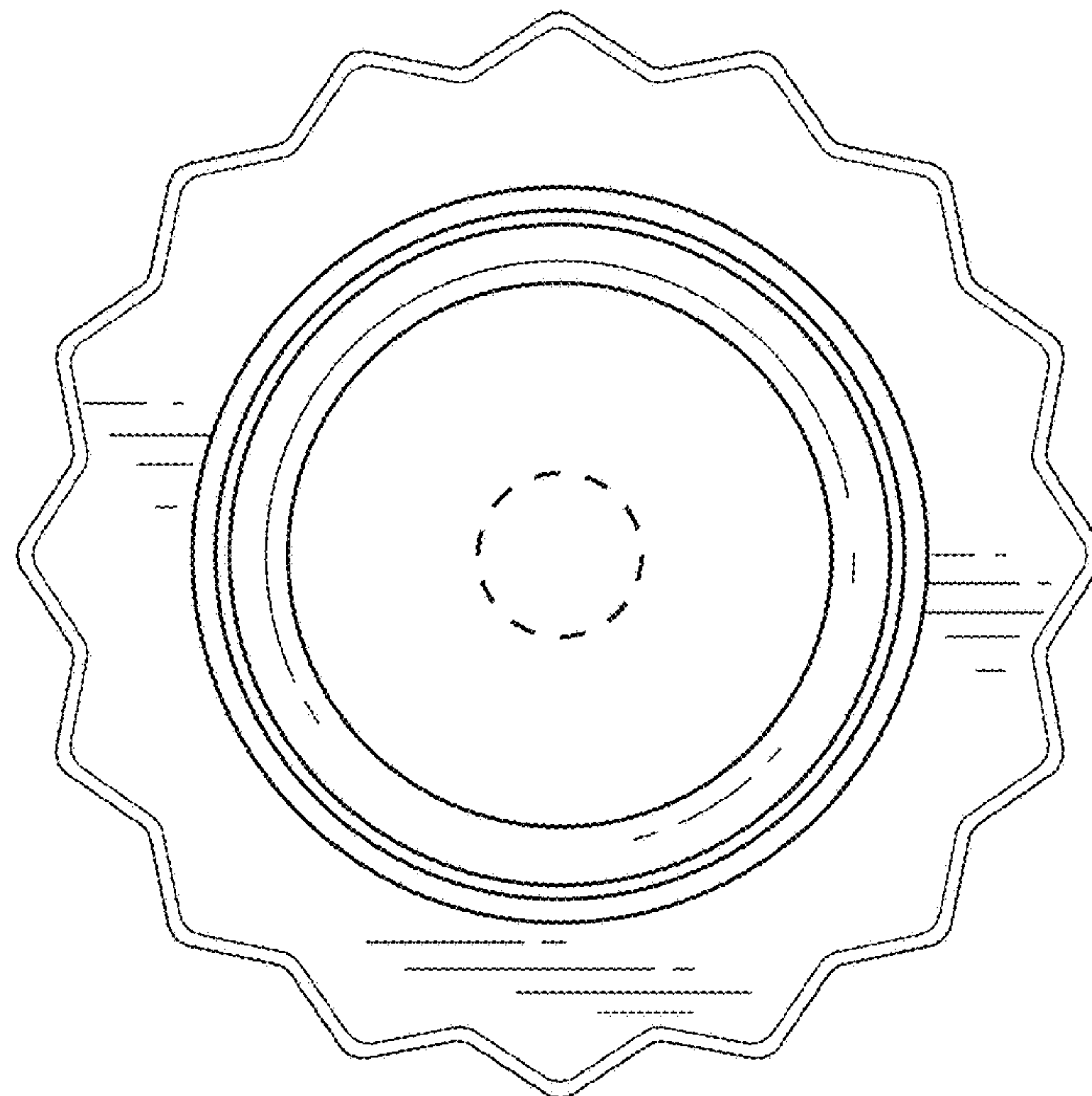




*Fig. 1*

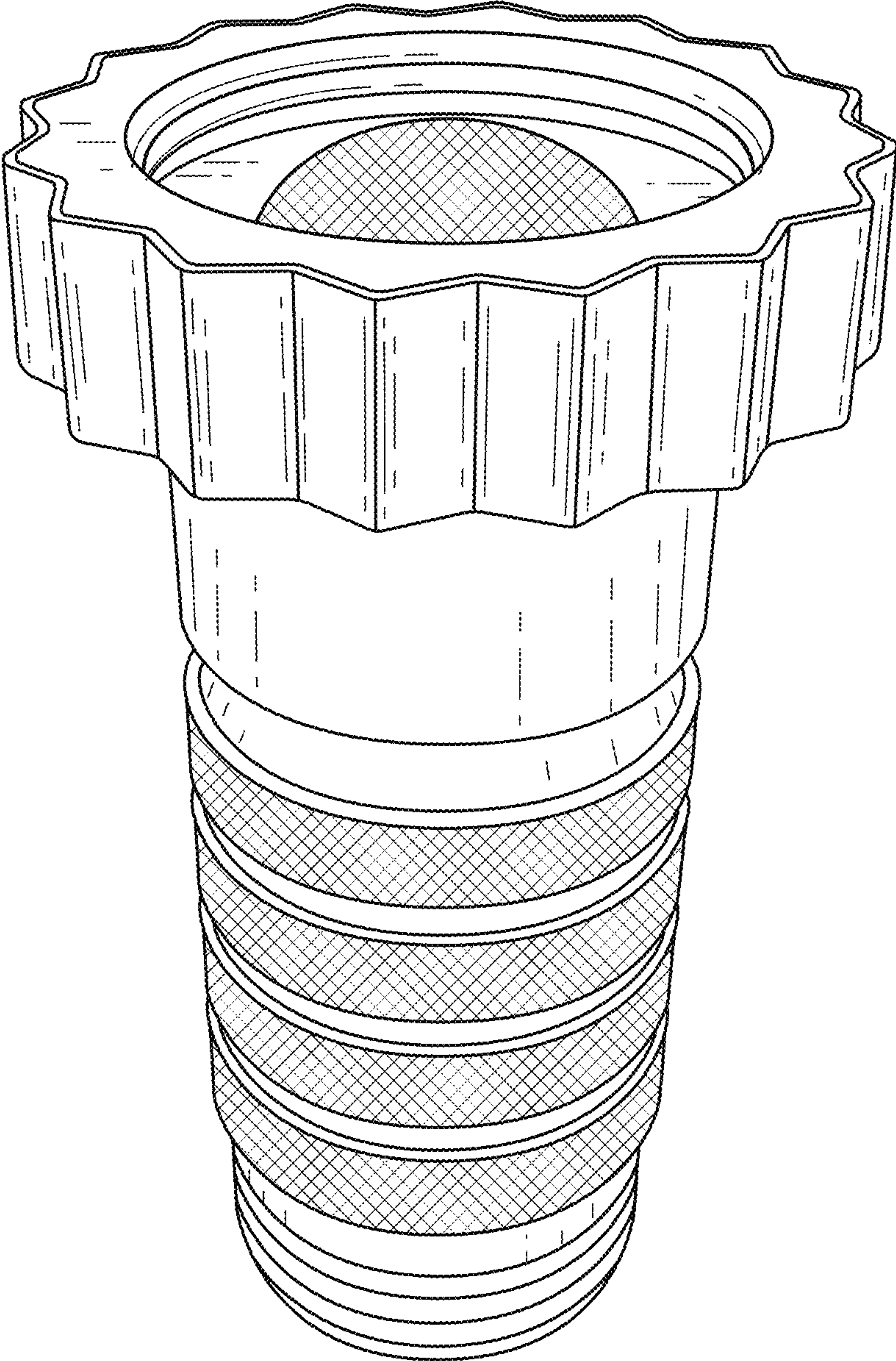


*Fig. 2*



*Fig. 3*





*Fig. 4*