



US00D783126S

(12) **United States Design Patent**  
**Morodomi**

(10) **Patent No.:** **US D783,126 S**

(45) **Date of Patent:** **\*\* Apr. 4, 2017**

(54) **ELECTROMAGNETIC VALVE**

(71) Applicant: **Yoichi Morodomi**, Tsukubamirai (JP)

(72) Inventor: **Yoichi Morodomi**, Tsukubamirai (JP)

(73) Assignee: **SMC Corporation**, Chiyoda-ku, Tokyo (JP)

(\*\*) Term: **15 Years**

(21) Appl. No.: **29/559,926**

(22) Filed: **Apr. 1, 2016**

(30) **Foreign Application Priority Data**

Oct. 9, 2015 (JP) ..... 2015-022319

(51) **LOC (10) Cl.** ..... **23-01**

(52) **U.S. Cl.**  
USPC ..... **D23/233**

(58) **Field of Classification Search**

USPC ..... D15/7, 199; D23/233-249, 259, 270, D23/271; 4/305; 137/554, 557, 560, 882, 137/343, 625.64, 269, 271, 487.5, 599.07, 137/656.6, 596.14, 115.23, 15.2, 1, 57, 137/50; 251/331, 219, 15, 130, 129.04, 251/129.15, 129.01, 30.04, 25, 38, 28, 41, 251/172; 239/585.1

CPC . E03D 5/10; E03D 13/00; F16K 31/02; F16K 13/06; H01F 7/081; Y10T 137/86582; Y10T 137/7762; Y10T 137/7758; Y10T 137/87193; Y10T 137/7768; Y10T 137/8326; Y10T 137/7765; Y10T 137/87225

See application file for complete search history.

(56) **References Cited**

**U.S. PATENT DOCUMENTS**

D409,279 S \* 5/1999 Hayashi ..... D23/233  
D414,545 S \* 9/1999 Hayashi ..... D23/233

D415,256 S \* 10/1999 Hayashi ..... D23/233  
D416,309 S \* 11/1999 Hayashi ..... D23/233  
D533,255 S \* 12/2006 Miyazoe ..... D23/233  
D545,944 S \* 7/2007 Miyazoe ..... D23/233  
D692,098 S \* 10/2013 Fukano ..... D23/233  
D753,797 S \* 4/2016 Suematsu ..... D23/233

\* cited by examiner

*Primary Examiner* — Cynthia Ramirez

*Assistant Examiner* — Michael Maharajh

(74) *Attorney, Agent, or Firm* — Yokoi & Co., U.S.A.;  
Toshiyuki Yokoi

(57) **CLAIM**

The ornamental design for an electromagnetic valve, as shown and described.

**DESCRIPTION**

FIG. 1 shows a front view of an electromagnetic valve showing my new design;

FIG. 2 shows a rear view thereof;

FIG. 3 shows a right side view thereof;

FIG. 4 shows a left side view thereof;

FIG. 5 shows a top view thereof;

FIG. 6 shows a bottom view thereof;

FIG. 7 shows a top, front and left side perspective view thereof;

FIG. 8 shows a bottom, front and right side perspective view thereof;

FIG. 9 shows a top, rear and left side perspective view thereof; and,

FIG. 10 shows a bottom, rear and right side perspective view thereof.

The portions of the design shown in broken lines in FIGS. 1-10 are for the purpose of illustrating the environment only and form no part of the claimed design.

**1 Claim, 9 Drawing Sheets**

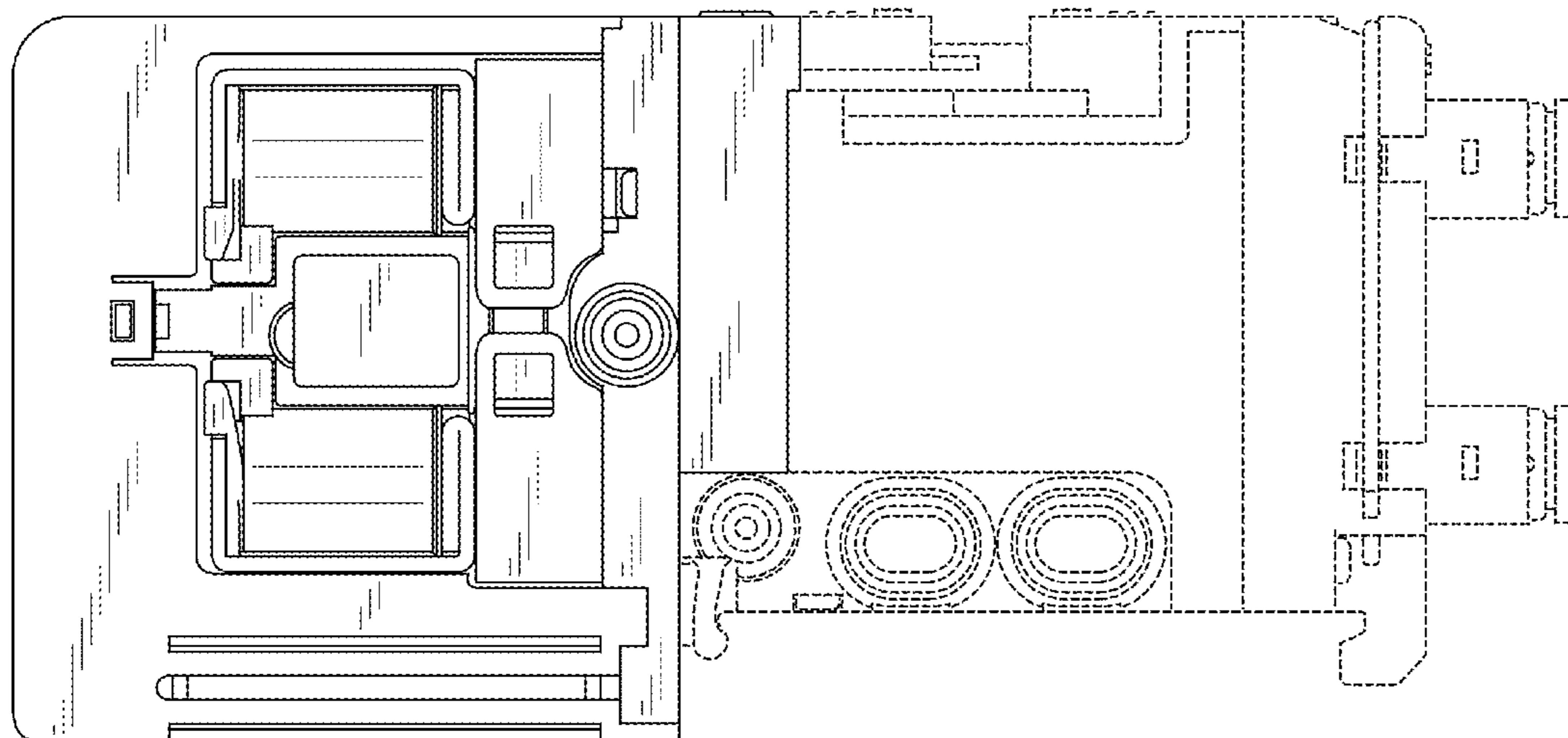


FIG. 1

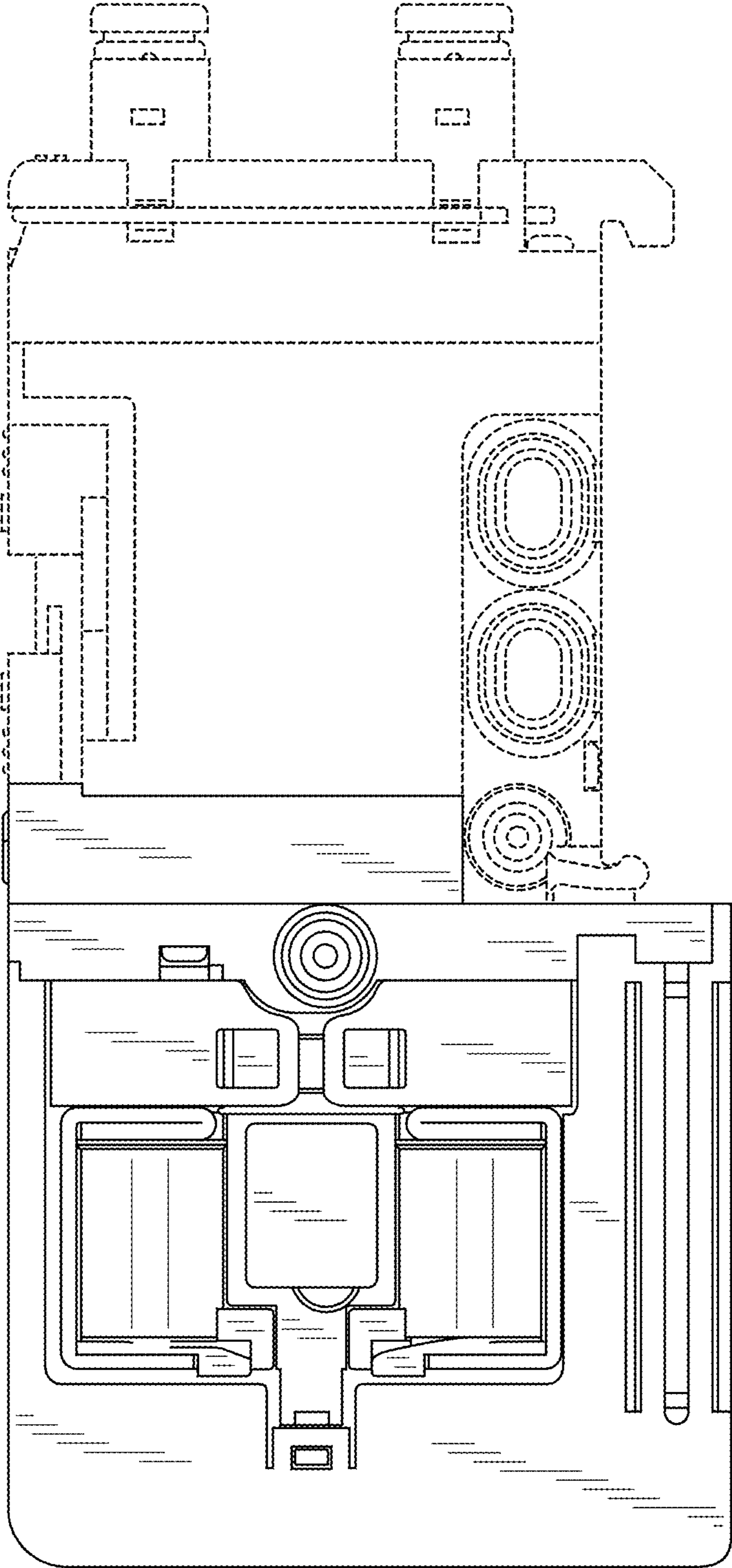


FIG. 2

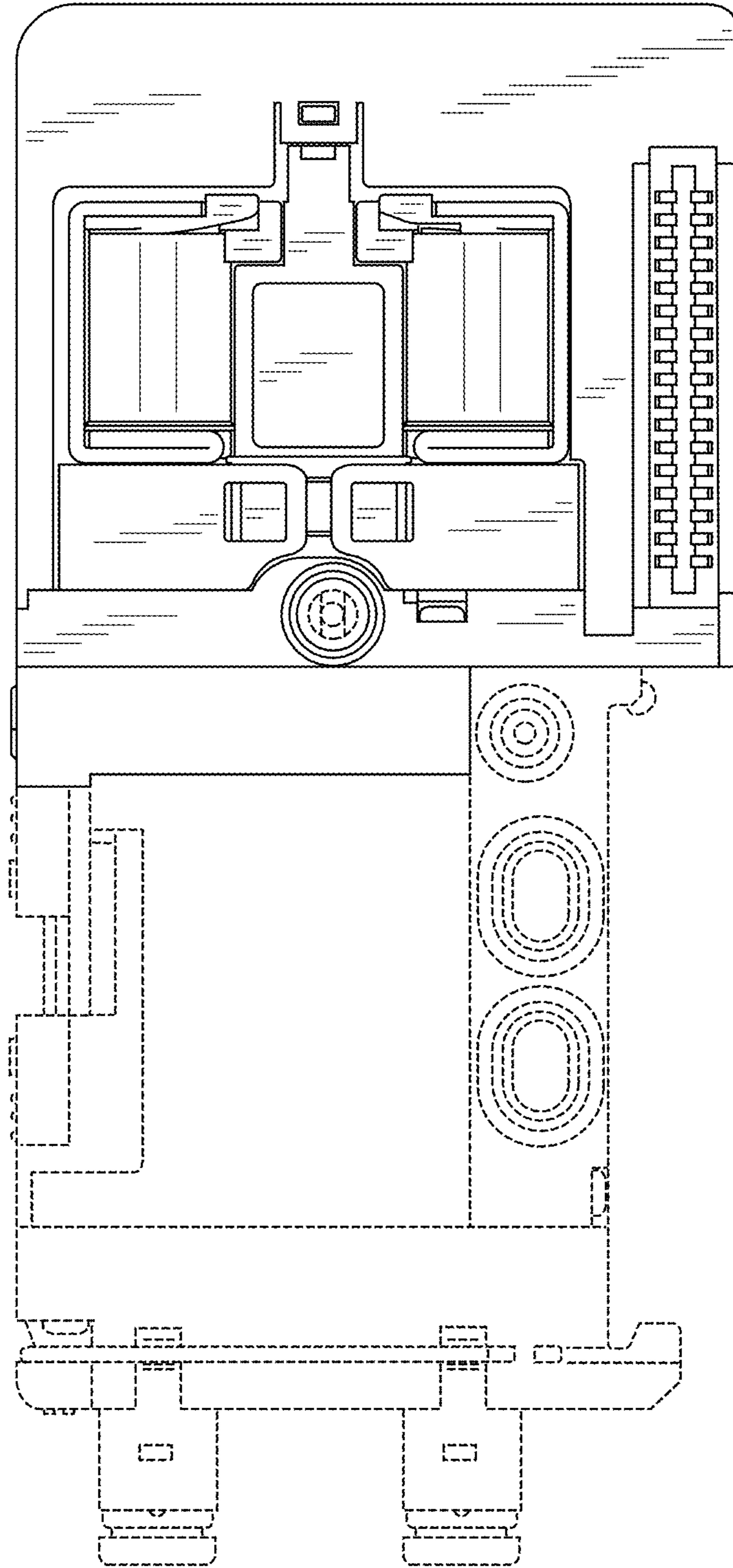


FIG. 3

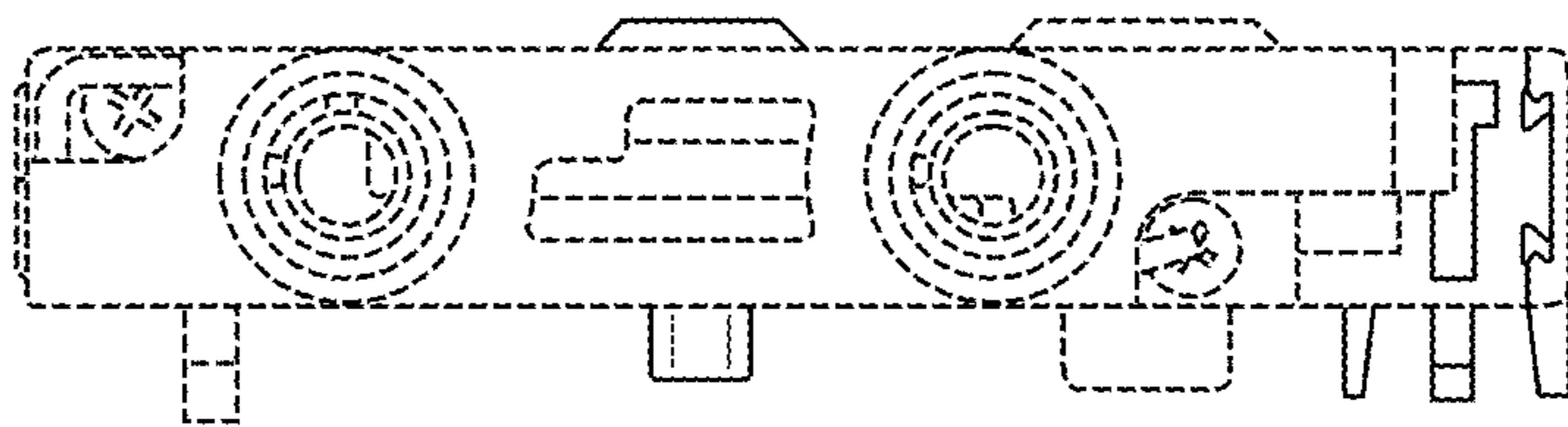


FIG. 4

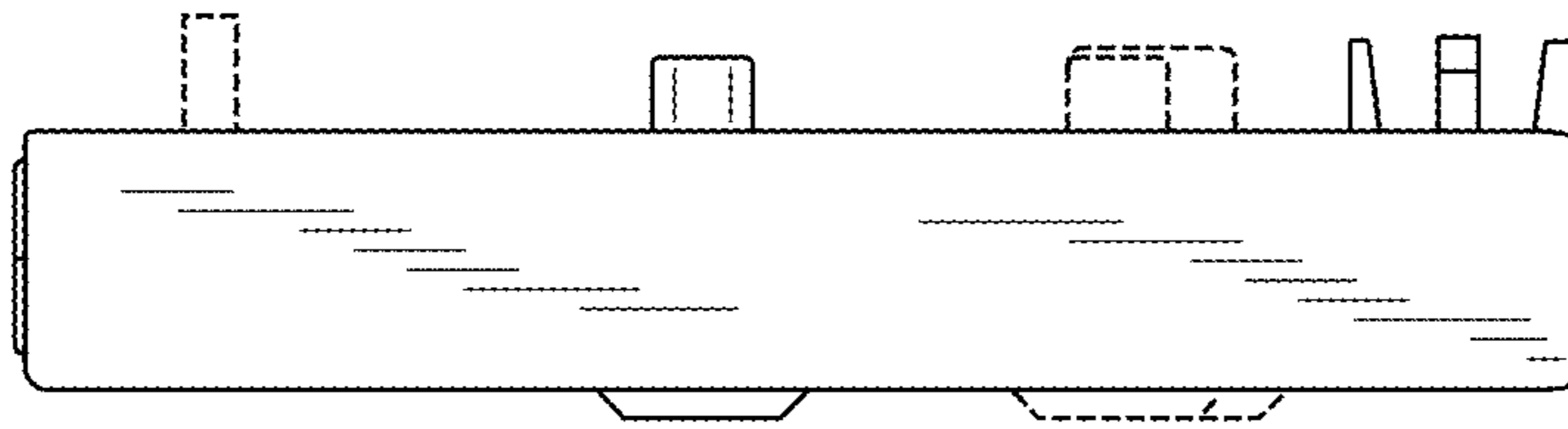


FIG. 5

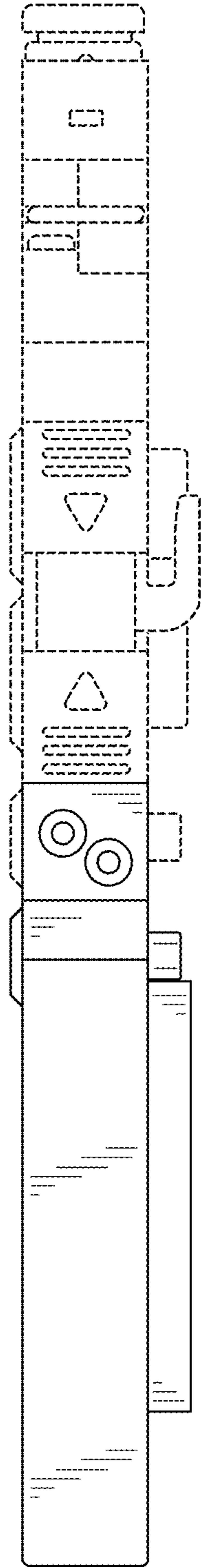


FIG. 6

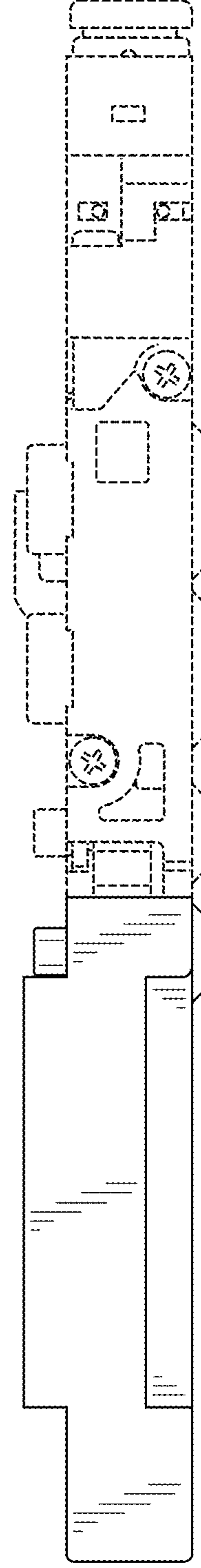


FIG. 7

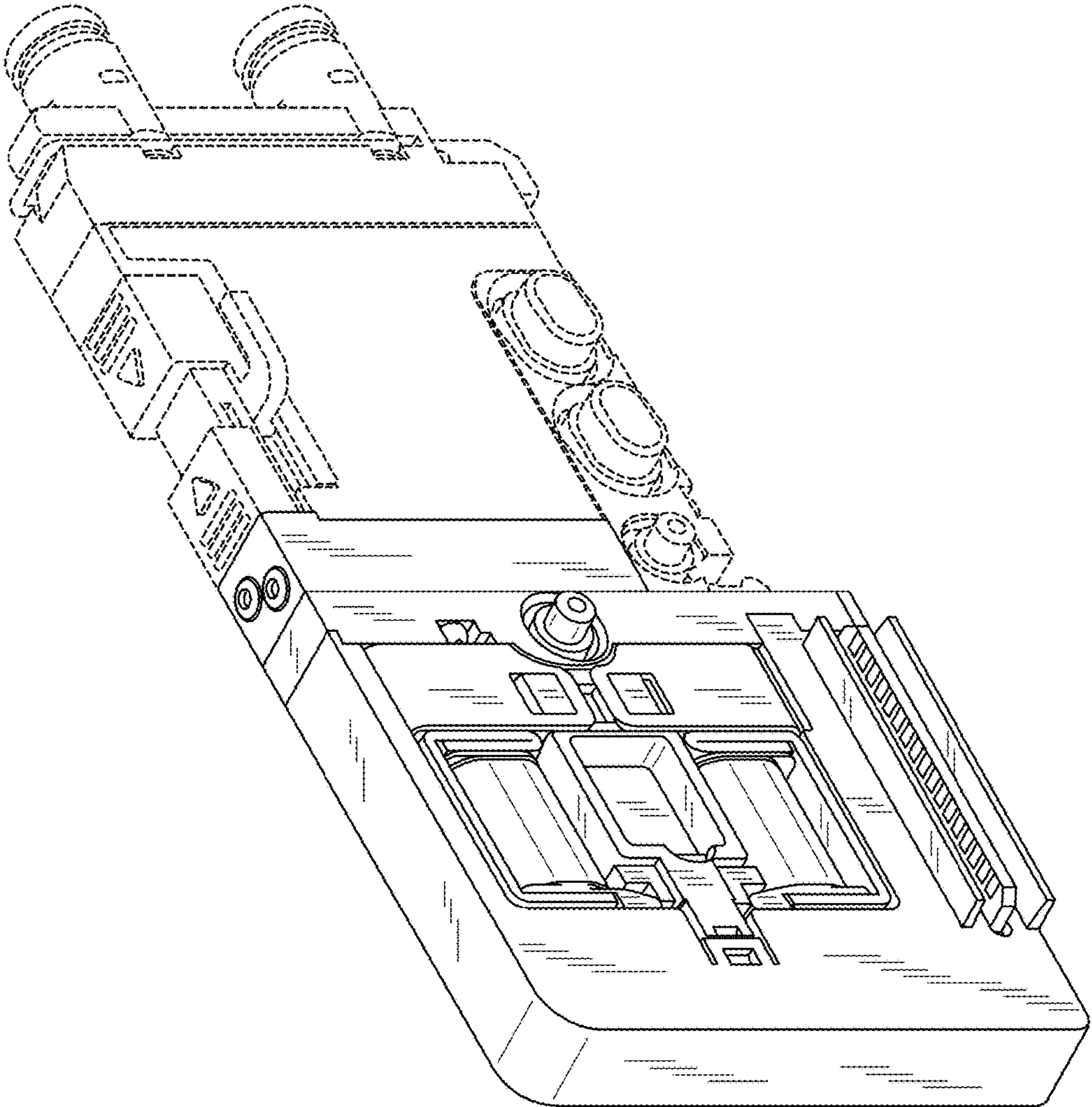


FIG. 8

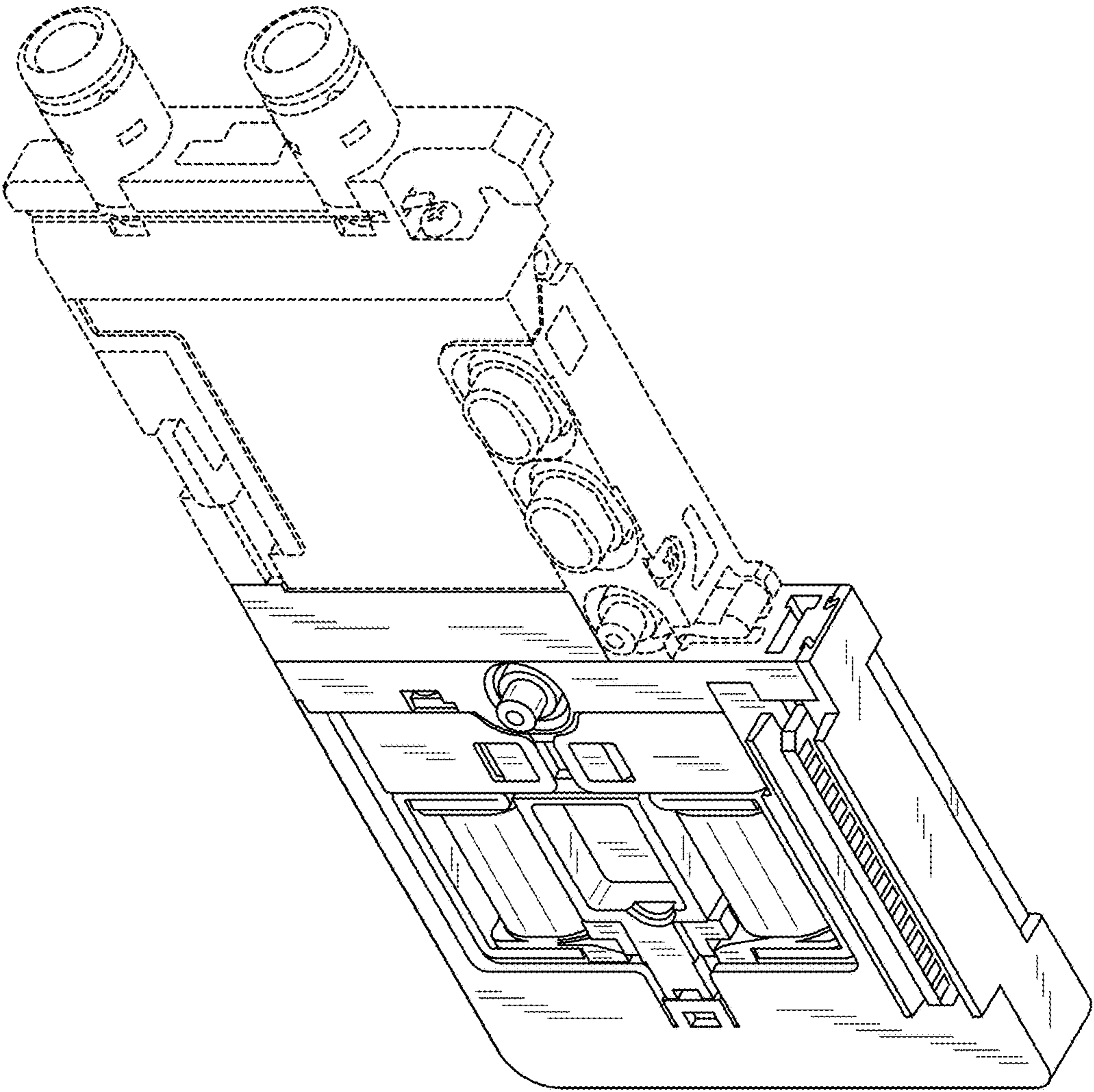




FIG. 9

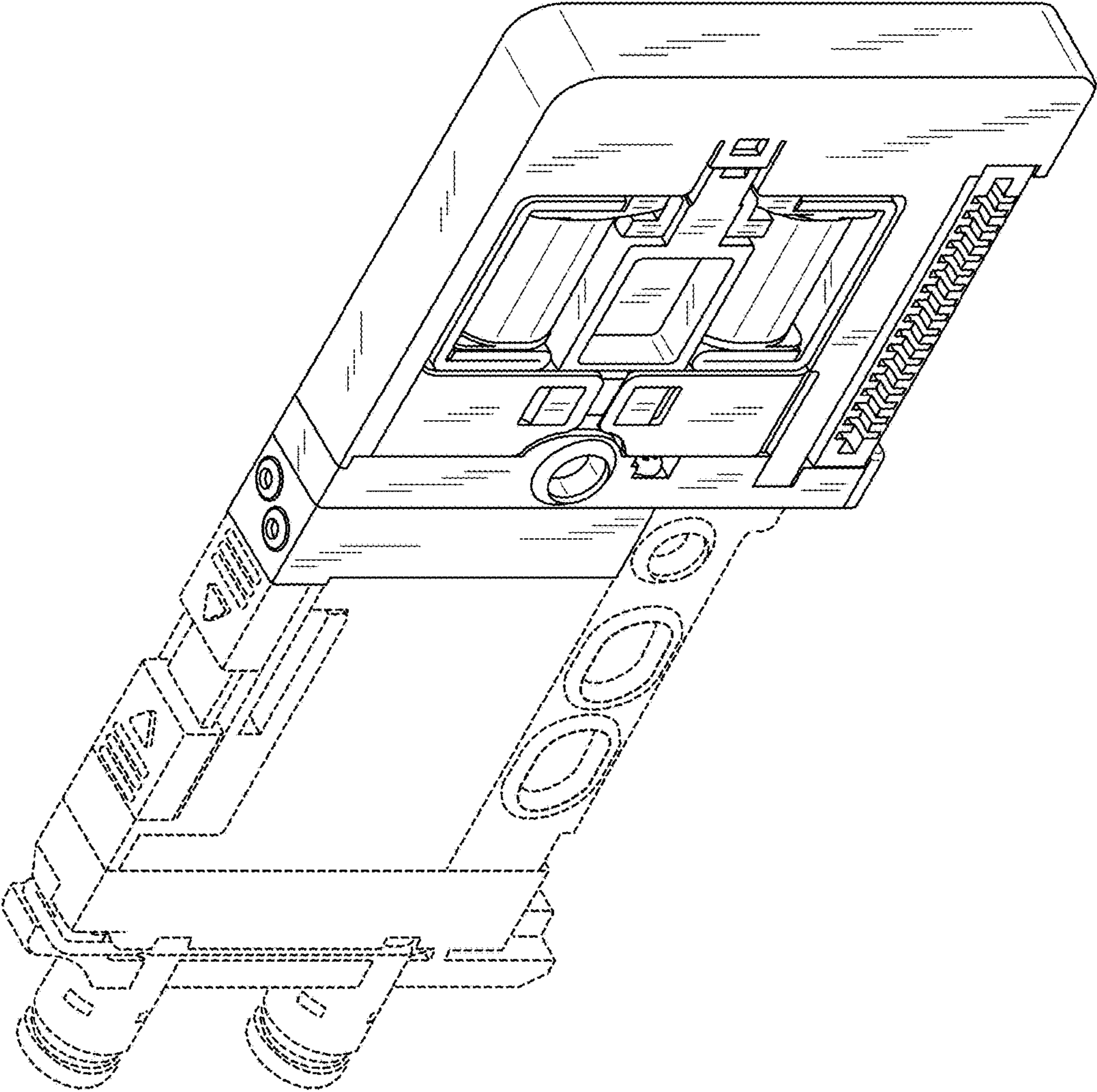


FIG. 10

