



US00D783125S

(12) **United States Design Patent**  
**Chen**

(10) **Patent No.:** **US D783,125 S**

(45) **Date of Patent:** **\*\* Apr. 4, 2017**

(54) **WATER SPRAYER**

D774,164 S \* 12/2016 Chen ..... D23/226

(71) Applicant: **Chin-Yuan Chen**, Changhua (TW)

\* cited by examiner

(72) Inventor: **Chin-Yuan Chen**, Changhua (TW)

*Primary Examiner* — Robin V Webster

(73) Assignee: **Shin Tai Spurt Water of The Garden Tools Co. Ltd.**, Changhua (TW)

(74) *Attorney, Agent, or Firm* — Che-Yang Chen; Law Offices of Scott Warmuth

(\*\*) Term: **15 Years**

(57) **CLAIM**

(21) Appl. No.: **29/553,908**

The ornamental design for a water sprayer, as shown and described.

(22) Filed: **Feb. 5, 2016**

(51) **LOC (10) Cl.** ..... **23-01**

(52) **U.S. Cl.**

USPC ..... **D23/226**

(58) **Field of Classification Search**

USPC ..... D23/213, 223, 226; 239/526; 4/615

CPC ..... B05B 9/01; B05B 7/02; B05B 12/002

See application file for complete search history.

**DESCRIPTION**

FIG. 1 is a perspective view of a water sprayer showing my new design;

FIG. 2 is a front elevational view thereof;

FIG. 3 is a rear elevational view thereof;

FIG. 4 is a left side elevational view thereof;

FIG. 5 is a right side elevational view thereof;

FIG. 6 is a top plan view thereof; and,

FIG. 7 is a bottom plan view thereof.

(56) **References Cited**

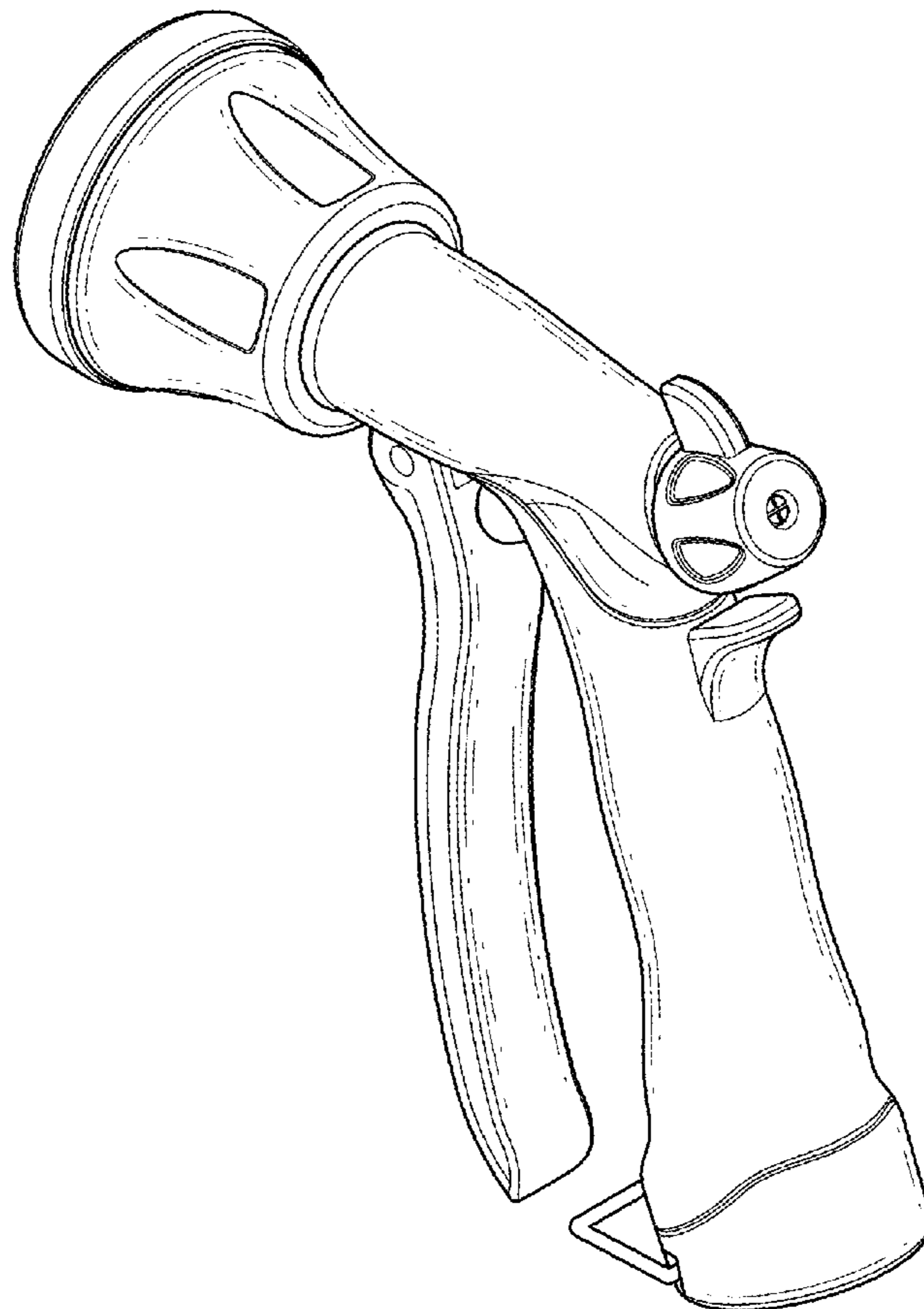
**U.S. PATENT DOCUMENTS**

D454,619 S \* 3/2002 Wang ..... D23/226

8,496,190 B2 \* 7/2013 Chen ..... B05B 9/01

239/394

**1 Claim, 4 Drawing Sheets**



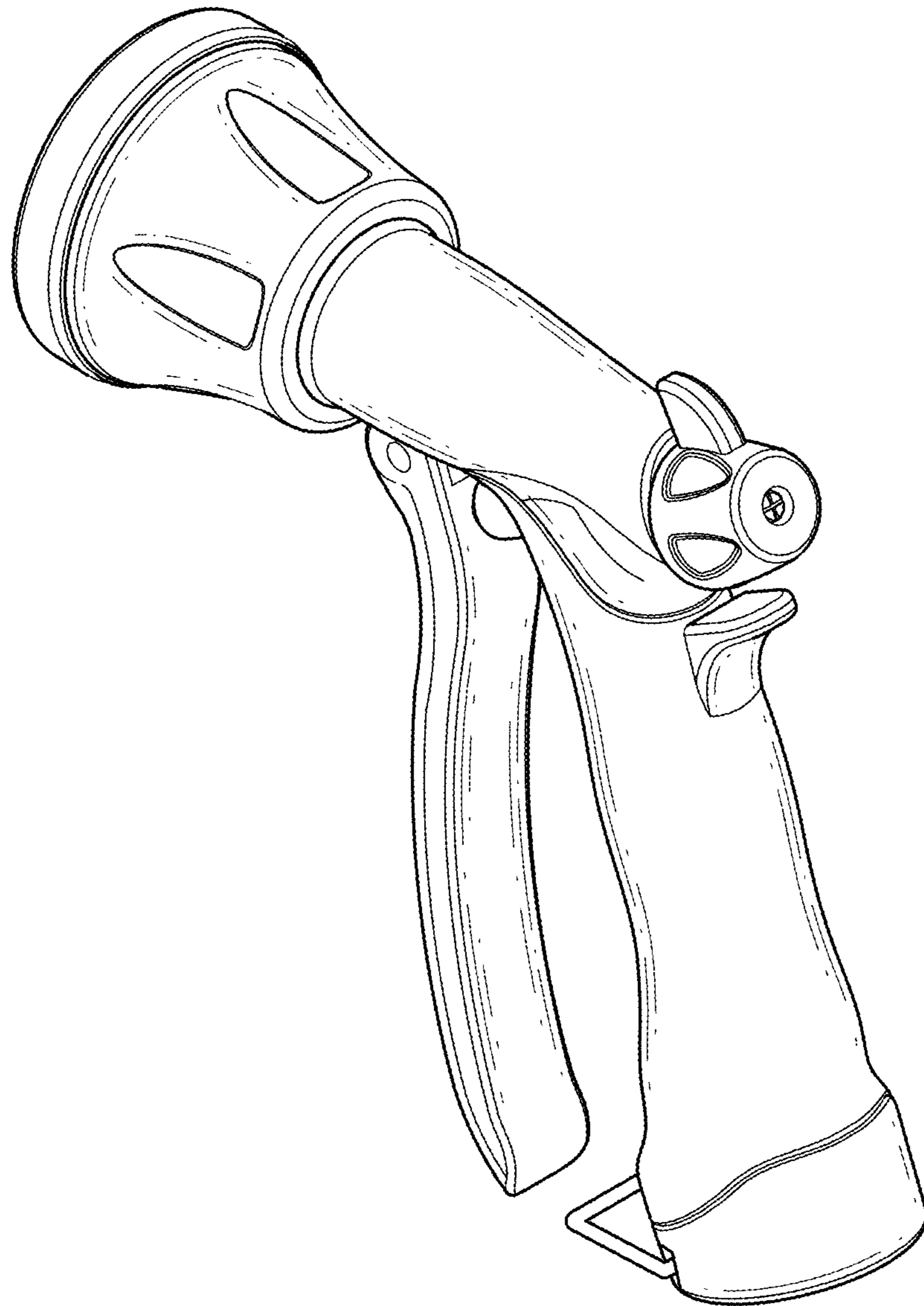


FIG. 1

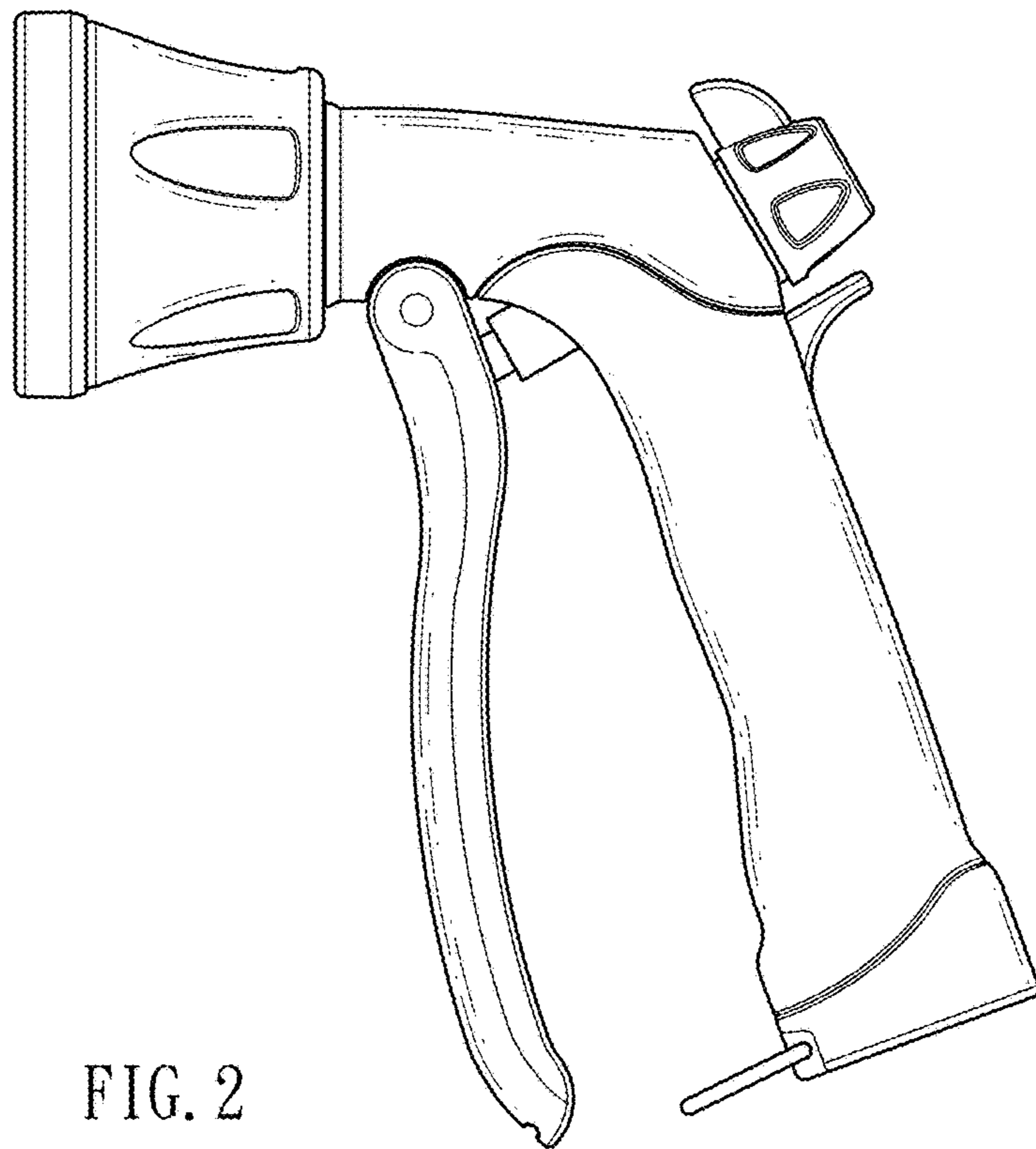


FIG. 2

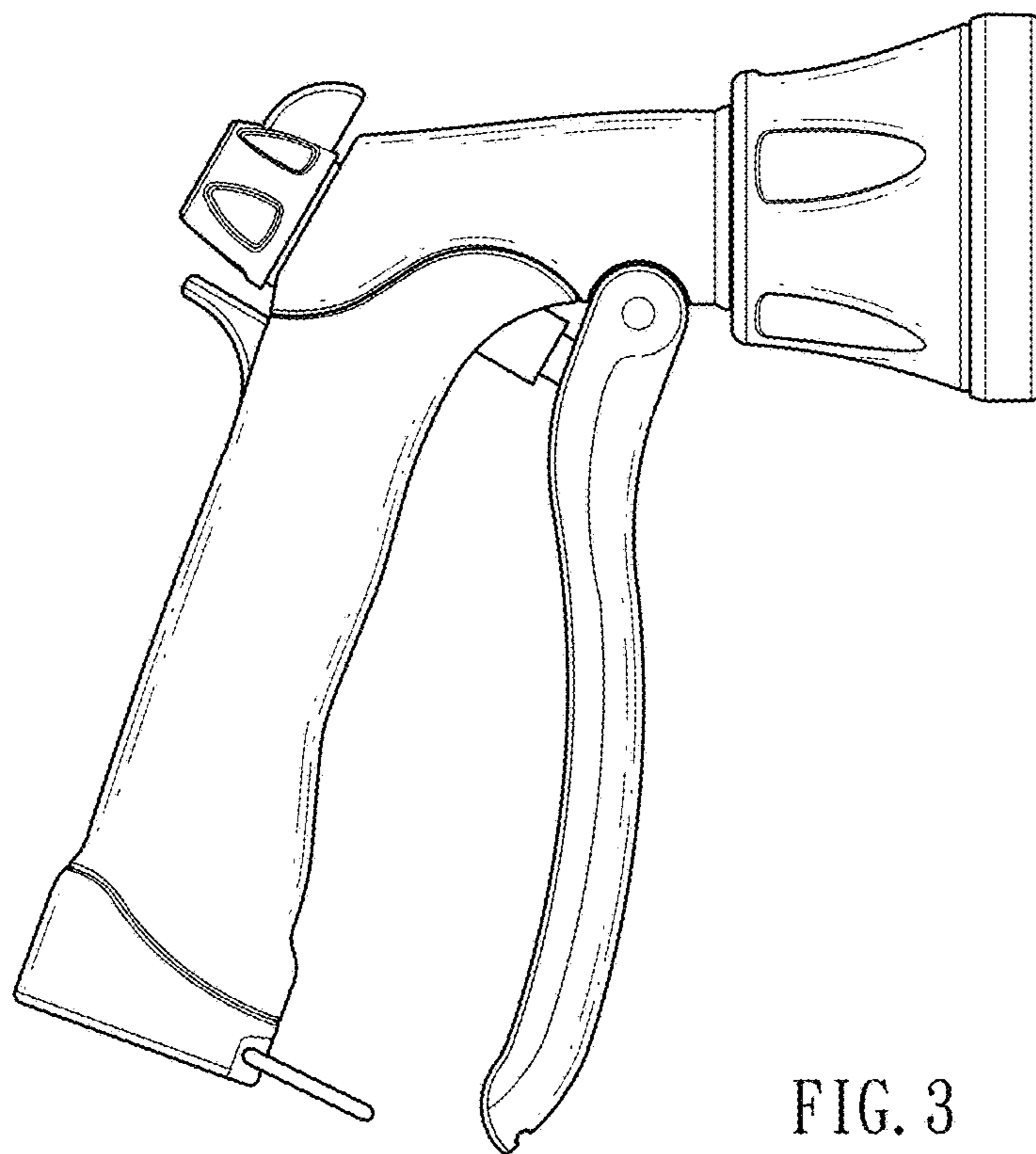


FIG. 3

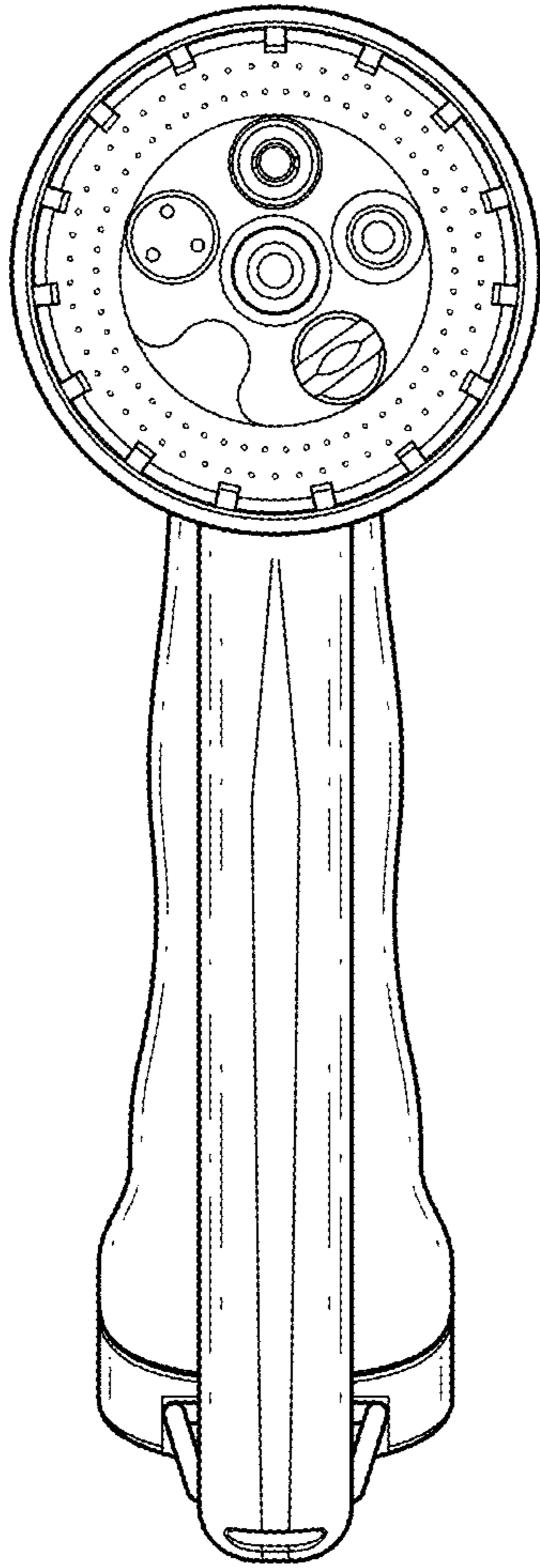


FIG. 4

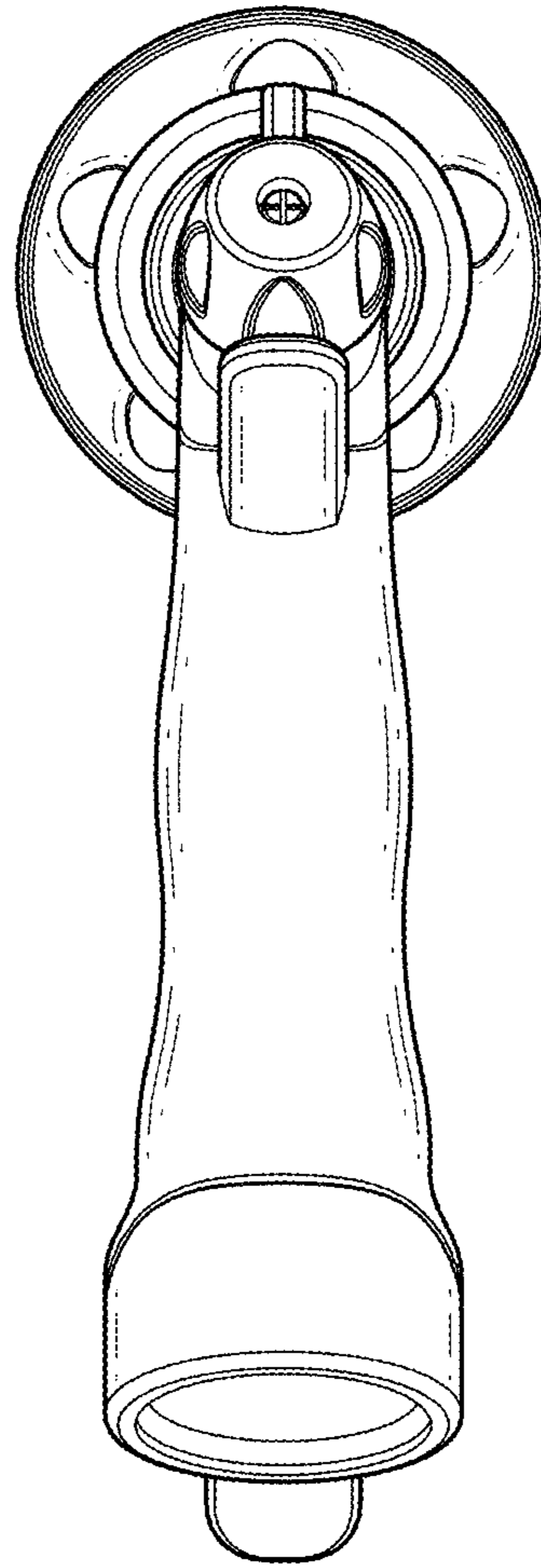


FIG. 5

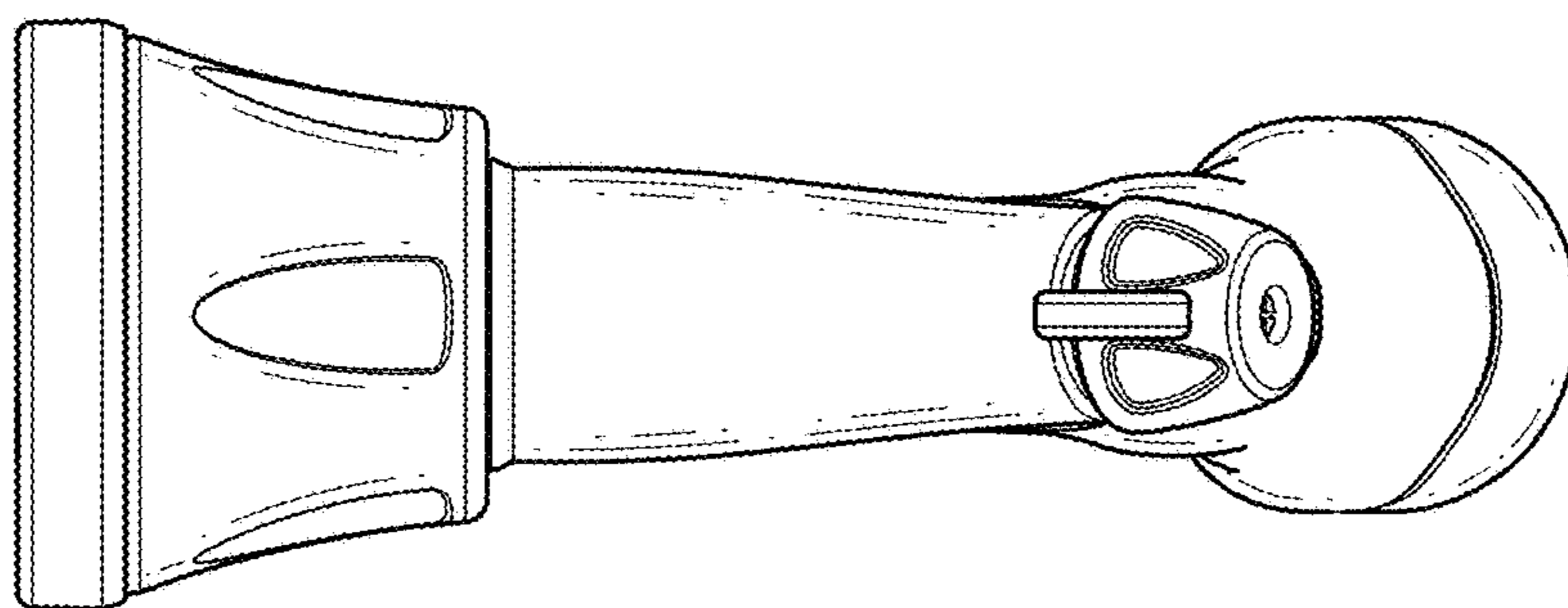


FIG. 6

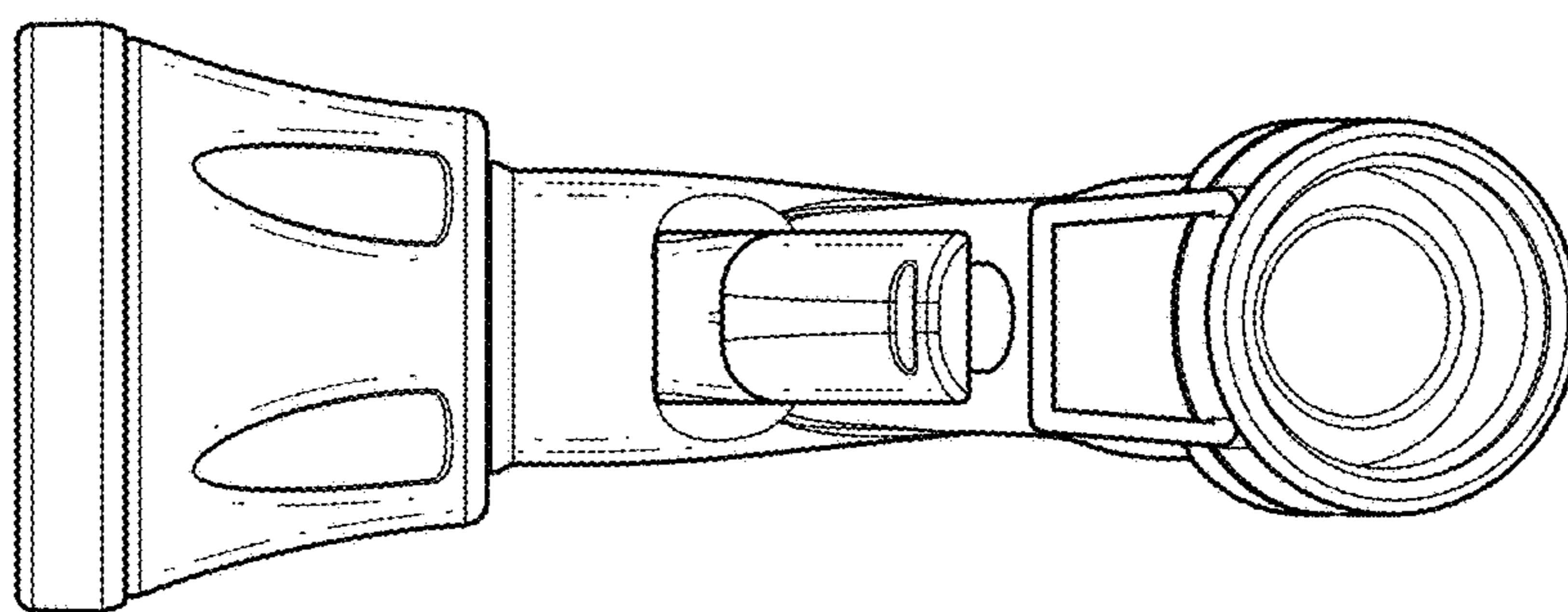


FIG. 7