



US00D783123S

(12) **United States Design Patent**
Chen

(10) **Patent No.:** **US D783,123 S**

(45) **Date of Patent:** **** Apr. 4, 2017**

(54) **WATER SPRAYER**

(71) Applicant: **Chin-Yuan Chen**, Changhua (TW)

(72) Inventor: **Chin-Yuan Chen**, Changhua (TW)

(73) Assignee: **Shin Tai Spurt Water of The Garden Tools Co. Ltd.**, Changhua (TW)

(**) Term: **15 Years**

(21) Appl. No.: **29/551,603**

(22) Filed: **Jan. 14, 2016**

(51) **LOC (10) Cl.** **23-01**

(52) **U.S. Cl.**
USPC **D23/226**

(58) **Field of Classification Search**
USPC D23/213, 223, 226; 239/526; 4/615
CPC B05B 9/01; B05B 7/02; B05B 12/002
See application file for complete search history.

(56) **References Cited**

U.S. PATENT DOCUMENTS

D454,619 S * 3/2002 Wang D23/226
8,496,190 B2 * 7/2013 Chen B05B 9/01
239/394
D774,164 S * 12/2016 Chen D23/226

* cited by examiner

Primary Examiner — Robin V Webster

(74) *Attorney, Agent, or Firm* — Che-Yang Chen; Law Offices of Scott Warmuth

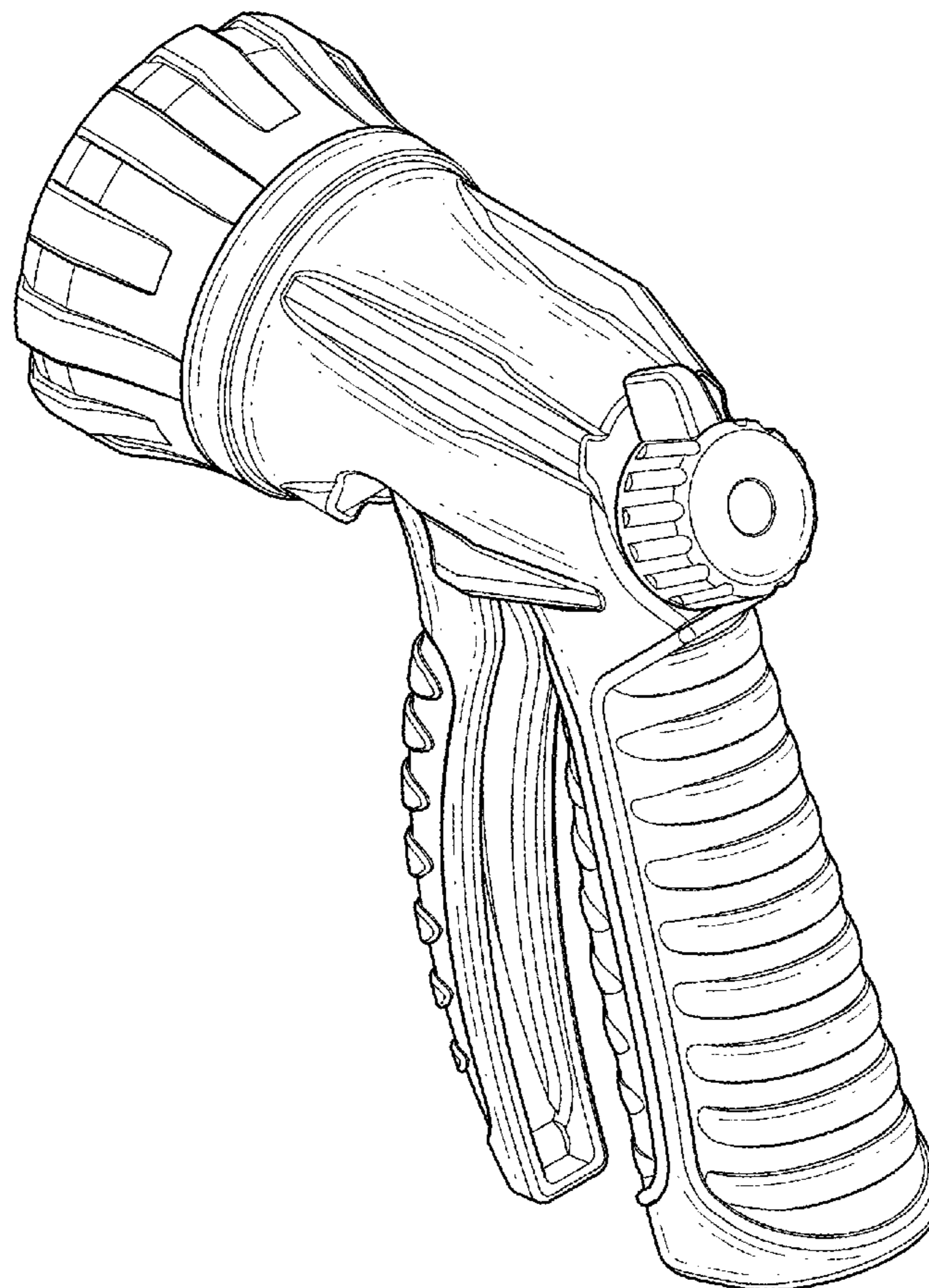
(57) **CLAIM**

The ornamental design for a water sprayer, as shown and described.

DESCRIPTION

FIG. 1 is a perspective view of a water sprayer showing my new design;
FIG. 2 is a front elevational view thereof;
FIG. 3 is a rear elevational view thereof;
FIG. 4 is a left side elevational view thereof;
FIG. 5 is a right side elevational view thereof;
FIG. 6 is a top plan view thereof; and,
FIG. 7 is a bottom plan view thereof.

1 Claim, 4 Drawing Sheets



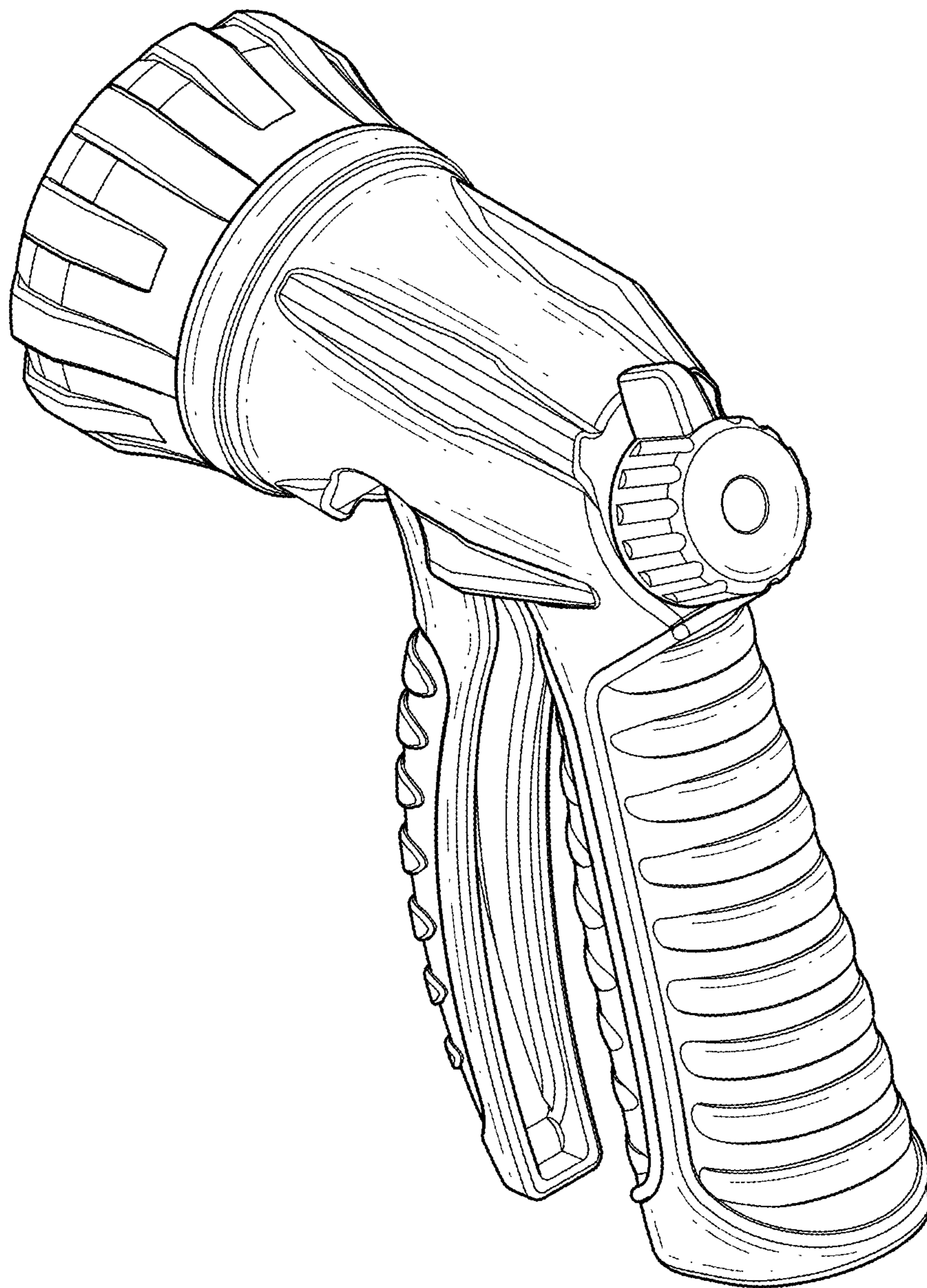


FIG. 1

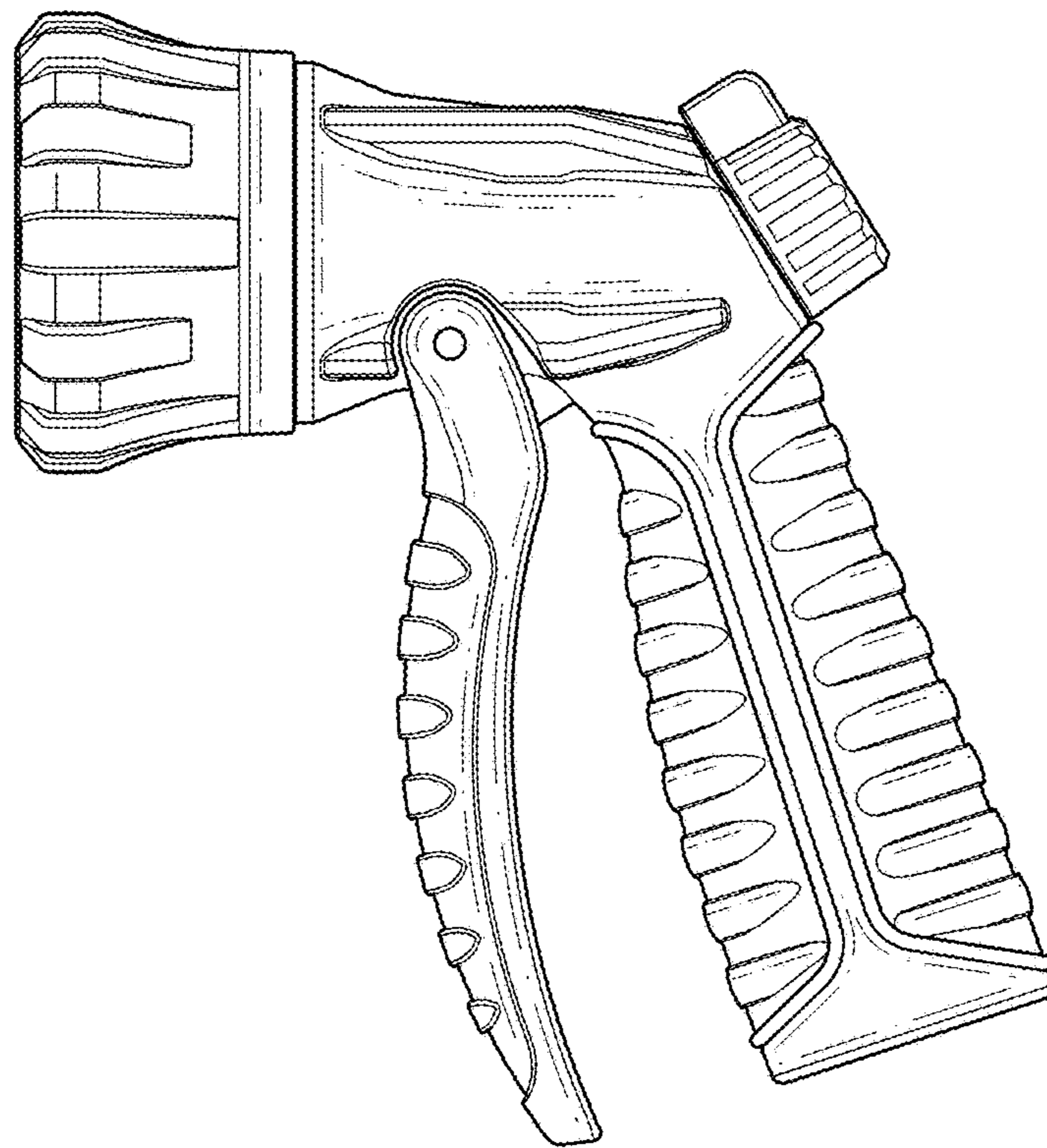


FIG. 2

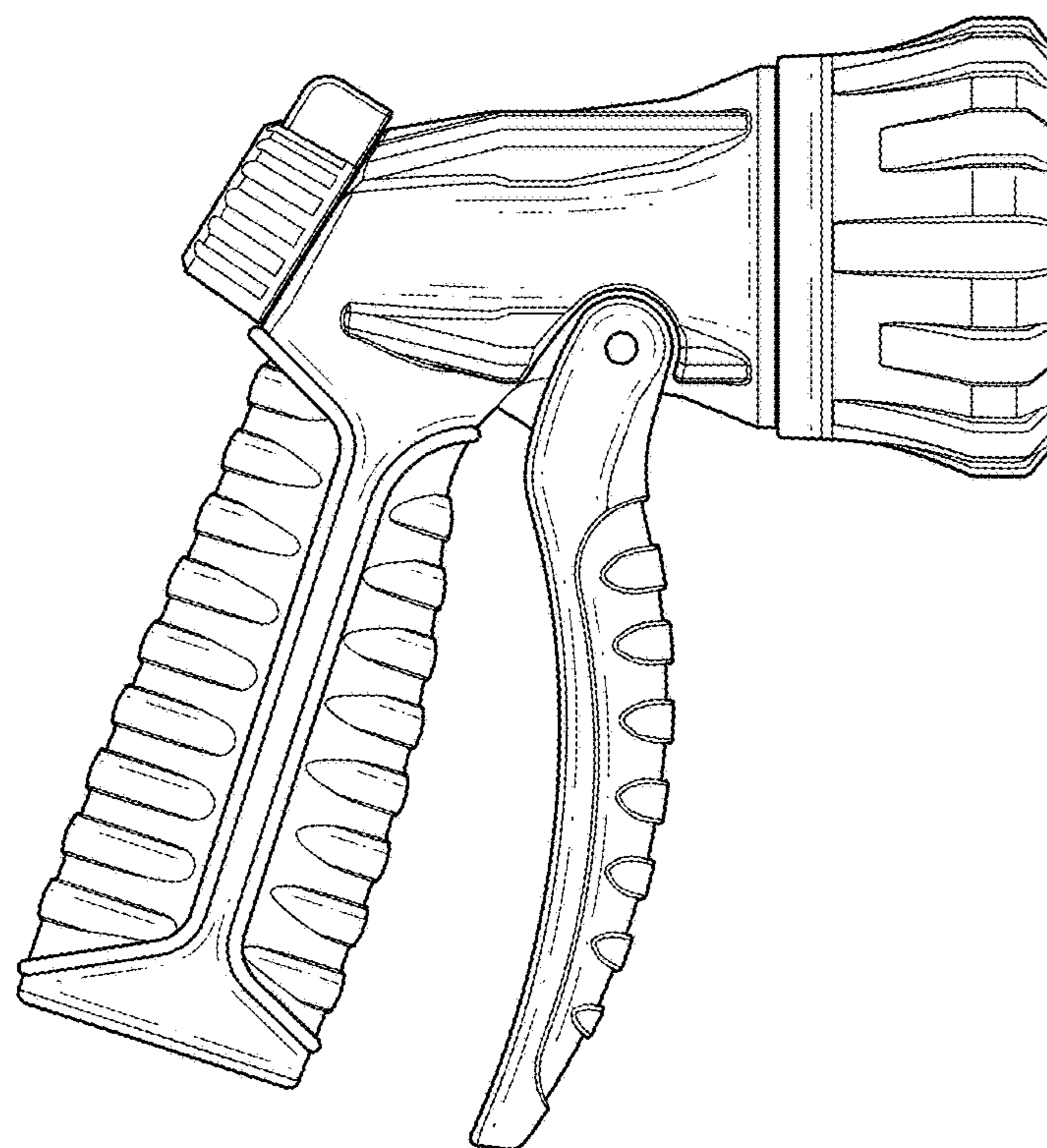


FIG. 3

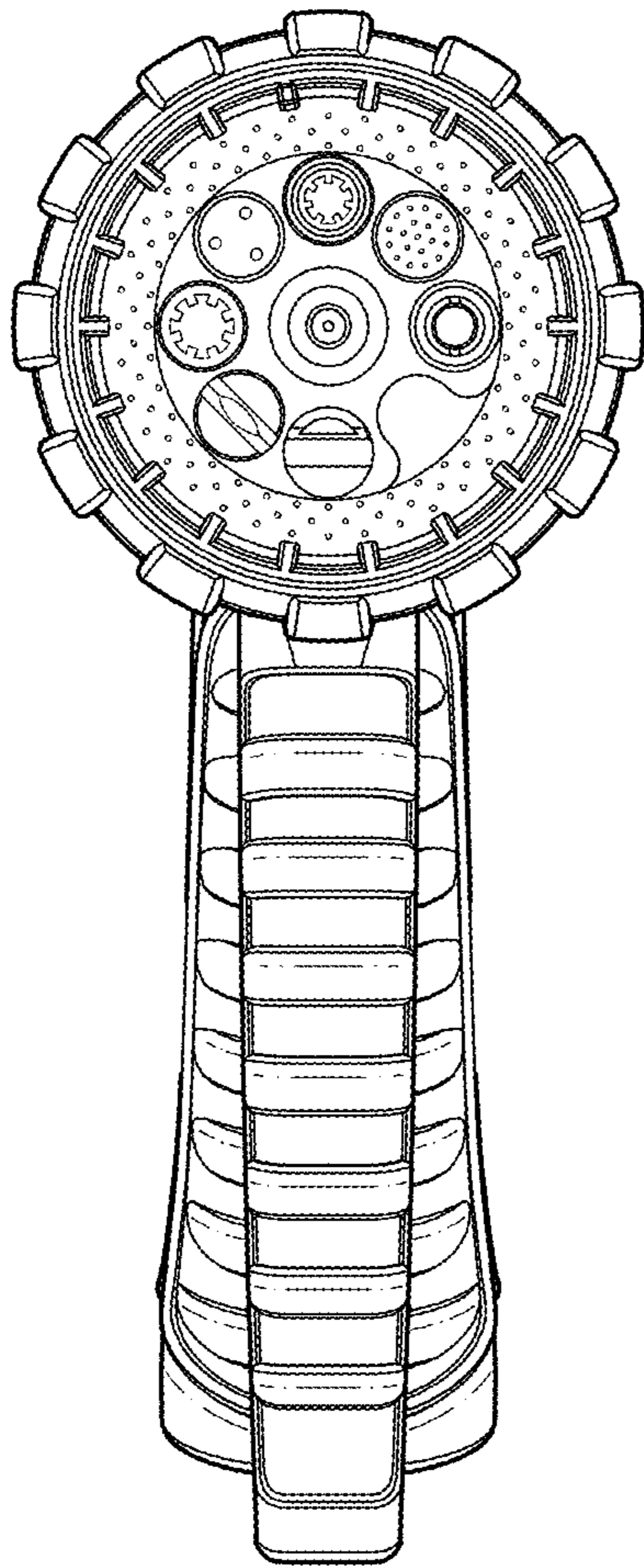


FIG. 4

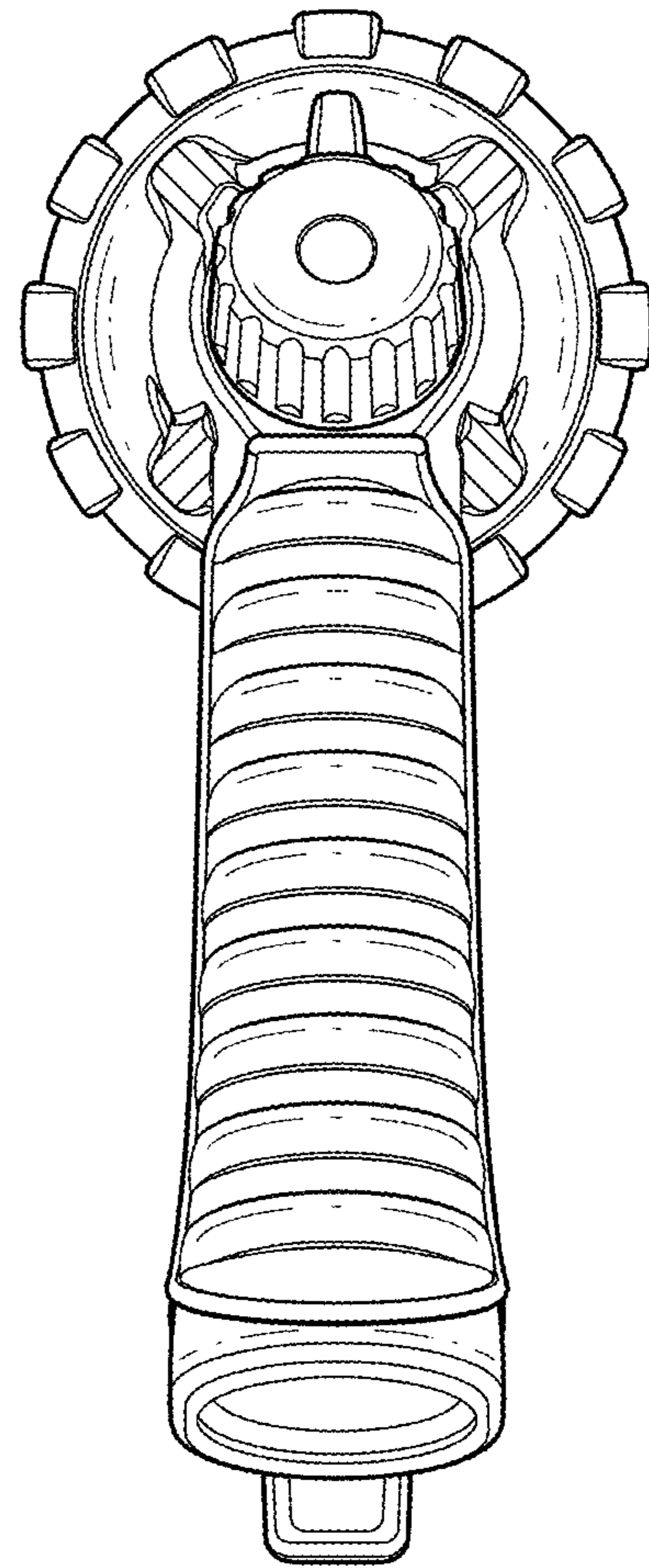


FIG. 5

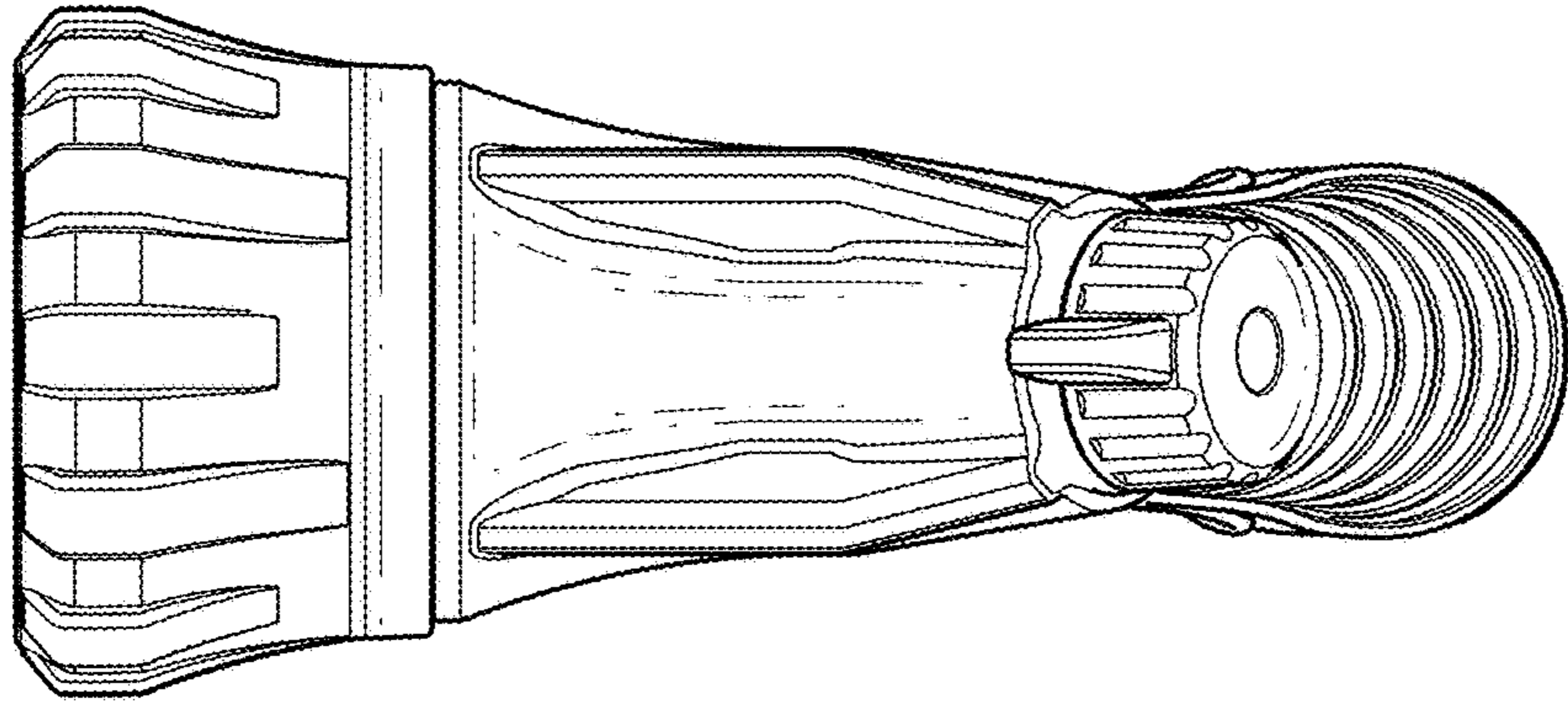


FIG. 6

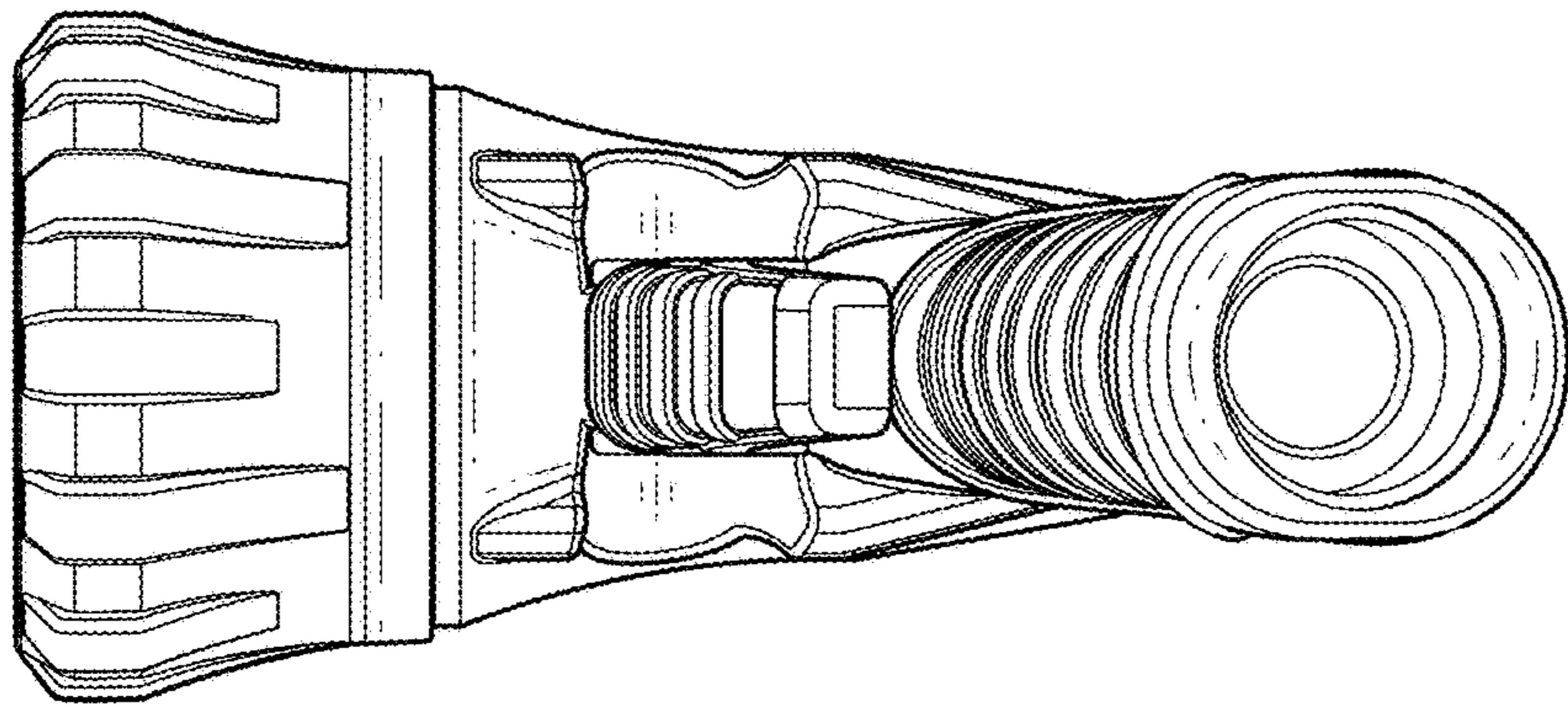


FIG. 7