



US00D783122S

(12) **United States Design Patent**  
**Chen**

(10) **Patent No.:** **US D783,122 S**

(45) **Date of Patent:** **\*\* Apr. 4, 2017**

(54) **WATER SPRAYER**

(71) Applicant: **Chin-Yuan Chen**, Changhua (TW)

(72) Inventor: **Chin-Yuan Chen**, Changhua (TW)

(73) Assignee: **Shin Tai Spurt Water of The Garden Tools Co. Ltd.**, Changhua (TW)

(\*\*) Term: **15 Years**

(21) Appl. No.: **29/551,486**

(22) Filed: **Jan. 13, 2016**

(51) **LOC (10) Cl.** ..... **23-01**

(52) **U.S. Cl.**  
USPC ..... **D23/226**

(58) **Field of Classification Search**  
USPC ..... D23/213, 223, 226; 239/526; 4/615  
CPC ..... B05B 9/01; B05B 7/02; B05B 12/002  
See application file for complete search history.

(56) **References Cited**

**U.S. PATENT DOCUMENTS**

D453,548 S \* 2/2002 Wang ..... D23/226  
D468,804 S \* 1/2003 Nien ..... D23/226

D469,850 S \* 2/2003 Nien ..... D23/226  
D475,122 S \* 5/2003 Kuo ..... D23/226  
D652,112 S \* 1/2012 Chen ..... D23/226  
D663,382 S \* 7/2012 Chen ..... D23/226  
D774,165 S \* 12/2016 Chen ..... D23/226

\* cited by examiner

*Primary Examiner* — Robin V Webster

(74) *Attorney, Agent, or Firm* — Che-Yang Chen; Law Offices of Scott Warmuth

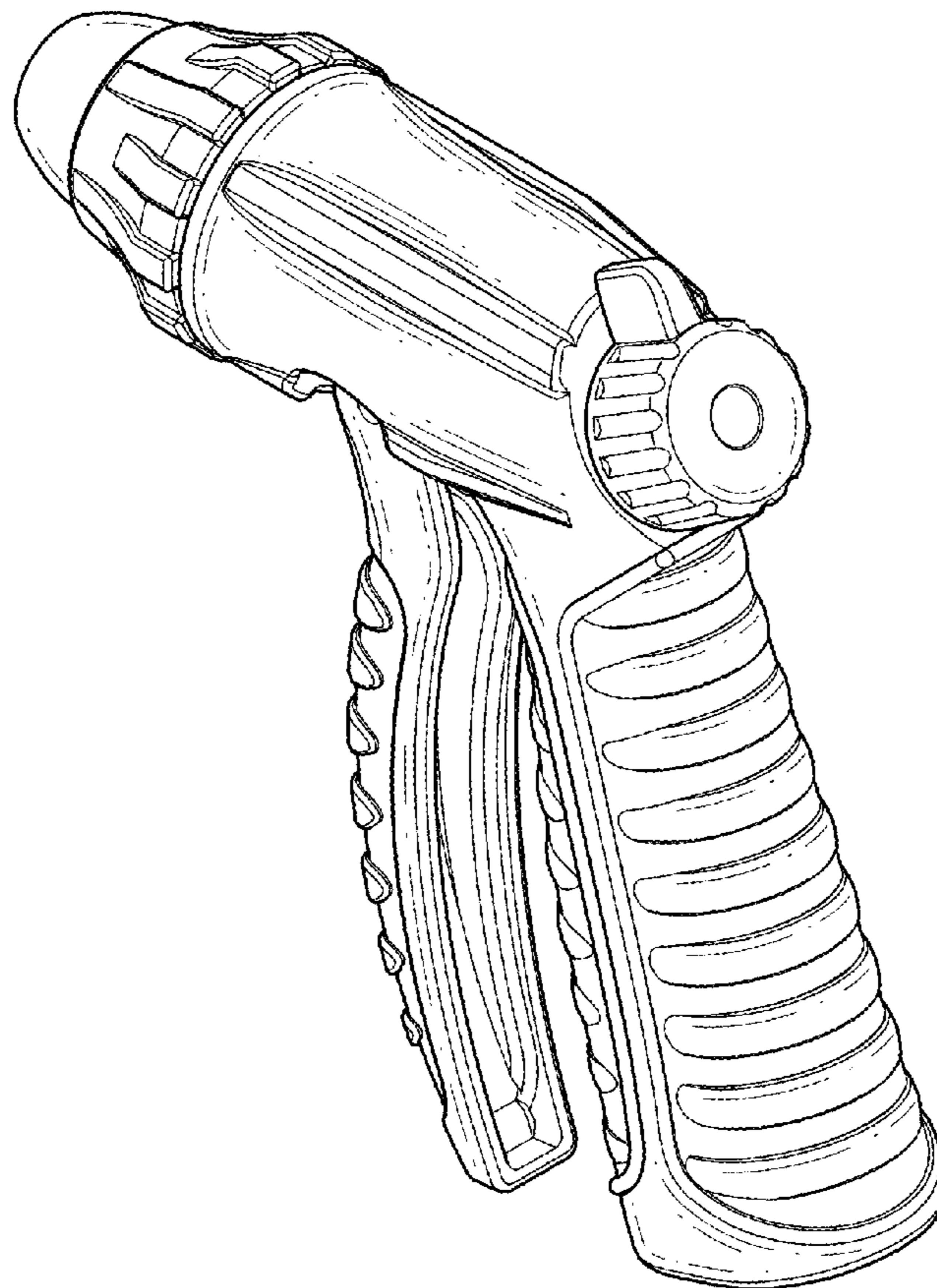
(57) **CLAIM**

The ornamental design for a water sprayer, as shown and described.

**DESCRIPTION**

FIG. 1 is a perspective view of a water sprayer showing my new design;  
FIG. 2 is a front elevational view thereof;  
FIG. 3 is a rear elevational view thereof;  
FIG. 4 is a left side elevational view thereof;  
FIG. 5 is a right side elevational view thereof;  
FIG. 6 is a top plan view thereof; and,  
FIG. 7 is a bottom plan view thereof.

**1 Claim, 4 Drawing Sheets**



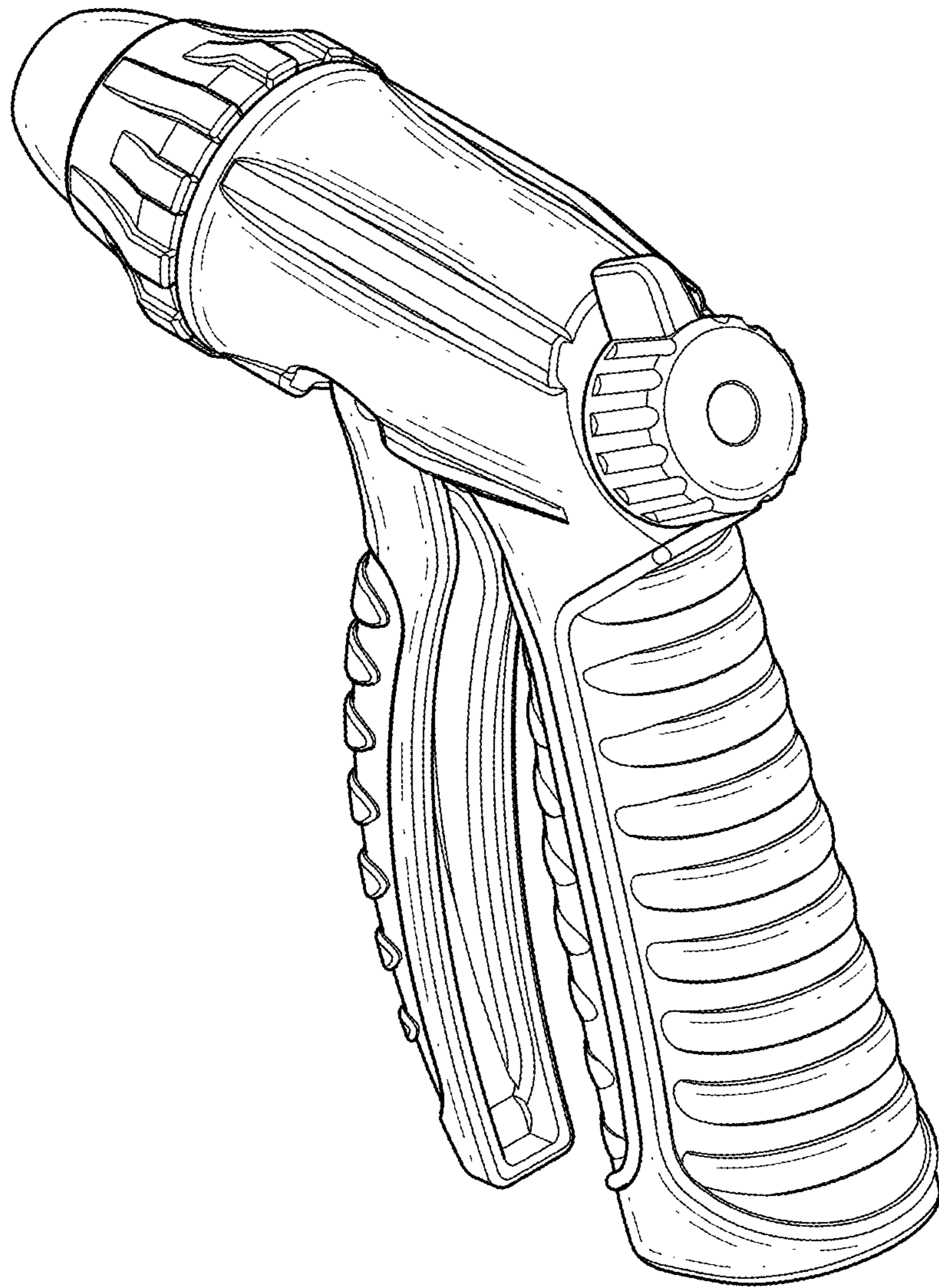


FIG. 1

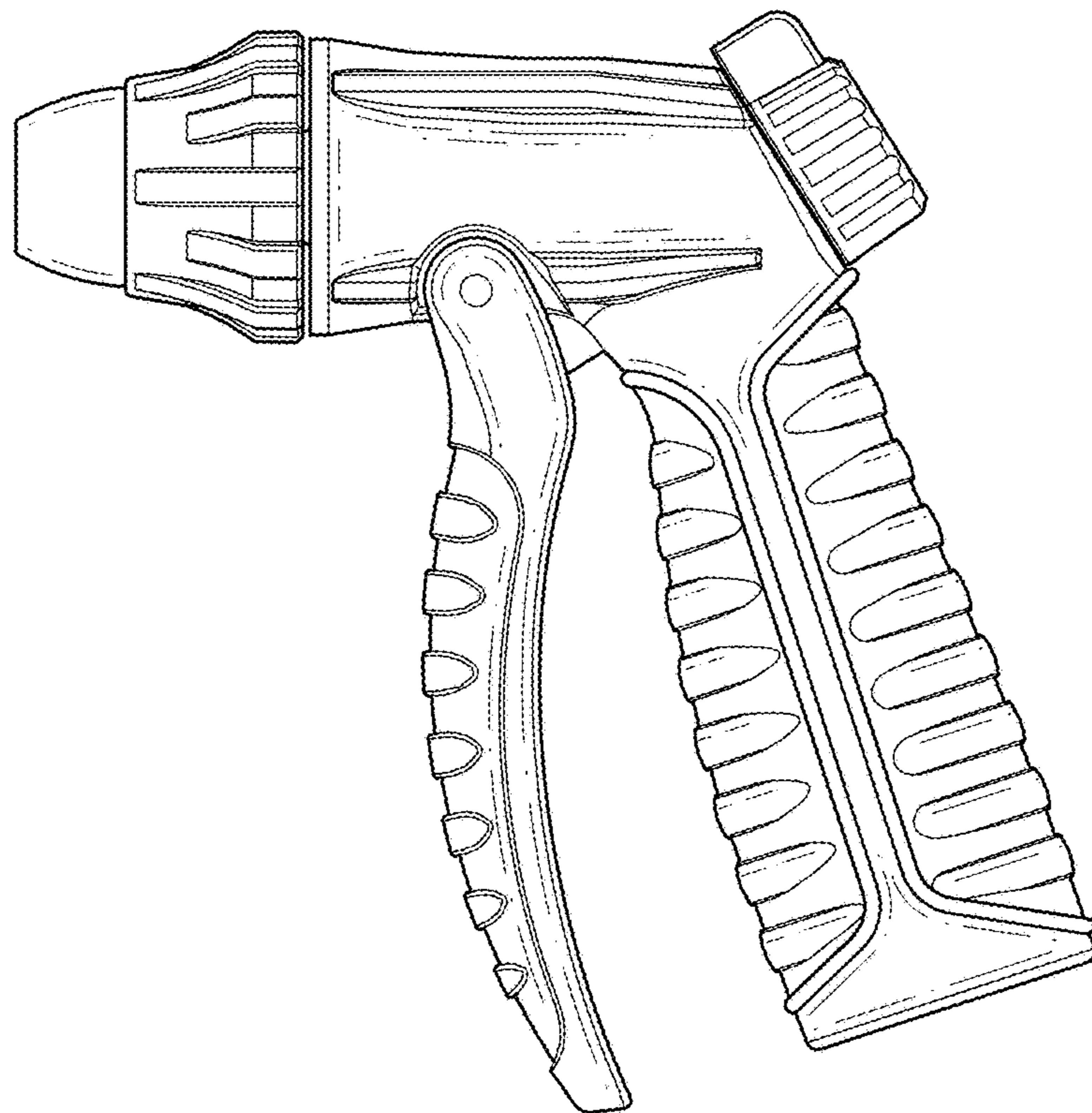


FIG. 2

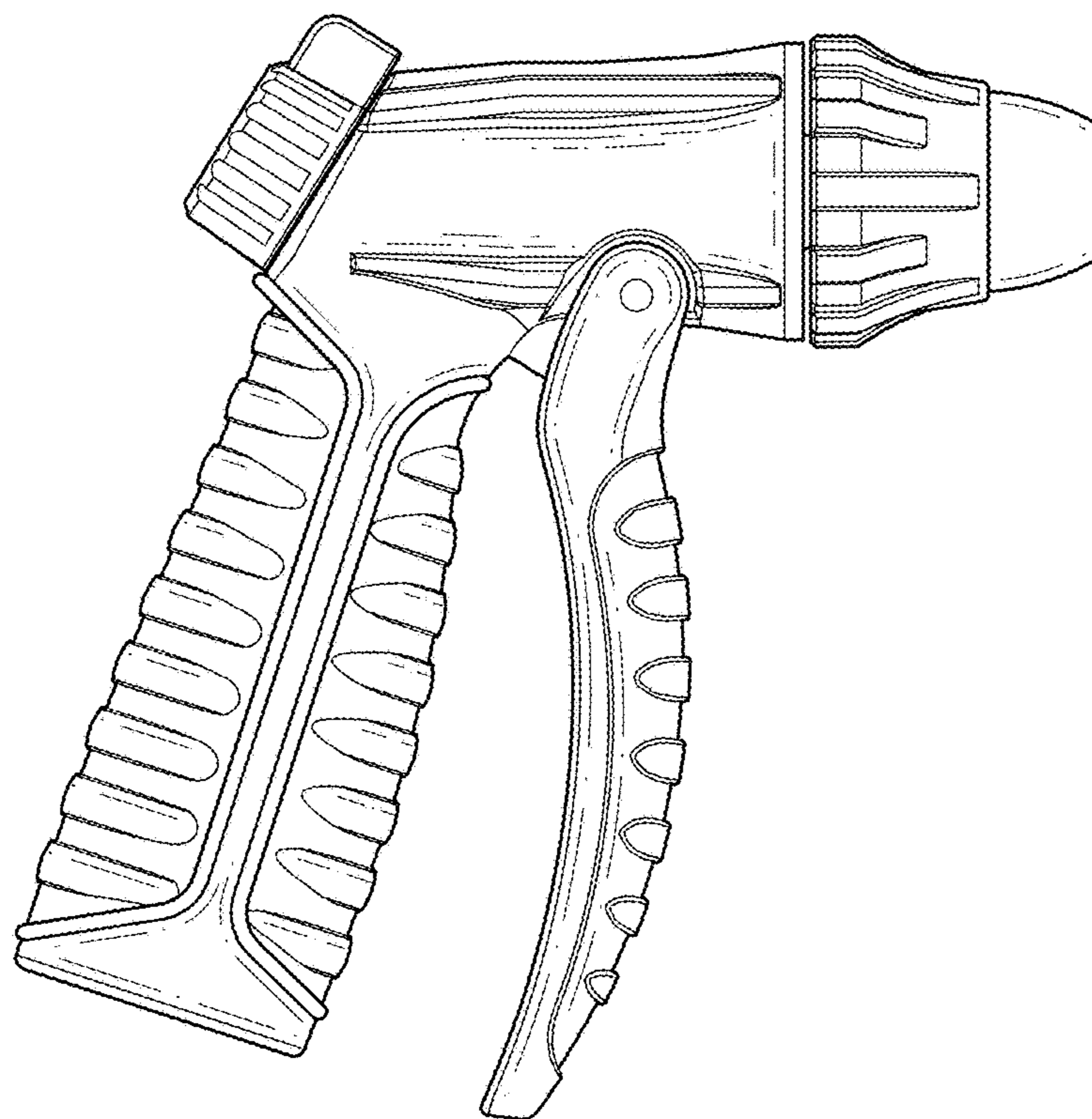


FIG. 3

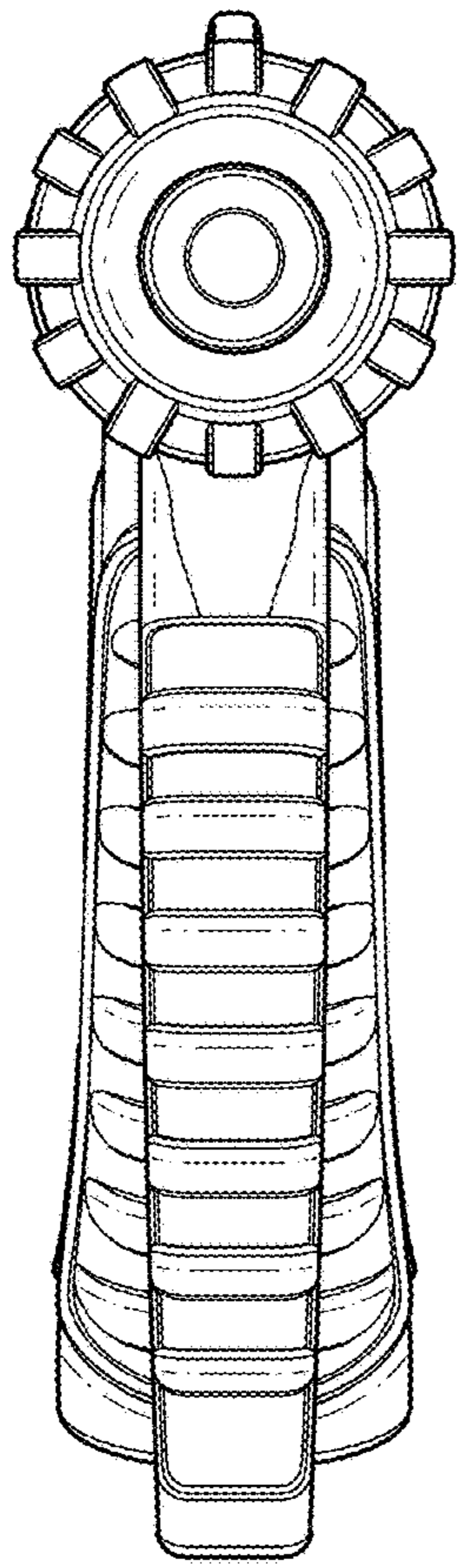


FIG. 4

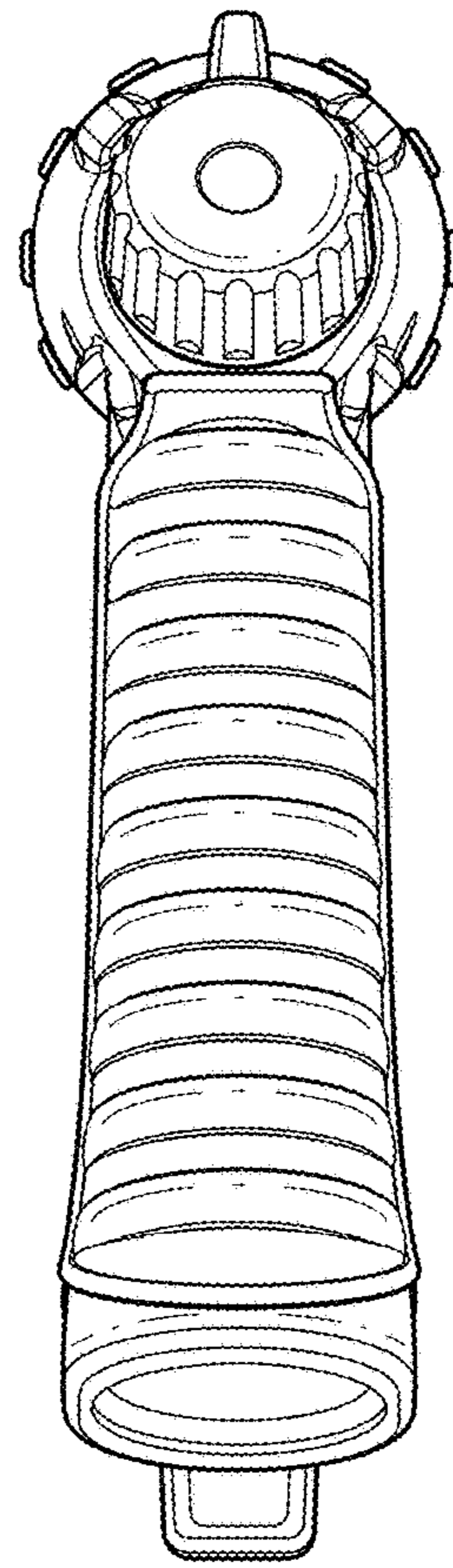


FIG. 5

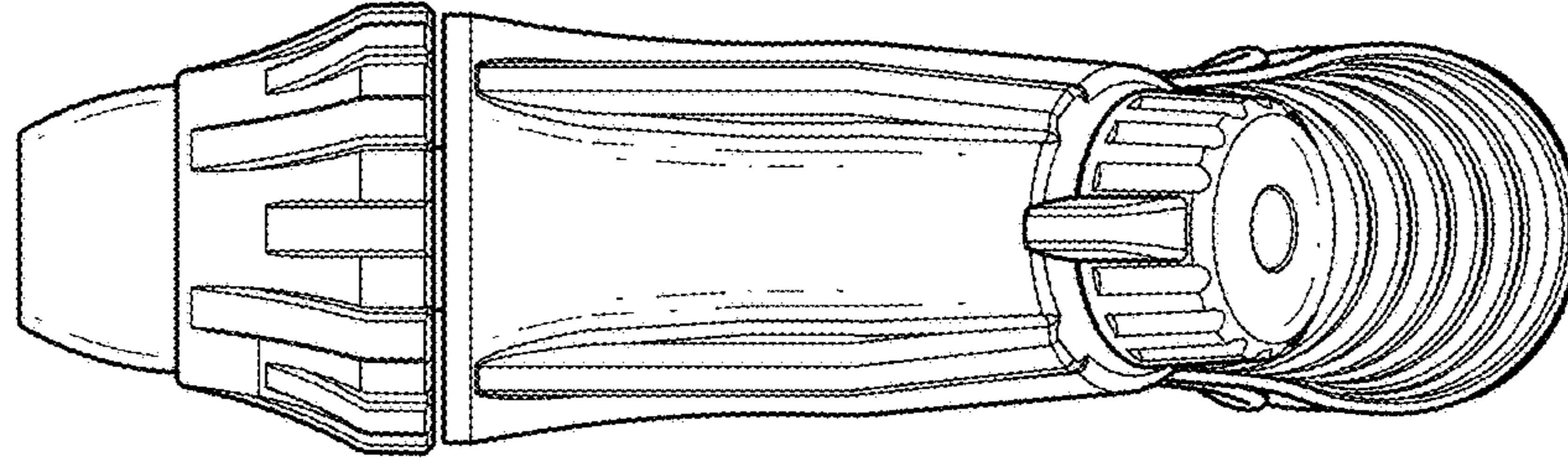


FIG. 6

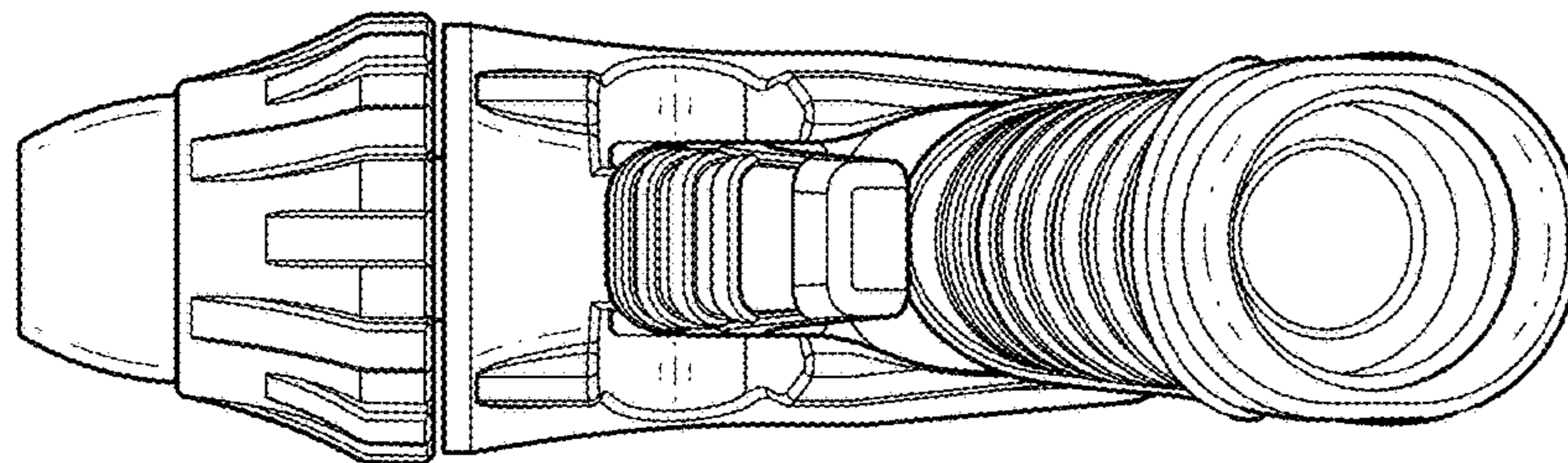


FIG. 7