



US00D783121S

(12) **United States Design Patent**  
**Cappuccio**

(10) **Patent No.:** **US D783,121 S**

(45) **Date of Patent:** **\*\* Apr. 4, 2017**

(54) **FLUID SEPARATOR LID**

D613,367 S \* 4/2010 Burt ..... D23/208  
D614,728 S \* 4/2010 Genord ..... D23/208  
D634,397 S \* 3/2011 Lautzenheiser ..... D23/207

(71) Applicant: **Louis W. Cappuccio**, Hammonton, NJ  
(US)

\* cited by examiner

(72) Inventor: **Louis W. Cappuccio**, Hammonton, NJ  
(US)

*Primary Examiner* — Robin V Webster

*Assistant Examiner* — Rachel Voorhies

(\*\*) Term: **15 Years**

(74) *Attorney, Agent, or Firm* — Stuart M. Goldstein

(21) Appl. No.: **29/552,159**

(57) **CLAIM**

The ornamental design for a fluid separator lid, as shown and described.

(22) Filed: **Jan. 20, 2016**

**DESCRIPTION**

(51) **LOC (10) Cl.** ..... **23-01**

(52) **U.S. Cl.**  
USPC ..... **D23/200**

(58) **Field of Classification Search**  
USPC ..... D23/223, 200, 208, 209, 225, 226, 207,  
D23/213; 219/232, 497; D5/32, 37  
CPC .. B05B 1/18; B05B 1/20; B05B 1/205; B01D  
17/00; B01D 61/025; B01D 635/30; C02F  
1/441; C02F 1/003; A47K 5/06; B67D  
7/0205

See application file for complete search history.

FIG. 1 is a top isometric view of the fluid separator lid of the present invention.

FIG. 2 is a bottom isometric view of the fluid separator lid of the present invention.

FIG. 3 is an elevation view of the fluid separator lid of the present invention.

FIG. 4 is another elevation view of the fluid separator lid of the present invention.

FIG. 5 is still another elevation view of the fluid separator lid of the present invention.

FIG. 6 is another elevation view of the fluid separator lid of the present invention.

FIG. 7 is a top plan view of the fluid separator lid of the present invention.

FIG. 8 is a bottom plan view of the fluid separator lid of the present invention; and,

FIG. 9 is an elevation view of the fluid separator lid of the present invention, corresponding to FIG. 3 in use condition showing context.

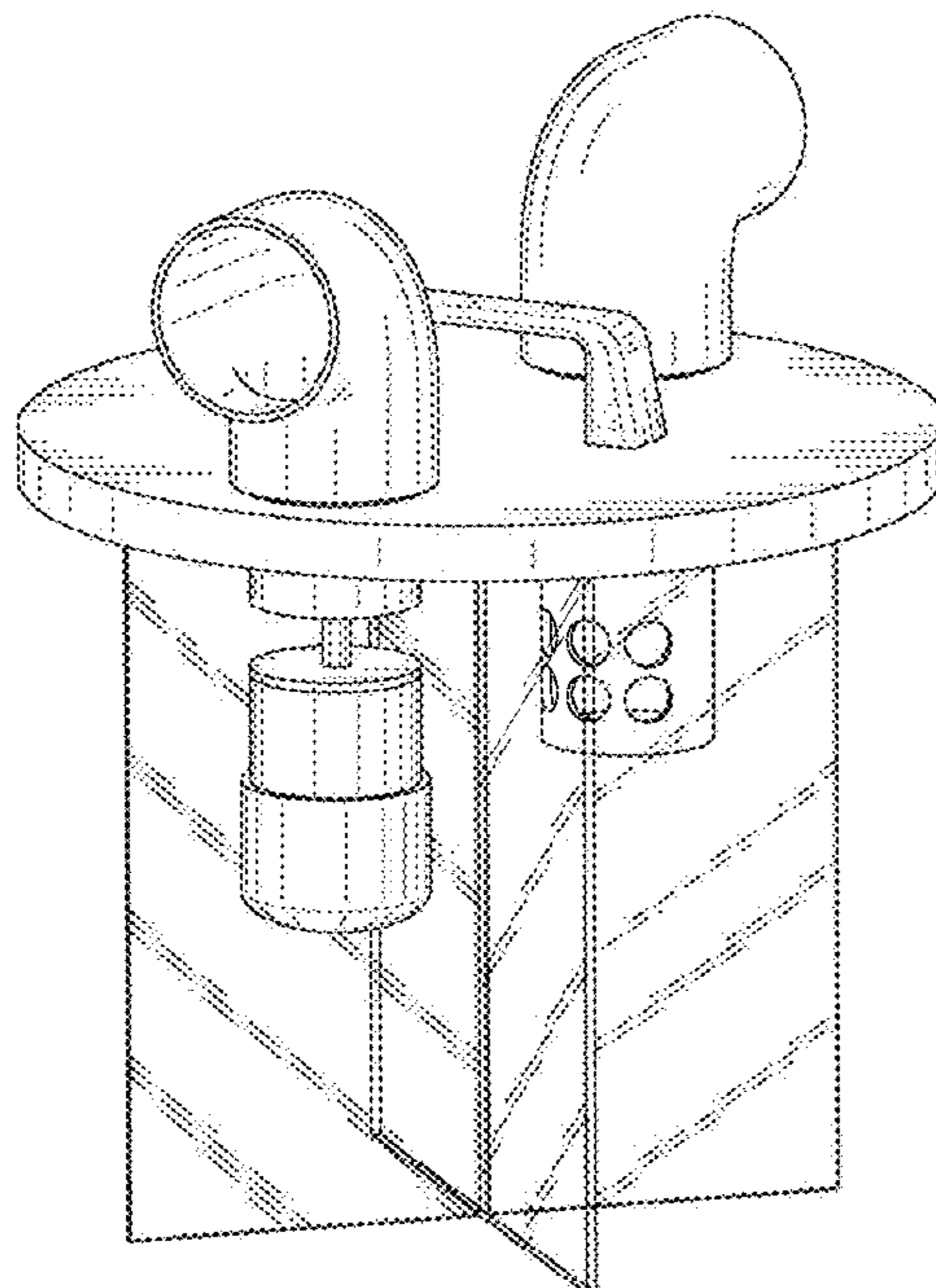
The broken lines are shown for environmental purposes only and form no part of the claimed design.

(56) **References Cited**

U.S. PATENT DOCUMENTS

D352,990 S	*	11/1994	Sparks	.....	D23/200
D355,701 S	*	2/1995	Willinger	.....	D23/209
D386,341 S	*	11/1997	Walker	.....	D23/303
D476,057 S	*	6/2003	Nguyen	.....	D23/208
D501,551 S	*	2/2005	Rand	.....	D24/110
D521,035 S	*	5/2006	de Leeuw	.....	D15/144
D579,077 S	*	10/2008	Quintel	.....	D23/209
D591,825 S	*	5/2009	Quintel	.....	D23/209
D605,248 S	*	12/2009	Genord	.....	D23/208
D605,729 S	*	12/2009	Burt	.....	D23/208

**1 Claim, 9 Drawing Sheets**



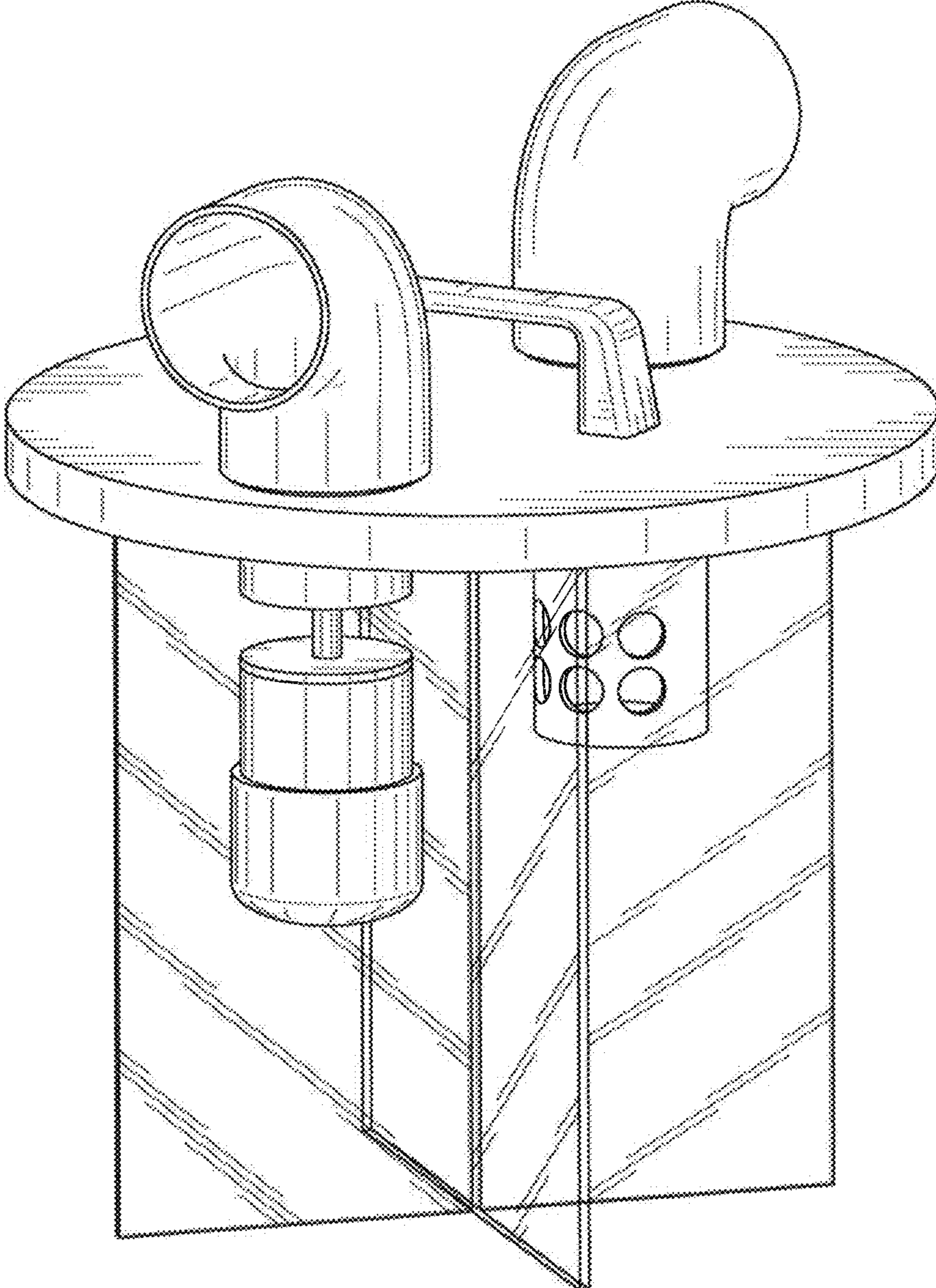


FIG. 1

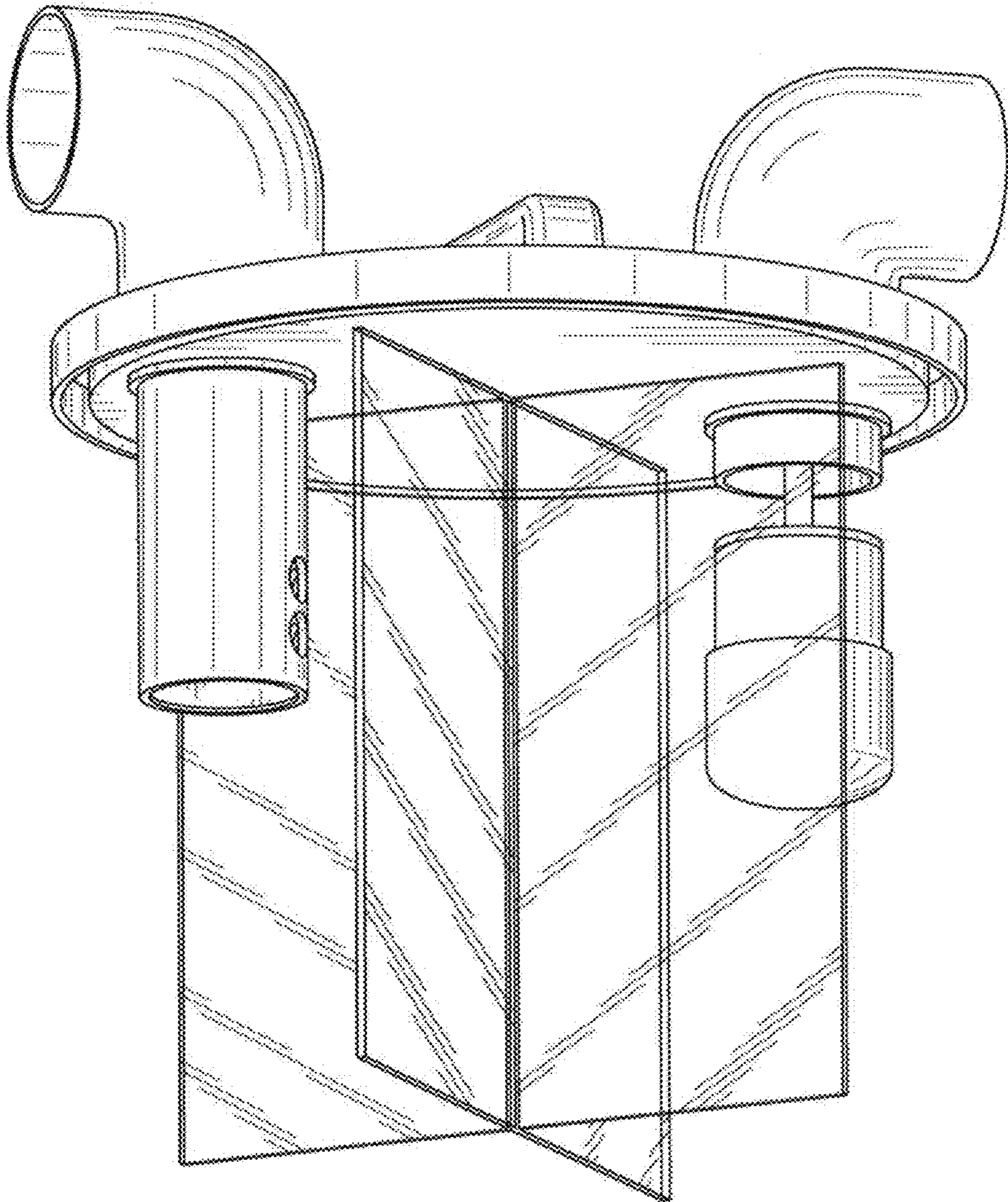


FIG. 2

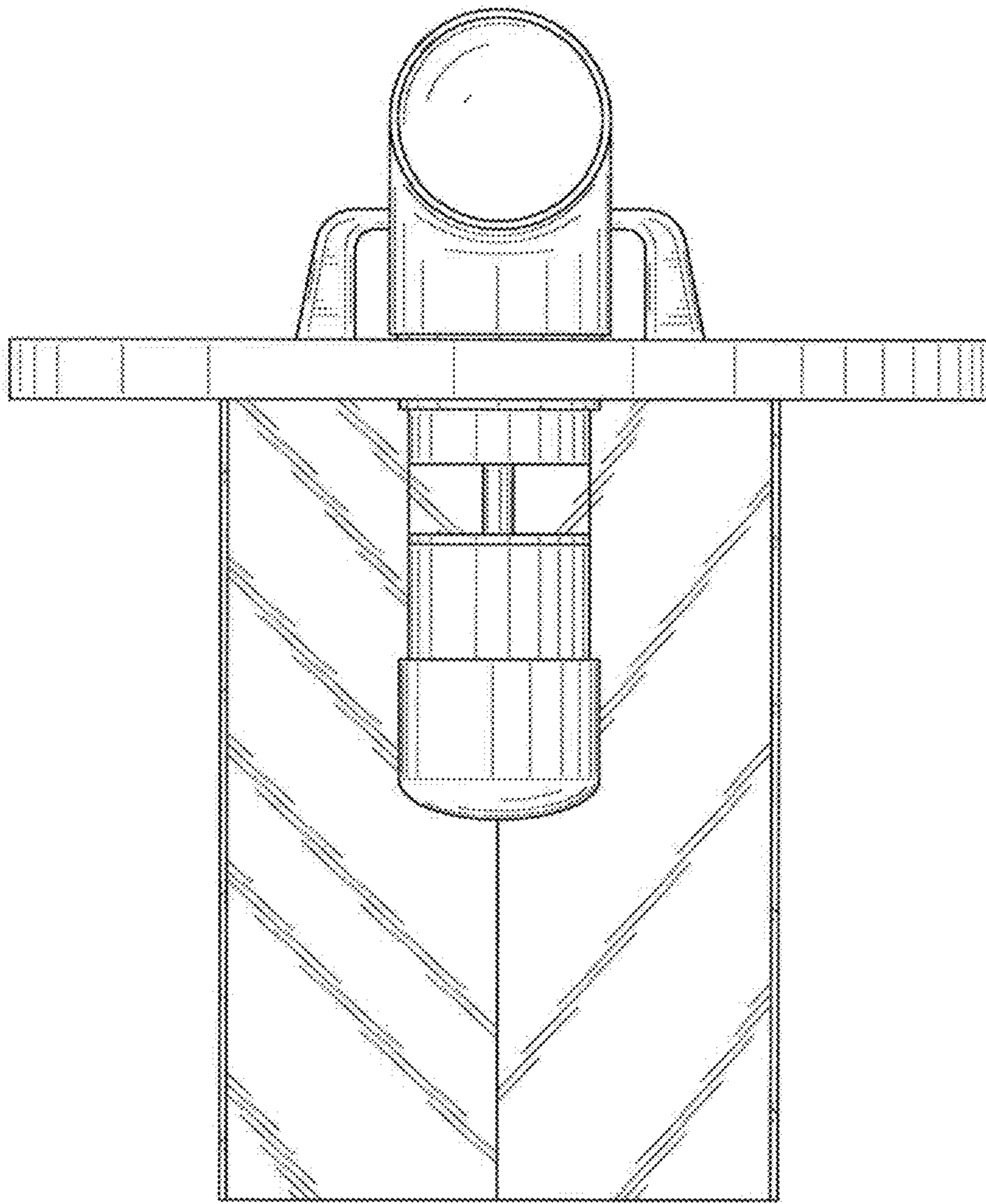


FIG. 3

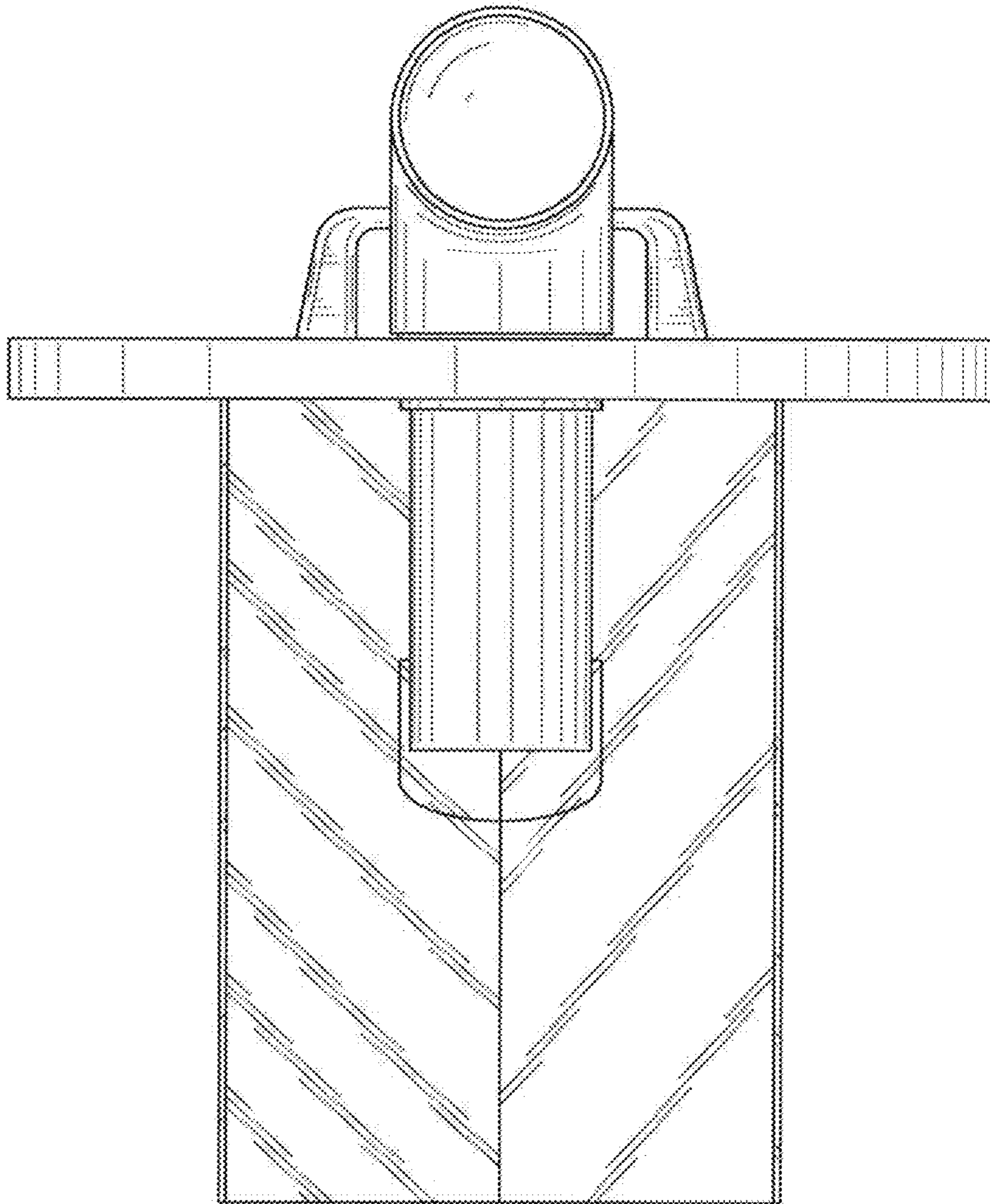


FIG. 4

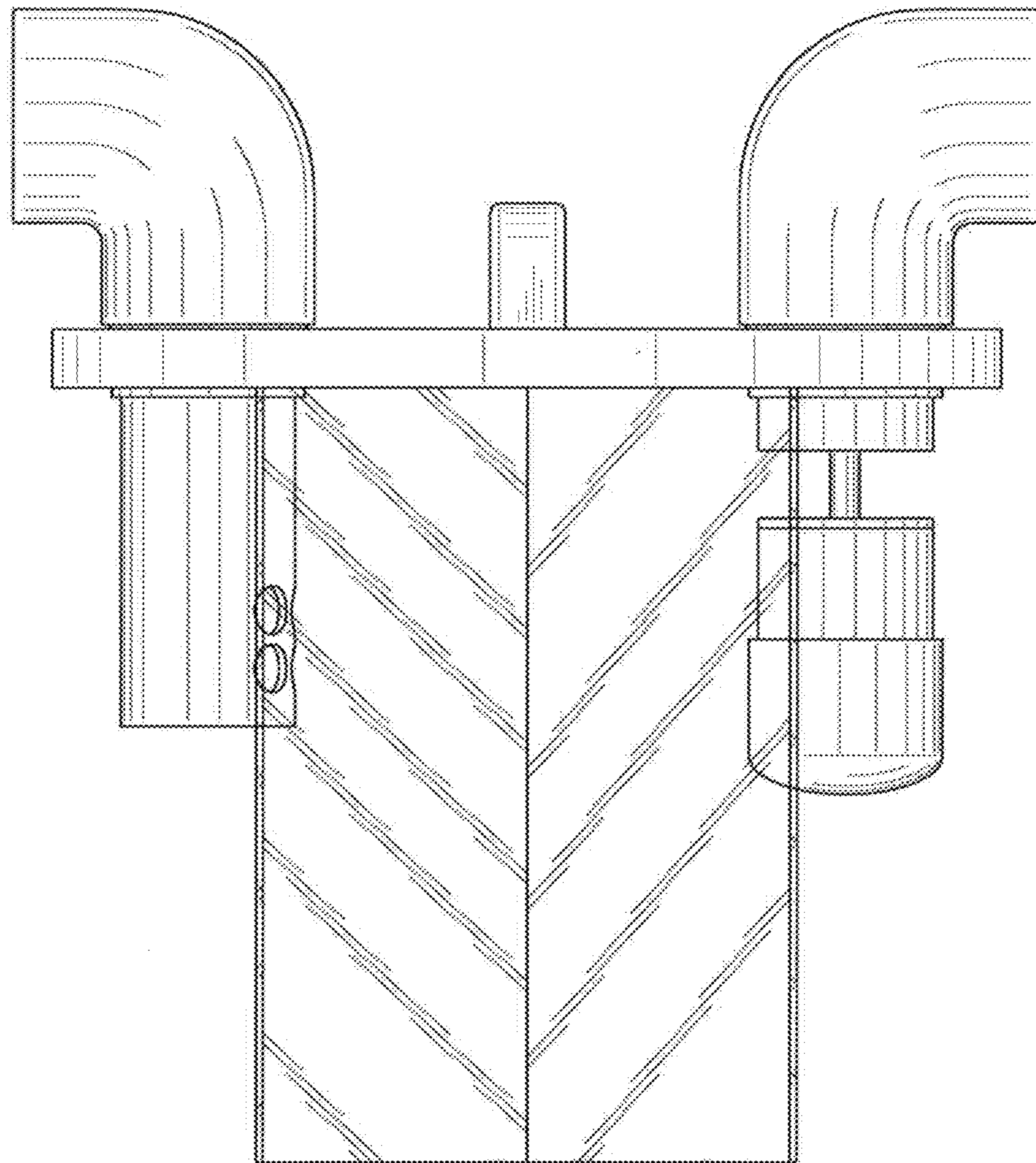


FIG. 5

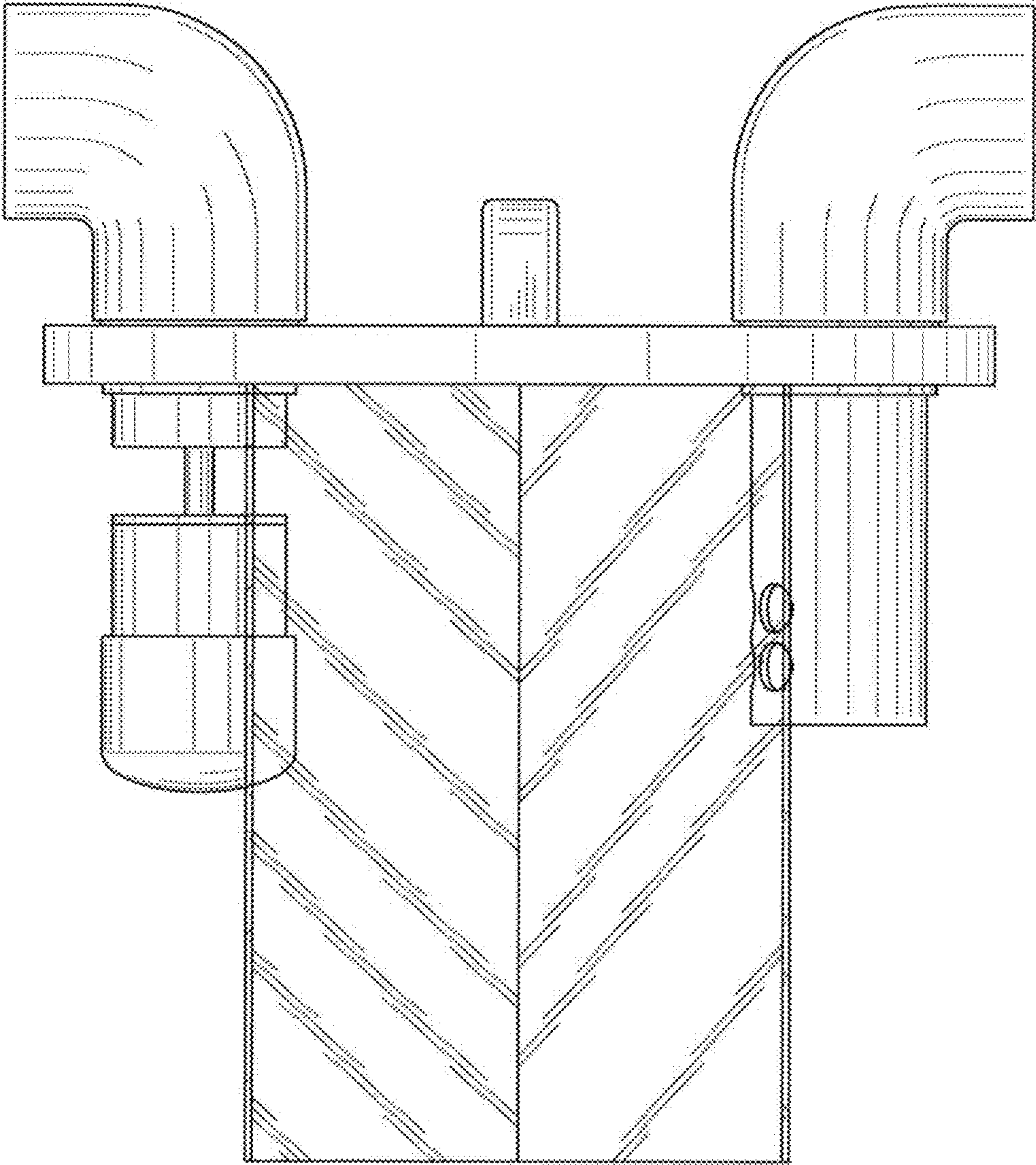


FIG. 6

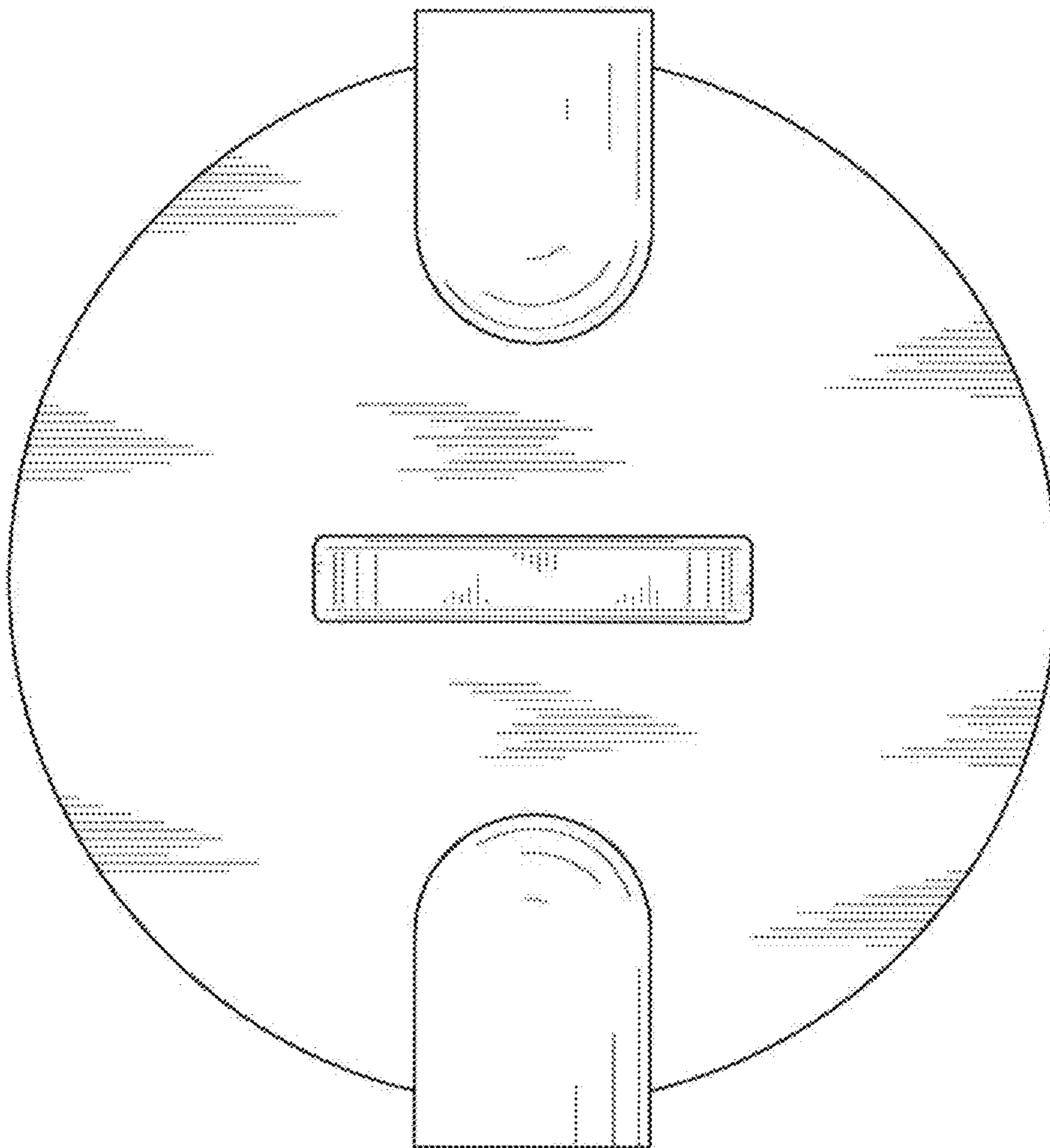


FIG. 7



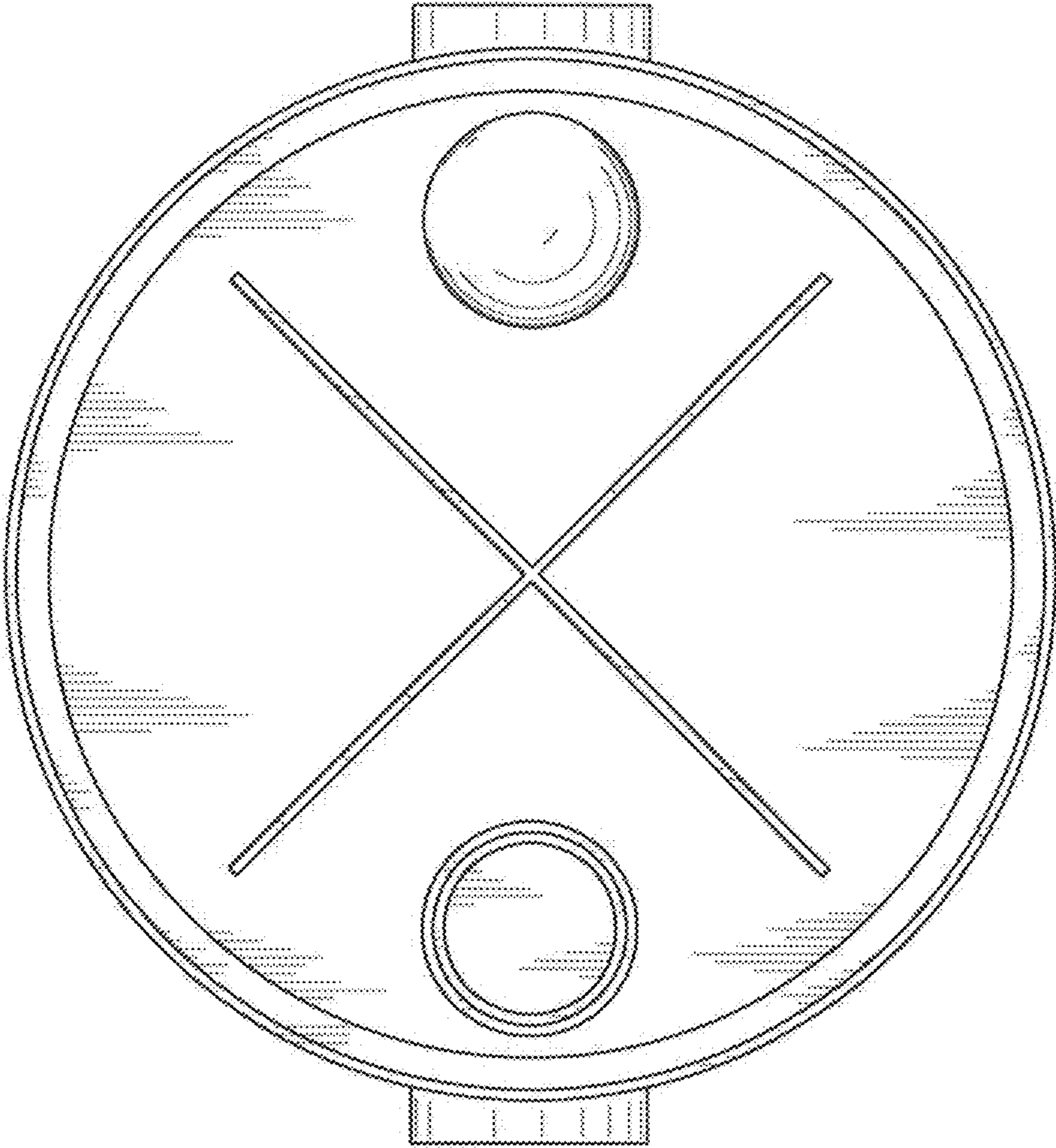


FIG. 8

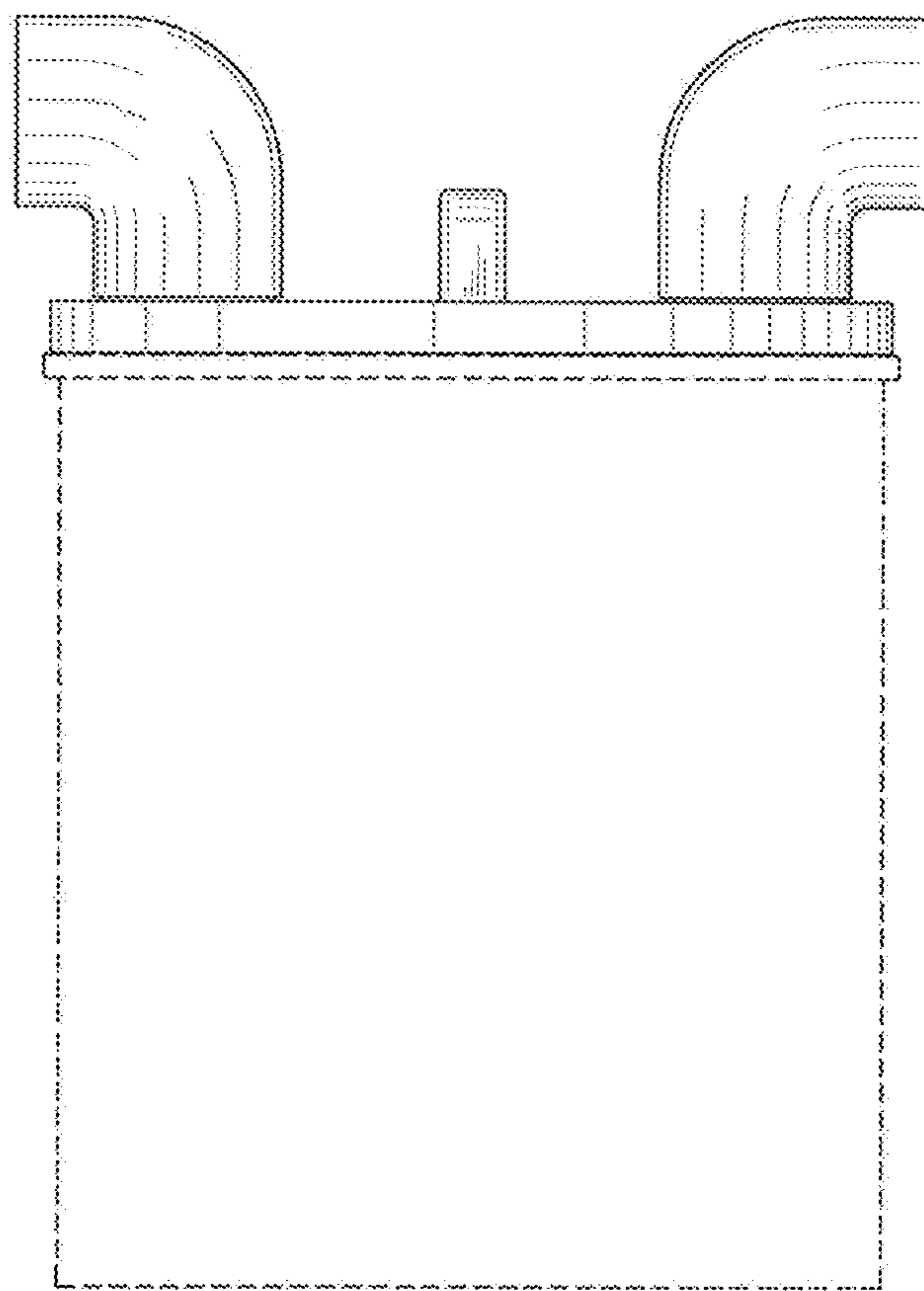


FIG. 9